



US00D781833S

(12) **United States Design Patent**
Daniels et al.

(10) **Patent No.:** **US D781,833 S**
(45) **Date of Patent:** **** Mar. 21, 2017**

(54) **PHONE CASE**

7/32; B65D 85/00; B65D 19/00; G03B
17/02

(71) Applicant: **iCradle GmbH**, Frankfurt (DE)

See application file for complete search history.

(72) Inventors: **Micha Daniels**, Darmstadt (DE); **Alex Erdwiens**, Darmstadt (DE)

(56) **References Cited**

(73) Assignee: **COBI GmbH**, Frankfurt (DE)

U.S. PATENT DOCUMENTS

(**) Term: **15 Years**

D574,819 S * 8/2008 Andre D3/269
D669,054 S * 10/2012 Han D14/138 G
D677,249 S * 3/2013 Li D14/250

(Continued)

(21) Appl. No.: **29/528,189**

FOREIGN PATENT DOCUMENTS

(22) Filed: **May 27, 2015**

EM 002586750-0001 12/2014

(30) **Foreign Application Priority Data**

Primary Examiner — Freda S Nunn

Nov. 27, 2014 (EM) 002 586 750-0001

(74) *Attorney, Agent, or Firm* — SoCal IP Law Group
LLP; M. Kala Sarvaiya; Steven C. Sereboff

(51) **LOC (10) Cl.** **14-03**

(57) **CLAIM**

(52) **U.S. Cl.**

The ornamental design for a phone case, as shown and described.

USPC **D14/250**

DESCRIPTION

(58) **Field of Classification Search**

USPC D14/250, 341-347, 130, 138 C, 138 G,
D14/138 R, 138 AA, 147, 203.1, 203.3,
D14/203.7, 204.4, 218, 248

A portion of the disclosure of this patent document contains material to which a claim for copyright is made. The copyright owner has no objection to the facsimile reproduction by anyone of the patent document or the patent disclosure, as it appears in the Patent and Trademark Office patent file or records, but reserves all other copyright rights whatsoever.

CPC A45C 1/06; A45C 11/00; A45C 2011/002;
A45F 2200/0525; A45F 2200/0516; A45F
5/02; G06F 1/165; G06F 1/1613; G06F
1/1624; G06F 1/1626; G06F 3/0485;
G06F 3/0488; G06F 1/1632; G06F
1/1607; G06F 1/1628; H04B 1/3888;
H04B 1/00; H04B 1/3883; H04M 1/0202;
H04M 1/0283; H04M 1/185; H04M 1/00;
H04M 1/0214; H04M 1/035; H04M 1/04;
H01M 10/46; H01M 2/1022; H05K
5/0217; H05K 5/03; H05K 7/00; H05K
5/0086; B29C 45/1676; H02J 7/00; H04Q

FIG. 1 is a front, bottom and left side perspective view of a phone case.

FIG. 2 is a rear, bottom and left side perspective view thereof;

FIG. 3 is a front elevation view thereof;

FIG. 4 is a rear elevation view thereof;

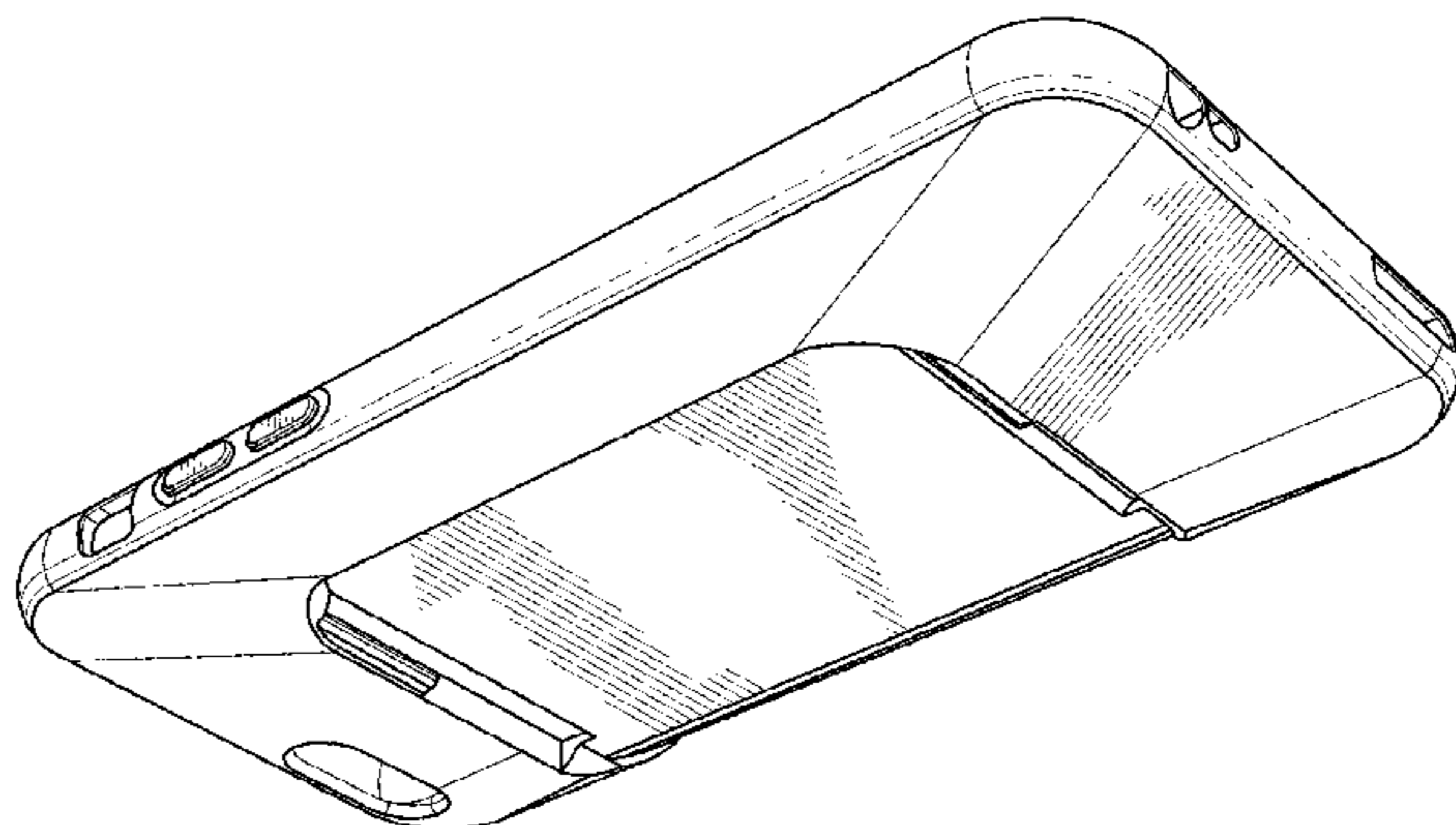
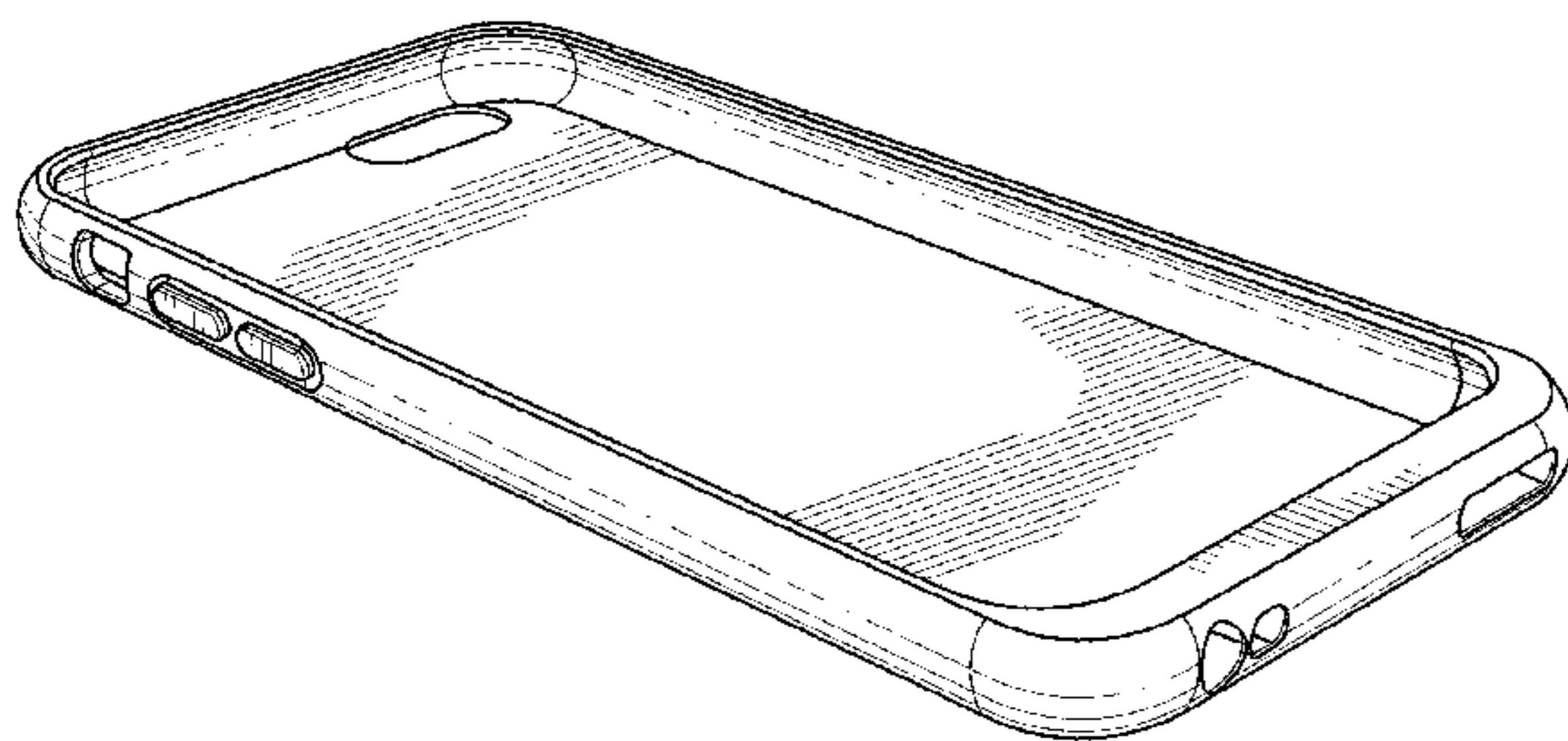
FIG. 5 is a right side elevation view thereof;

FIG. 6 is left side elevation view thereof;

FIG. 7 is a top elevation view thereof; and,

FIG. 8 is a bottom elevation view thereof.

(Continued)



Broken lines shown in the drawings represent environment only and form no part of the claimed design.

1 Claim, 4 Drawing Sheets

(56) **References Cited**

U.S. PATENT DOCUMENTS

D687,802 S *	8/2013	Jeong	D14/138 G
D694,741 S *	12/2013	Kim	D14/250
D703,175 S *	4/2014	Park	D14/138 G
D740,798 S *	10/2015	Poon	D14/250
2010/0203931 A1 *	8/2010	Hynecek	A45C 11/00
			455/575.8
2012/0303520 A1 *	11/2012	Huang	H01M 10/46
			705/39

* cited by examiner

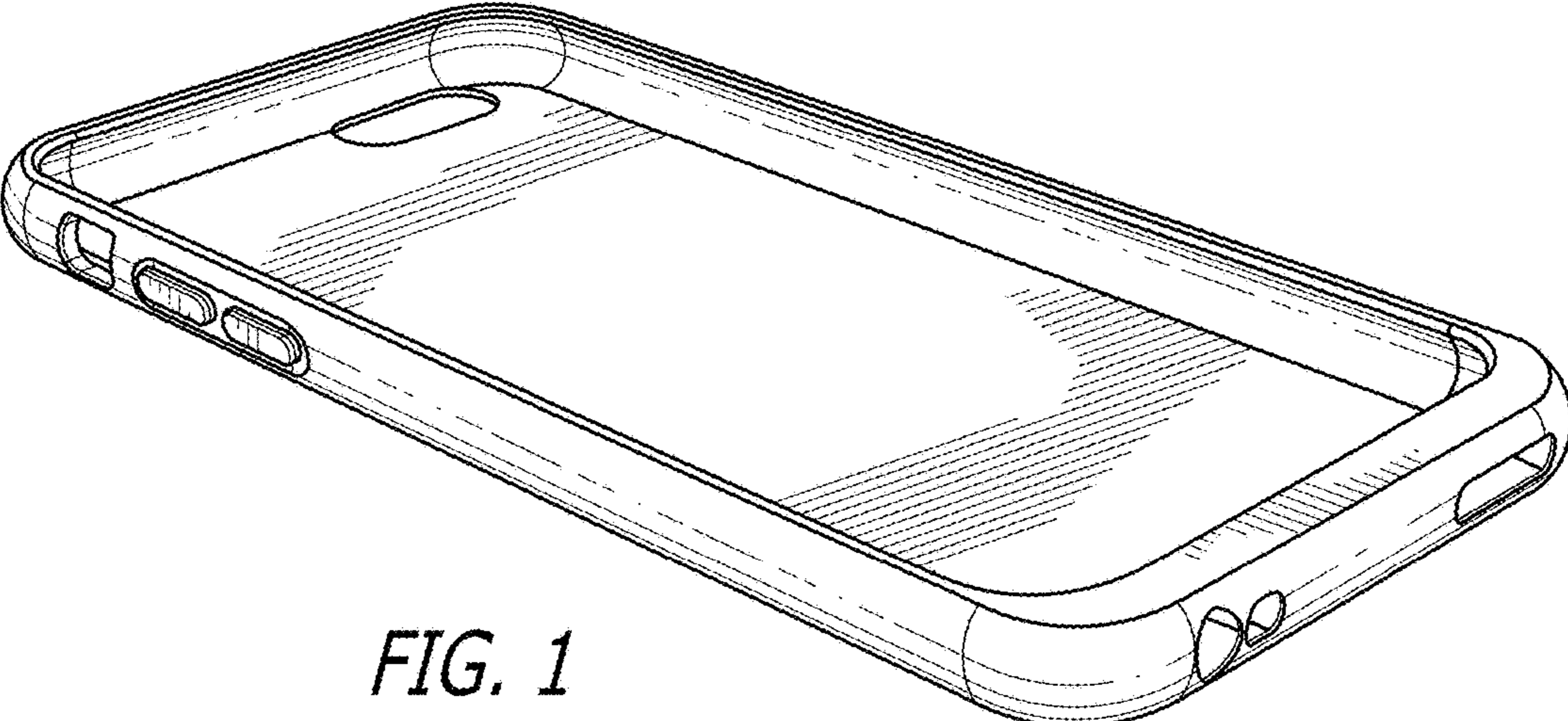


FIG. 1

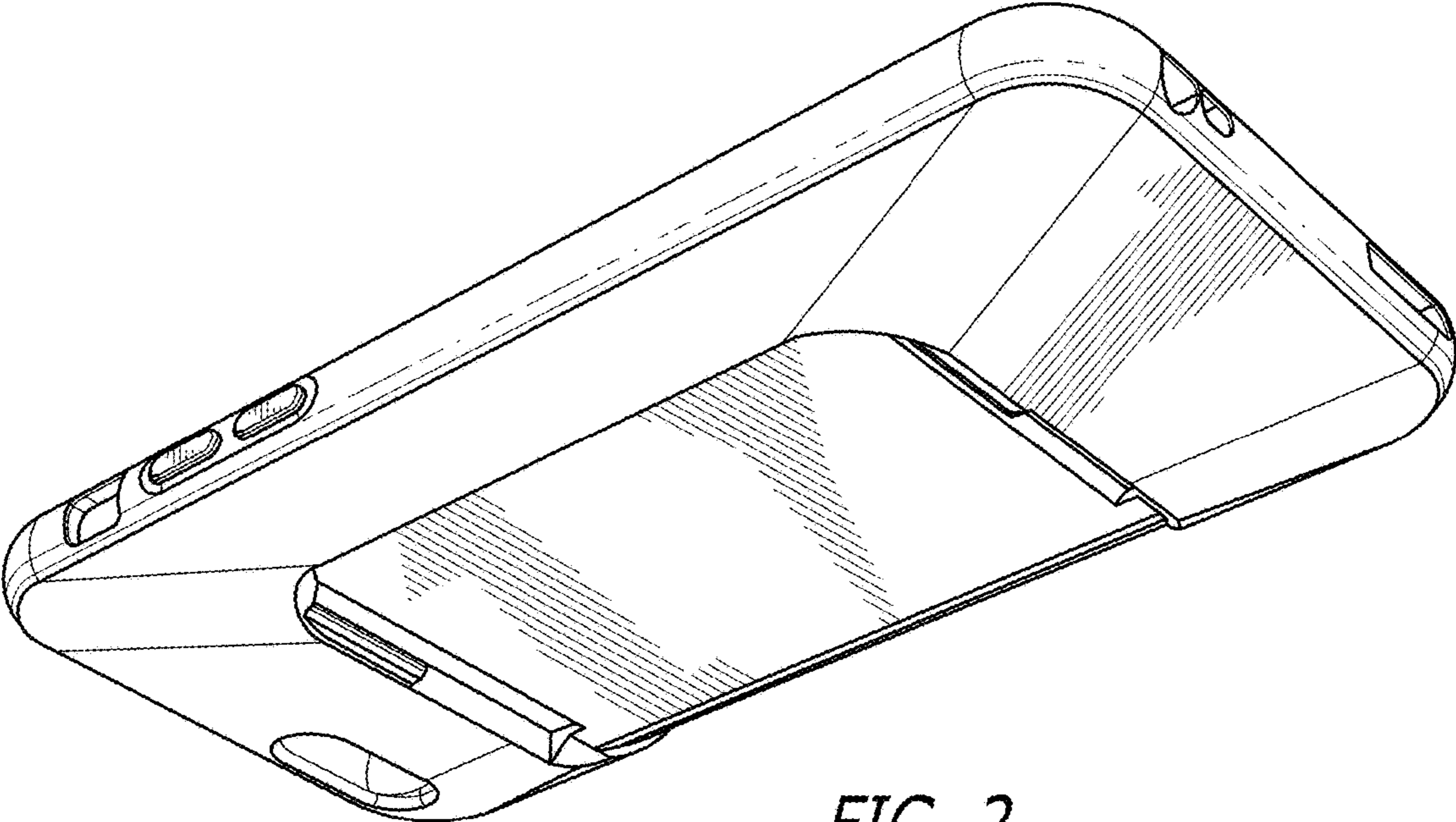


FIG. 2

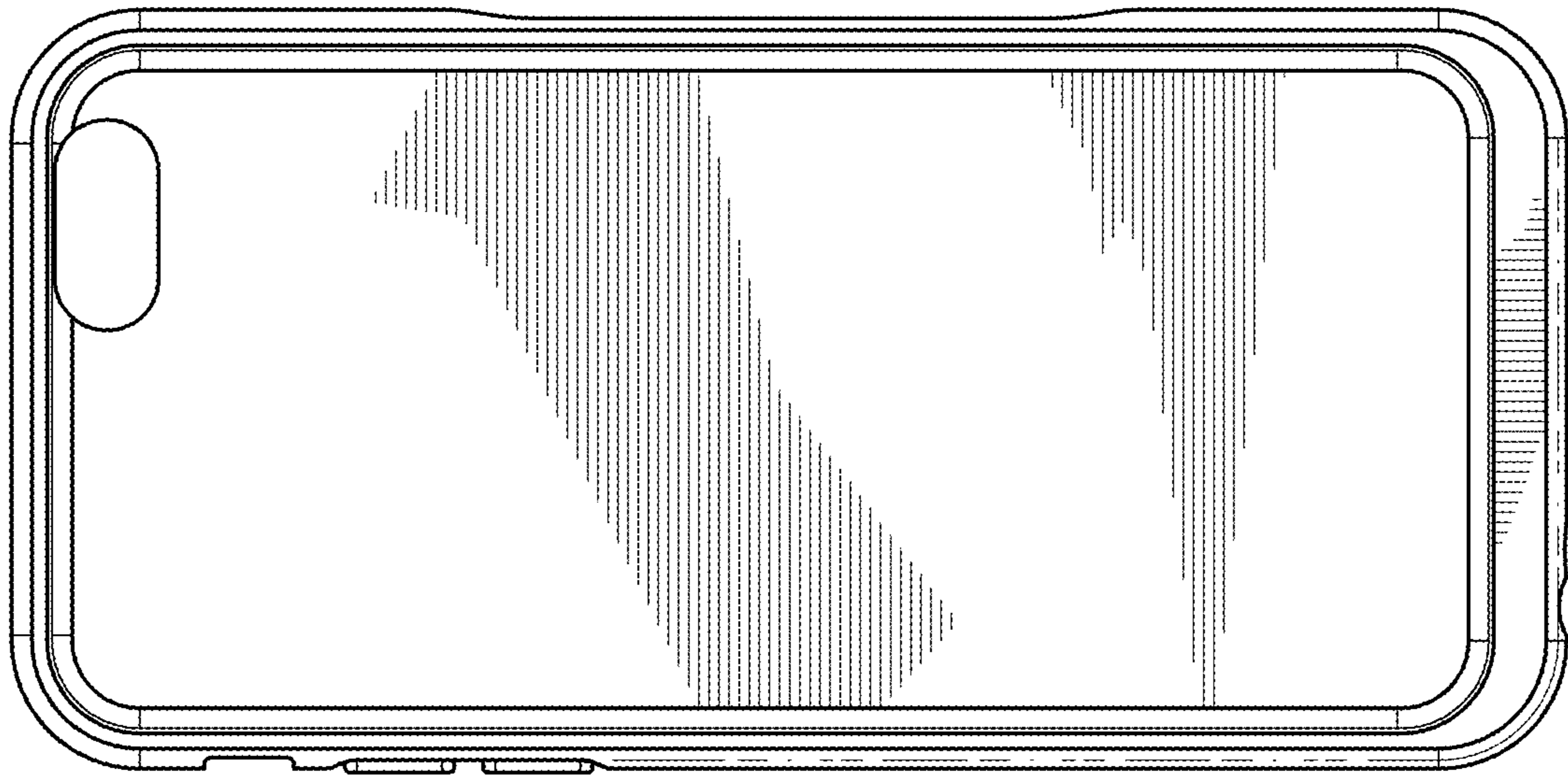


FIG. 3

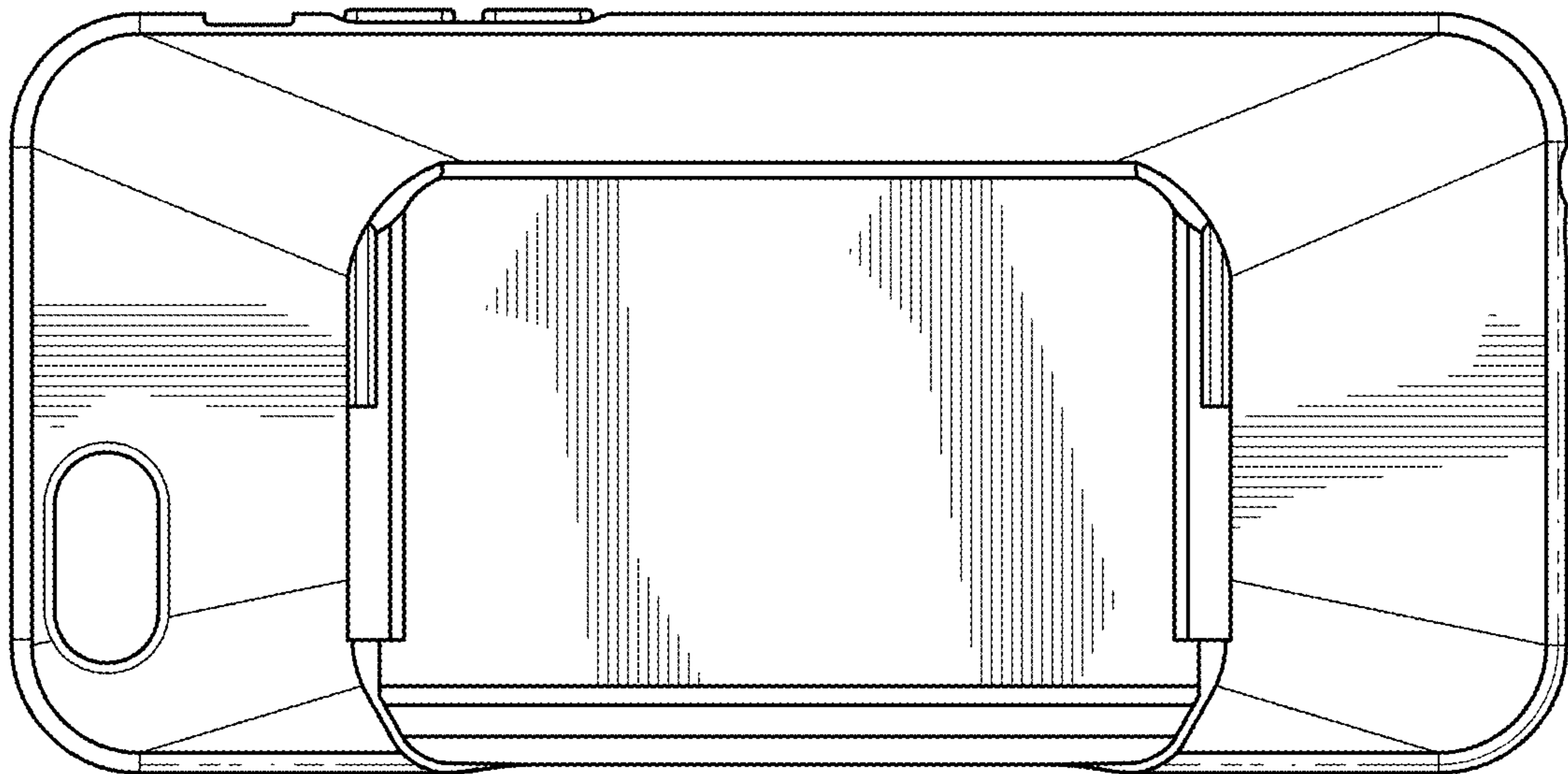


FIG. 4

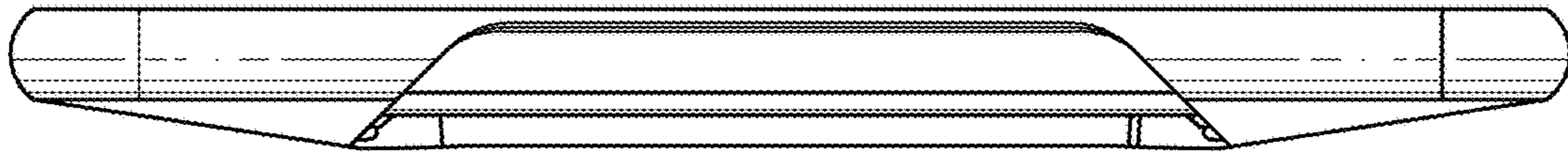


FIG. 5

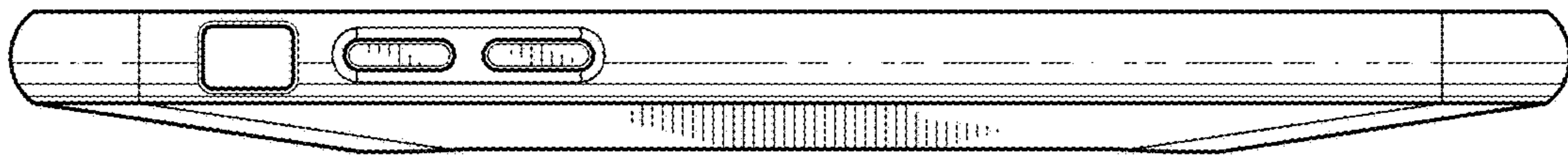


FIG. 6

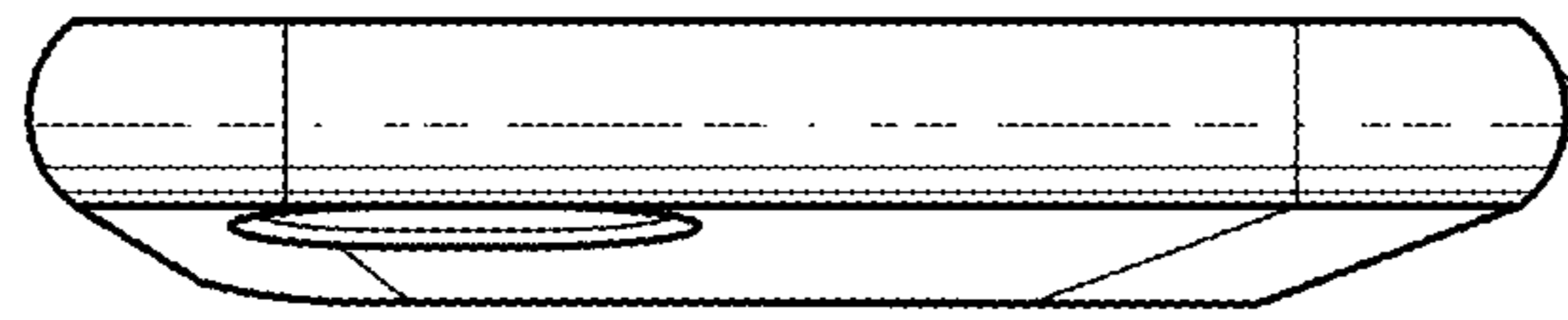


FIG. 7

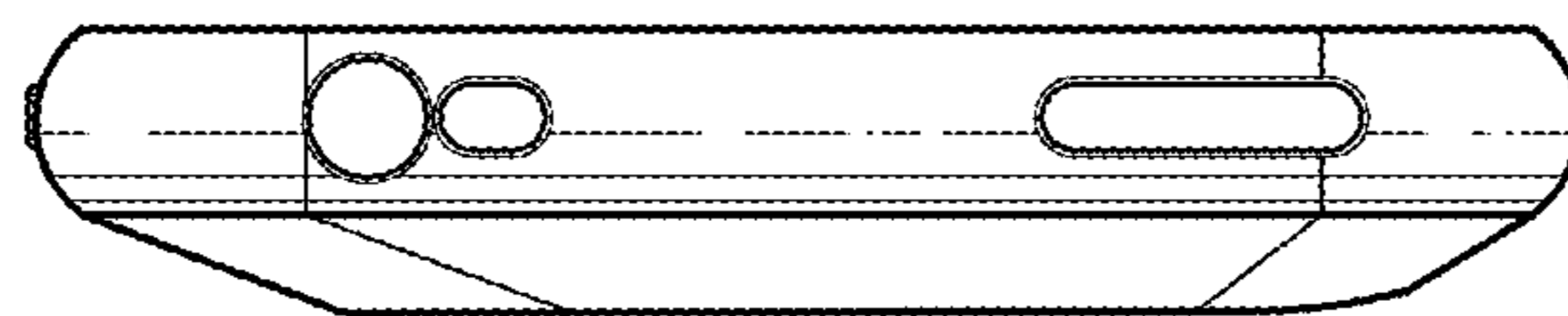


FIG. 8