



US00D781832S

(12) **United States Design Patent** (10) **Patent No.:** **US D781,832 S**
Snitko et al. (45) **Date of Patent:** **** Mar. 21, 2017**

(54) **MOBILE DEVICE CASE WITH MIRROR**
(71) Applicant: **Reflekkt Inc.**, Irvine, CA (US)
(72) Inventors: **Christopher Snitko**, Irvine, CA (US);
Christopher Honikel, Yorba Linda, CA (US)

(**) Term: **14 Years**

(21) Appl. No.: **29/523,859**

(22) Filed: **Apr. 14, 2015**

(51) **LOC (10) Cl.** **14-03**

(52) **U.S. Cl.**
USPC **D14/250**

(58) **Field of Classification Search**
USPC D14/250, 341-347, 130, 138 C, 138 G,
D14/138 R, 138 AA, 147, 203.1, 203.3,
D14/203.7, 204.4, 218, 248; D6/300,
D6/308, 309
CPC A45C 1/06; A45C 11/00; A45C 2011/002;
A45F 2200/0525; A45F 2200/0516; G06F
1/165; G06F 1/1613; G06F 1/1624; G06F
1/1626; G06F 3/0485; G06F 3/0488;
H04B 1/3888; H04M 1/0202; H04M
1/0283

See application file for complete search history.

(56) **References Cited**

U.S. PATENT DOCUMENTS

D334,667 S *	4/1993	Lonczak	D6/308
D409,003 S *	5/1999	Scavini	D6/300
D419,309 S *	1/2000	Leon	D6/300
D500,808 S *	1/2005	Howard	D20/28
D547,057 S *	7/2007	Griffin	D3/218
D594,849 S *	6/2009	Ko	D14/217
D636,819 S *	4/2011	Walker	D20/28
D649,790 S *	12/2011	Pitot	D6/309
D660,370 S *	5/2012	Podd	D20/42

D668,458 S *	10/2012	Lee	D3/303
D670,087 S *	11/2012	Walker	D6/309
D689,701 S *	9/2013	Mischel, Jr.	D6/309
D713,404 S *	9/2014	Green	D14/344
2008/0053852 A1*	3/2008	Ko	A45C 11/00 206/320
2008/0251512 A1*	10/2008	Griffin	A45C 11/00 220/4.02

* cited by examiner

Primary Examiner — Freda S Nunn
(74) *Attorney, Agent, or Firm* — CIONCA Law Group
P.C.; Marin Cionca

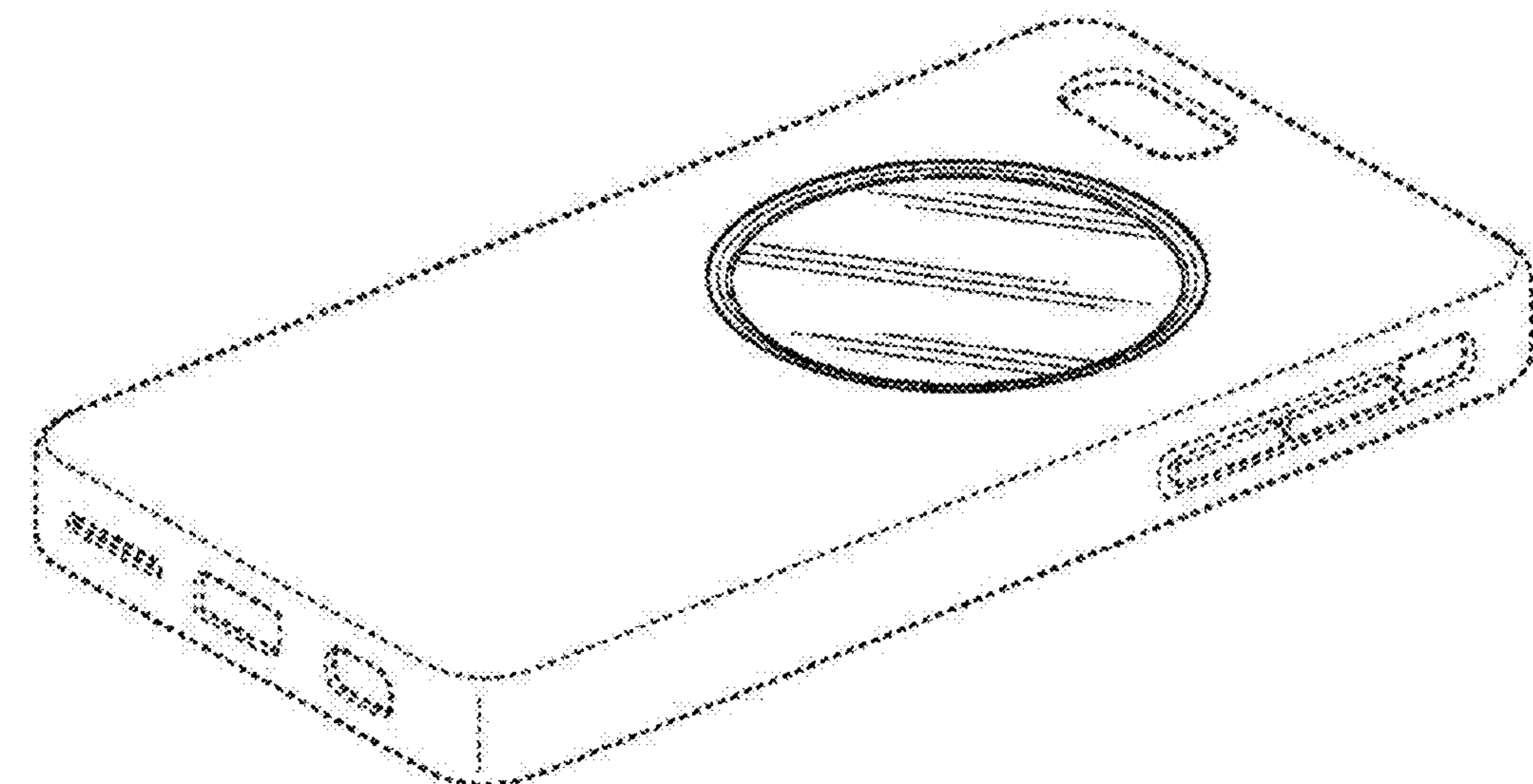
(57) **CLAIM**

The ornamental design of a mobile device case with mirror, as shown and described.

DESCRIPTION

FIG. 1 is a bottom-back perspective view of a mobile device case with mirror showing the new design;
FIG. 2 is a top-back perspective view of the design from FIG. 1;
FIG. 3 is a back plan view of the design from FIG. 1;
FIG. 4 is a left side elevation view of the design from FIG. 1;
FIG. 5 is a right side elevation view of the design from FIG. 1;
FIG. 6 is a top side elevation view of the design from FIG. 1;
FIG. 7 is a bottom side elevation view of the design from FIG. 1; and,
FIG. 8 is a sectional view thereof showing a sloped, beveled, recessed mirror.
The broken lines shown in the drawings are included for the purpose of illustrating environmental structure and form no part of the claimed design.

1 Claim, 3 Drawing Sheets



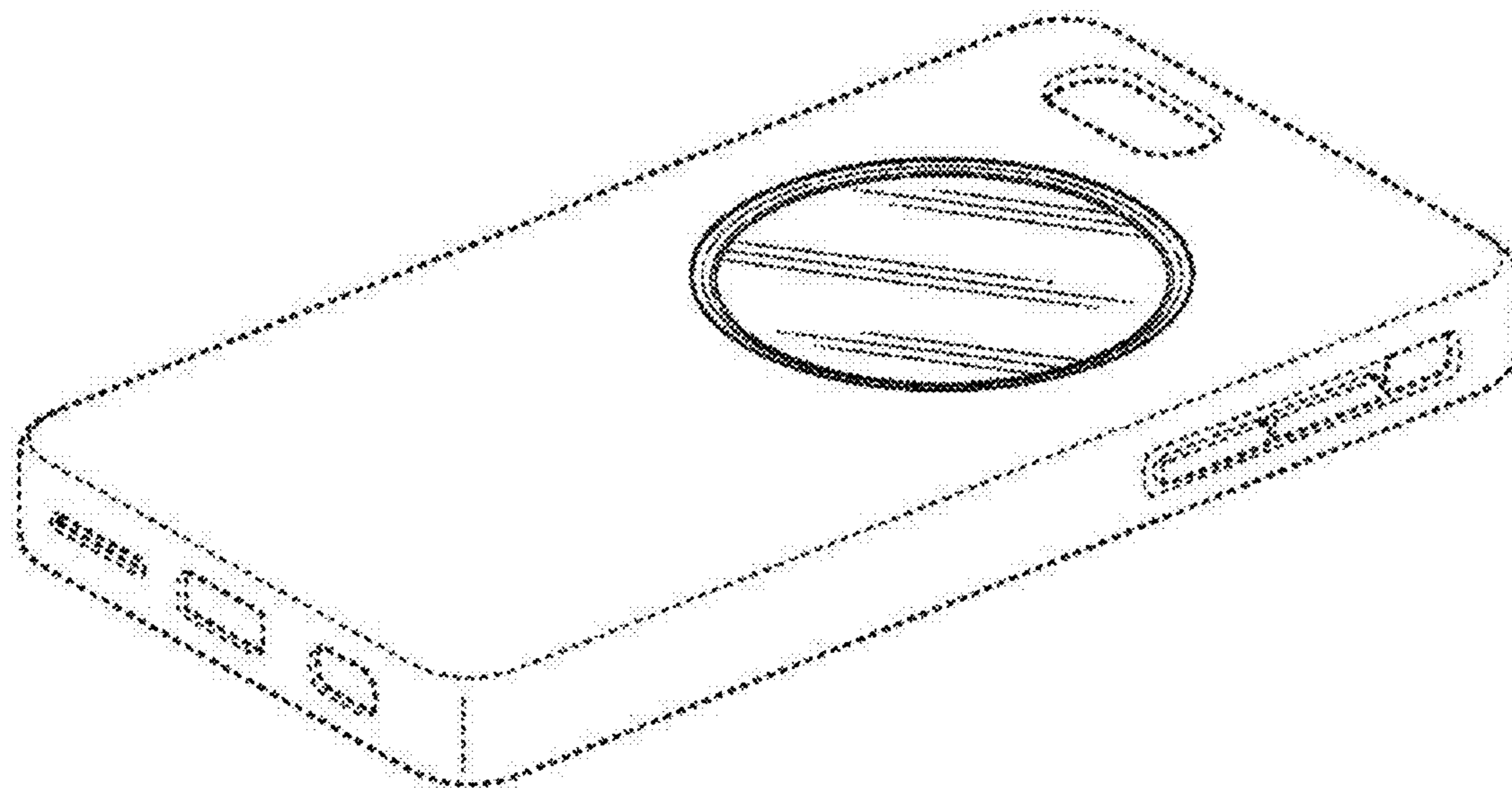


FIG. 1

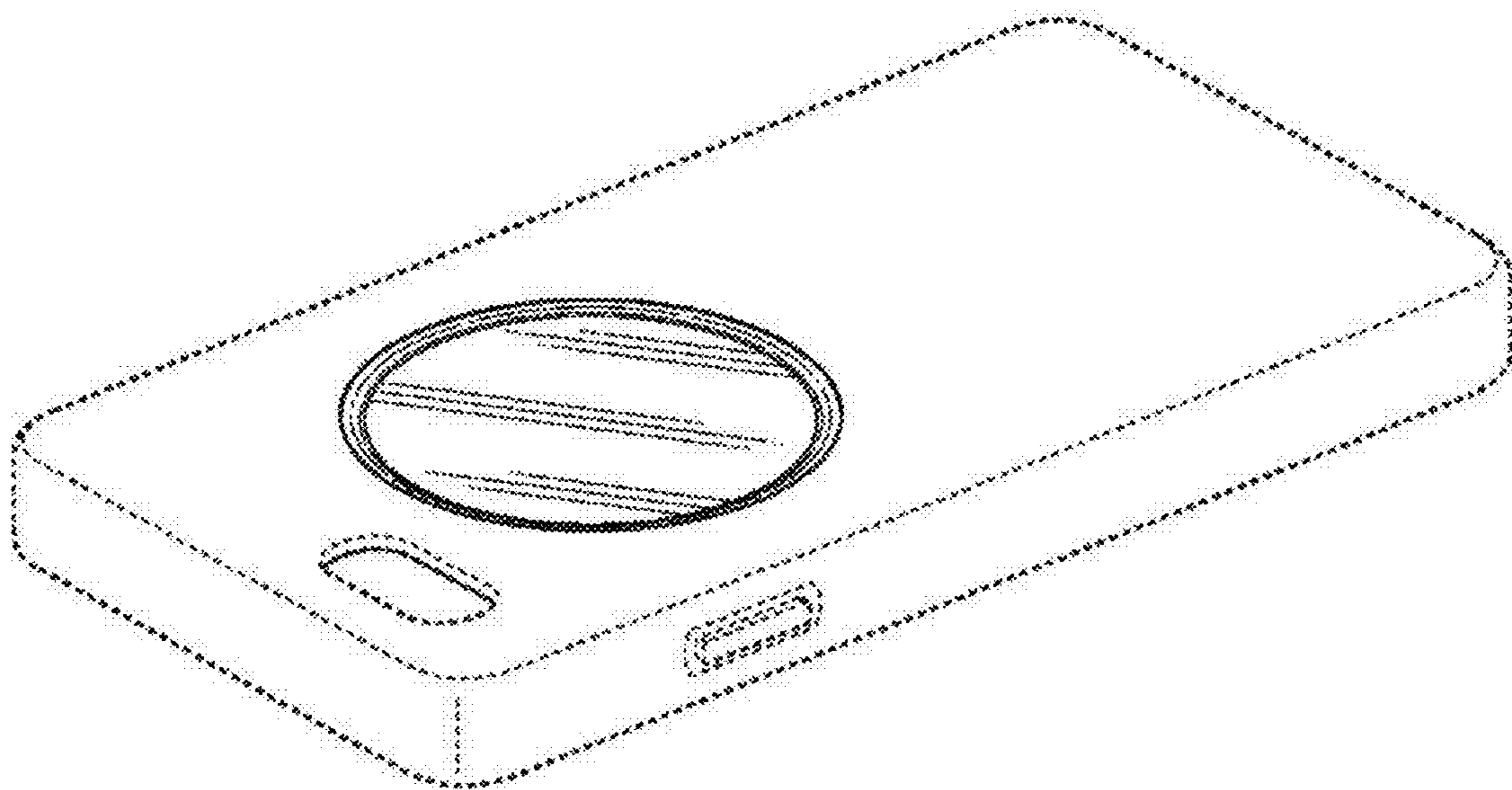


FIG. 2

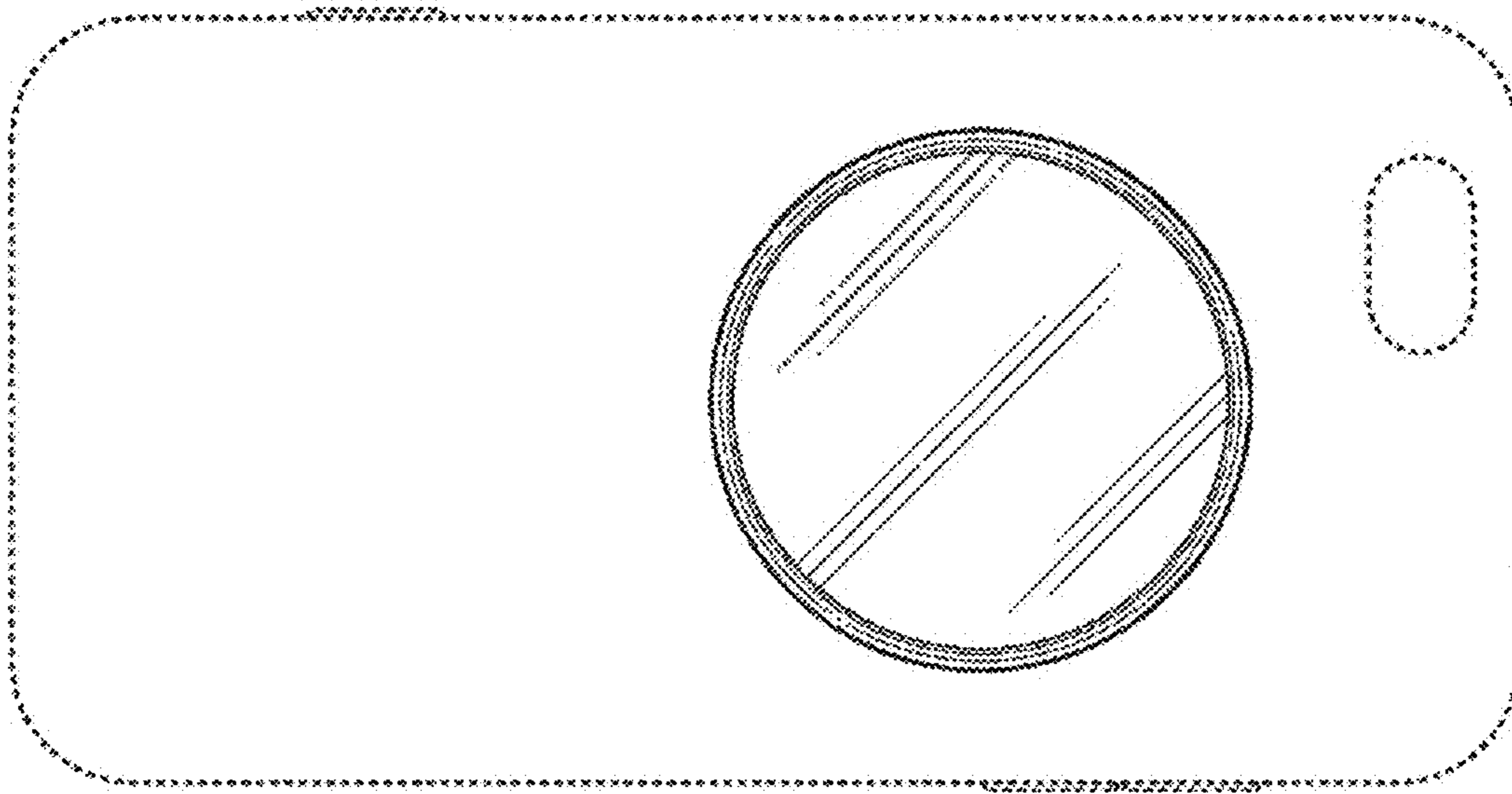


FIG. 3



FIG. 4

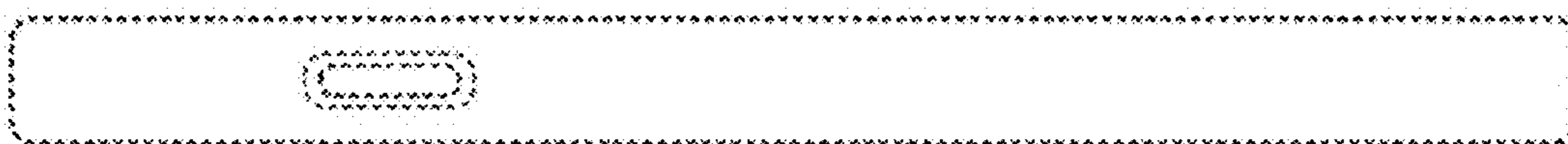


FIG. 5



FIG. 6

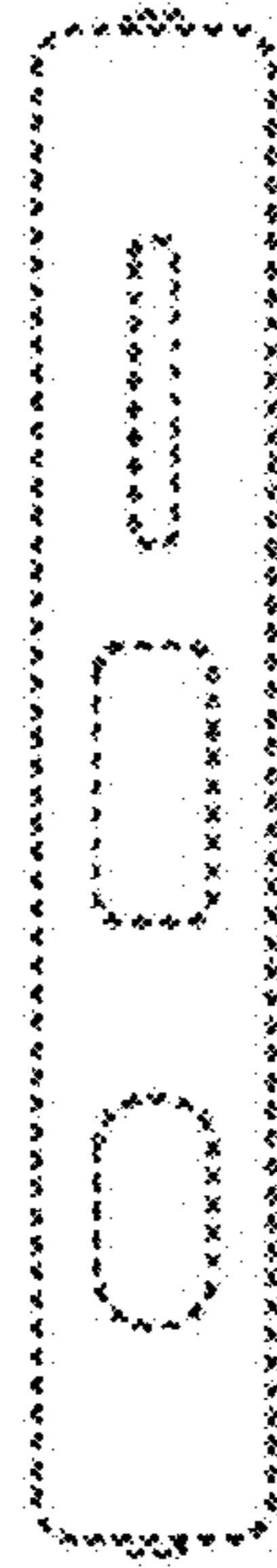


FIG. 7

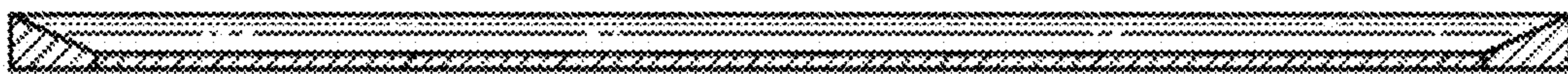


FIG. 8