



US00D781827S

(12) **United States Design Patent**
Kwak et al.

(10) **Patent No.:** **US D781,827 S**
(45) **Date of Patent:** **** Mar. 21, 2017**

(54) **MOBILE TERMINAL**

(71) Applicant: **Samsung Electronics Co., Ltd.**,
Suwon-si (KR)

(72) Inventors: **Ji-Yeon Kwak**, Seoul (KR); **Hyun-Jin Kim**, Seoul (KR); **Hae-Yoon Park**, Seoul (KR); **Ki-O Lee**, Seoul (KR)

(73) Assignee: **Samsung Electronics Co., Ltd.**,
Suwon-si (KR)

(**) Term: **14 Years**

(21) Appl. No.: **29/506,244**

(22) Filed: **Oct. 14, 2014**

(30) **Foreign Application Priority Data**

Apr. 15, 2014 (KR) 30-2014-0019002

(51) **LOC (10) Cl.** **14-03**

(52) **U.S. Cl.**
USPC **D14/248**

(58) **Field of Classification Search**
USPC D14/138 AA, 138 AB, 138 AD, 138 G,
D14/138 R, 341, 345, 203.7, 248, 496,
(Continued)

(56) **References Cited**

U.S. PATENT DOCUMENTS

D321,865 S * 11/1991 Derocher D14/345
D468,736 S * 1/2003 Loh D14/345
(Continued)

OTHER PUBLICATIONS

Samsung, Foldable Phone, as posted at Concept Phones [online],
posted on Sep. 18, 2015 [site visited Jul. 28, 2016] Available from

the Internet, <URL: <http://www.concept-phones.com/samsung/samsung-foldable-phone-coming-year-supposedly/>>.*

(Continued)

Primary Examiner — Jeffrey D Asch
Assistant Examiner — Rebekah A Caruso
(74) *Attorney, Agent, or Firm* — NSIP Law

(57) **CLAIM**

We claim the ornamental design for a mobile terminal, as shown and described.

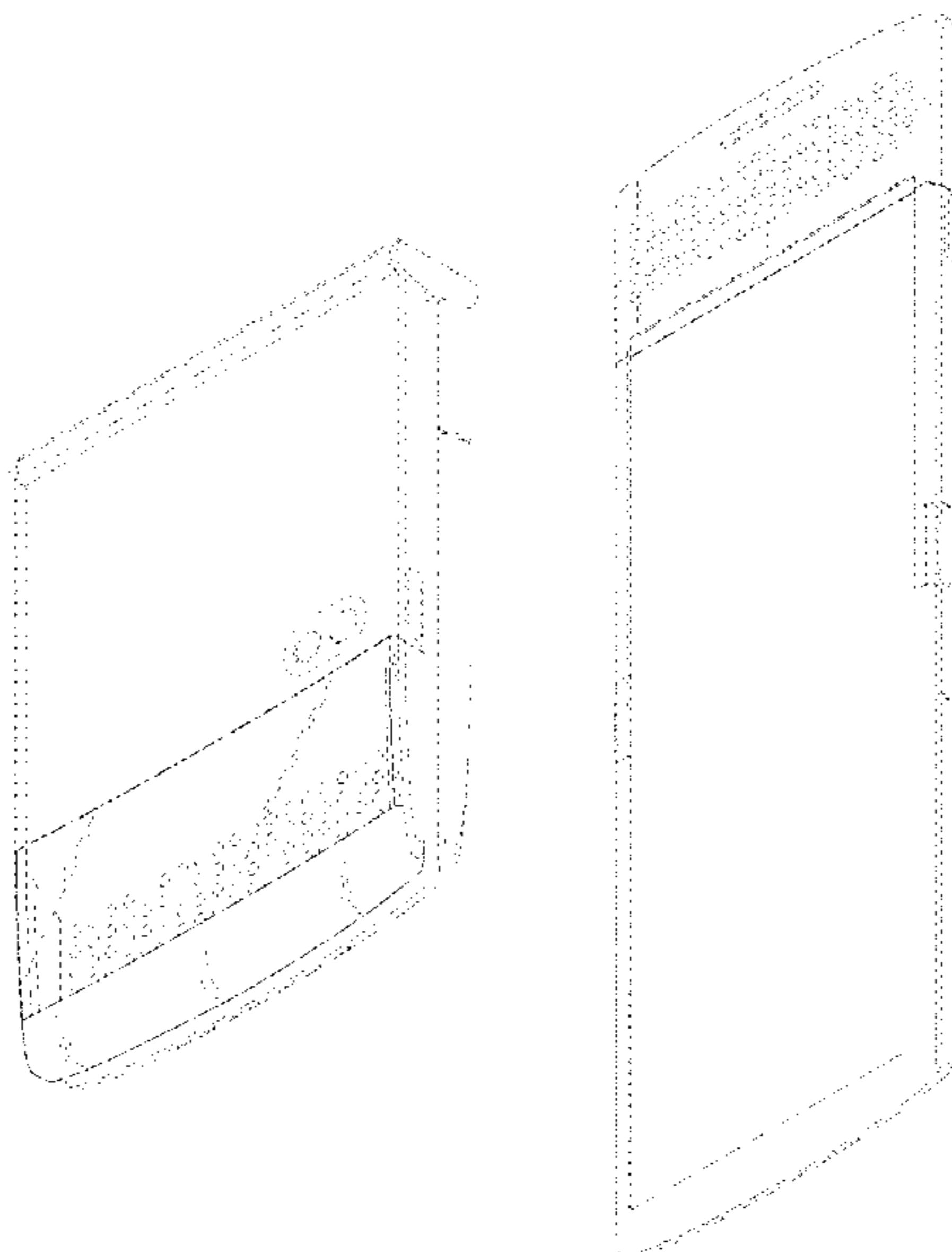
DESCRIPTION

FIG. 1 is a front perspective view of a mobile terminal showing our new design;
FIG. 2 is a front view thereof;
FIG. 3 is a rear view thereof;
FIG. 4 is a left-side view thereof;
FIG. 5 is a right-side view thereof;
FIG. 6 is a top view thereof;
FIG. 7 is a bottom view thereof;
FIG. 8 is another front perspective view, in which the mobile terminal is shown in an open position;
FIG. 9 is a rear perspective view thereof; and,
FIG. 10 is a left-side view thereof.

The broken lines shown in the figures that are immediately adjacent to the shaded areas and define unshaded regions represent the bounds of the claim. All other broken lines, including the features within broken line boundaries, are directed to environment. The broken lines form no part of the claimed design.

The dot-dash lines in the figures represent an unclaimed boundary line and form no part of the claimed design.

1 Claim, 8 Drawing Sheets



(58) **Field of Classification Search**

USPC D14/344, 204, 210, 217; D10/65, 71;
 361/679.27; D27/186; D3/218;
 D16/135; D6/699.5; D19/73, 187
 CPC G06F 1/1652; G06F 1/1616; G06F 1/1618;
 G06F 1/1624; H04M 1/0222; H04M
 1/0254; H04M 1/0256
 See application file for complete search history.

(56) **References Cited**

U.S. PATENT DOCUMENTS

D475,037	S	*	5/2003	Leung	D14/204
D488,154	S	*	4/2004	Lovelady	D14/138 AB
D492,304	S	*	6/2004	Nishida	D14/345
D561,728	S	*	2/2008	Kim	D14/138 AB
D566,089	S	*	4/2008	Kim	D14/138 AD
D576,601	S	*	9/2008	Yasuda	D14/138 AB
D603,364	S	*	11/2009	Song	D14/138 AB
D606,993	S	*	12/2009	Watson	D14/341
D626,930	S	*	11/2010	Katsunuma	D14/138 AD
D647,867	S	*	11/2011	Chung	D14/138 AB
D657,337	S	*	4/2012	Tylor	D14/138 AB
D658,173	S	*	4/2012	Kim	D14/345
D681,033	S	*	4/2013	Chen	D14/345
8,804,349	B2	*	8/2014	Lee	G06F 1/1641 361/679.01

D749,576	S	*	2/2016	Park	D14/203.4
9,298,221	B2	*	3/2016	Choi	G06F 1/1677
D754,657	S	*	4/2016	Kim	D14/345
9,348,450	B1	*	5/2016	Kim	G06F 3/0412
2014/0226275	A1	*	8/2014	Ko	G06F 1/1626 361/679.27
2014/0362513	A1	*	12/2014	Nurmi	G06F 1/1652 361/679.27
2015/0233162	A1	*	8/2015	Lee	H04M 1/02 16/223
2015/0241925	A1	*	8/2015	Seo	G06F 1/1652 361/679.27
2015/0241927	A1	*	8/2015	Ryu	G06F 1/1616 361/679.27
2016/0062412	A1	*	3/2016	Park	G06F 1/1616 361/679.27

OTHER PUBLICATIONS

Samsung, Flexible OLED Display Phone, as posted at PhoneArena [online], posting date not available [site visited Jul. 28, 2016] Available from the Internet, <URL: http://www.phonearena.com/news/Samsung-and-LG-both-racing-to-out-a-foldable-phone_id74741>.*

* cited by examiner

FIG. 1

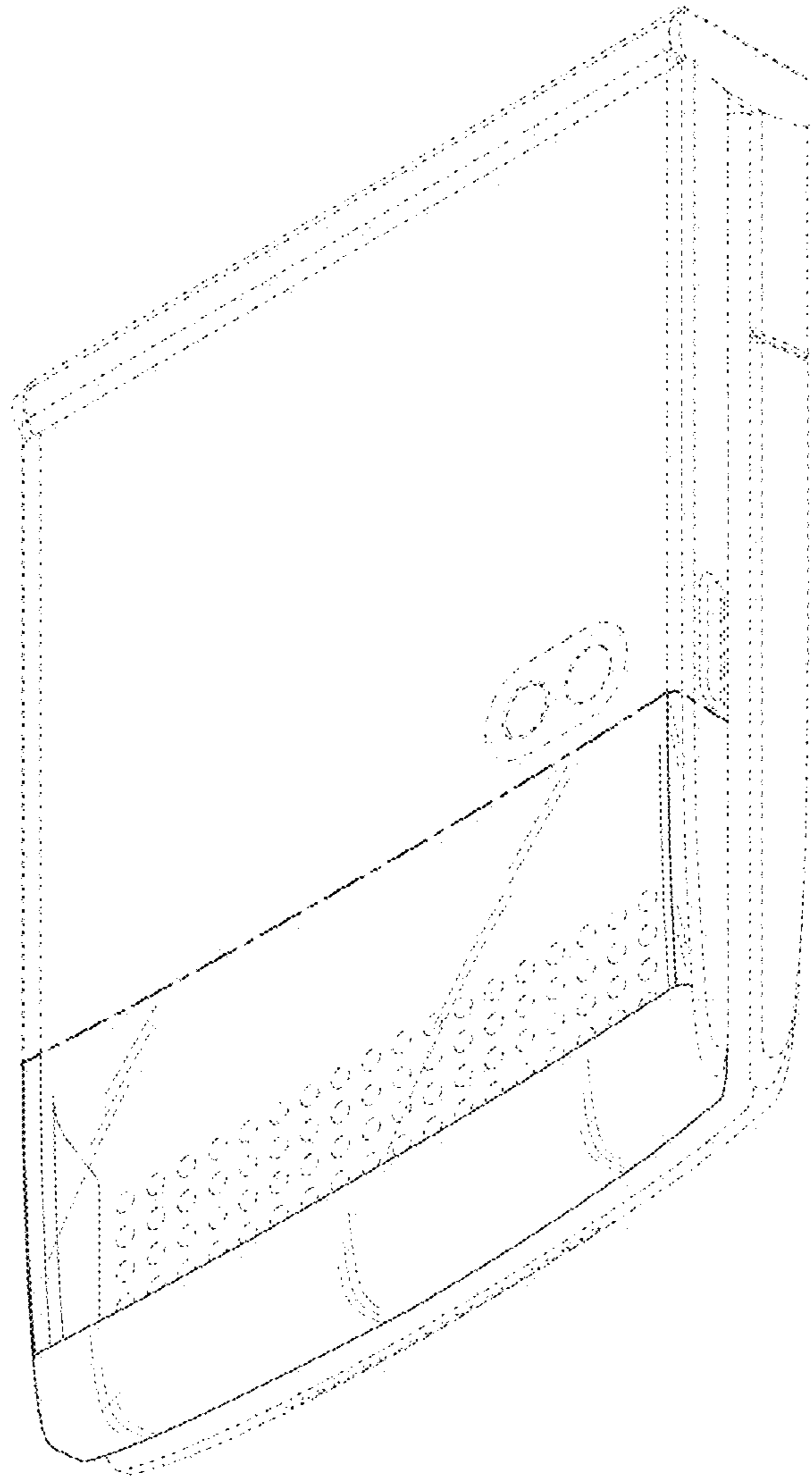


FIG. 2

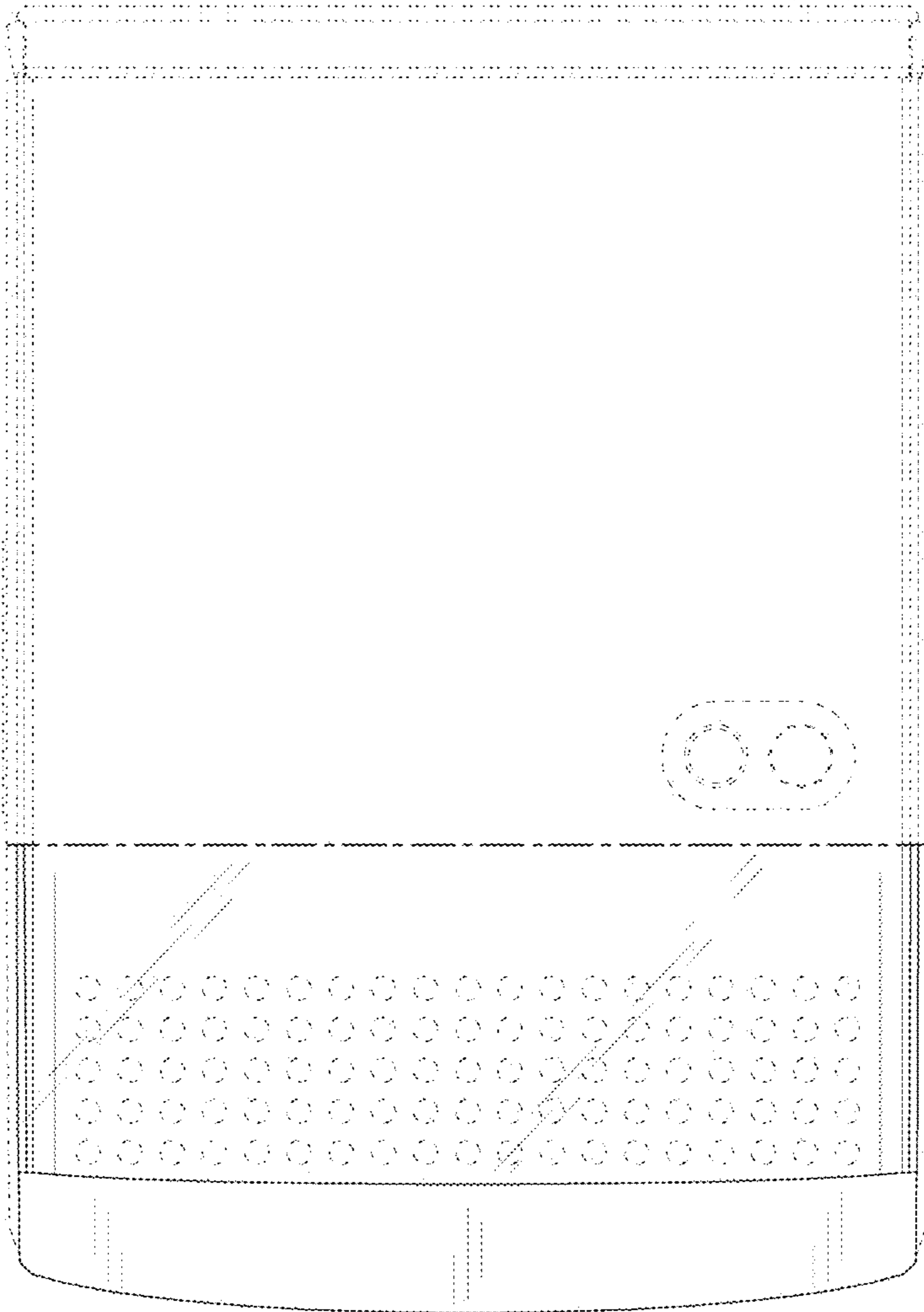


FIG. 3

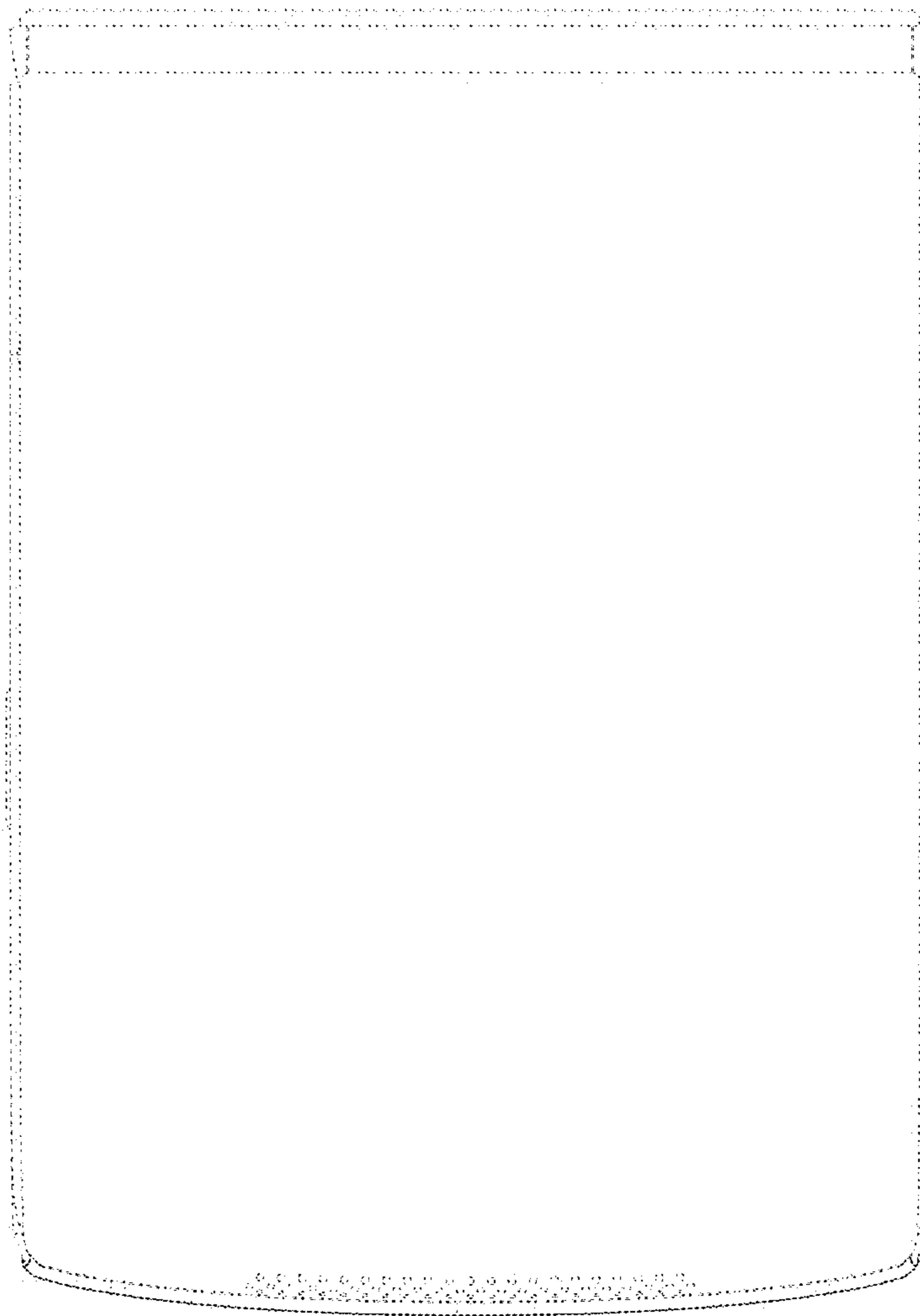


FIG. 4

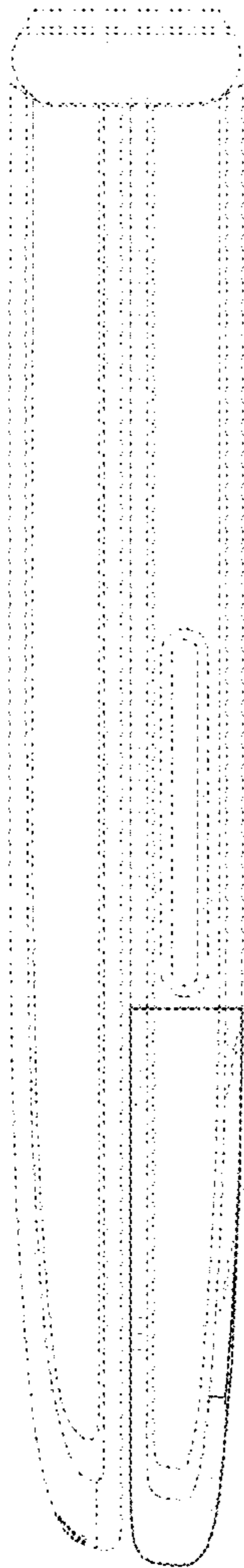


FIG. 5

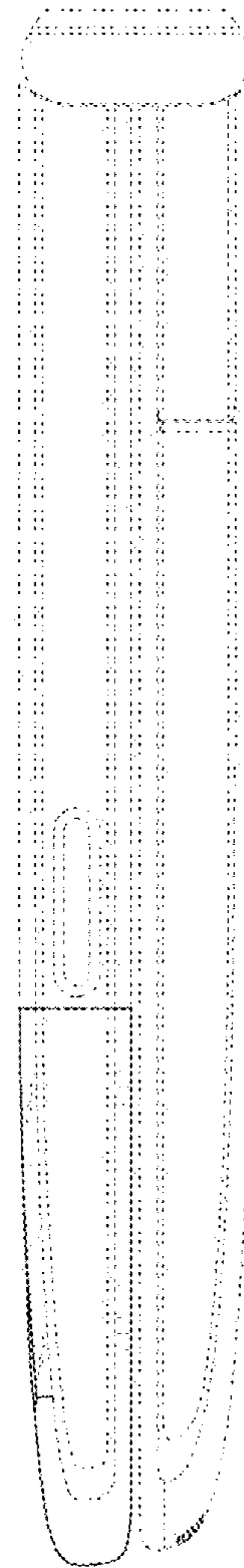


FIG. 6



FIG. 7

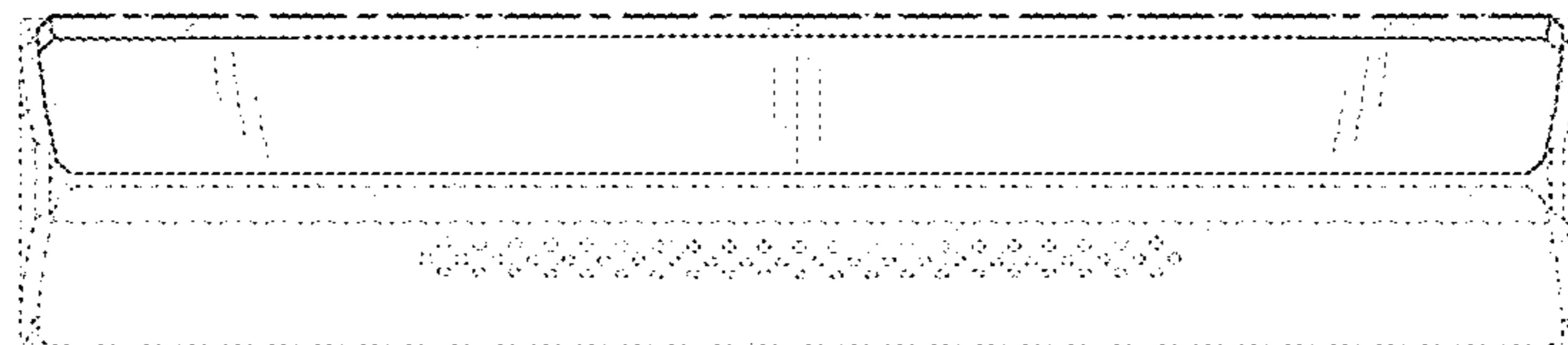


FIG. 8

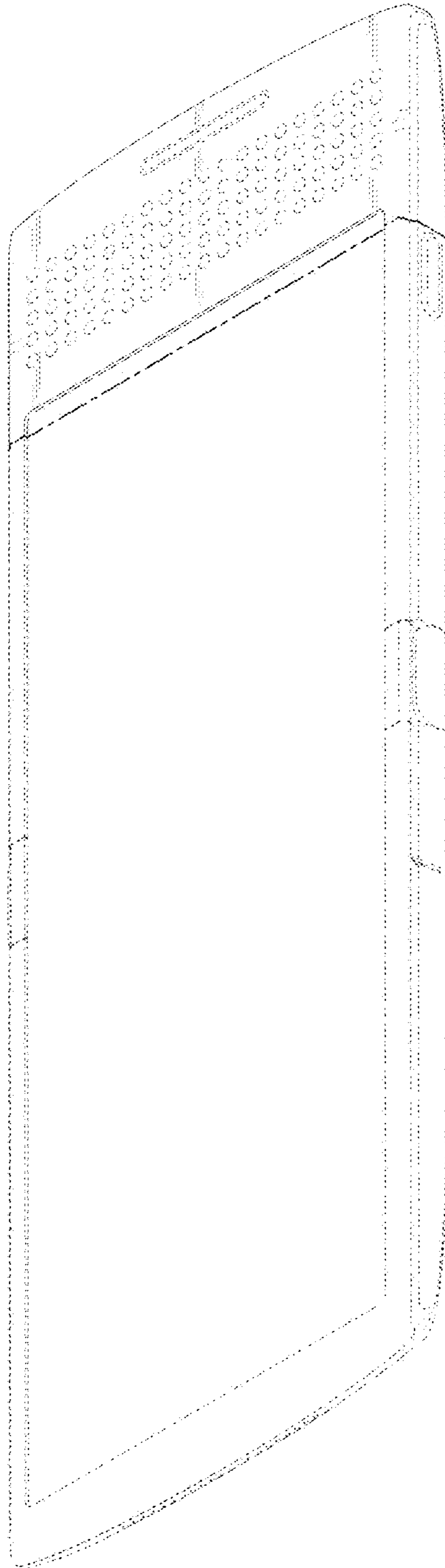


FIG. 9

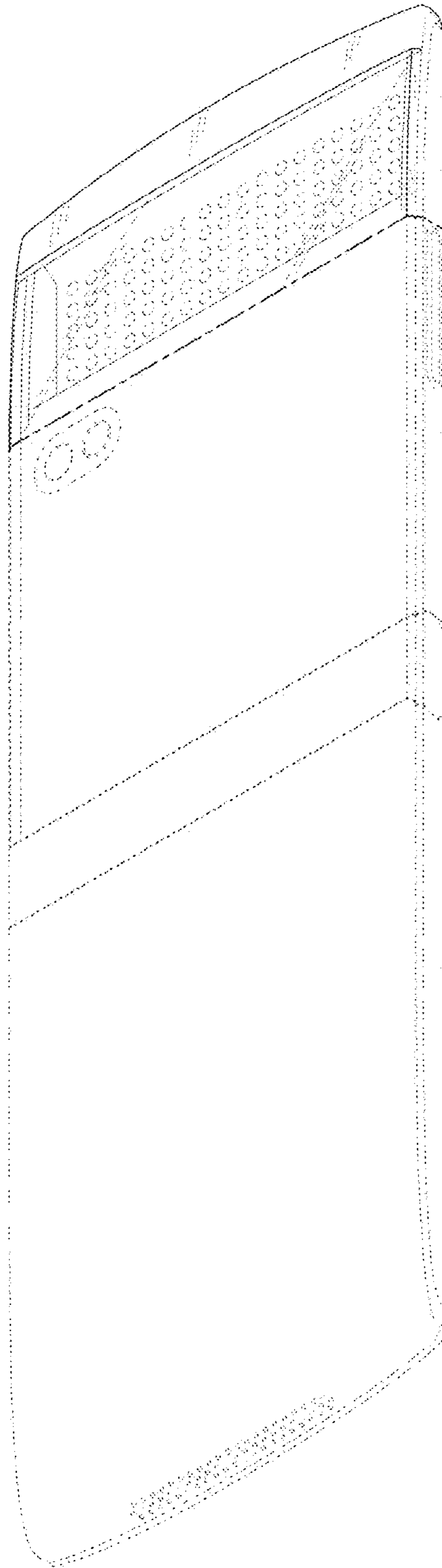


FIG. 10

