



US00D781826S

(12) **United States Design Patent**  
**Ng et al.**

(10) **Patent No.:** **US D781,826 S**  
(45) **Date of Patent:** **\*\* Mar. 21, 2017**

- (54) **ANTENNA STAND**
- (71) Applicant: **VOXX International Corporation**,  
Hauppauge, NY (US)
- (72) Inventors: **Dzam-Si Jesse Ng**, Zionsville, IN (US);  
**Yiqi W. Woodling**, Carmel, IN (US);  
**Prapan Paul Tinaphong**, Carmel, IN (US)
- (73) Assignee: **VOXX International Corporation**,  
Hauppauge, NY (US)
- (\*\*) Term: **15 Years**
- (21) Appl. No.: **29/549,752**
- (22) Filed: **Dec. 28, 2015**
- (51) **LOC (10) Cl.** ..... **14-03**
- (52) **U.S. Cl.**  
USPC ..... **D14/238**
- (58) **Field of Classification Search**  
USPC ... D14/230, 234, 236, 238, 238.1, 299, 358,  
D14/433, 496; D8/349, 353, 354, 363,  
D8/373, 380, 381; D10/103; D13/123,  
D13/133  
CPC ..... H01Q 3/44; H01Q 1/366; H01Q 1/243;  
H01Q 1/02; H01Q 1/28; H01Q 1/42;  
G01D 4/00-4/18  
See application file for complete search history.

D659,686 S *	5/2012	Podduturi	.....	D14/230
D723,358 S *	3/2015	Morris	.....	D8/380
D724,418 S *	3/2015	Fairchild	.....	D8/380
D743,952 S *	11/2015	Venghaus	.....	D14/238
2003/0184497 A1	10/2003	Ye et al.	.....	343/909
2007/0096995 A1	5/2007	Lee	.....	343/702
2013/0313401 A1	11/2013	Yang	.....	248/651
2014/0043205 A1*	2/2014	Lam	.....	H01Q 1/08 343/872

**FOREIGN PATENT DOCUMENTS**

DE 78 05 520 6/1978 ..... H01Q 1/12  
\* cited by examiner

*Primary Examiner* — George D Kirschbaum  
*Assistant Examiner* — Joseph Kukella  
(74) *Attorney, Agent, or Firm* — Bodner & O'Rourke,  
LLP; Gerald T. Bodner; Christian P. Bodner

(57) **CLAIM**

The ornamental design of an antenna stand, as shown and described.

**DESCRIPTION**

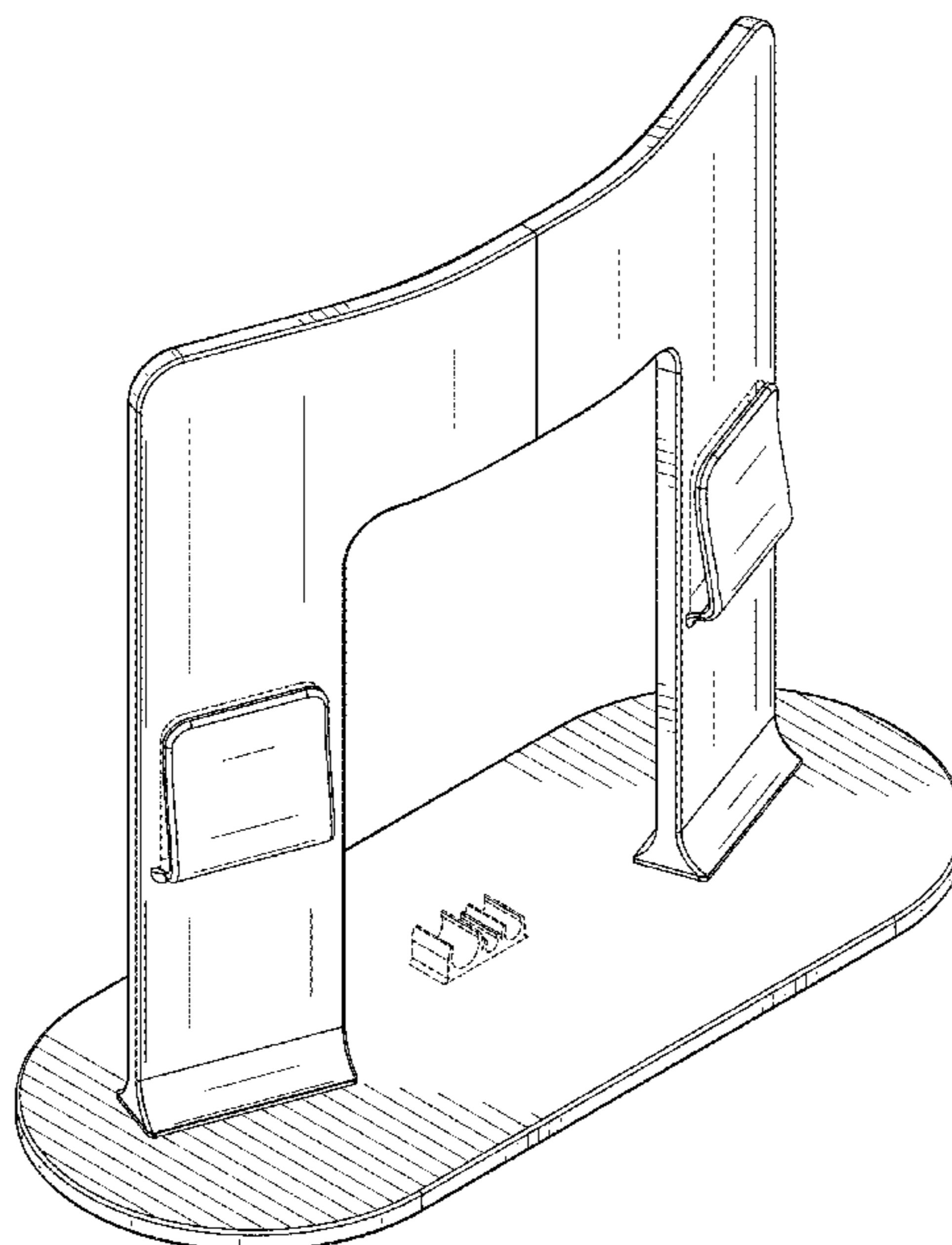
FIG. 1 is a front top perspective view of an antenna stand showing our new design;  
FIG. 2 is a rear bottom perspective view thereof;  
FIG. 3 is a right elevational view thereof;  
FIG. 4 is a left elevational view thereof;  
FIG. 5 is a top plan view thereof;  
FIG. 6 is a bottom plan view thereof;  
FIG. 7 is a front elevational view thereof; and,  
FIG. 8 is a rear elevational view thereof.  
In the drawings, the broken lines depict environmental subject matter only and form no part of the claimed design.

**1 Claim, 6 Drawing Sheets**

(56) **References Cited**

**U.S. PATENT DOCUMENTS**

D266,461 S *	10/1982	Helzer	.....	D6/310
D276,961 S *	1/1985	Kemper	.....	D6/312
D307,686 S *	5/1990	Cadman	.....	D6/572
6,590,541 B1	7/2003	Schultze	.....	343/741
D635,013 S *	3/2011	Larsen	.....	D8/380



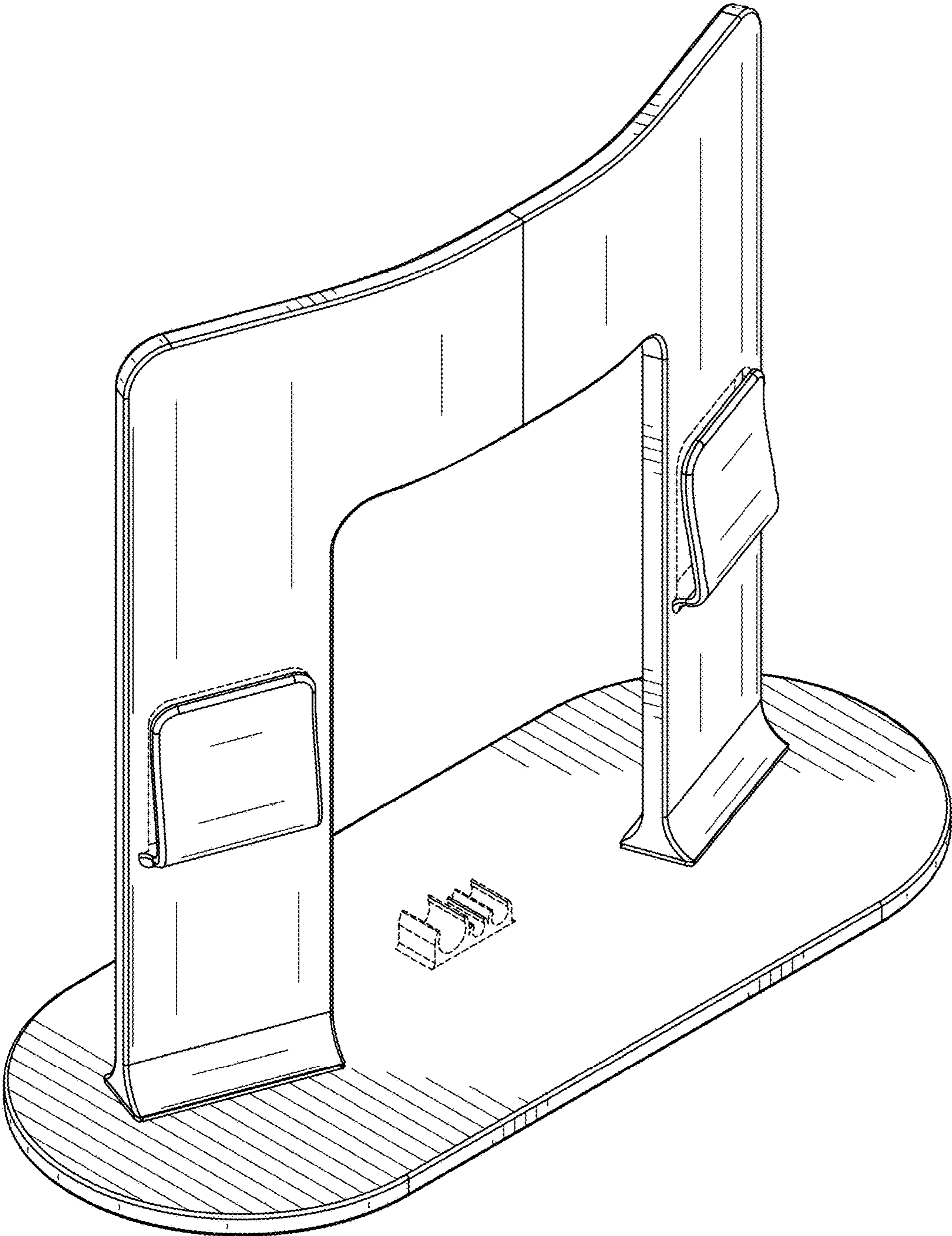


FIG. 1

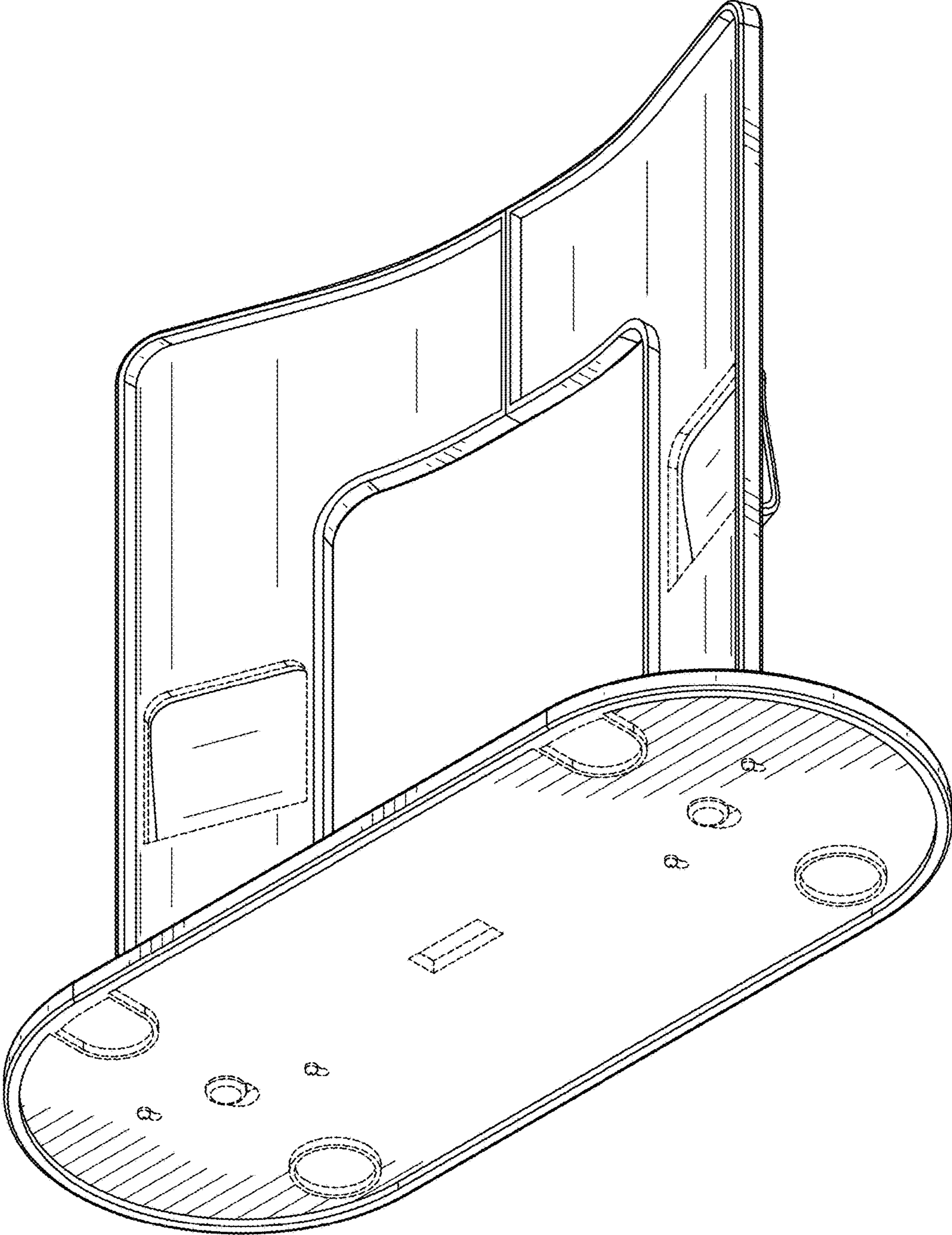


FIG. 2



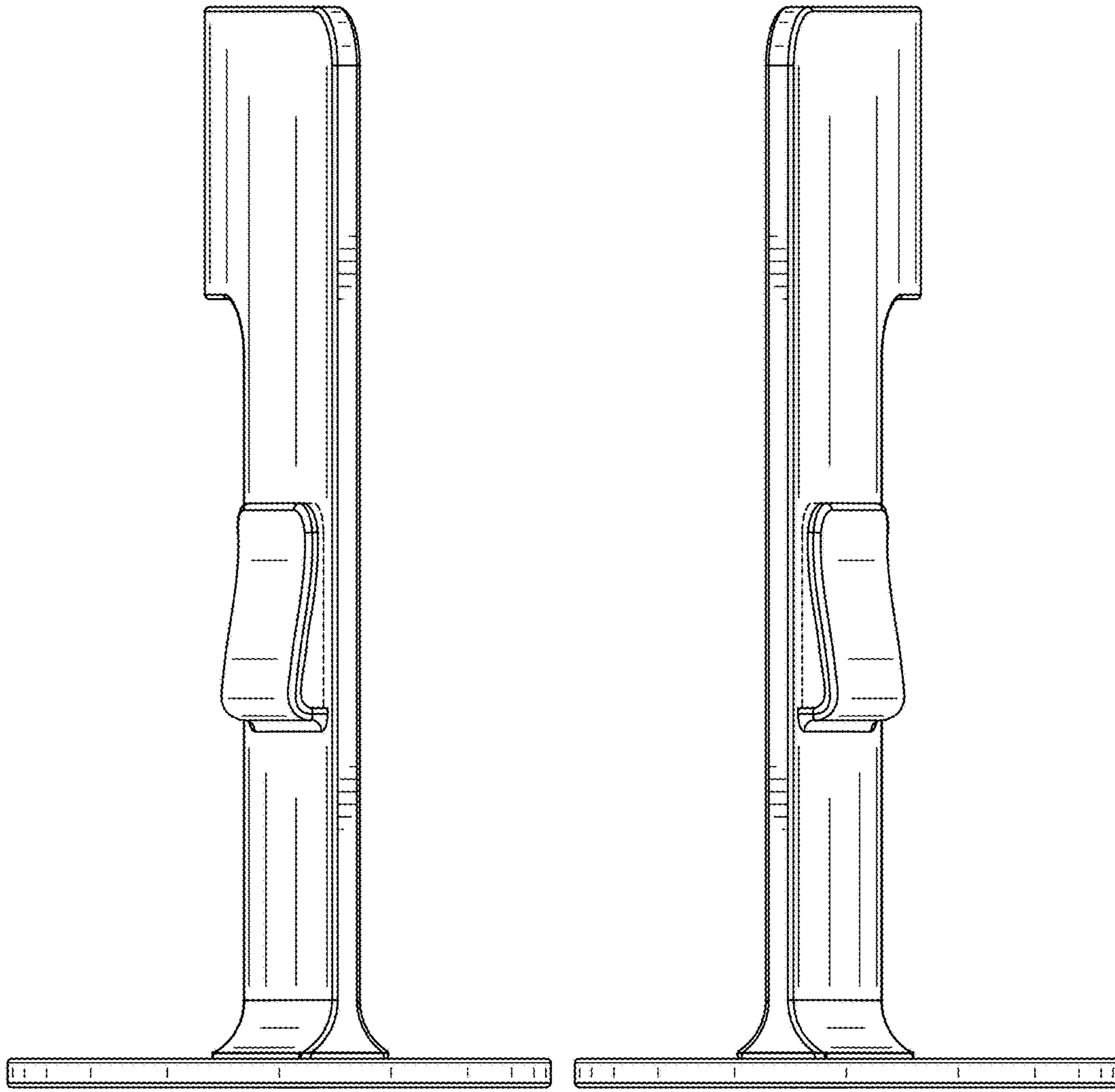


FIG. 3

FIG. 4

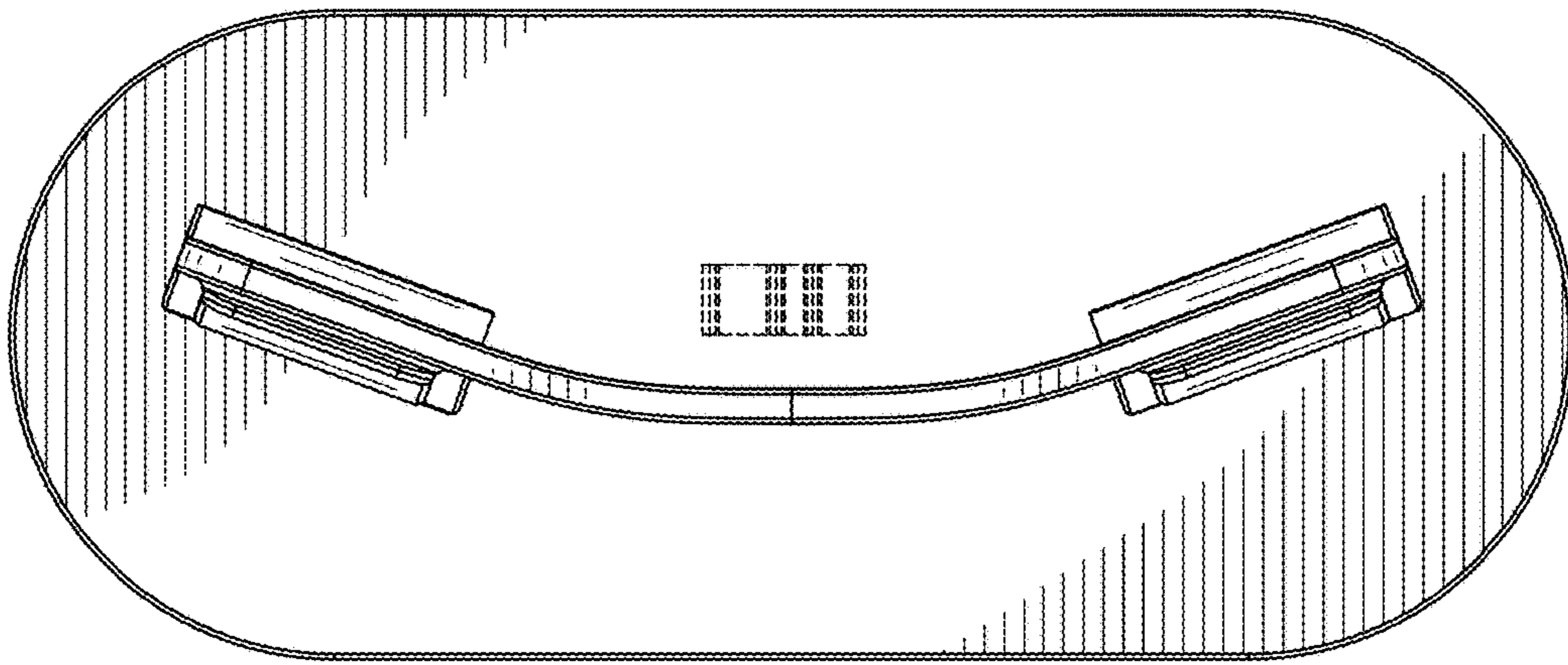


FIG. 5

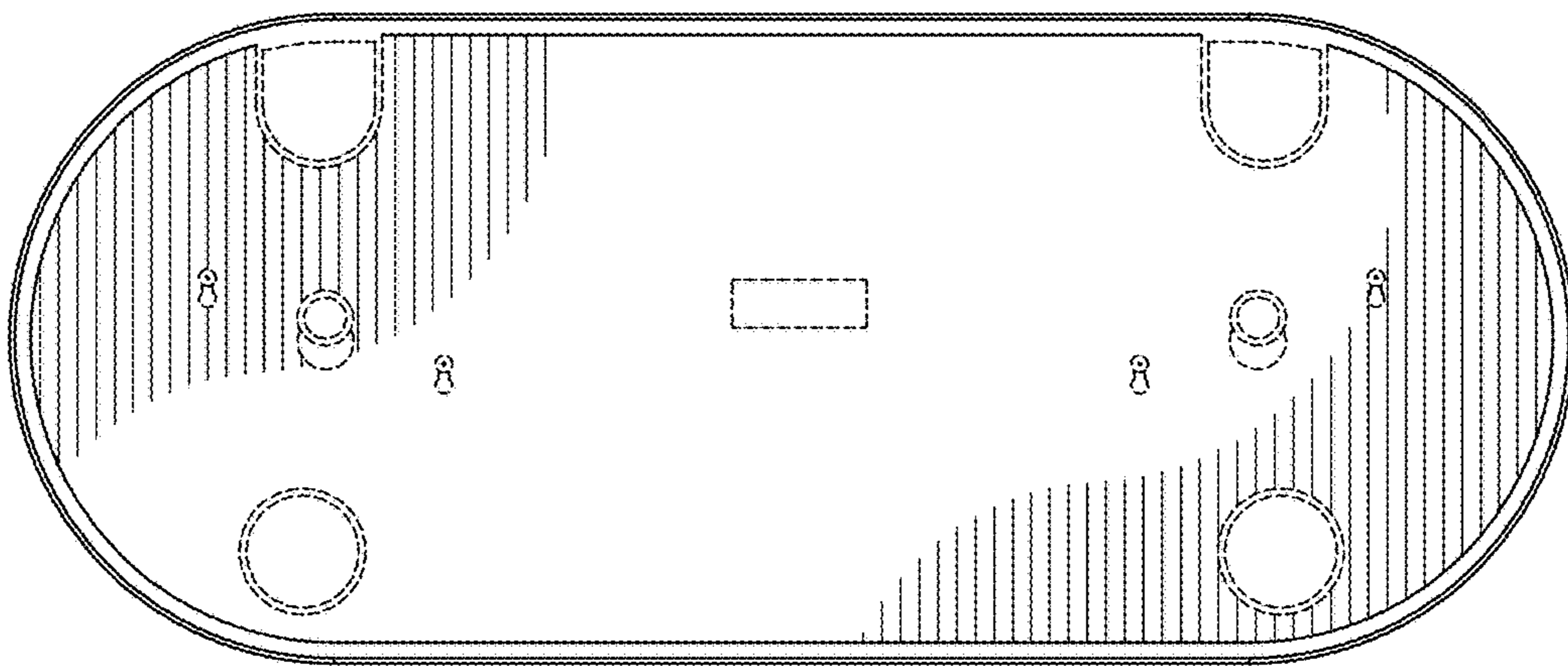


FIG. 6

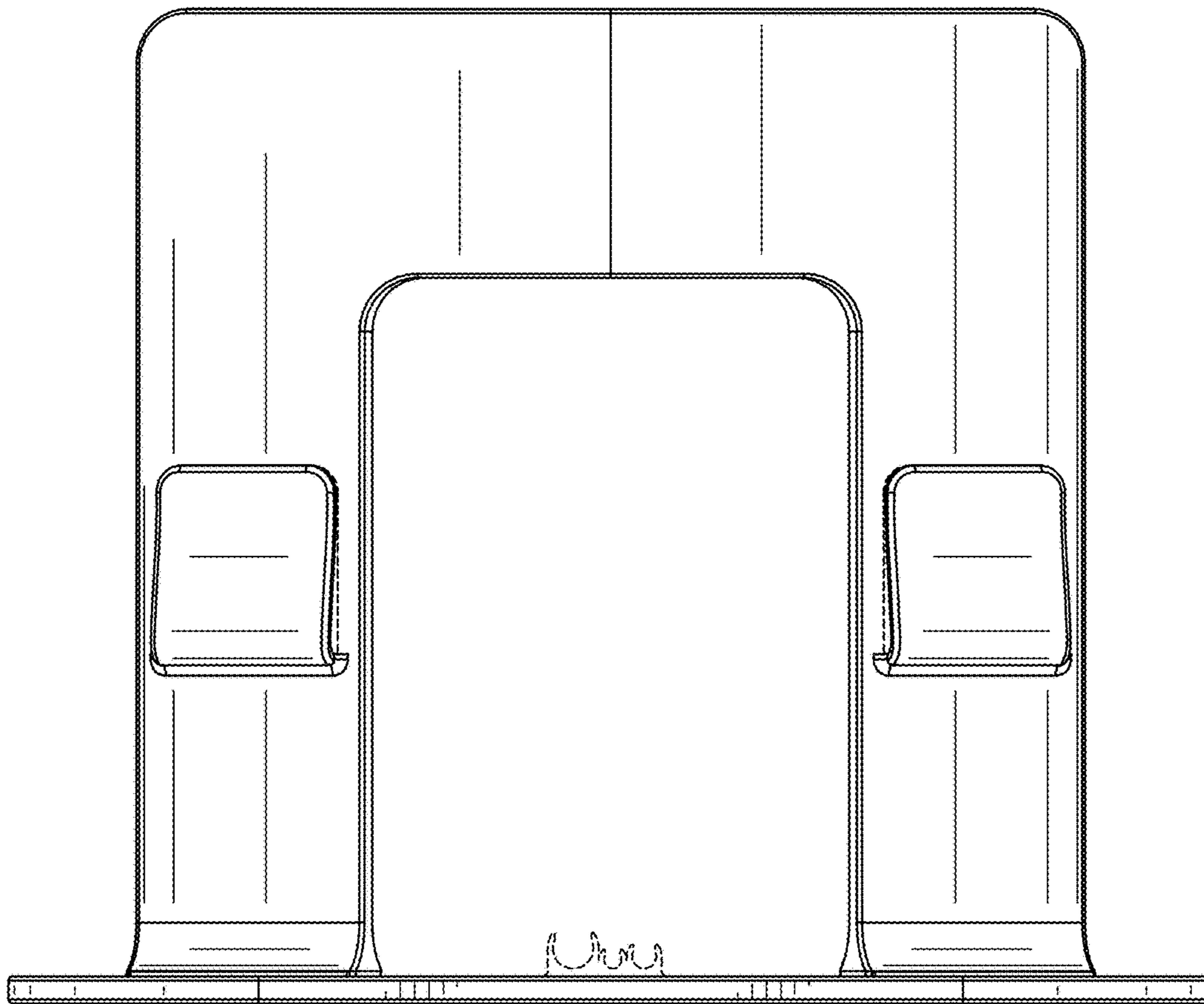


FIG. 7

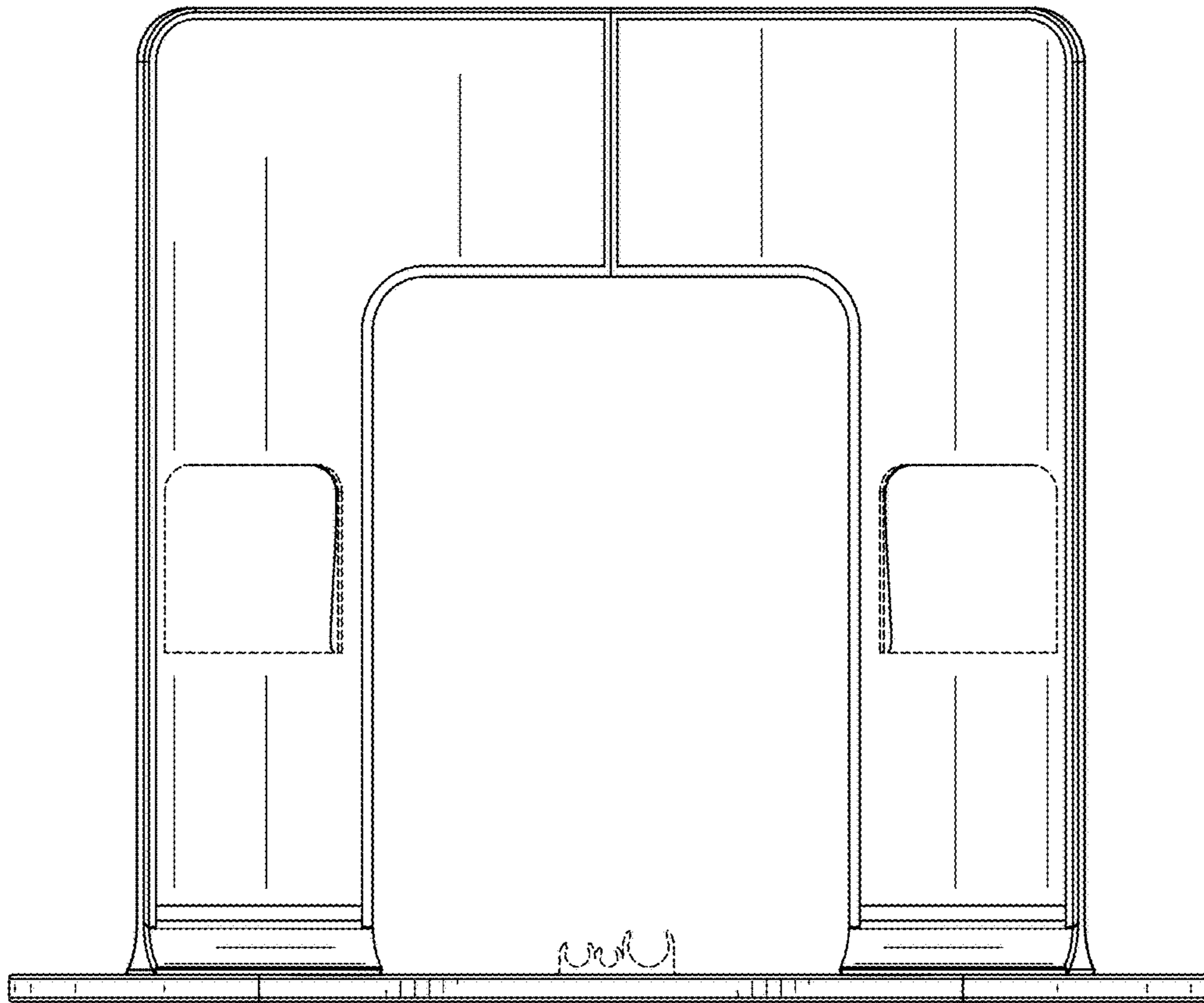


FIG. 8