



US00D781824S

(12) **United States Design Patent**
Mottert et al.

(10) **Patent No.:** **US D781,824 S**
(45) **Date of Patent:** **** Mar. 21, 2017**

- (54) **ANTENNA MOUNTING DEVICE**
- (71) Applicant: **LANDIS+GYR INNOVATIONS, INC.**, Alpharetta, GA (US)
- (72) Inventors: **Michael J. Mottert**, St. Louis, MO (US); **Patrick Finian Sheehan Spokas**, Tucker, GA (US)
- (73) Assignee: **Landis+Gyr Innovations, Inc.**, Alpharetta, GA (US)
- (**) Term: **15 Years**
- (21) Appl. No.: **29/529,562**
- (22) Filed: **Jun. 9, 2015**
- (51) **LOC (10) Cl.** **14-03**
- (52) **U.S. Cl.**
USPC **D14/238**
- (58) **Field of Classification Search**
USPC ... D14/230, 234, 236, 238, 238.1, 299, 358, D14/433, 496; D8/353, 354, 363, 373, D8/380, 381; D10/103; D13/123, 133
CPC .. H01Q 3/44; H01Q 1/02; H01Q 1/28; H01Q 1/42; H01Q 1/243; H01Q 1/366; G01D 4/00-4/18
See application file for complete search history.

8,820,985 B1 * 9/2014 Tam F21V 21/14 362/249.1
 D737,256 S * 8/2015 Harvey D14/238
 D750,603 S * 3/2016 Venghaus D14/238
 D753,638 S * 4/2016 Tatem D14/239

* cited by examiner

Primary Examiner — George D Kirschbaum

Assistant Examiner — Joseph Kukella

(74) *Attorney, Agent, or Firm* — Kilpatrick Townsend & Stockton LLP

(57) **CLAIM**

The ornamental design for an antenna mounting device, as shown and described.

DESCRIPTION

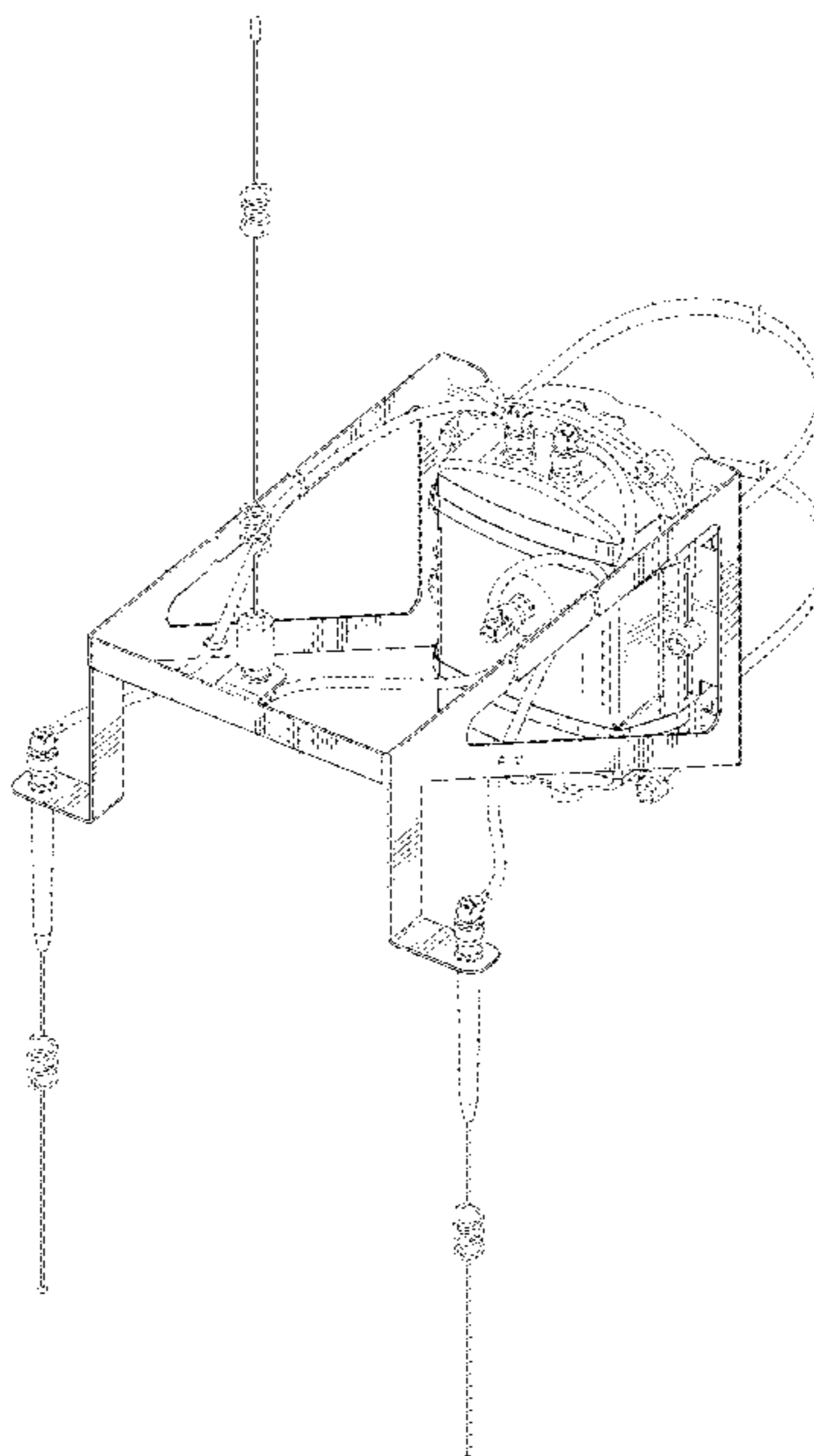
FIG. 1 is a perspective front view of an antenna mounting device.
 FIG. 2 is a front view of the antenna mounting device of FIG. 1.
 FIG. 3 is a rear view of the antenna mounting device of FIG. 1.
 FIG. 4 is a left side view of the antenna mounting device of FIG. 1.
 FIG. 5 is a right side view of the antenna mounting device of FIG. 1.
 FIG. 6 is a top view of the antenna mounting device of FIG. 1; and,
 FIG. 7 is a bottom view of the antenna mounting device of FIG. 1.
 The dash-dot-dash broken lines immediately adjacent the shaded areas represent the bounds of the claimed design while all other broken lines are directed to environmental subject matter only; the broken lines form no part of the claimed design.

(56) **References Cited**

U.S. PATENT DOCUMENTS

- D185,897 S * 8/1959 Stark D6/574
- D323,777 S * 2/1992 Knox, III 248/237
- D332,262 S * 1/1993 Borchardt D14/230
- D416,188 S * 11/1999 Rosen D8/381
- D624,806 S * 10/2010 Silverman D8/373
- D636,764 S * 4/2011 Mi D14/230
- D662,806 S * 7/2012 Shaw D14/239

1 Claim, 7 Drawing Sheets



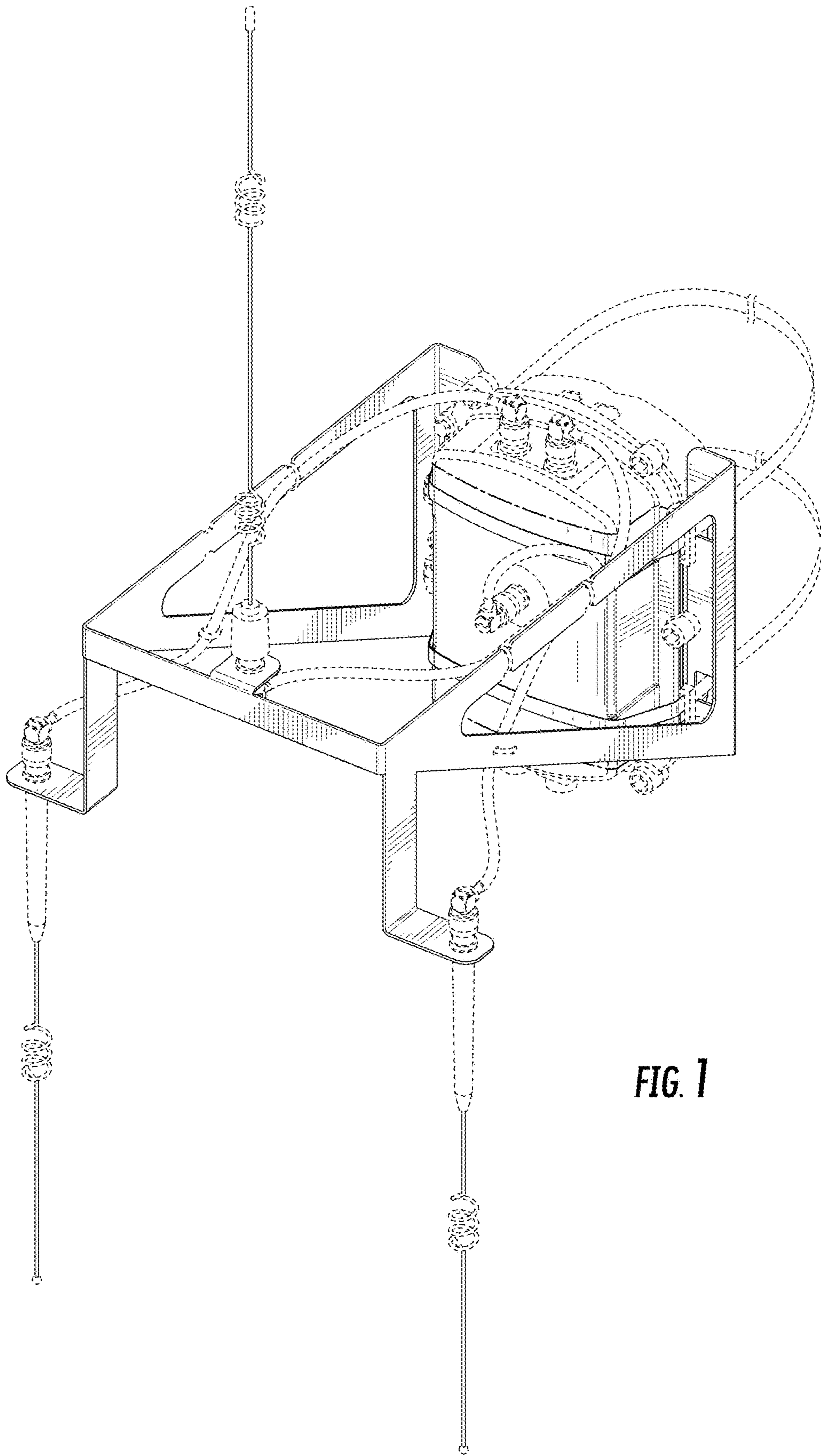


FIG. 1

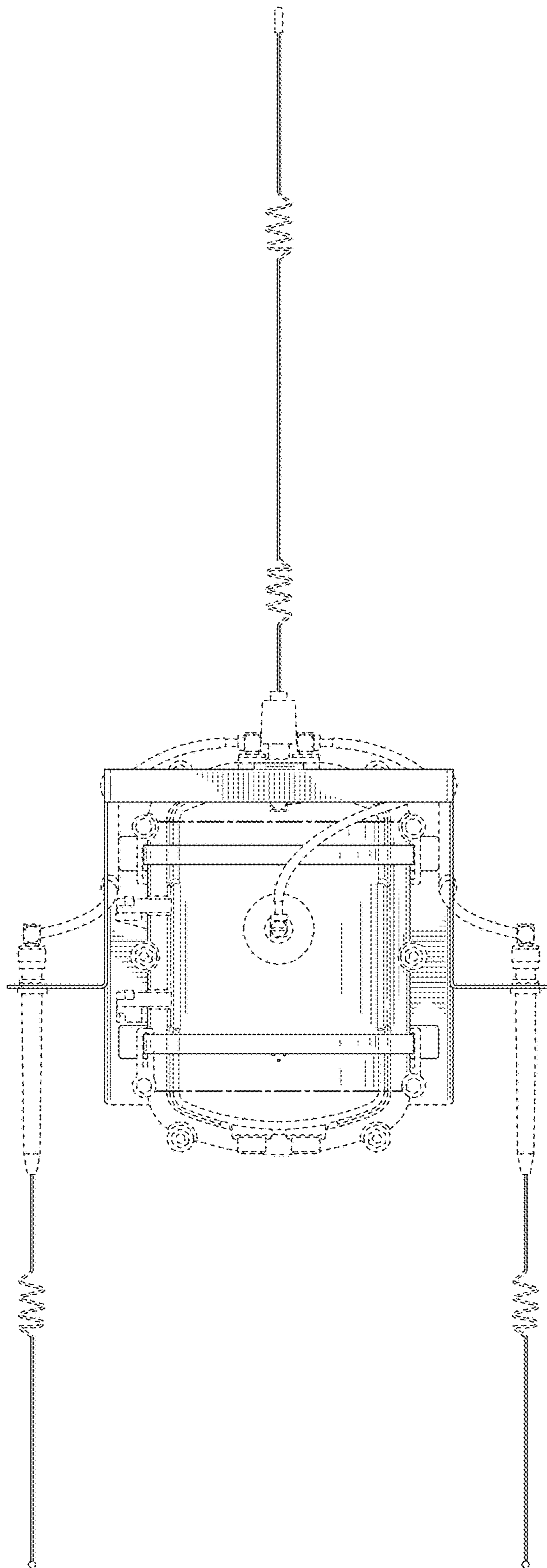


FIG. 2

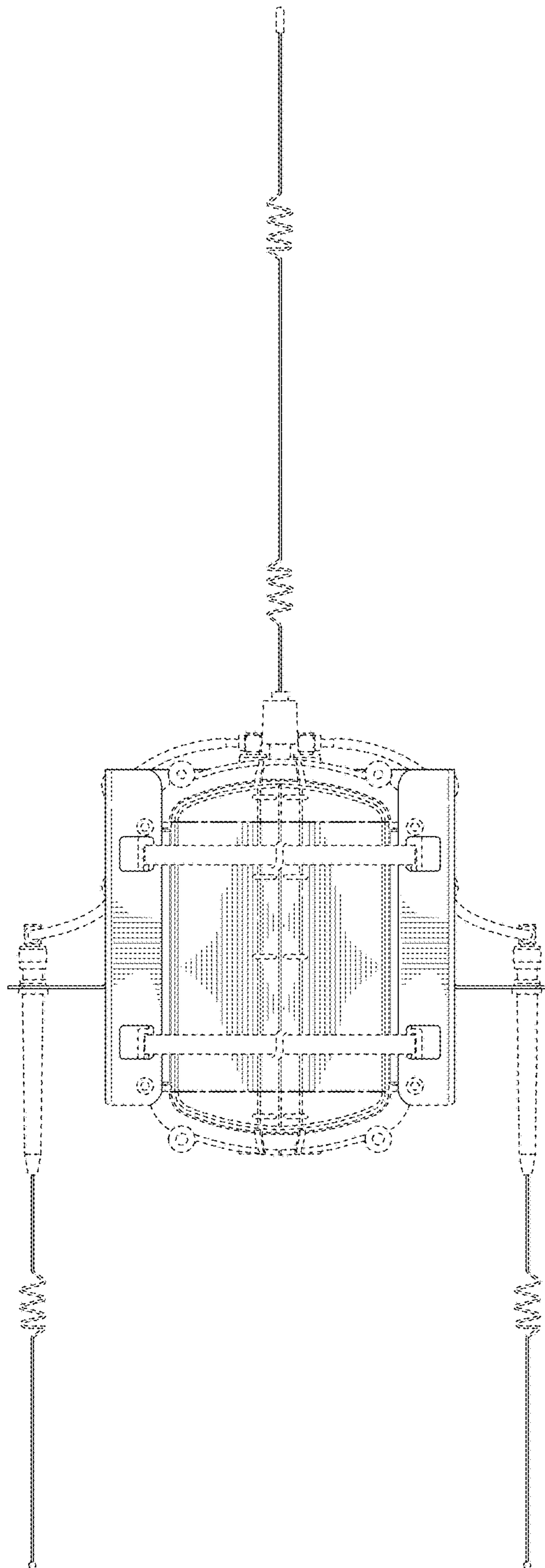


FIG. 3

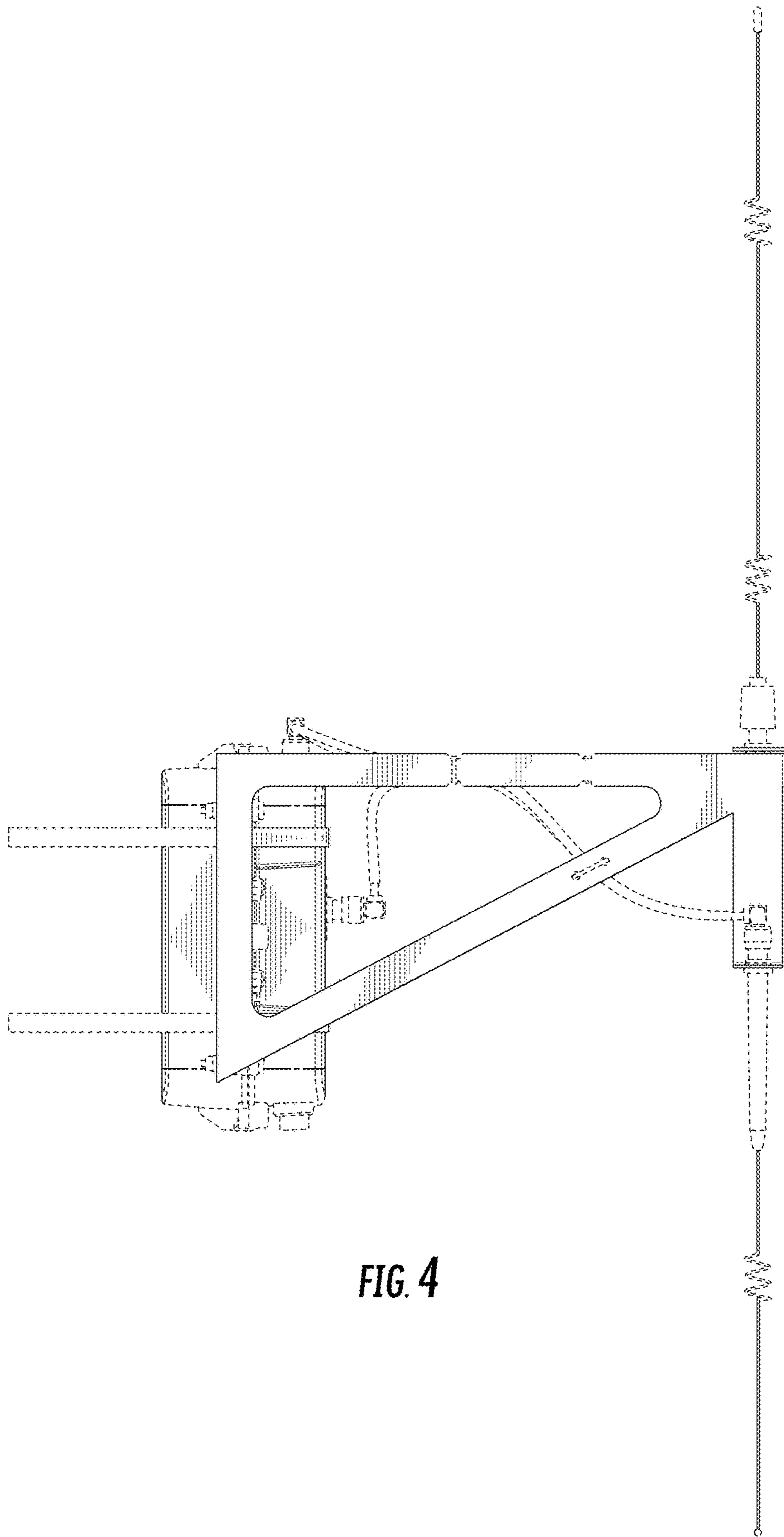


FIG. 4

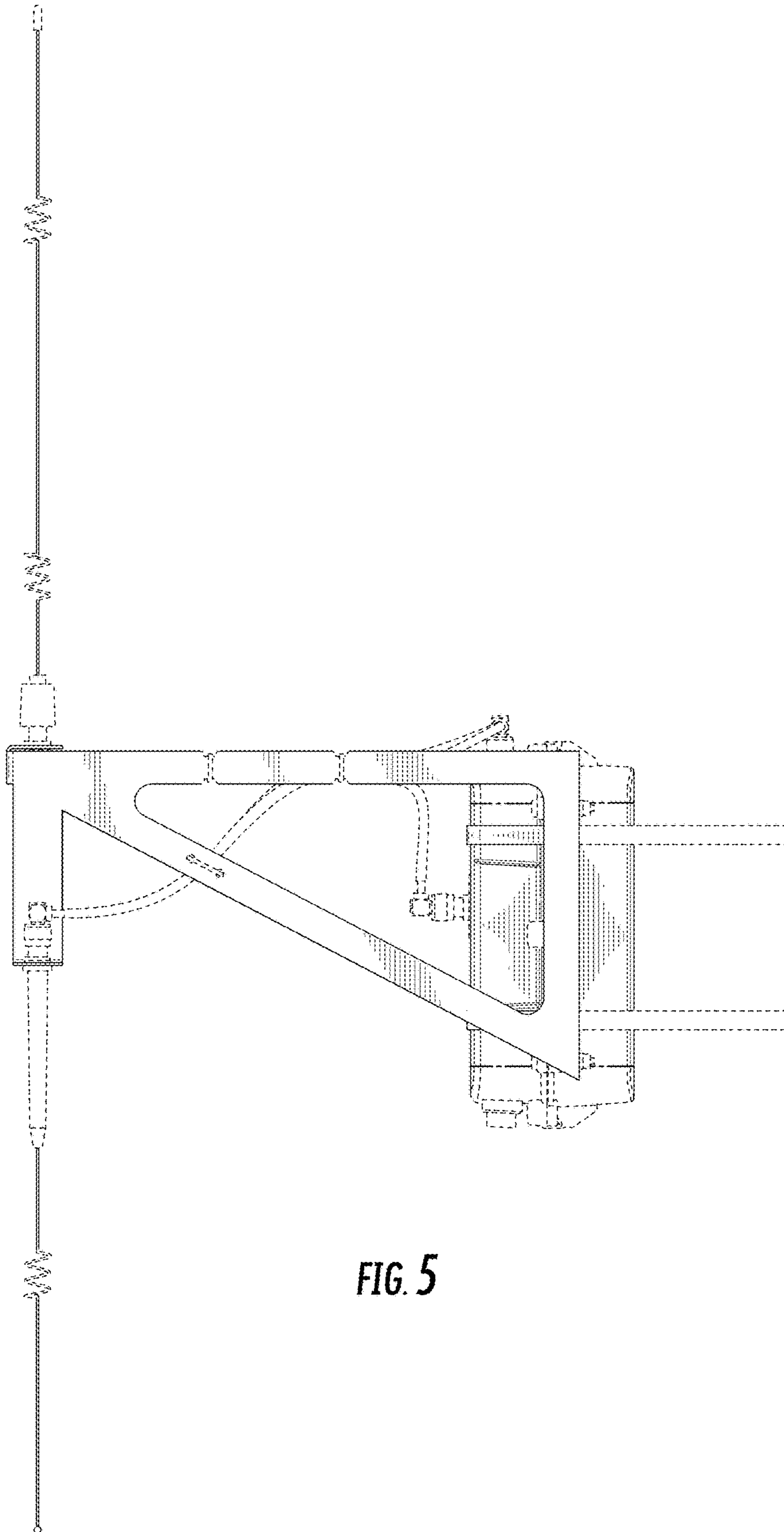


FIG. 5

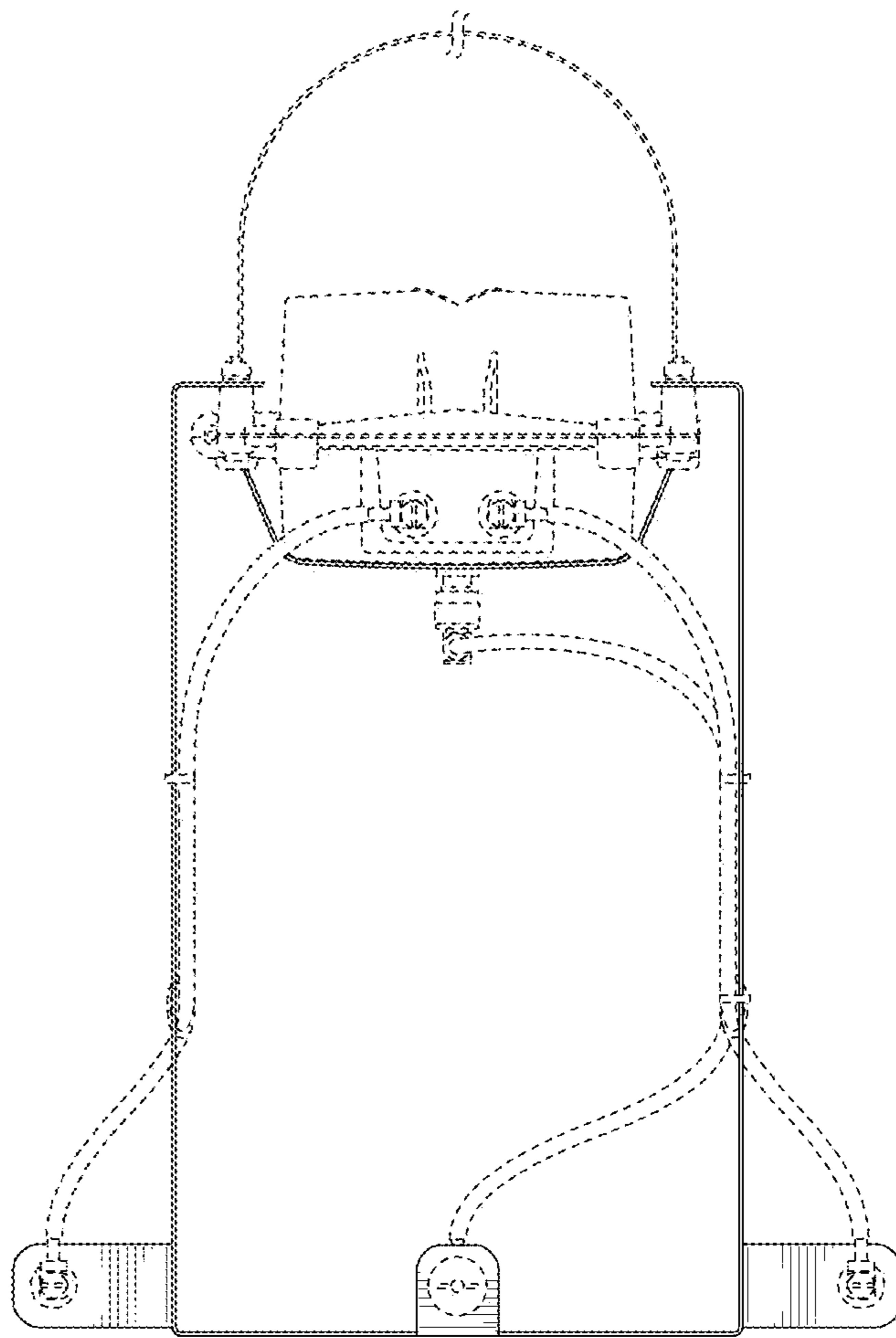


FIG. 6

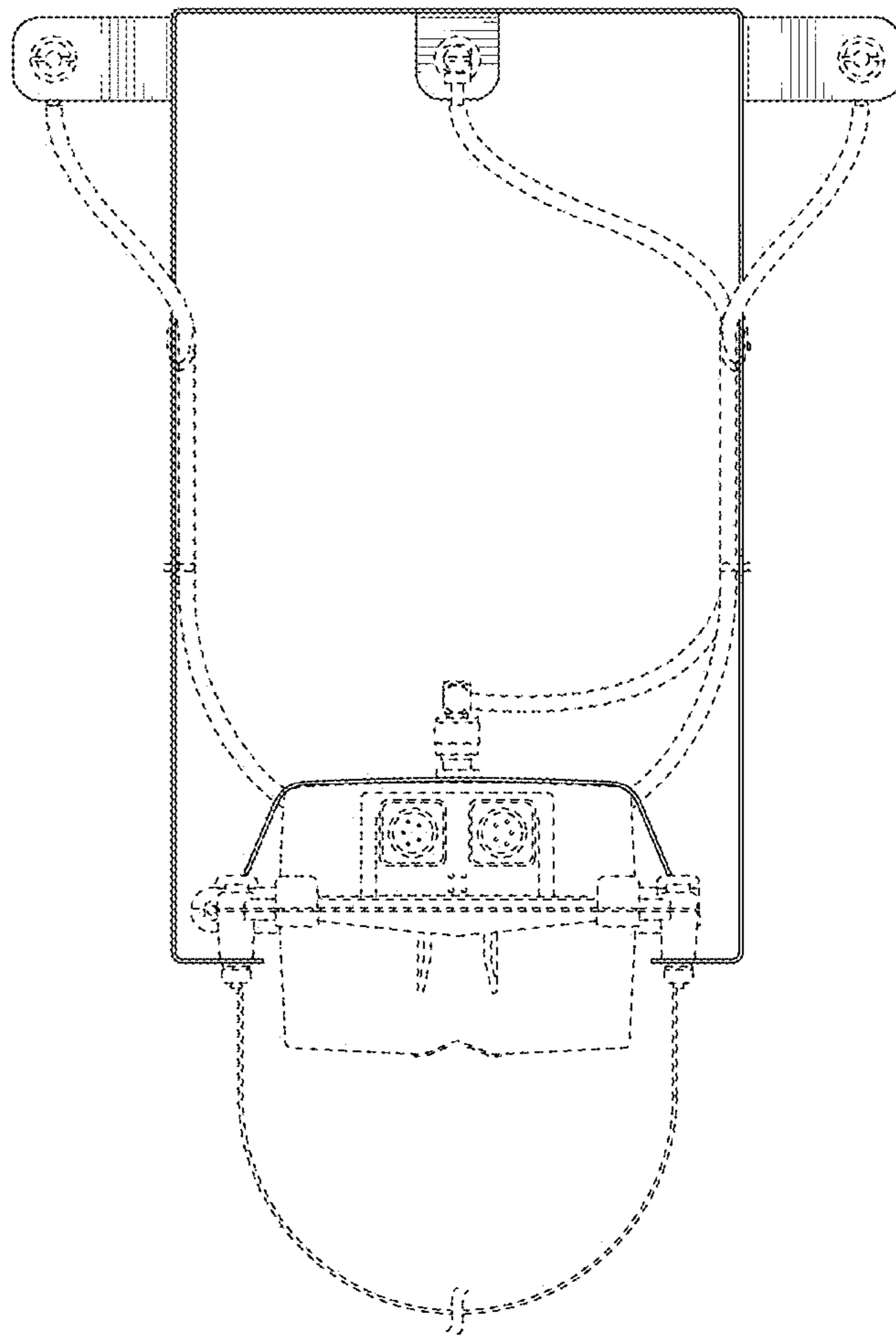


FIG. 7