



US00D781822S

(12) **United States Design Patent**
Morris et al.

(10) **Patent No.:** **US D781,822 S**
(45) **Date of Patent:** **** Mar. 21, 2017**

- (54) **EARBUD ASSEMBLY**
- (71) Applicant: **Oculus VR, LLC**, Menlo Park, CA (US)
- (72) Inventors: **Quintin Morris**, Issaquah, WA (US); **James Stocker Webb**, Seattle, WA (US); **Mark Shintaro Ando**, Seattle, WA (US); **Peter Wesley Bristol**, Seattle, WA (US); **David Tao**, Santa Clara, CA (US)
- (73) Assignee: **Oculus VR, LLC**, Menlo Park, CA (US)
- (**) Term: **15 Years**
- (21) Appl. No.: **29/550,138**
- (22) Filed: **Dec. 30, 2015**
- (51) **LOC (10) Cl.** **14-01**
- (52) **U.S. Cl.**
USPC **D14/223**
- (58) **Field of Classification Search**
USPC D14/223, 205; D24/174; D29/112; 2/209; 181/129, 130, 135; 379/430, 431, 379/452, 421; 381/380, 381, 330, 322, 381/315, 324, 328, 312, 338
CPC H04R 1/10; H04R 1/1016; H04R 25/00; H04R 5/033; H04R 5/0335; H05K 5/00
See application file for complete search history.

(56) **References Cited**

U.S. PATENT DOCUMENTS

- 1,969,559 A * 8/1934 Kelly H04R 25/60 381/151
- 2,151,706 A * 3/1939 Lieber H04R 25/606 181/137
- 2,249,572 A * 7/1941 Lieber H04M 1/05 351/158

- 2,482,044 A * 9/1949 Vernier H04R 11/00 381/151
- 2,506,524 A * 5/1950 Stuck H04B 1/086 307/149
- 2,545,731 A * 3/1951 French H04R 25/604 181/135
- 2,681,389 A * 6/1954 Shaper H04R 11/00 367/132

(Continued)

OTHER PUBLICATIONS

U.S. Appl. No. 29/550,170 by Bristol, P., et al., filed Dec. 30, 2015.
(Continued)

Primary Examiner — Paula Greene

(74) *Attorney, Agent, or Firm* — Perkins Coie LLP

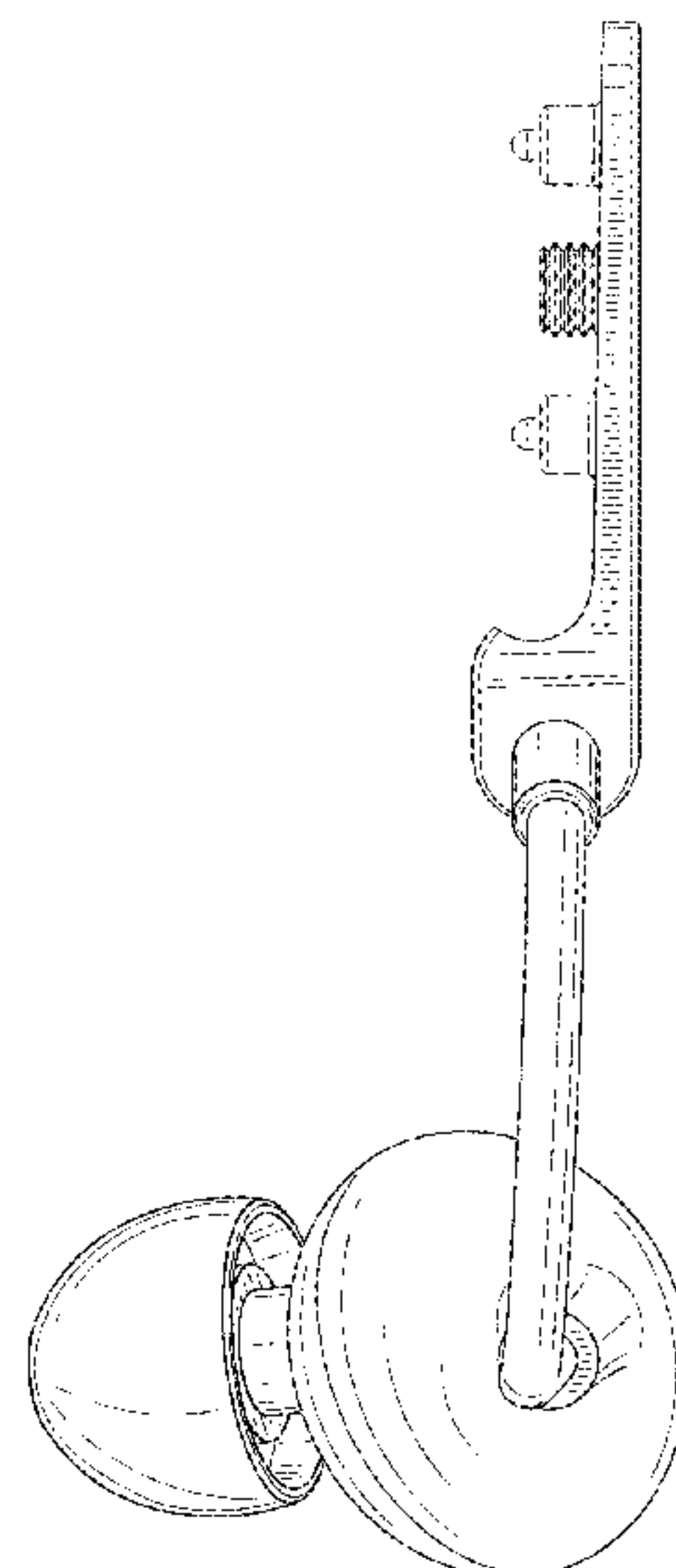
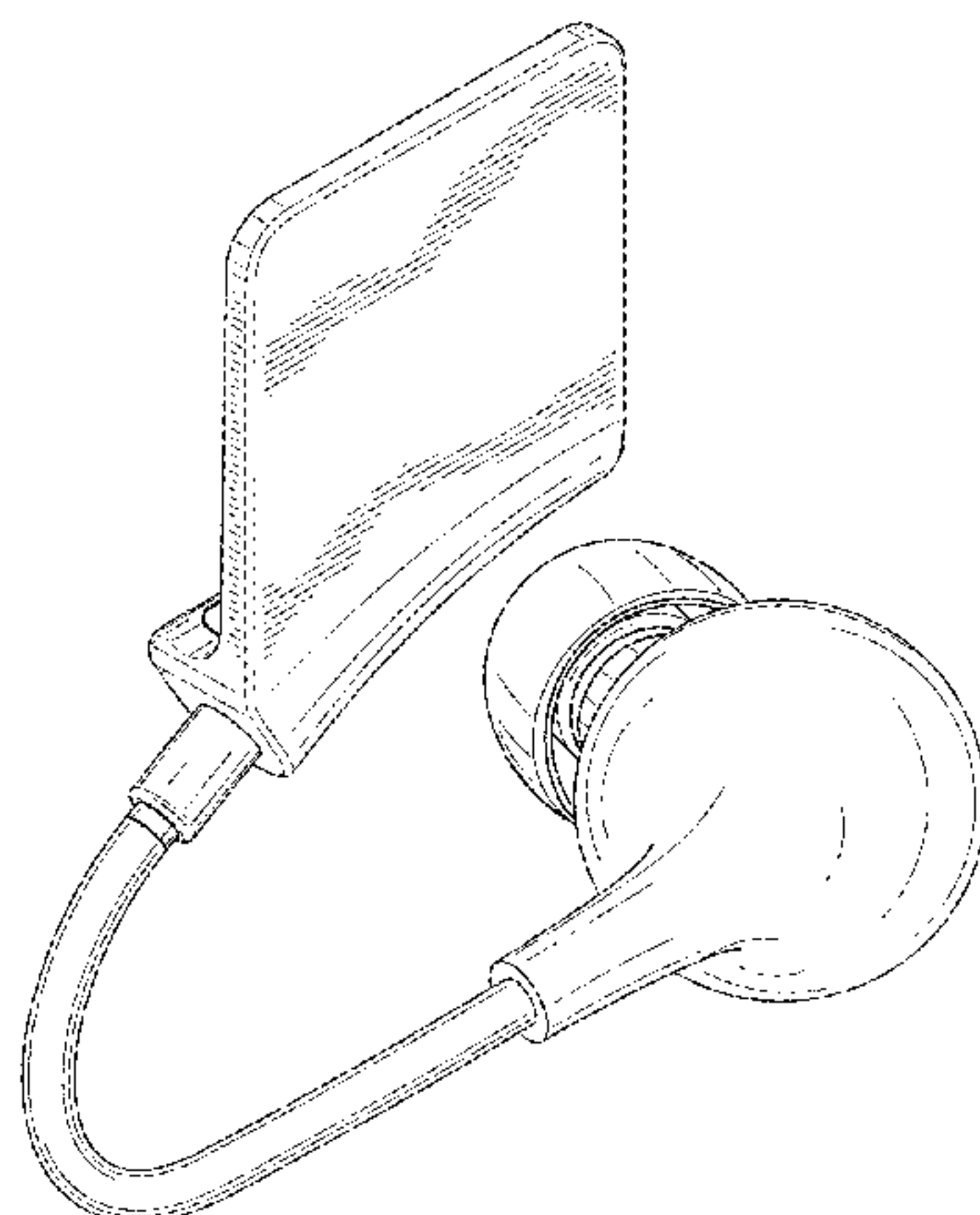
(57) **CLAIM**

The ornamental design for a earbud assembly, as shown and described.

DESCRIPTION

FIG. 1 is a front isometric view of a left earbud assembly showing our new design;
 FIG. 2 is a front elevation view thereof.
 FIG. 3 is a rear elevation view thereof.
 FIG. 4 is a left side elevation view thereof.
 FIG. 5 is a right side elevation view thereof.
 FIG. 6 is a top plan view thereof.
 FIG. 7 is a bottom plan view thereof.
 FIG. 8 is a front isometric view of a right earbud assembly showing our new design;
 FIG. 9 is a front elevation view thereof.
 FIG. 10 is a rear elevation view thereof.
 FIG. 11 is a left side elevation view thereof.
 FIG. 12 is a right side elevation view thereof.
 FIG. 13 is a top plan view thereof; and,
 FIG. 14 is a bottom plan view thereof.

1 Claim, 14 Drawing Sheets



(56)

References Cited

U.S. PATENT DOCUMENTS

3,154,171 A * 10/1964 Knutson H04R 1/086
181/158
3,496,306 A * 2/1970 Pollak H04R 25/608
29/896.21
3,598,928 A * 8/1971 Hickox H04R 25/608
200/292
3,976,848 A * 8/1976 Estes H04R 25/48
181/166
4,073,366 A * 2/1978 Estes G10K 11/002
181/158
4,273,969 A * 6/1981 Foley H04M 1/05
174/86
5,046,580 A * 9/1991 Barton H04R 25/656
128/866
D367,640 S * 3/1996 Nagele D13/103
5,753,870 A * 5/1998 Schlaegel H04R 25/48
181/129
D411,885 S * 7/1999 Mavrakis D24/174
6,529,372 B1 * 3/2003 Ng G06F 1/163
312/223.2
D483,013 S * 12/2003 Tsukamoto D13/103
6,681,022 B1 * 1/2004 Puthuff H04R 1/105
379/431
D493,175 S * 7/2004 Schmidt D13/110
D494,568 S * 8/2004 Pan D14/206
D506,258 S * 6/2005 Nielsen D24/174
D515,070 S * 2/2006 Andre D14/205
7,076,077 B2 * 7/2006 Atsumi H04R 1/1066
381/151
D526,642 S * 8/2006 Choe D14/205
D541,420 S * 4/2007 Darbut D24/174

D552,595 S * 10/2007 Viduya D14/205
D567,216 S * 4/2008 Densho D14/205
D587,682 S * 3/2009 Miles D14/205
D591,721 S * 5/2009 Densho D14/205
D591,722 S * 5/2009 Densho D14/205
D619,122 S * 7/2010 Nomura D14/223
D627,766 S * 11/2010 Arimoto D14/223
D633,086 S * 2/2011 Chen D14/223
D659,118 S * 5/2012 Watters D14/206
D662,493 S * 6/2012 Chen D14/223
D664,523 S * 7/2012 Naitou D14/223
D676,027 S * 2/2013 Hedrick D14/223
D718,283 S * 11/2014 Thompson D14/223
D755,158 S * 5/2016 Lee D14/205
2001/0046305 A1 * 11/2001 Muranami G06F 1/1632
381/77
2004/0203521 A1 * 10/2004 Nassimi H04M 1/05
455/90.3
2013/0188803 A1 * 7/2013 Shaanan H04R 5/033
381/74

OTHER PUBLICATIONS

Examiner's Report in Canadian Patent Application No. 166908,
mailing date May 14, 2016, 2 pages.
Examiner's Report in Canadian Patent Application No. 166908,
mailing date Sep. 15, 2016, 2 pages.
First Examination Report in Indian Patent Application No. 281598,
mailing date Jun. 28, 2016, 45 pages.
First Examination Report in Israeli Patent Application No. 58463,
mailing date Aug. 11, 2016, 2 pages.
U.S. Appl. No. 29/550,149 by Morris, Q., et al., filed Dec. 30, 2015.
U.S. Appl. No. 29/550,158 by Bristol, P., et al., filed Dec. 30, 2015.

* cited by examiner

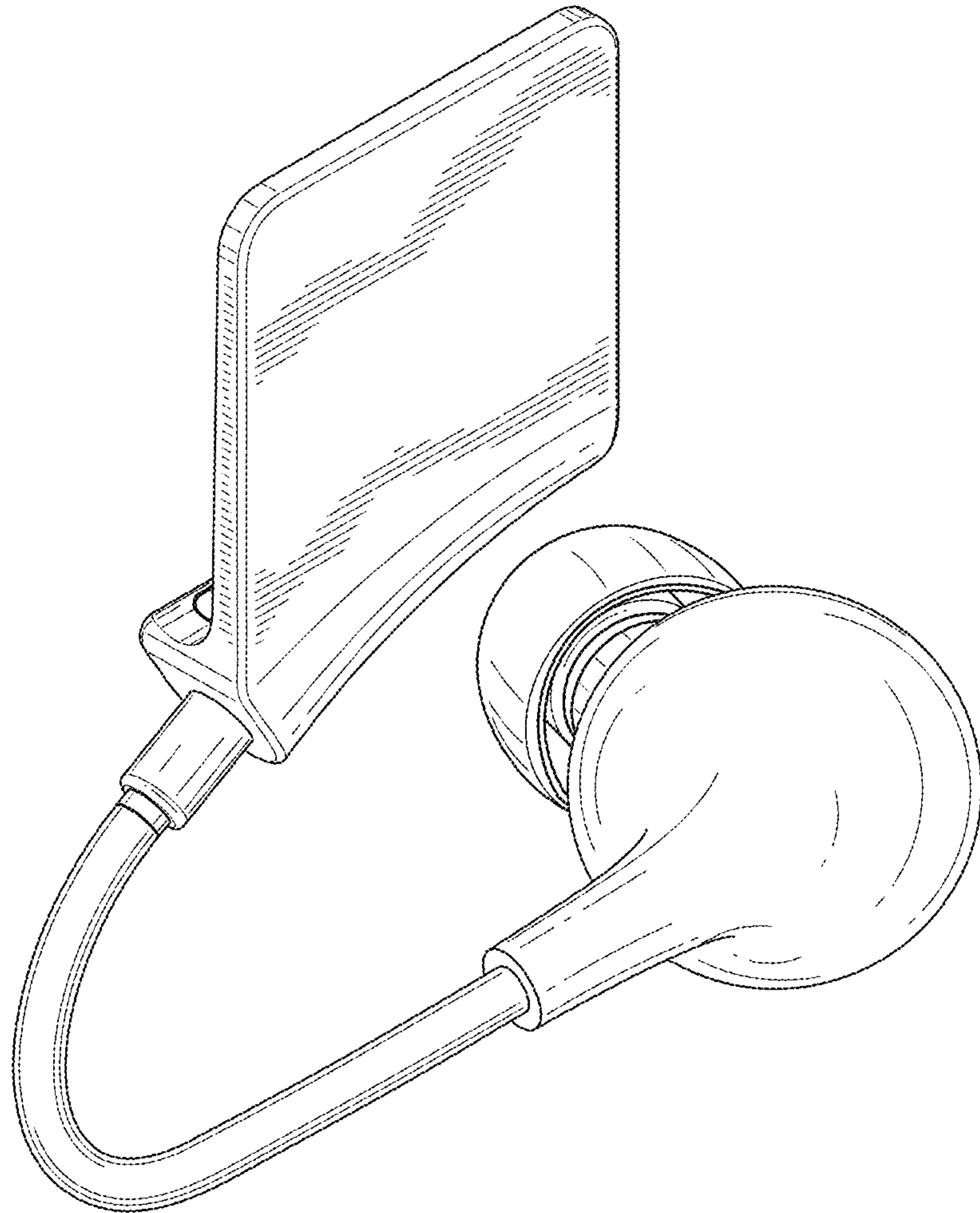


Fig. 1

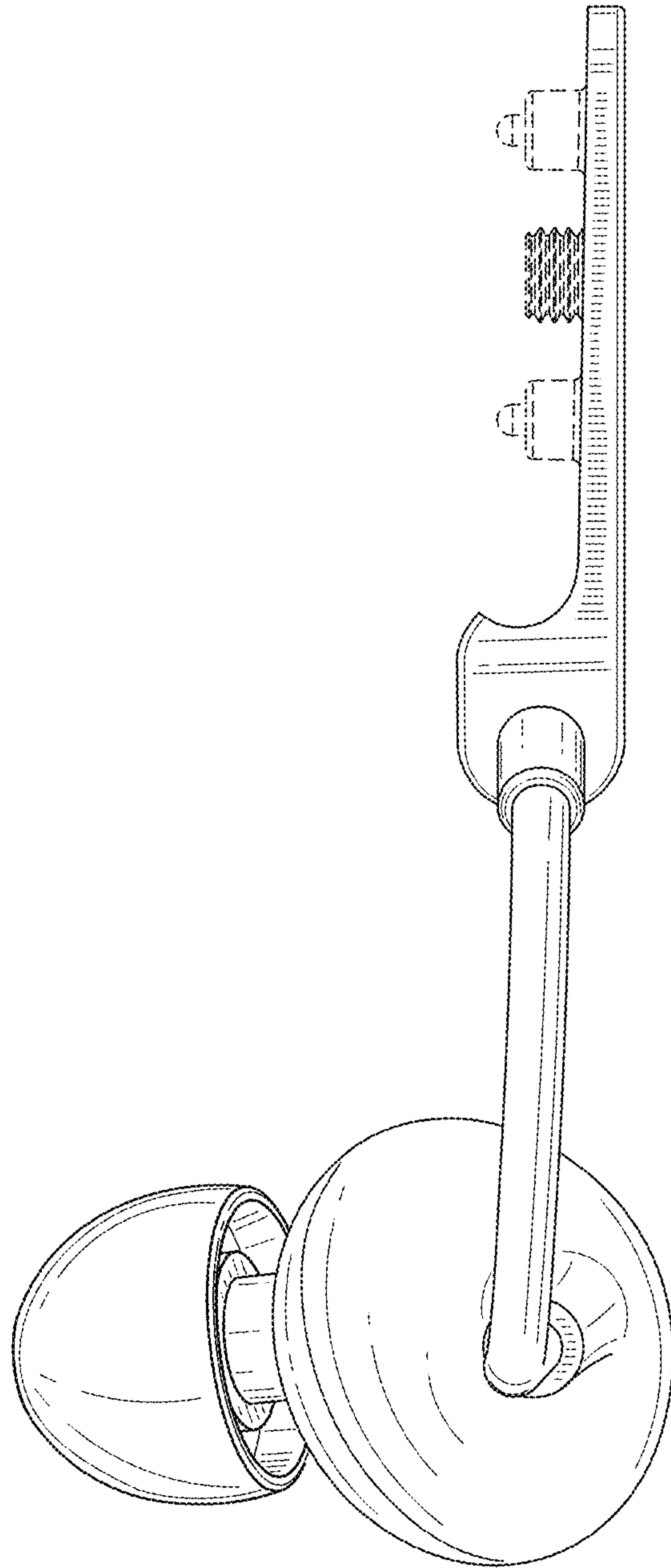


Fig. 2

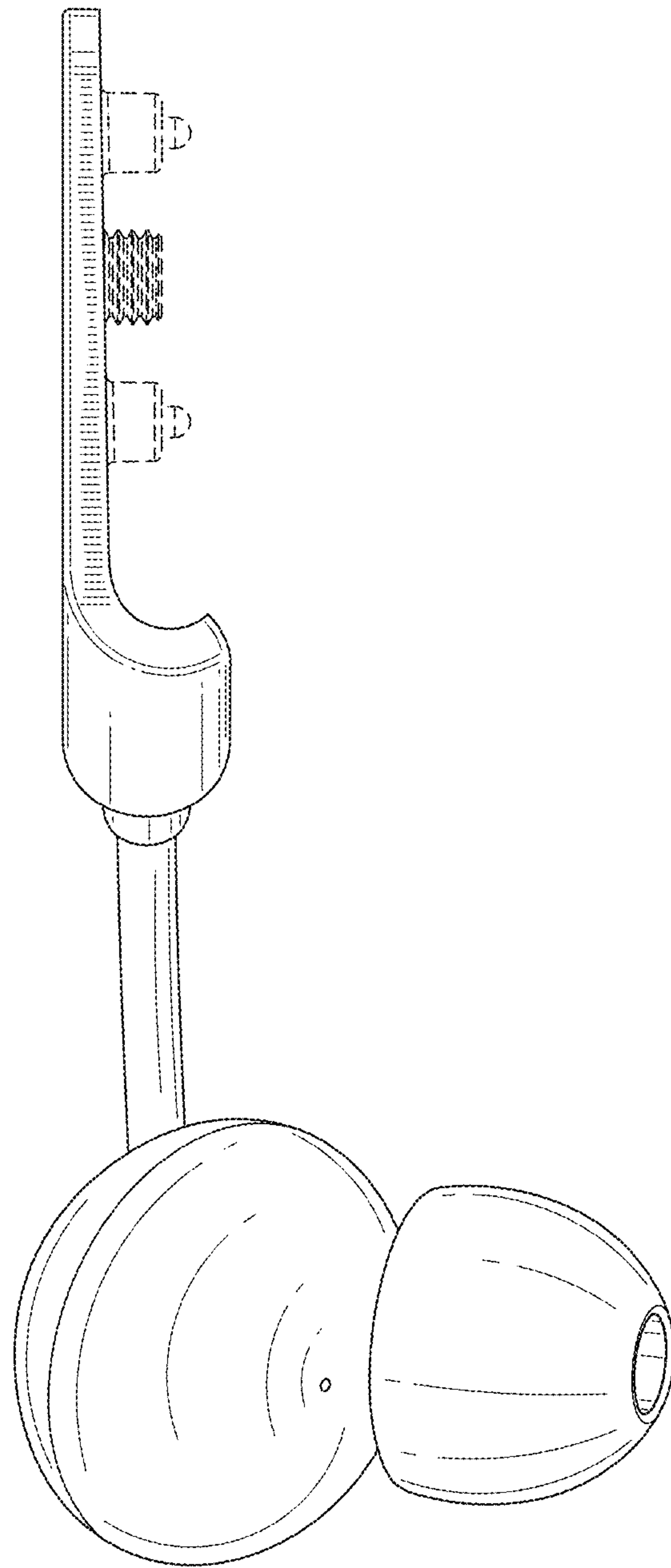


Fig. 3

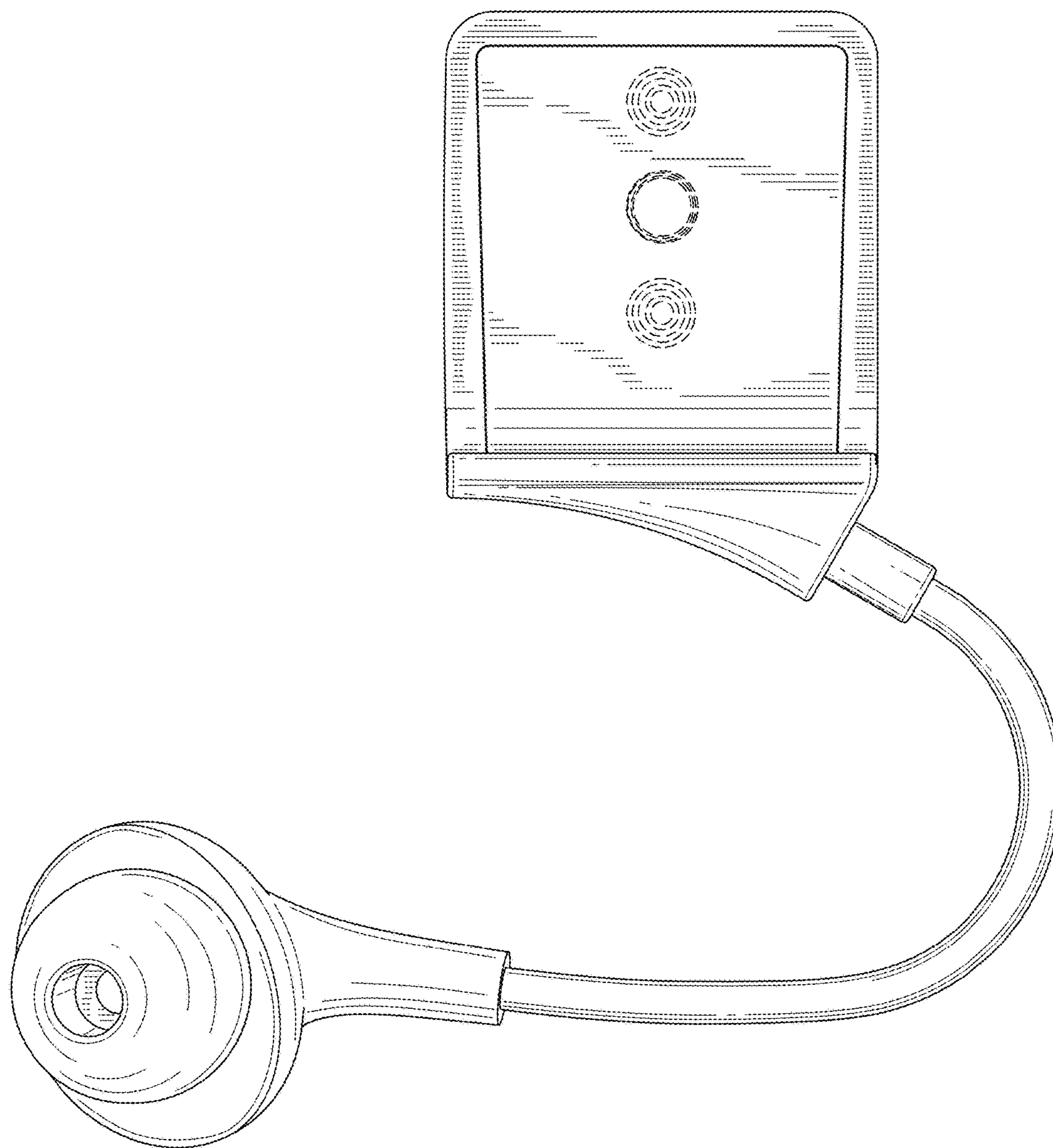


Fig. 4

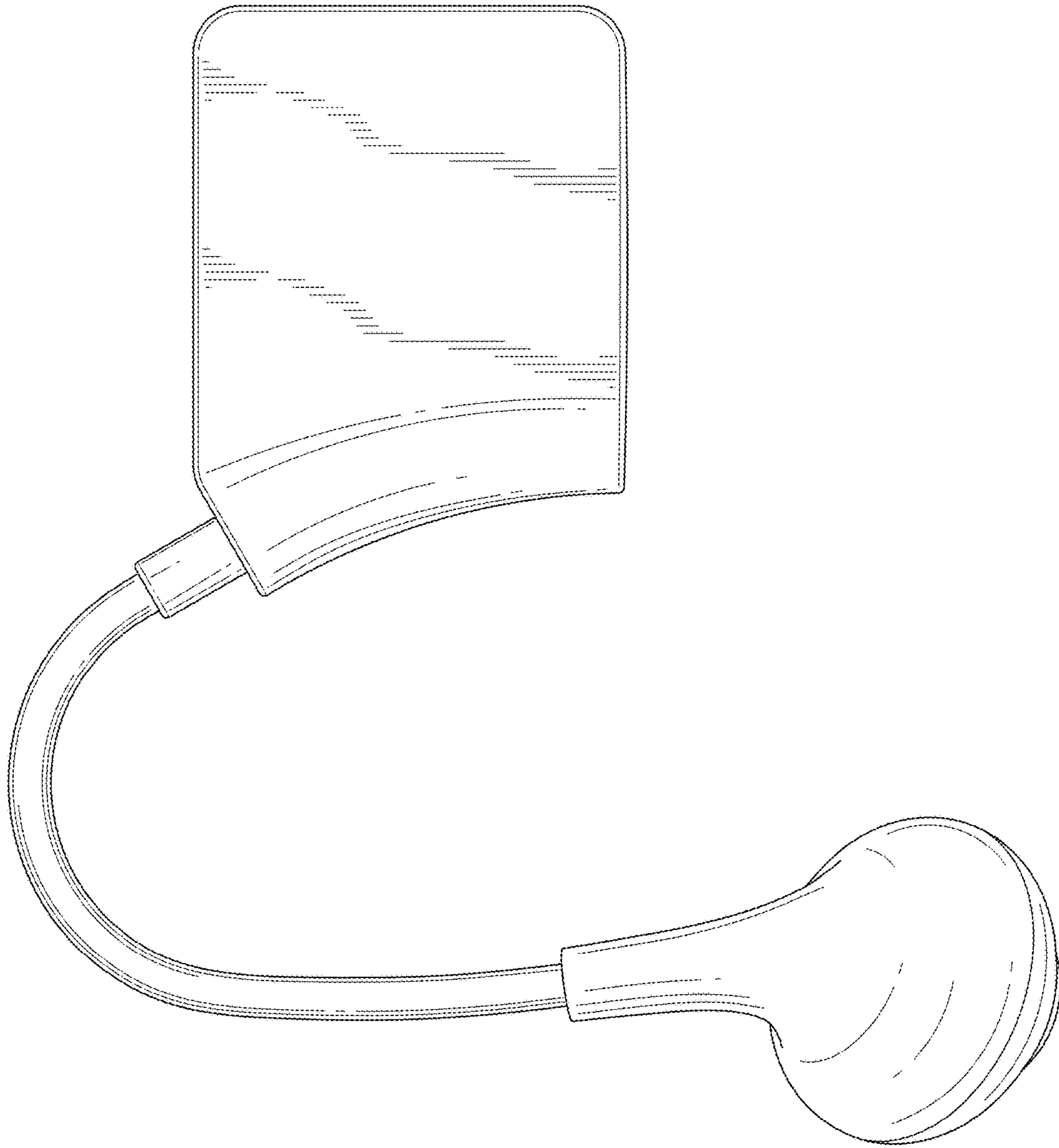


Fig. 5

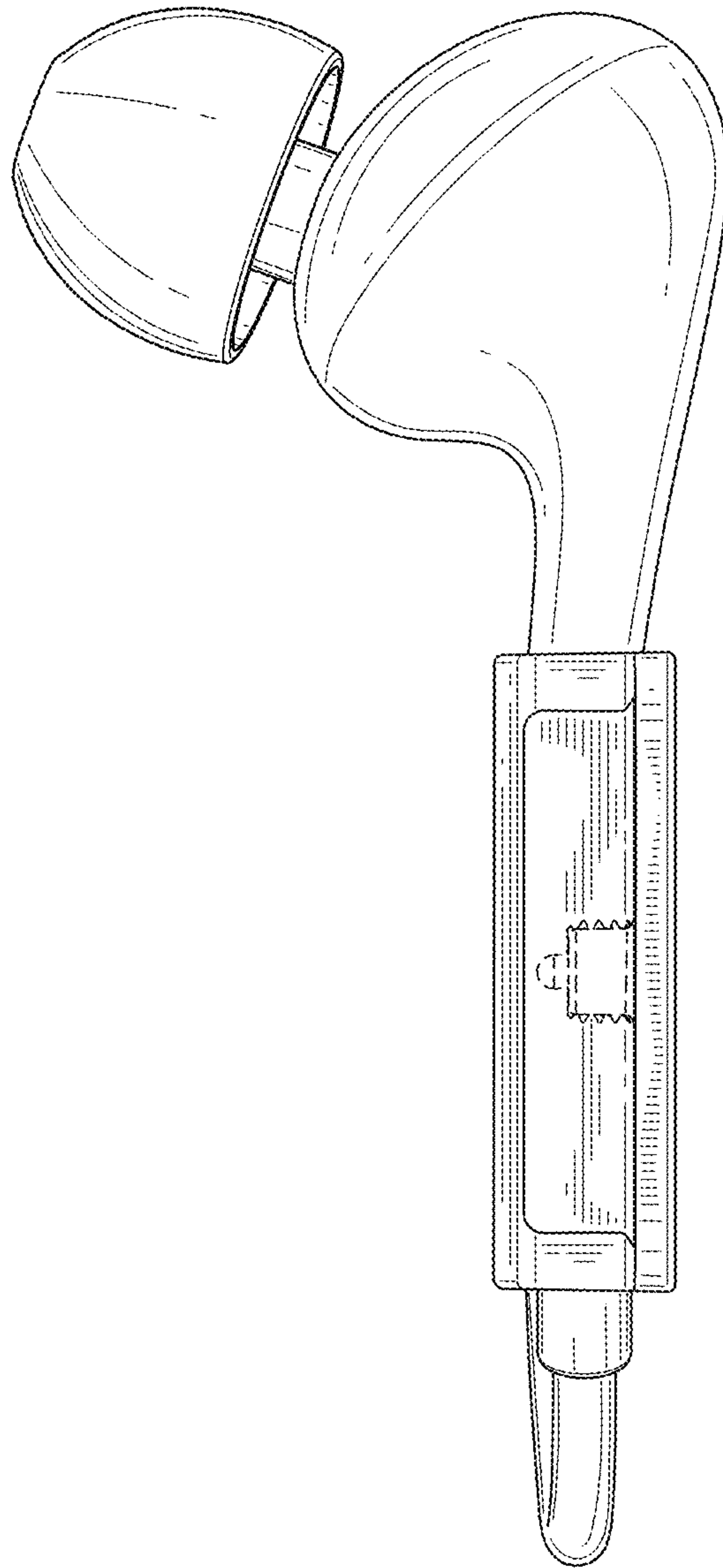


Fig. 6

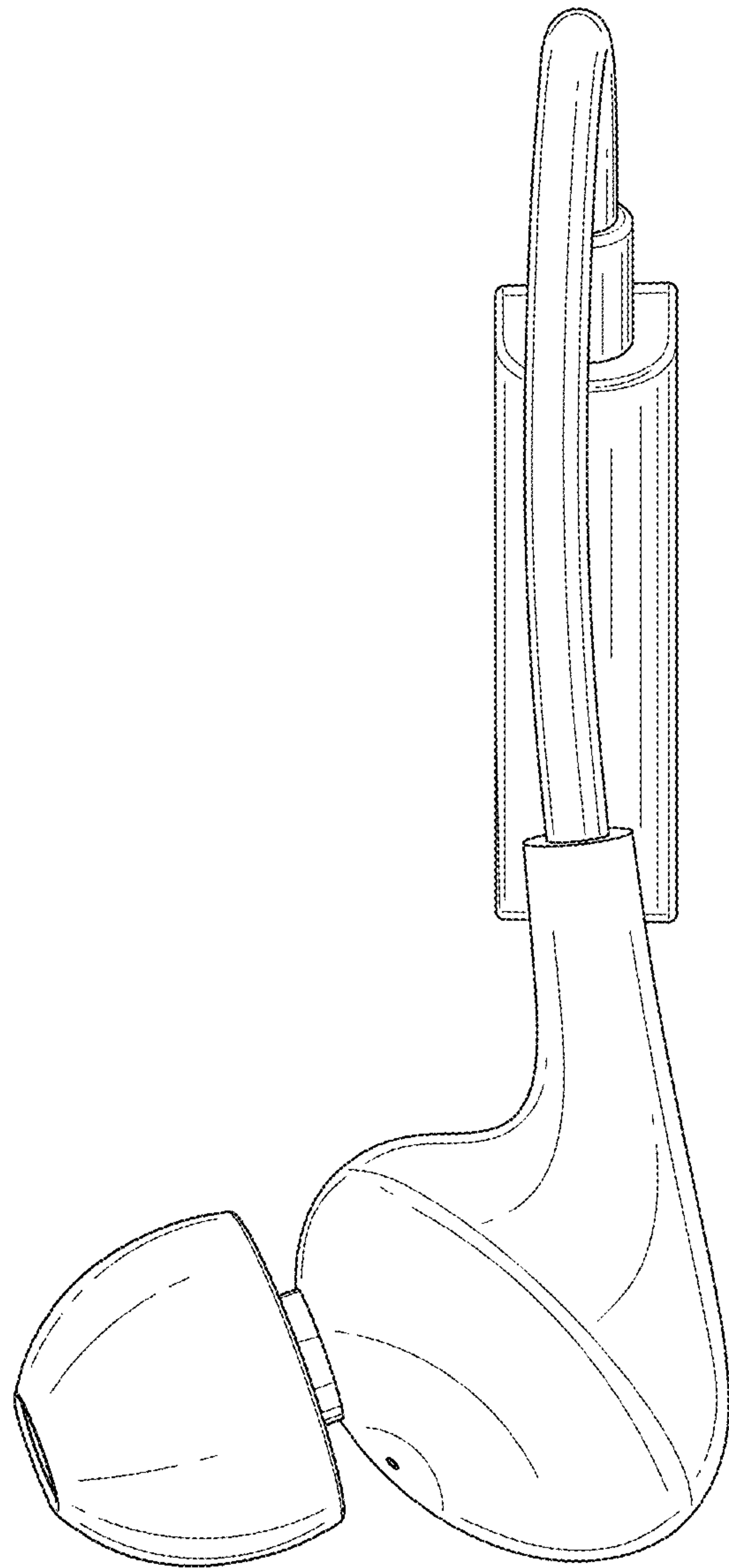


Fig. 7

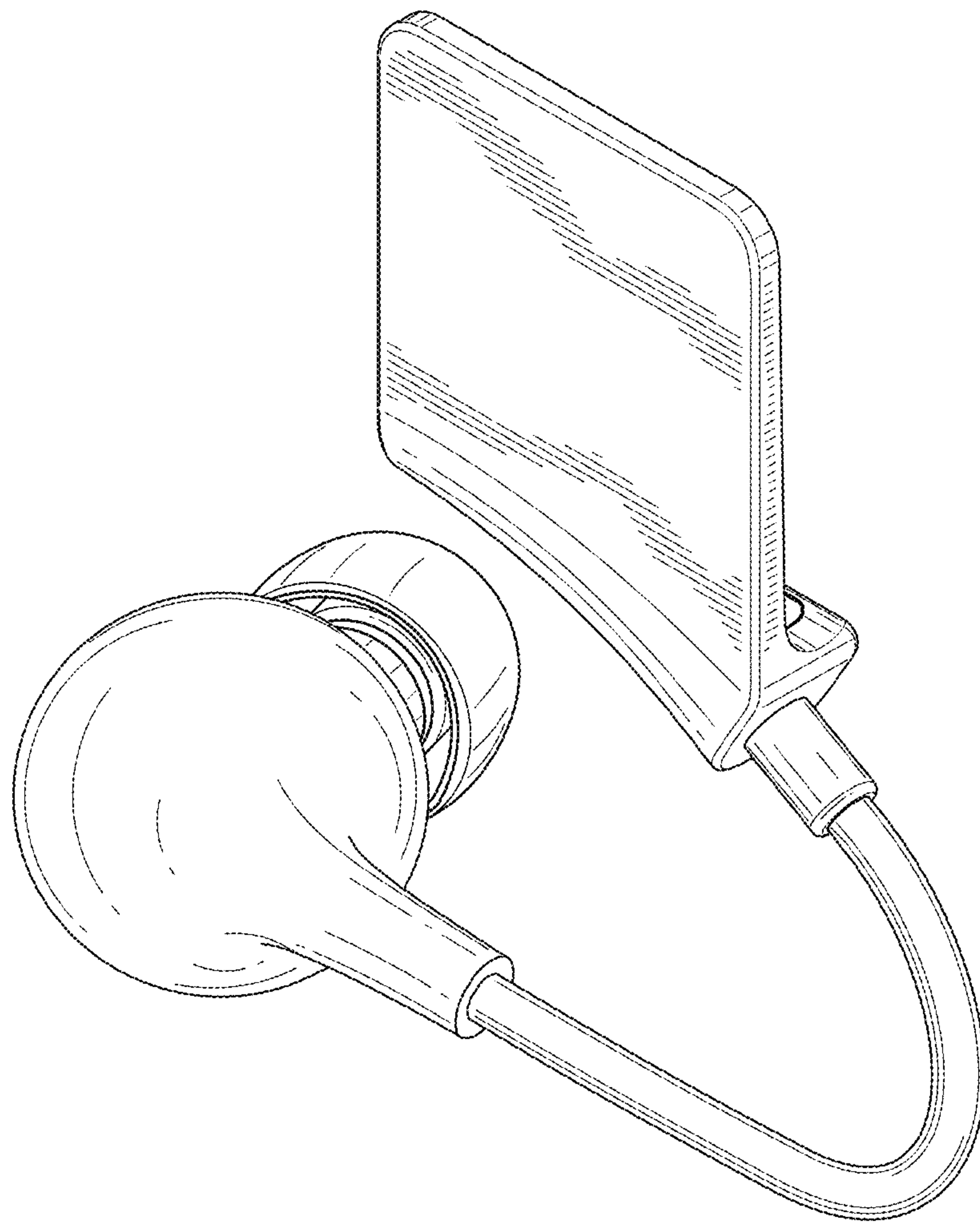


Fig. 8

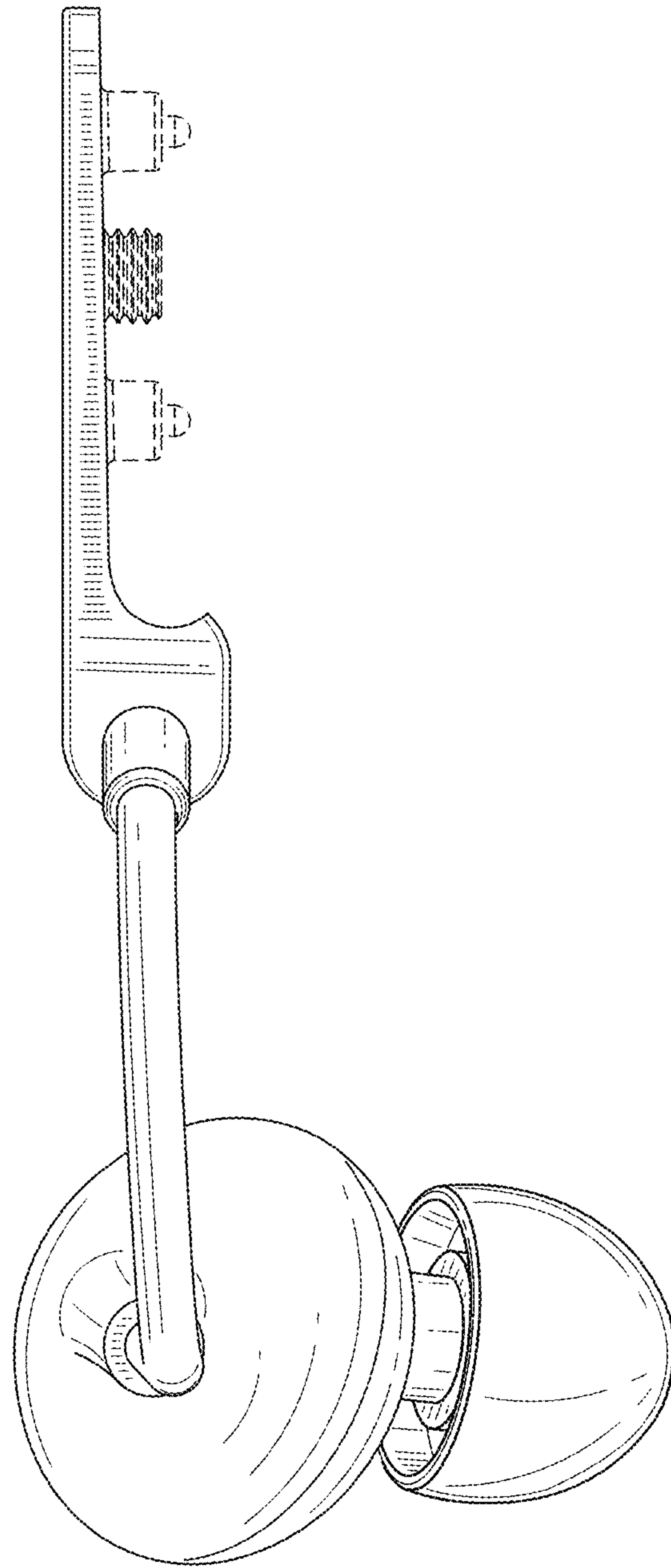


Fig. 9

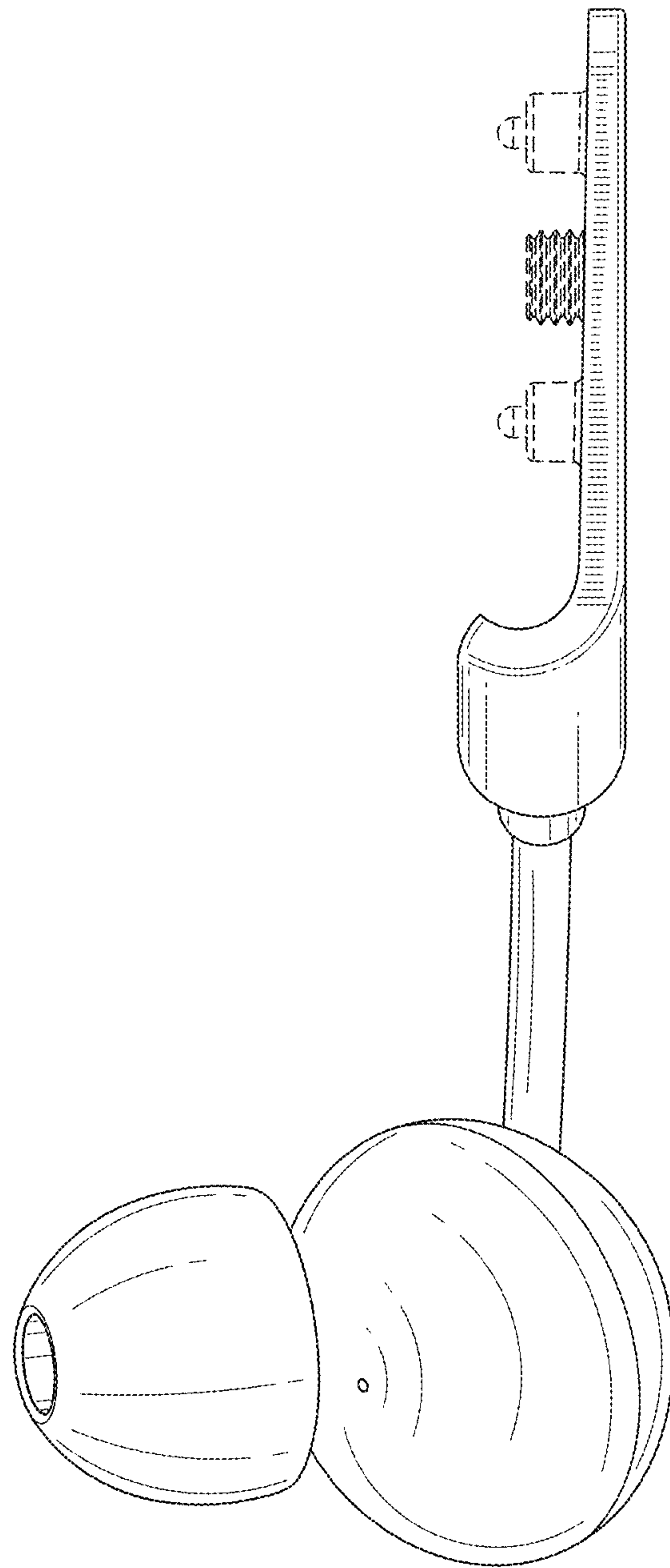


Fig. 10

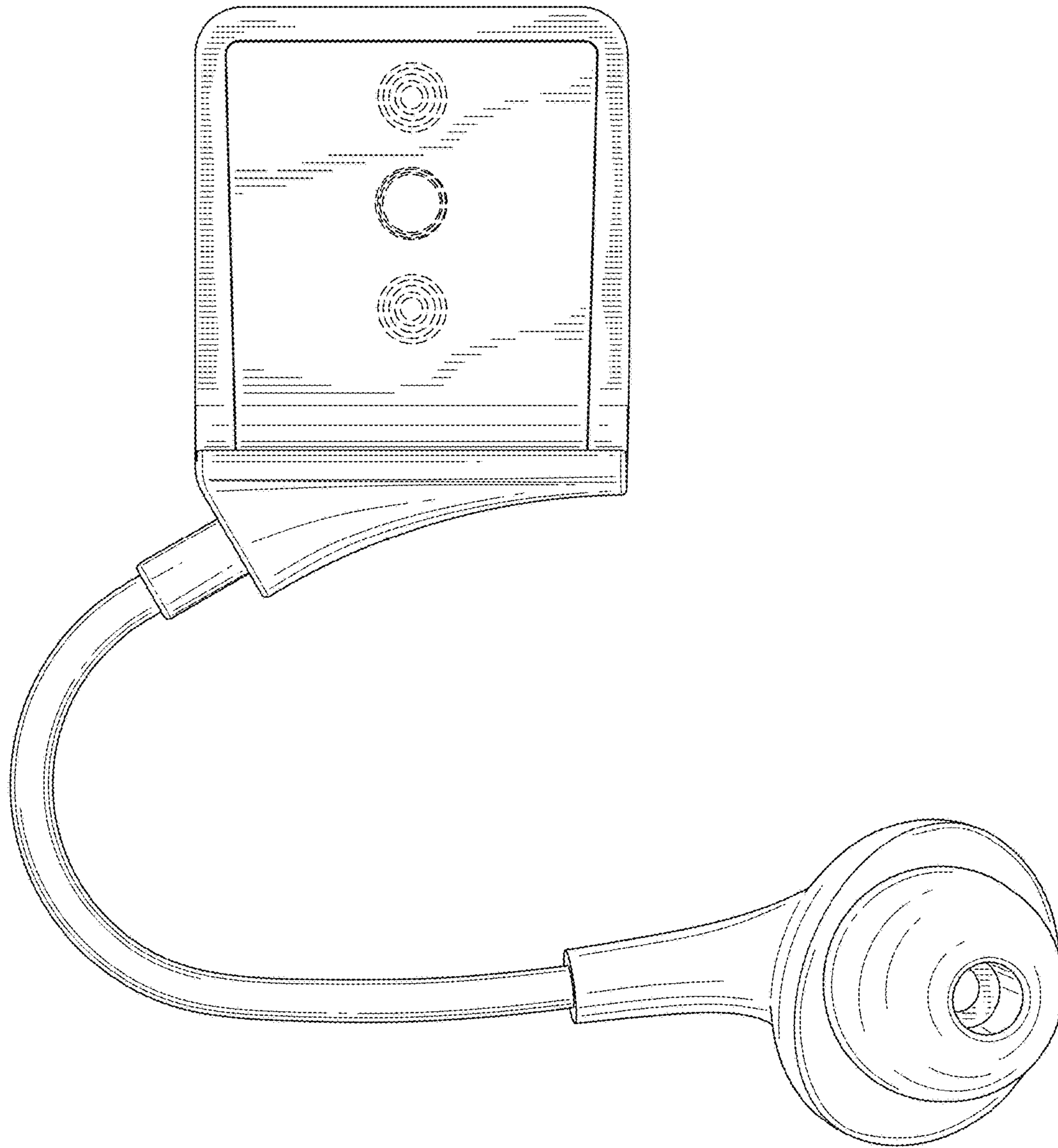


Fig. 11

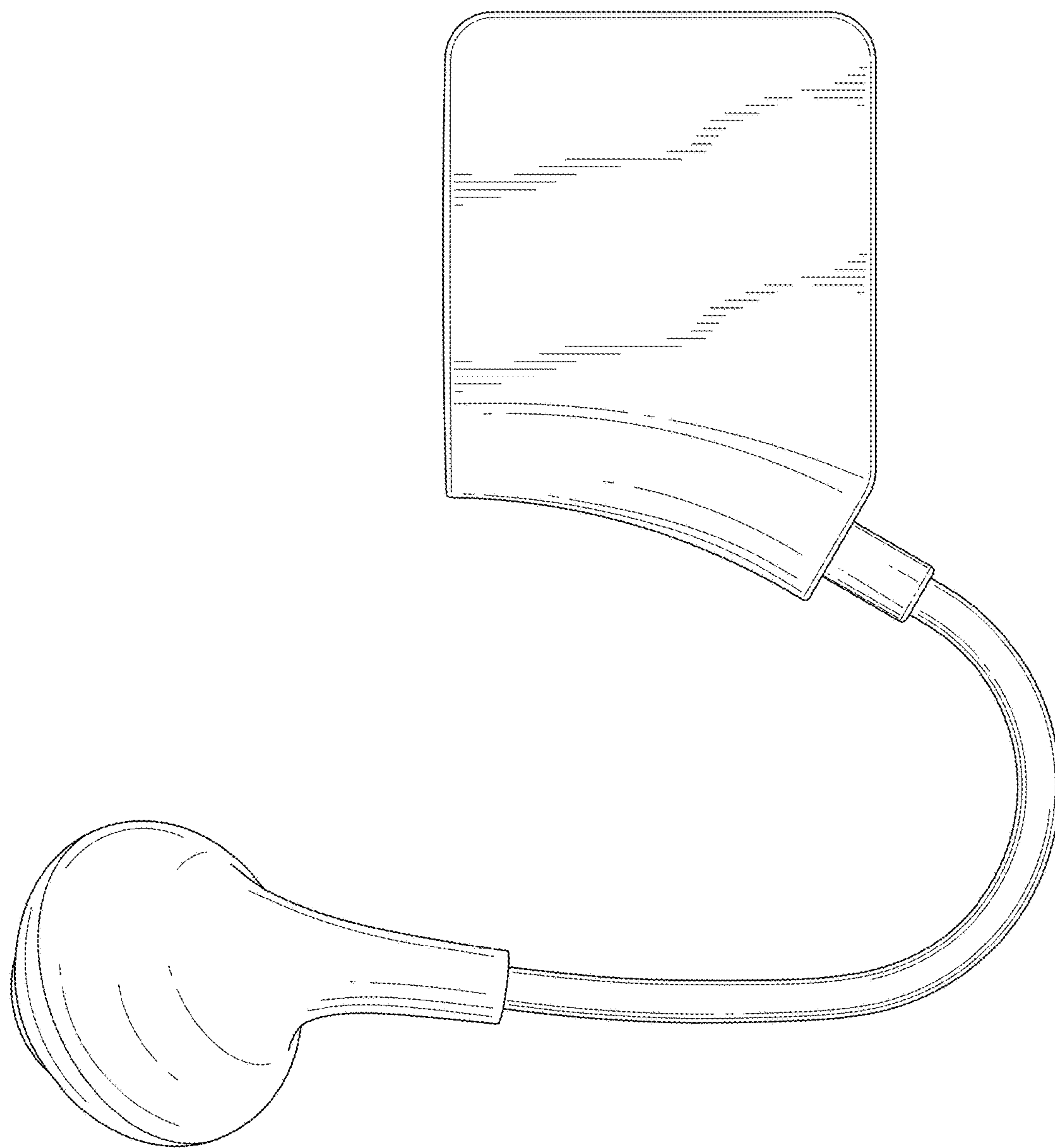


Fig. 12

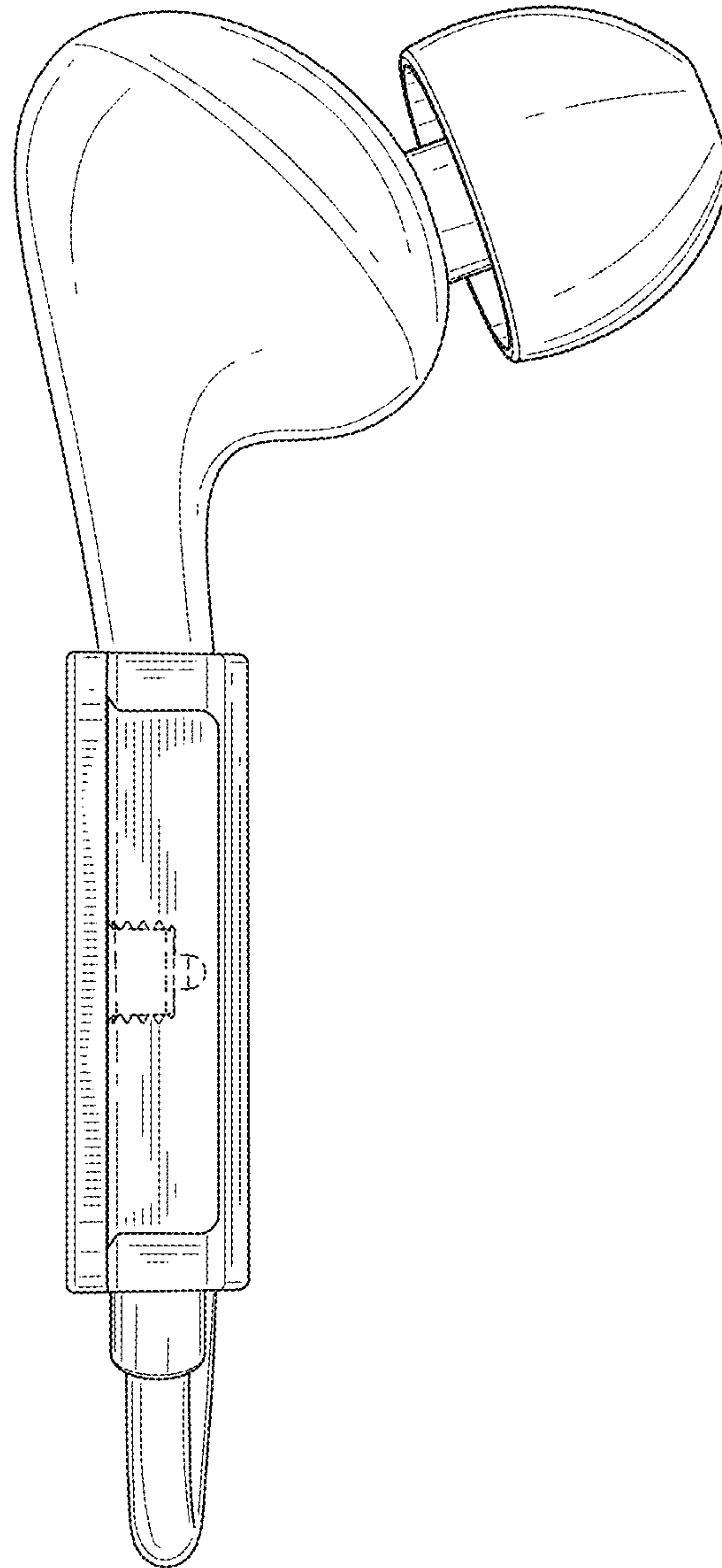


Fig. 13

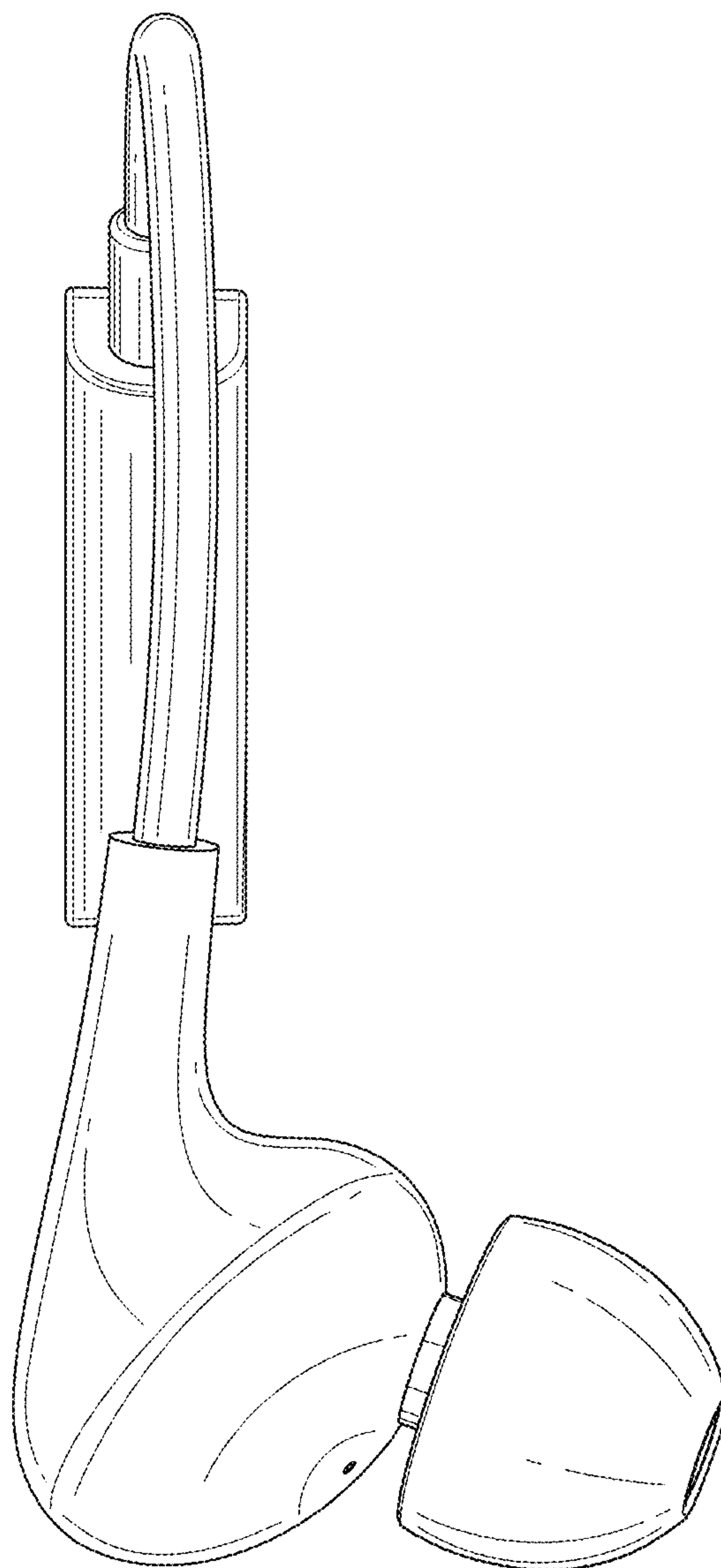


Fig. 14