



US00D781821S

(12) **United States Design Patent**
Petersen

(10) **Patent No.:** **US D781,821 S**
(45) **Date of Patent:** **** Mar. 21, 2017**

- (54) **EARPHONE**
- (71) Applicant: **Zound Industries International AB**,
Stockholm (SE)
- (72) Inventor: **Erik Petersen**, Stockholm (SE)
- (**) Term: **15 Years**
- (21) Appl. No.: **29/526,802**
- (22) Filed: **May 13, 2015**
- (51) **LOC (10) Cl.** **14-01**
- (52) **U.S. Cl.**
USPC **D14/223**; D14/205
- (58) **Field of Classification Search**
USPC D14/205, 223; D24/106, 174; 600/25;
181/129, 130, 135; 379/430, 431;
381/322, 325, 328, 380, 381, 337;
455/90.3, 575.1
CPC H04R 1/1033; H04R 1/1016; H04R 25/00;
H04R 1/10; H04R 1/1066
See application file for complete search history.

- 5,363,444 A * 11/1994 Norris H04M 1/05
379/430
 - 5,606,621 A * 2/1997 Reiter H04R 25/456
381/328
 - D457,514 S * 5/2002 Marion D14/223
 - D467,907 S * 12/2002 Marion D14/223
 - D539,268 S * 3/2007 Suzuki D14/206
 - D562,809 S * 2/2008 Yang D14/223
 - D569,841 S * 5/2008 Chung D14/205
 - D578,507 S * 10/2008 Ando D14/205
 - D579,005 S * 10/2008 Wilhelmsen D14/223
 - D587,681 S * 3/2009 Yanai D14/205
 - D590,375 S * 4/2009 Komiyama D14/223
 - D594,441 S * 6/2009 Lee D14/205
 - 7,551,748 B2 * 6/2009 Kamo H04R 1/1016
381/328
 - D599,778 S * 9/2009 Ando D14/205
- (Continued)

Primary Examiner — Paula Greene
(74) *Attorney, Agent, or Firm* — Alonzo & Associates;
Arlyn Alonzo

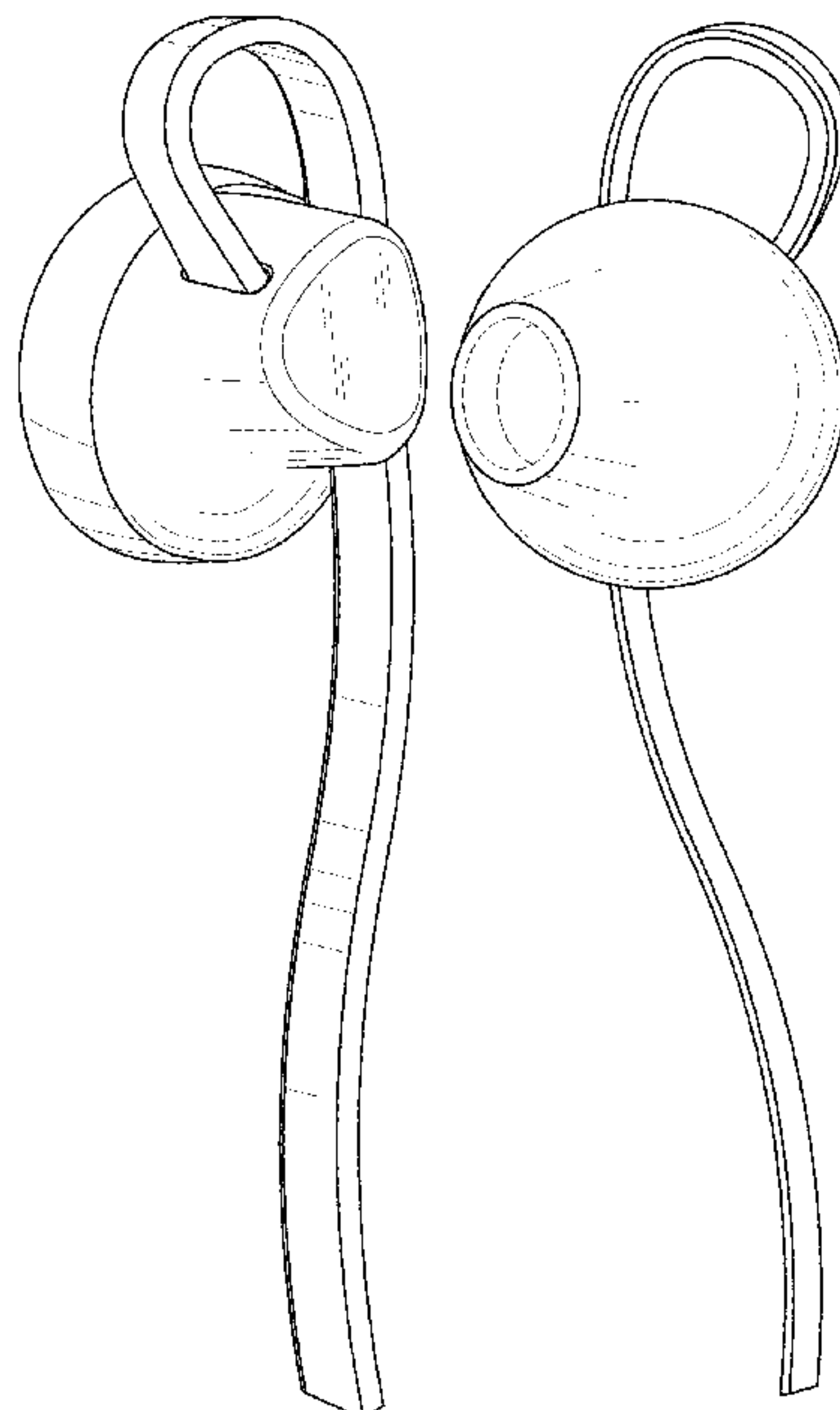
(57) **CLAIM**
The ornamental design for an earphone, as shown and described.

DESCRIPTION

FIG. 1 is a perspective view of an exemplary earphone.
FIG. 2 is a front view thereof.
FIG. 3 is a back view thereof.
FIG. 4 is a right side view thereof.
FIG. 5 is a left side view thereof.
FIG. 6 is a top view thereof; and,
FIG. 7 is a bottom view thereof.
The design is an earphone comprising a strap. The perimeter of the insert opening of the earphone is shown by broken lines in FIG. 3.
The broken lines depict environment and form no part of the claimed design.

1 Claim, 6 Drawing Sheets

- (56) **References Cited**
U.S. PATENT DOCUMENTS
- 1,753,817 A * 4/1930 Aber H04R 25/652
128/864
- 2,430,229 A * 11/1947 Kelsey H04R 1/1058
181/130
- 2,545,731 A * 3/1951 French H04R 25/604
181/135
- 3,440,365 A * 4/1969 Hazell H04M 1/05
379/430
- 4,133,984 A * 1/1979 Akiyama H04R 25/456
181/135
- 4,429,194 A * 1/1984 Kamon H04R 1/1016
381/371
- D309,306 S * 7/1990 Weiser D14/249



(56)

References Cited

U.S. PATENT DOCUMENTS

D614,168	S	*	4/2010	Rogers	D14/206
D618,211	S	*	6/2010	Oguro	D14/205
D621,389	S	*	8/2010	Nagayama	D14/223
D623,630	S	*	9/2010	Ohori	D14/223
D628,193	S	*	11/2010	Zheng	D14/223
D635,558	S	*	4/2011	Zheng	D14/206
D641,010	S	*	7/2011	Kwon	D14/223
D652,817	S	*	1/2012	Lee	D14/205
D652,822	S	*	1/2012	Lee	D14/223
D654,056	S	*	2/2012	Hoggarth	D14/205
D658,157	S	*	4/2012	McManigal	D14/205
D660,290	S	*	5/2012	Weedon	D14/223
D666,581	S	*	9/2012	Perez	D14/223
D667,815	S	*	9/2012	Chiu	D14/206
D678,251	S	*	3/2013	Cantoni	D14/223
D680,102	S	*	4/2013	Chen	D14/223
D701,196	S	*	3/2014	Kelly	D14/223
D702,667	S	*	4/2014	Yang	D14/223
D710,334	S	*	8/2014	Yang	D14/223
D711,858	S	*	8/2014	Yang	D14/223
8,831,266	B1	*	9/2014	Huang	H04R 1/1091 381/370
D718,286	S	*	11/2014	Yang	D14/223
D719,131	S	*	12/2014	Toelle	D14/205
D719,132	S	*	12/2014	Toelle	D14/205
D727,284	S	*	4/2015	Dubs	D14/205
D742,355	S	*	11/2015	Toelle	D14/205
D742,356	S	*	11/2015	Toelle	D14/205
D743,370	S	*	11/2015	Toelle	D14/205
D743,932	S	*	11/2015	Toelle	D14/205
D752,542	S	*	3/2016	Lamar	D14/205
2010/0008528	A1	*	1/2010	Isvan	H04R 1/1091 381/337

* cited by examiner

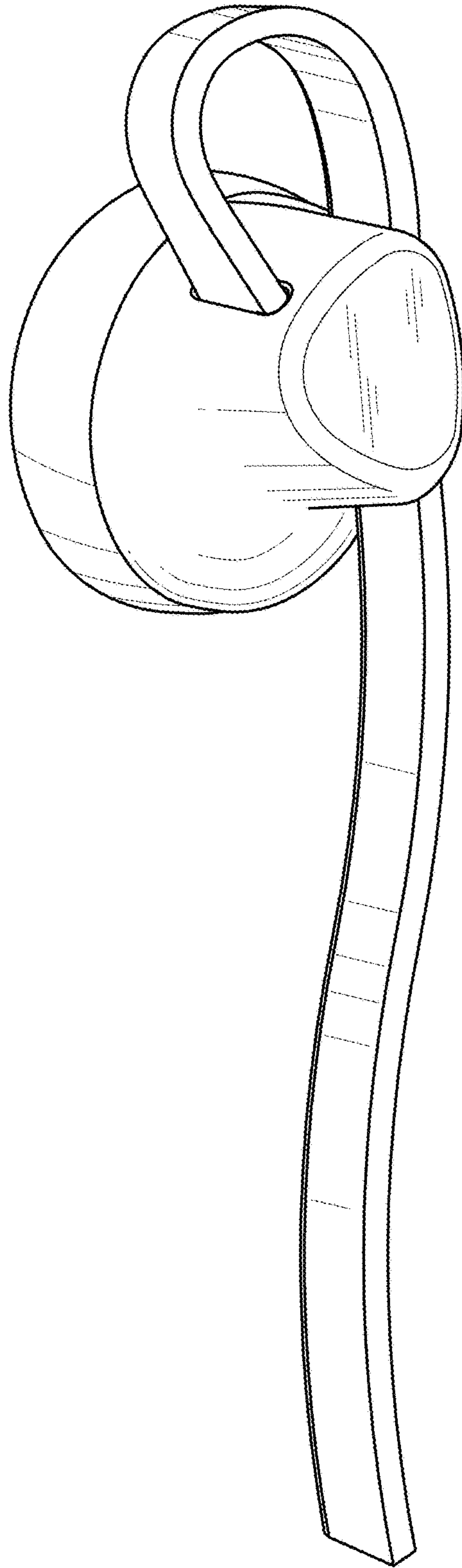


FIG. 1

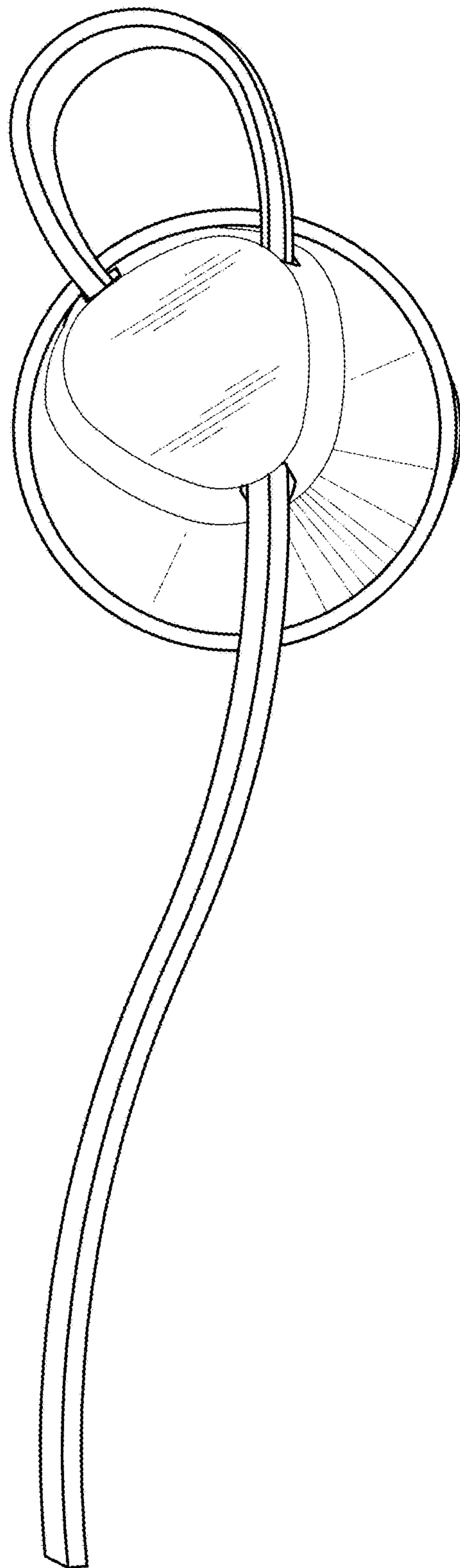


FIG. 2

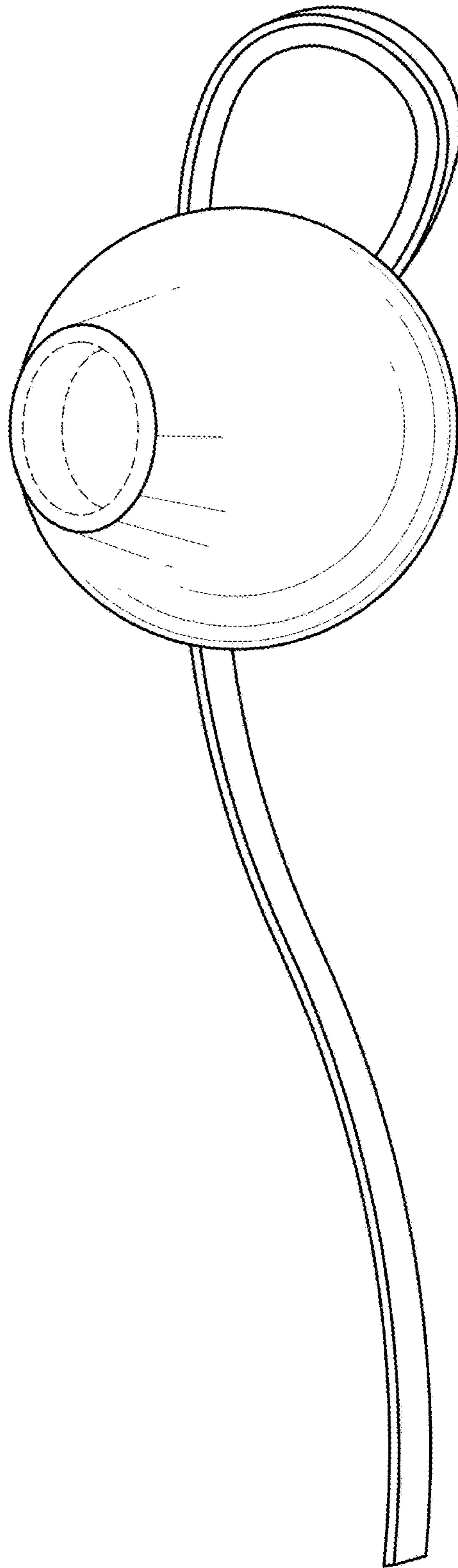


FIG. 3

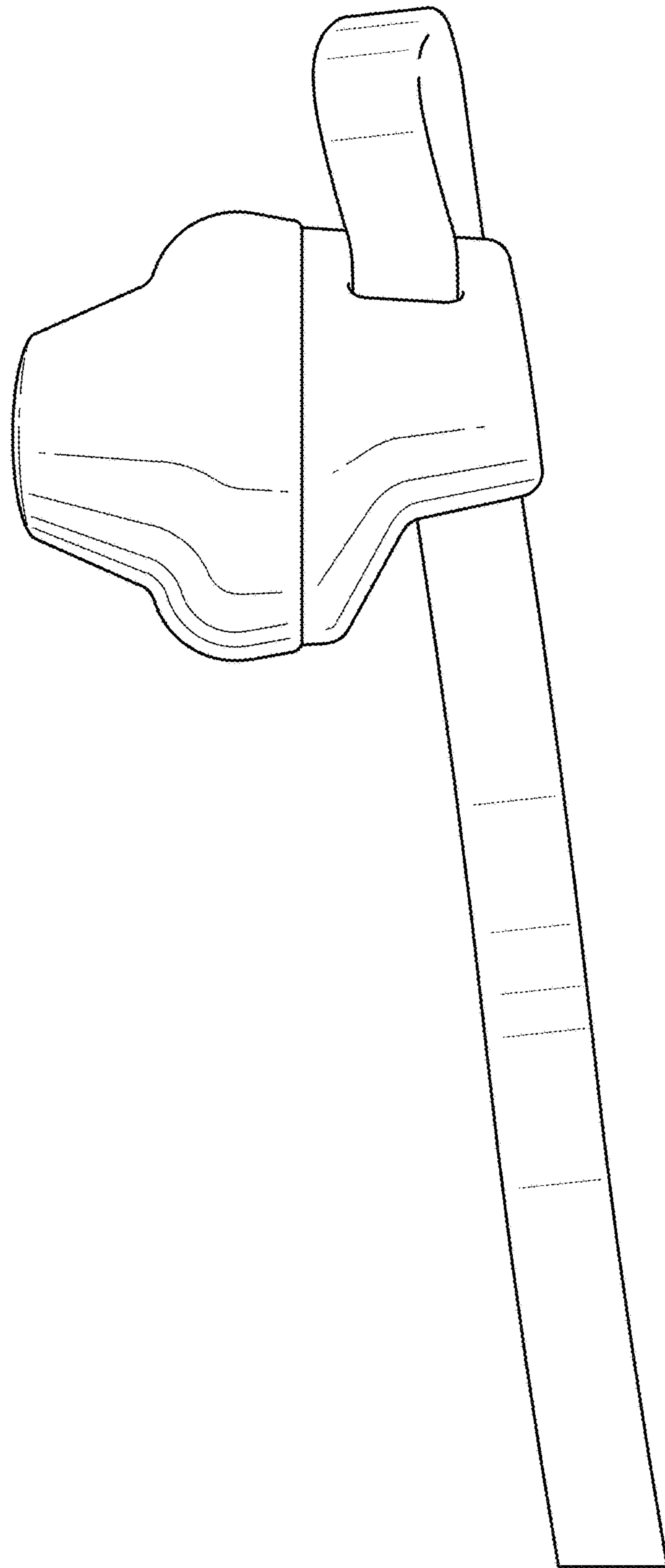


FIG. 4

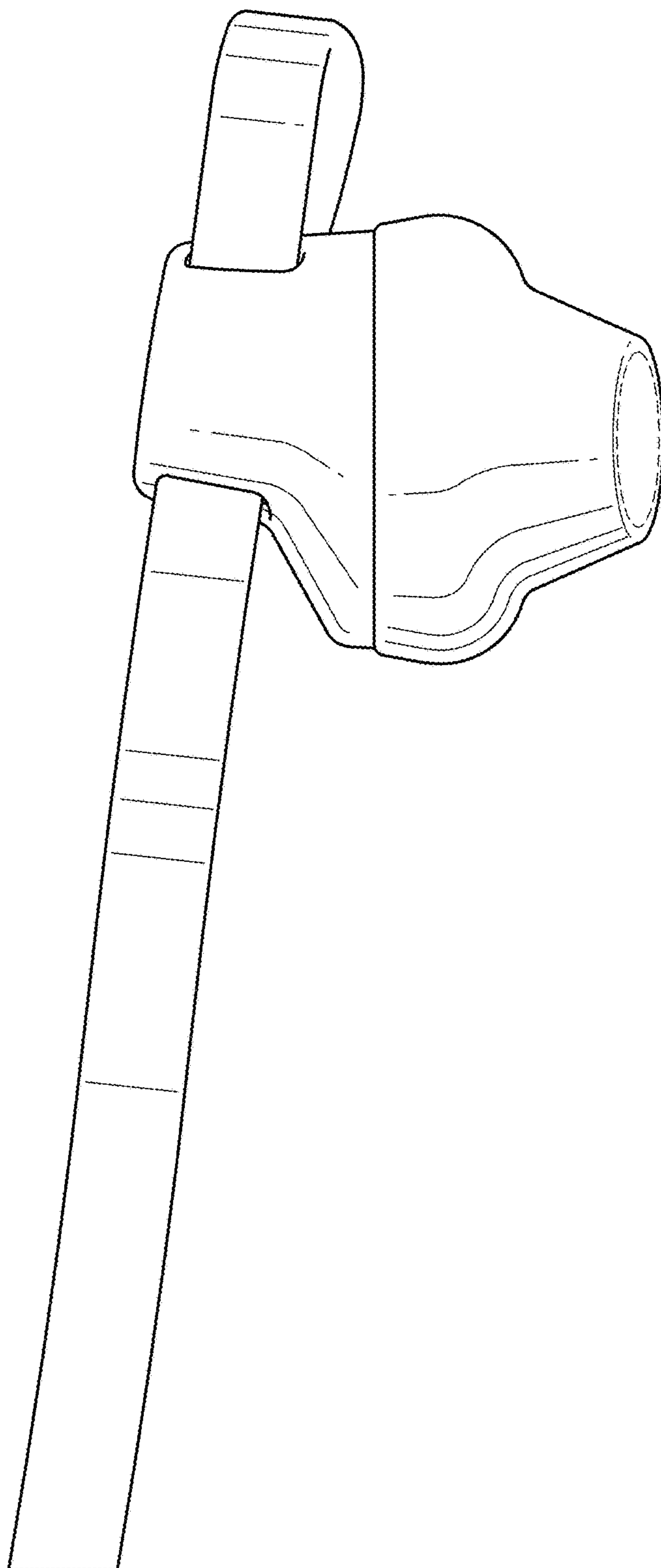


FIG. 5

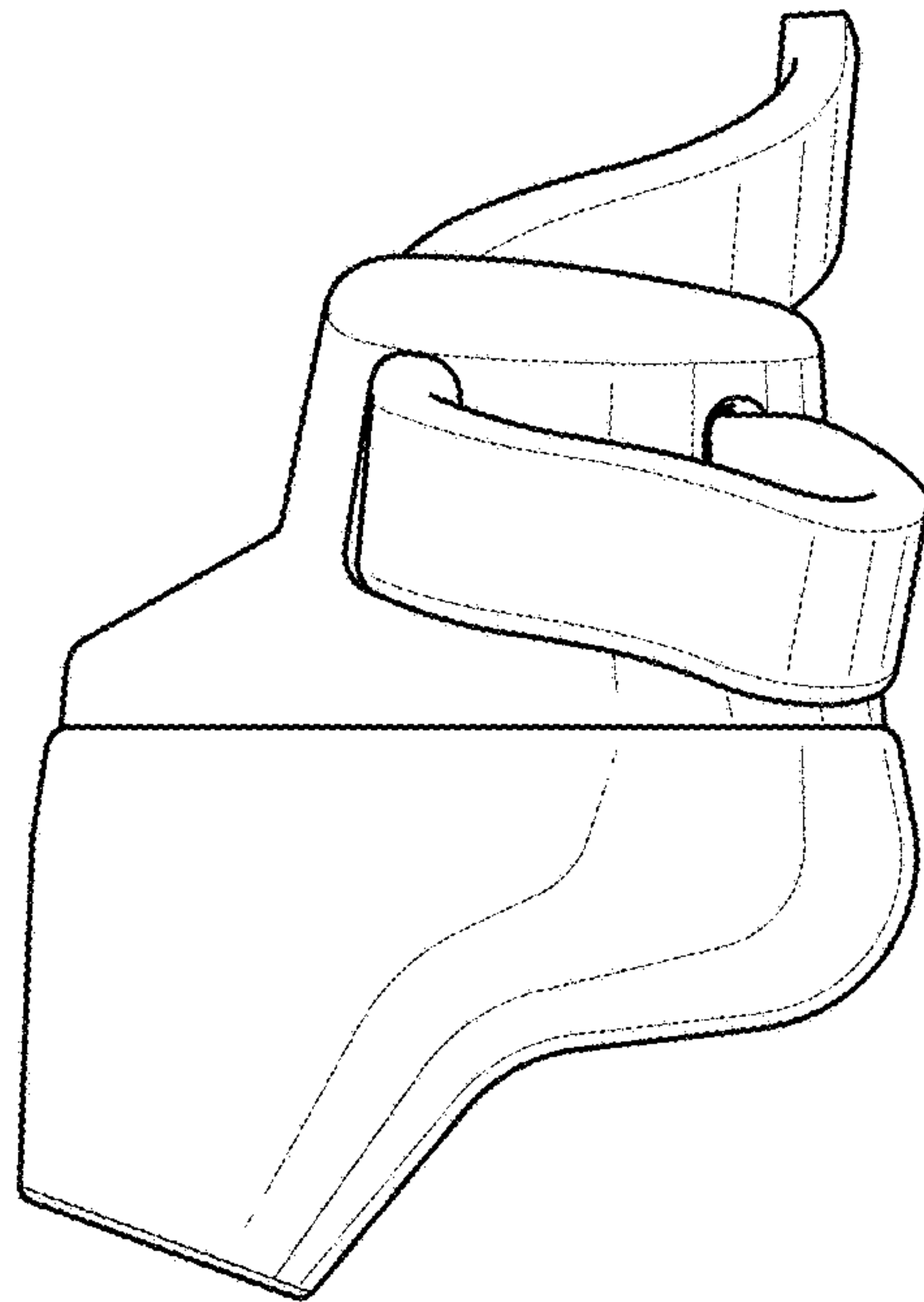


FIG. 6

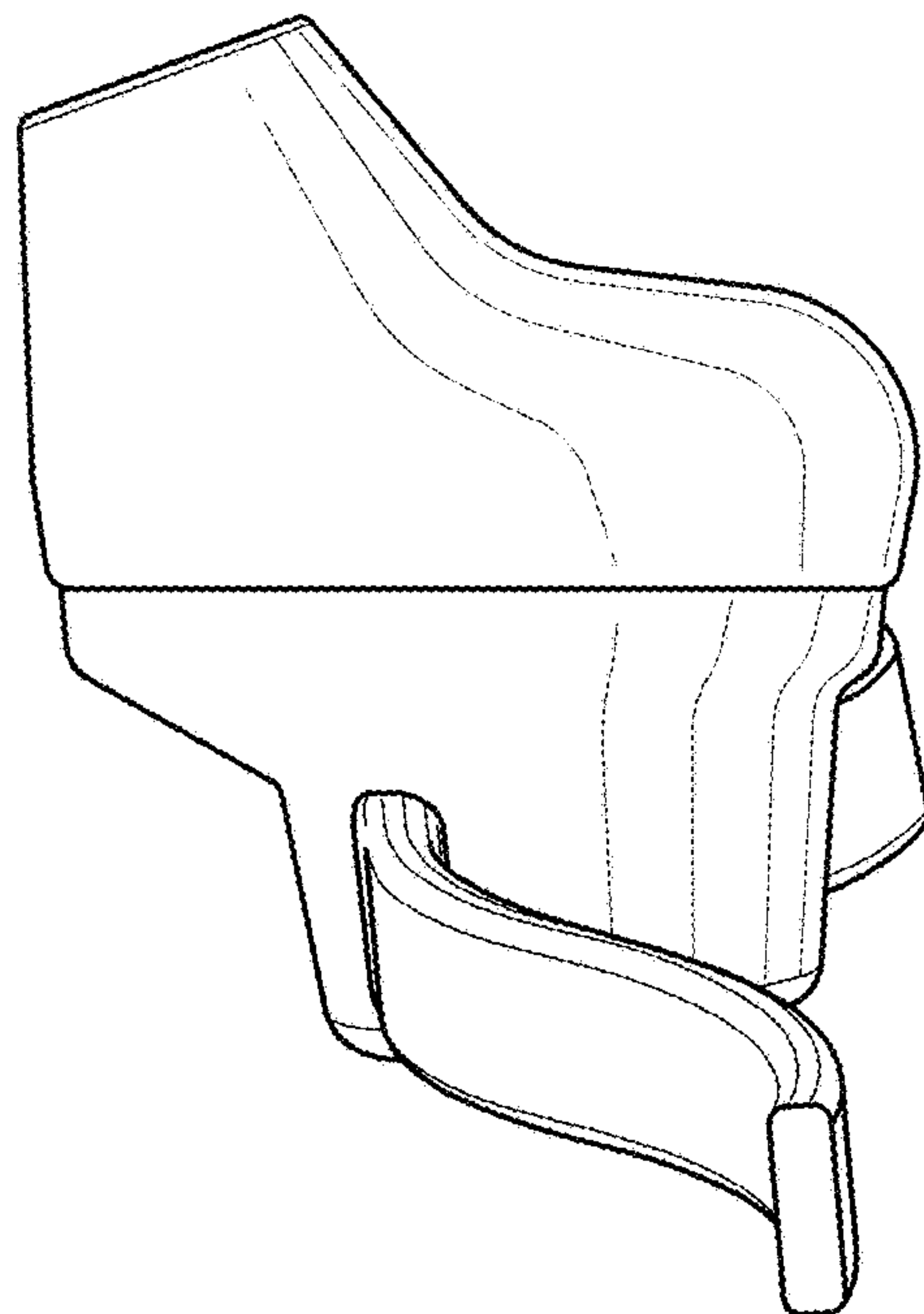


FIG. 7