



US00D781819S

(12) **United States Design Patent**  
**Koo**

(10) **Patent No.:** **US D781,819 S**

(45) **Date of Patent:** **\*\* Mar. 21, 2017**

(54) **SPEAKER**

(71) Applicant: **Gibson Innovations Belgium NV**,  
Leuven (BE)

(72) Inventor: **Lawrence Chuen Tak Koo**, Hong  
Kong (HK)

(73) Assignee: **Gibson Innovations Belgium NV**,  
Leuven (BE)

(\*\*) Term: **15 Years**

(21) Appl. No.: **29/534,053**

(22) Filed: **Jul. 24, 2015**

(30) **Foreign Application Priority Data**

Jan. 27, 2015 (EM) ..... 002621003

(51) **LOC (10) Cl.** ..... **14-03**

(52) **U.S. Cl.**  
USPC ..... **D14/214**

(58) **Field of Classification Search**  
USPC ..... D14/167, 168, 170-172, 188, 194-196,  
D14/204, 207, 209.1, 210-216, 219, 221,  
D14/222, 224, 239, 496; 181/143, 144,  
181/147, 148, 150, 153, 157, 198, 199;  
381/300-303, 306, 332, 333, 336, 345,  
381/361-364, 386-388; 369/6-12  
CPC ..... B60R 11/0217; G06F 1/1688; G10K 9/22;  
G10K 11/004; H03F 1/327; H04M 1/03;  
H04M 1/035; H04N 5/642; H04N  
21/4852; H04R 1/02; H04R 1/06; H04R  
1/021; H04R 1/025; H04R 1/026; H04R  
1/028; H04R 1/105; H04R 1/323; H04R  
1/403; H04R 1/2803; H04R 1/2834;  
H04R 5/02; H04R 7/20; H04R 9/06;

H04R 9/025; H04R 2201/021; H04R  
2400/00; H04R 2201/07; H04R 2499/11;  
H04R 2499/13; H04R 2499/15; H04S  
3/00; H04S 7/30

See application file for complete search history.

(56) **References Cited**

U.S. PATENT DOCUMENTS

D401,583	S	*	11/1998	Shin	.....	D14/214
D624,048	S	*	9/2010	Kim	.....	D14/215
D673,933	S	*	1/2013	McManigal	.....	D14/204
D710,327	S	*	8/2014	McManigal	.....	D14/214
D714,259	S	*	9/2014	Galler	.....	D14/221
D716,264	S	*	10/2014	Park	.....	D14/215
D724,563	S	*	3/2015	Kim	.....	D14/214
D727,875	S	*	4/2015	Park	.....	D14/214

\* cited by examiner

*Primary Examiner* — Keli L Hill

(74) *Attorney, Agent, or Firm* — Bates & Bates, LLC

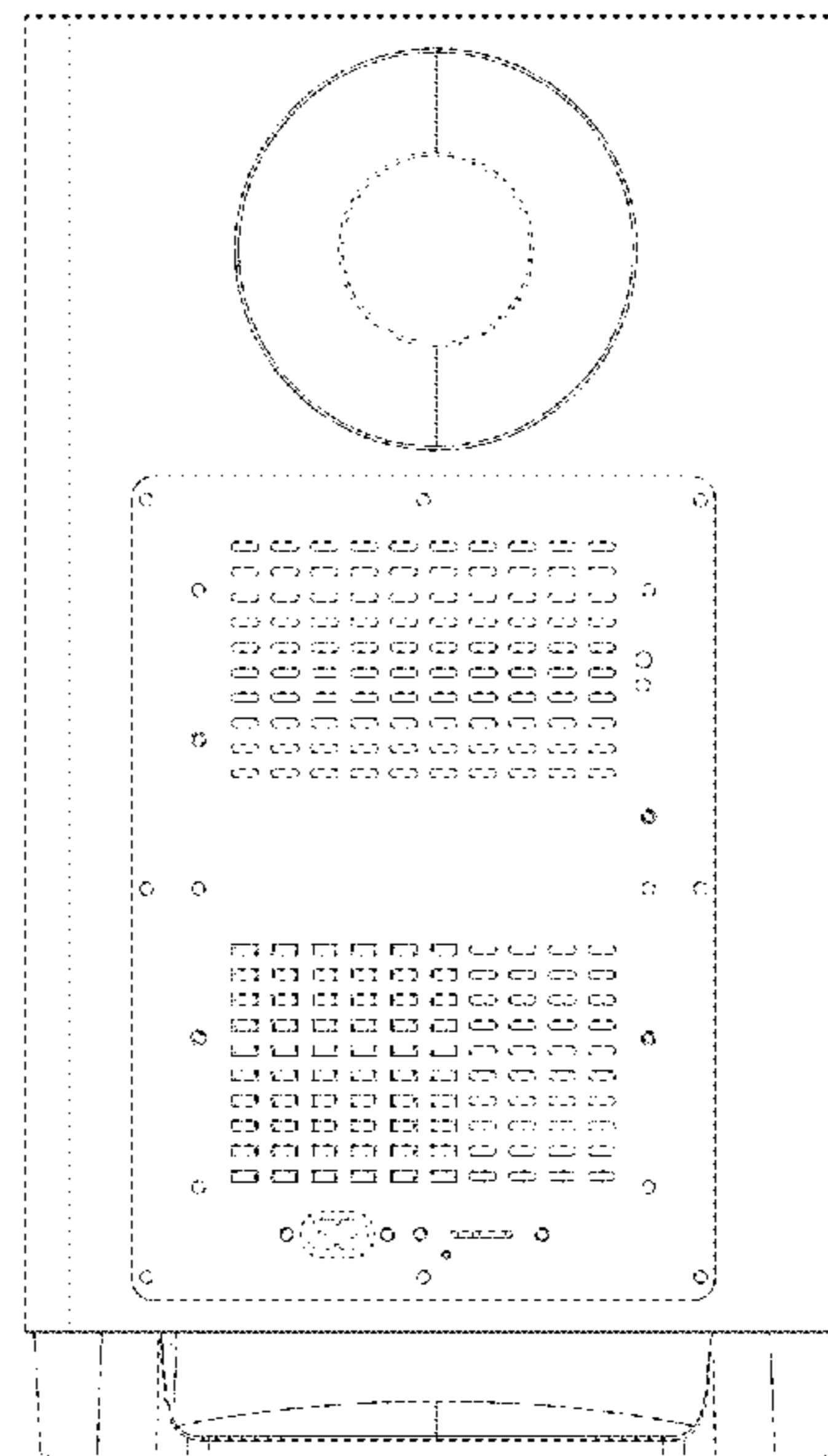
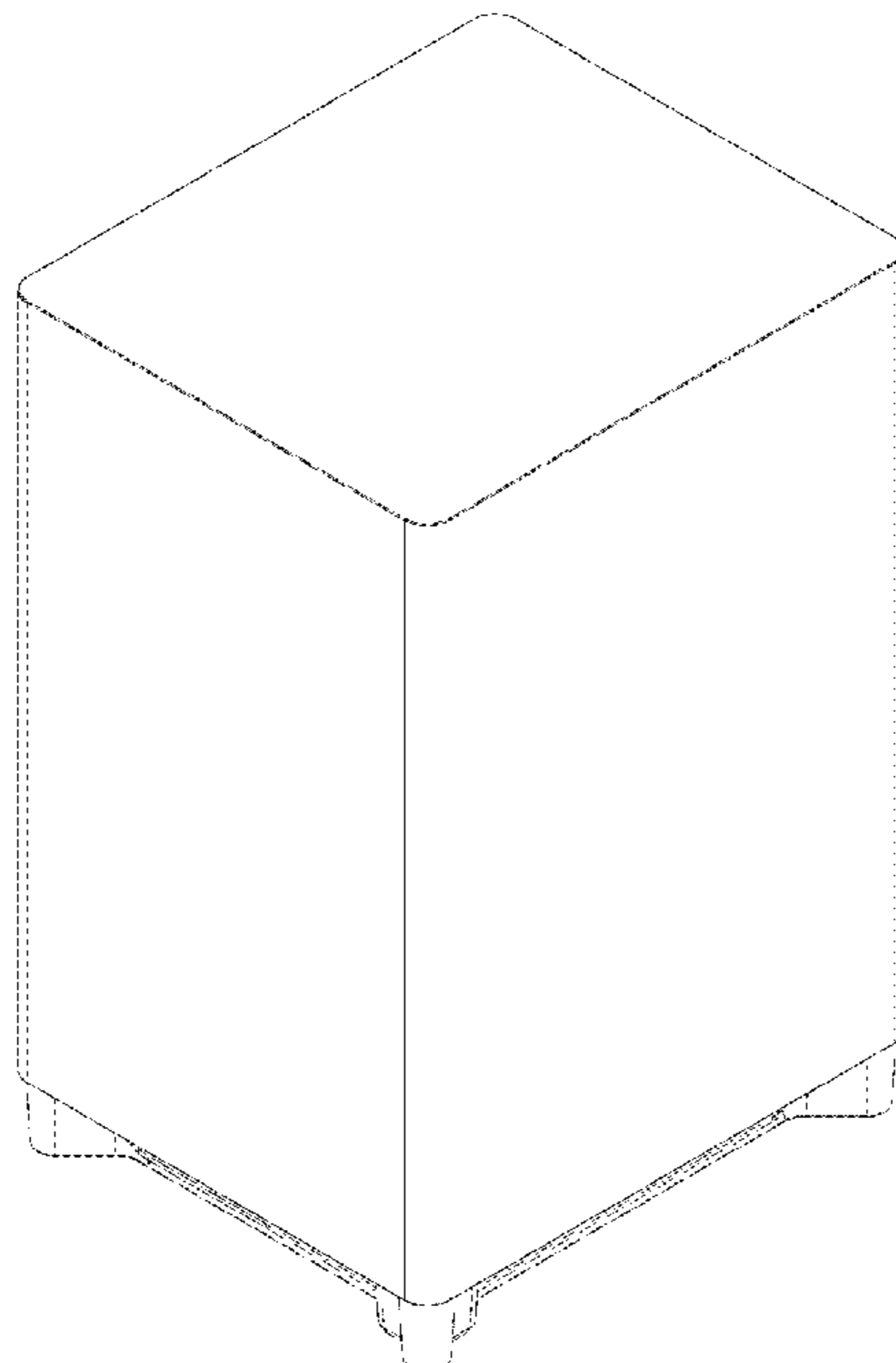
(57) **CLAIM**

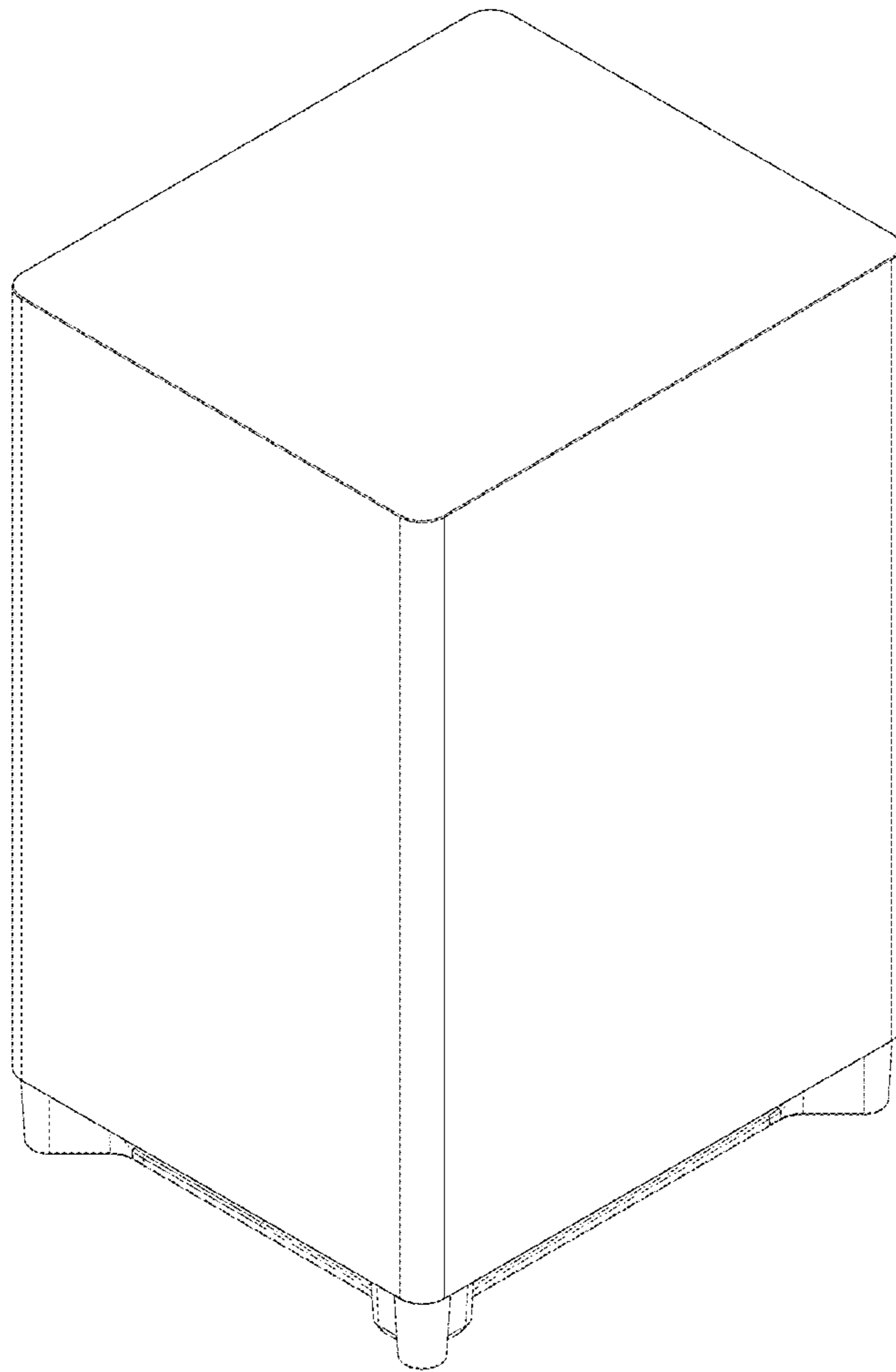
What is claimed is the ornamental design for a speaker, as shown and described.

**DESCRIPTION**

FIG. 1 is a perspective view of the speaker;  
FIG. 2 is a front view of the speaker;  
FIG. 3 is a back view of the speaker  
FIG. 4 is a left side view of the speaker;  
FIG. 5 is a right side view of the speaker;  
FIG. 6 is a top view of the speaker; and,  
FIG. 7 is a bottom view of the speaker.  
The broken lines in FIG. 3 represent the portions of the design that form no part of the claim.

**1 Claim, 7 Drawing Sheets**





**FIG. 1**

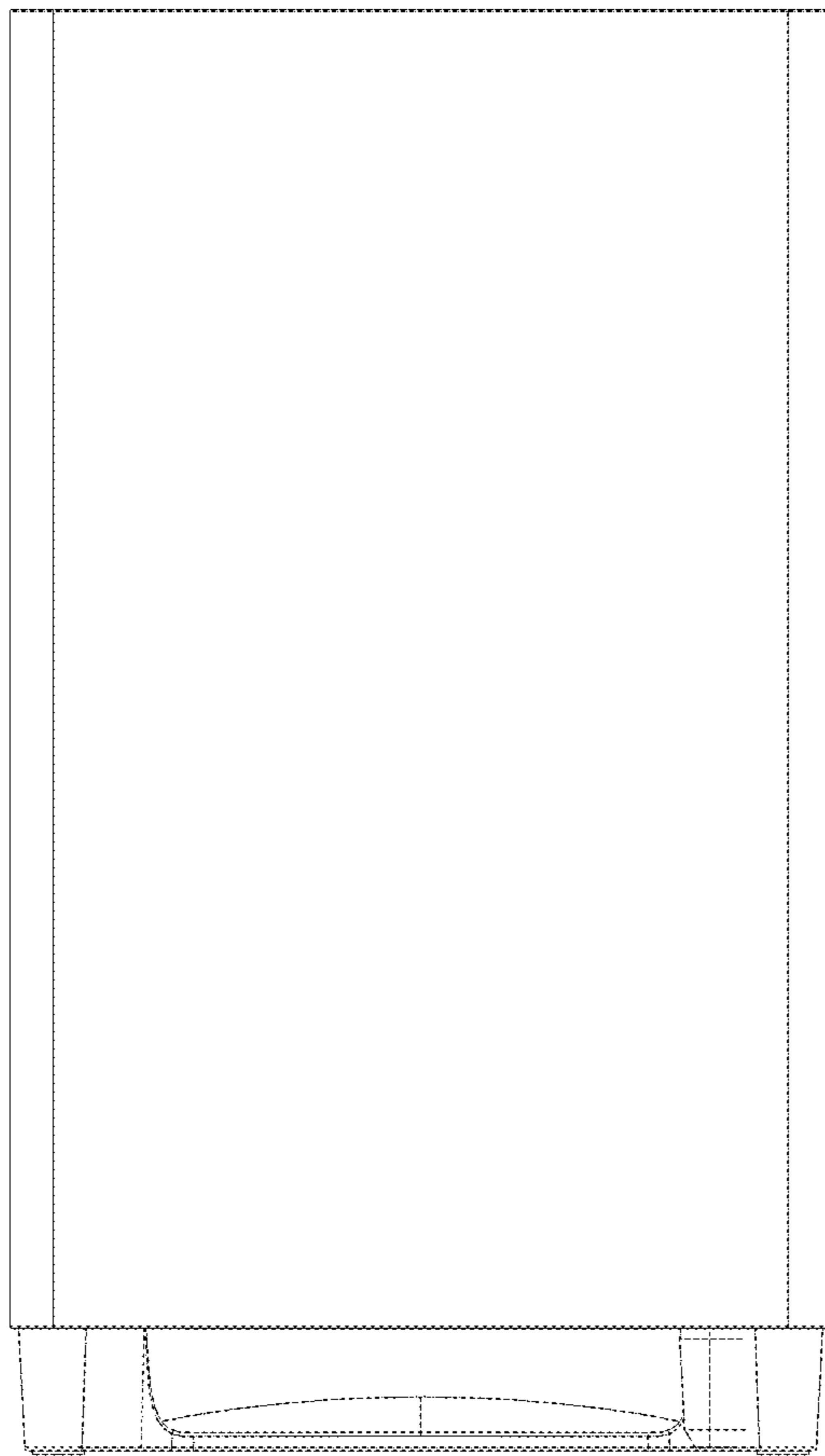


FIG. 2

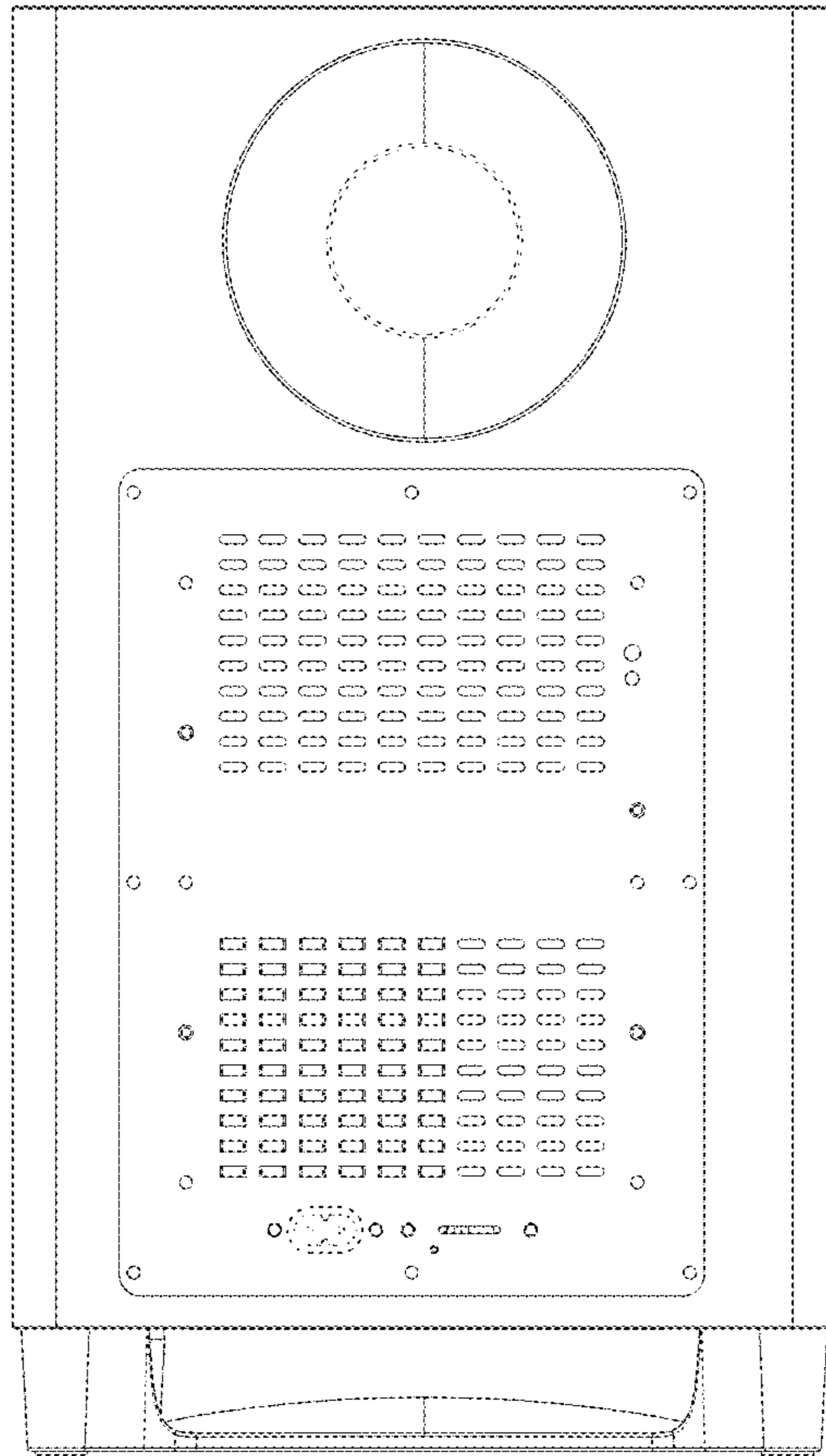


FIG. 3

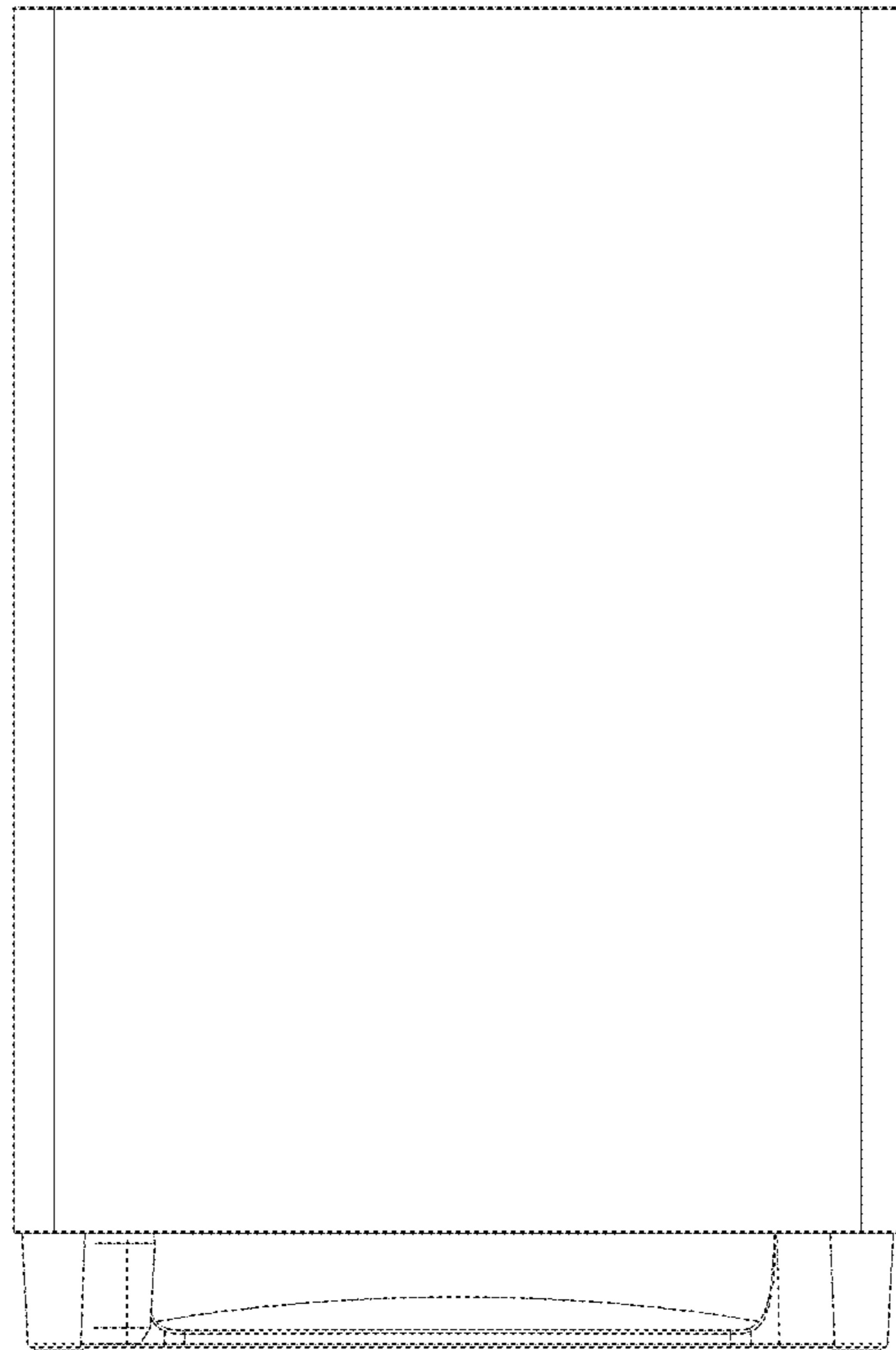
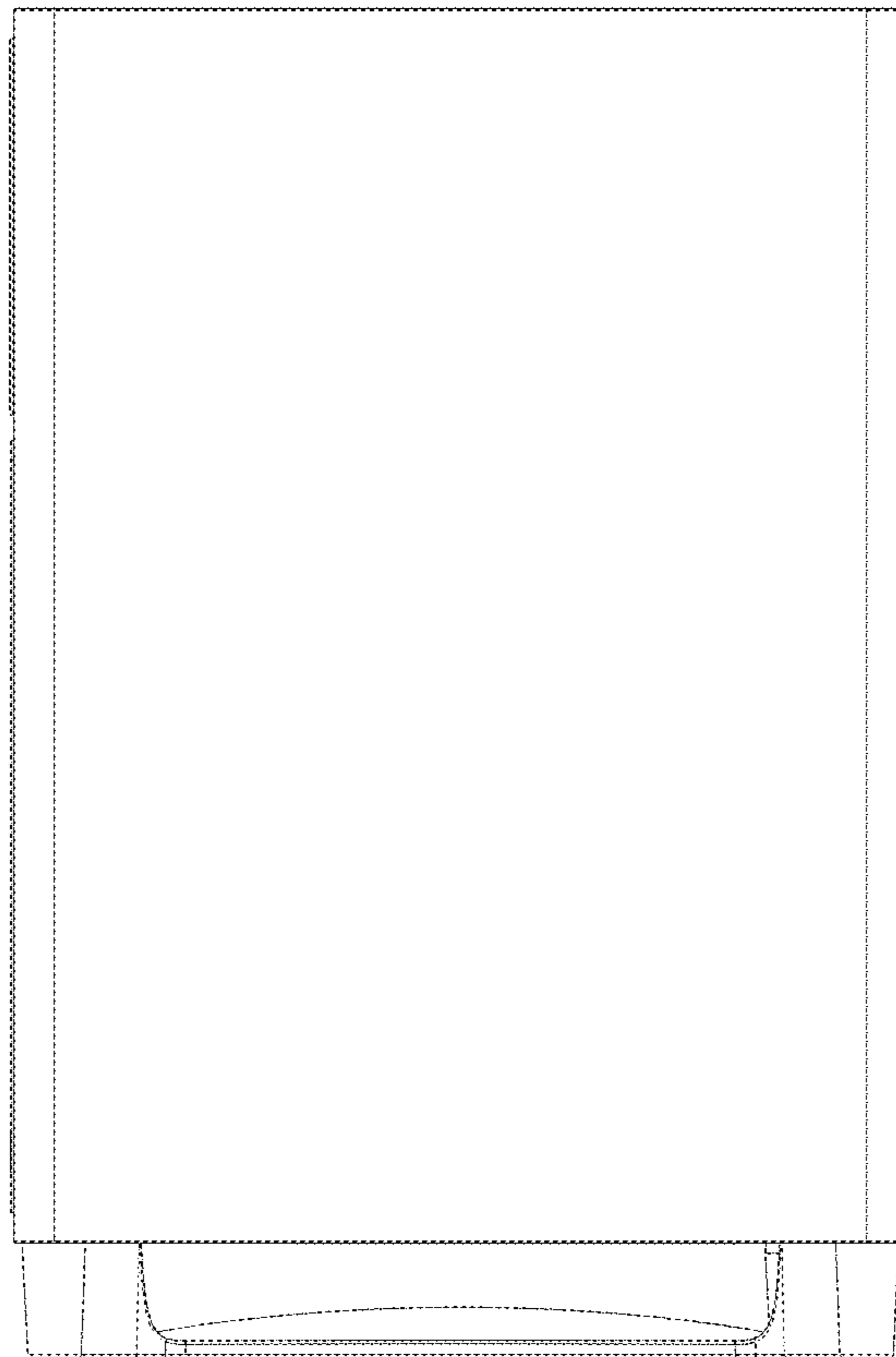
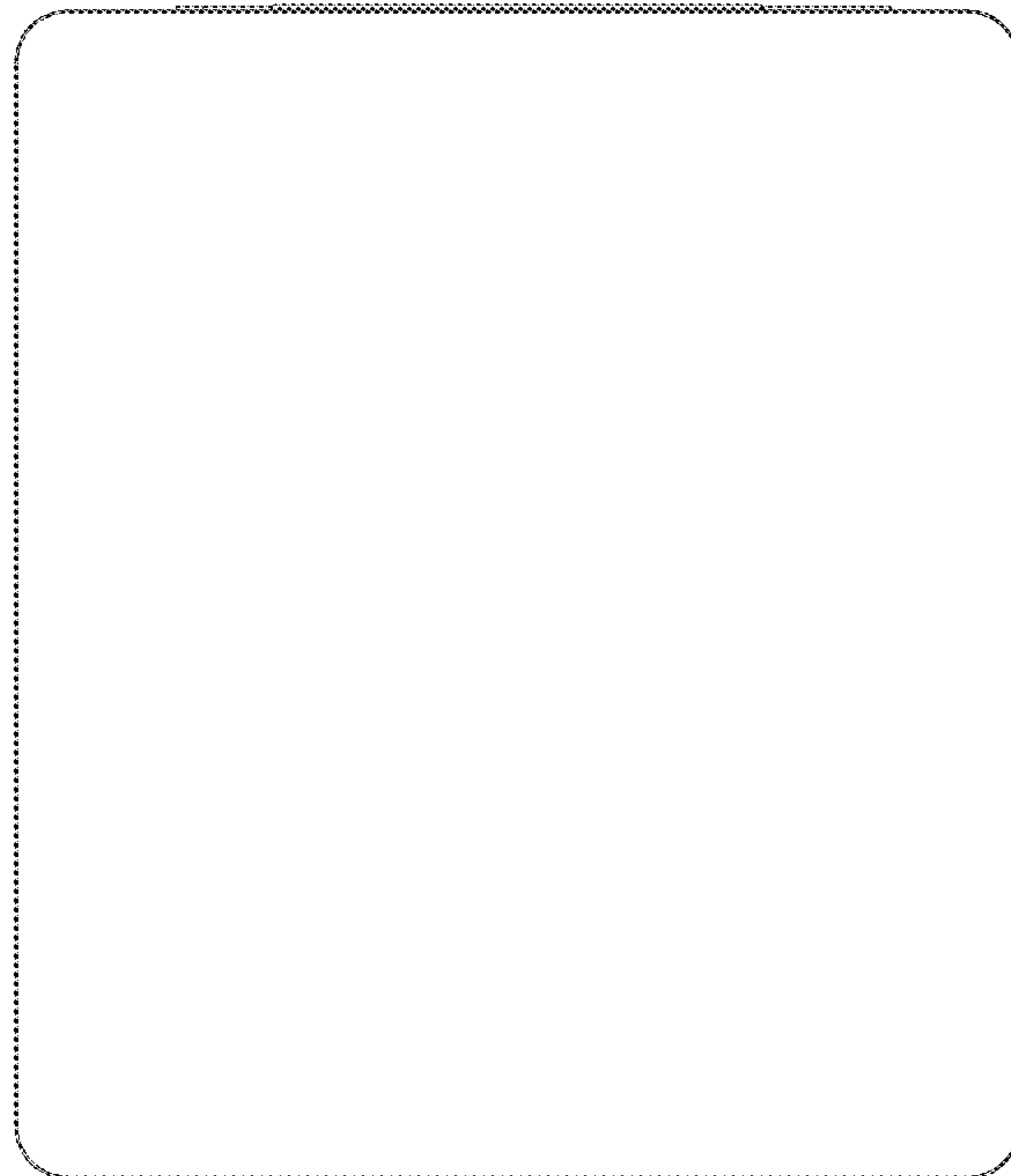


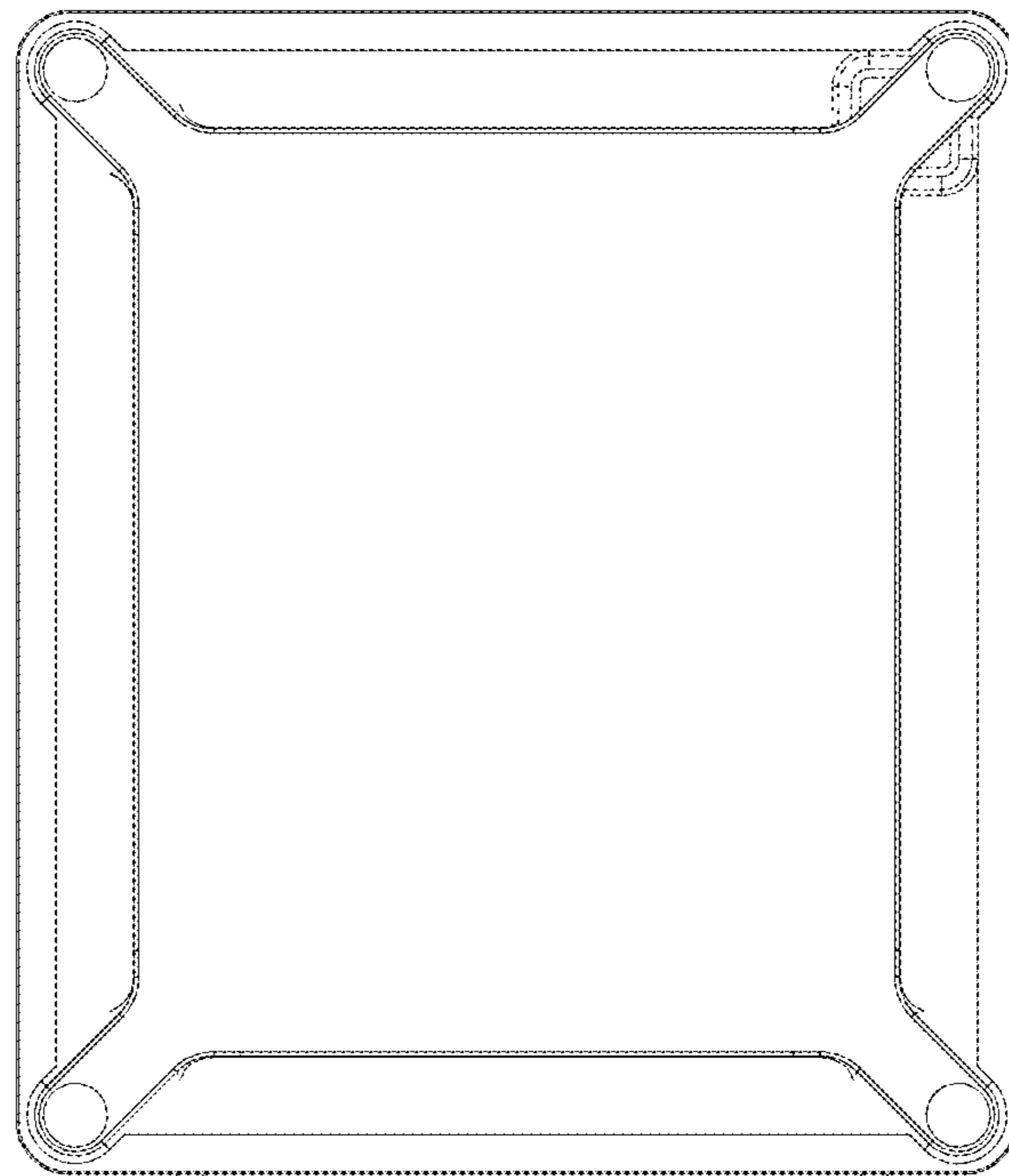
FIG. 4



**FIG. 5**



**FIG. 6**



**FIG. 7**