



US00D781818S

(12) **United States Design Patent**
Pera et al.

(10) **Patent No.: US D781,818 S**
(45) **Date of Patent: ** Mar. 21, 2017**

(54) **MOUNTABLE WIRELESS SPEAKER WITH ACCESS POINT**

5,088,574 A * 2/1992 Kertesz, III H04R 1/025
181/150
D329,646 S * 9/1992 Stone D14/209
D341,592 S * 11/1993 Queen D14/209
6,427,019 B1 * 7/2002 Ketterer H04R 1/026
181/150

(71) Applicant: **Ubiquiti Networks, Inc.**, San Jose, CA (US)

(72) Inventors: **Robert J. Pera**, San Jose, CA (US);
Mark A. Blanchard, San Jose, CA (US); **Jude Lee**, San Jose, CA (US)

(Continued)

Primary Examiner — Prabhakar Deshmukh
(74) *Attorney, Agent, or Firm* — Shay Glenn LLP

(73) Assignee: **Ubiquiti Networks, Inc.**, San Jose, CA (US)

(**) Term: **15 Years**

(57) **CLAIM**

The ornamental design for a mountable wireless speaker with access point, as shown and described.

(21) Appl. No.: **29/545,325**

(22) Filed: **Nov. 11, 2015**

(51) **LOC (10) Cl.** **14-01**

(52) **U.S. Cl.**
USPC **D14/209; D14/172**

DESCRIPTION

(58) **Field of Classification Search**
USPC D14/204, 218, 172, 210–216, 209.1, 496, D14/497, 137, 168, 181, 185, 188, 299, D14/203.1–203.8, 221; 181/143, 147, 181/148, 150, 153, 157, 198, 199, 166, 181/144; 381/300–303, 306, 332, 333, 381/336, 345, 361–364, 370, 386–388; 455/344–351; 84/609–614, 634–638; 434/307 A, 307 R, 309, 318; 352/1, 6–10
CPC H04R 1/02; H04R 1/023; H04R 1/026; H04R 1/30; H04R 3/00; H04R 9/06; H04R 11/02; H04R 19/02
See application file for complete search history.

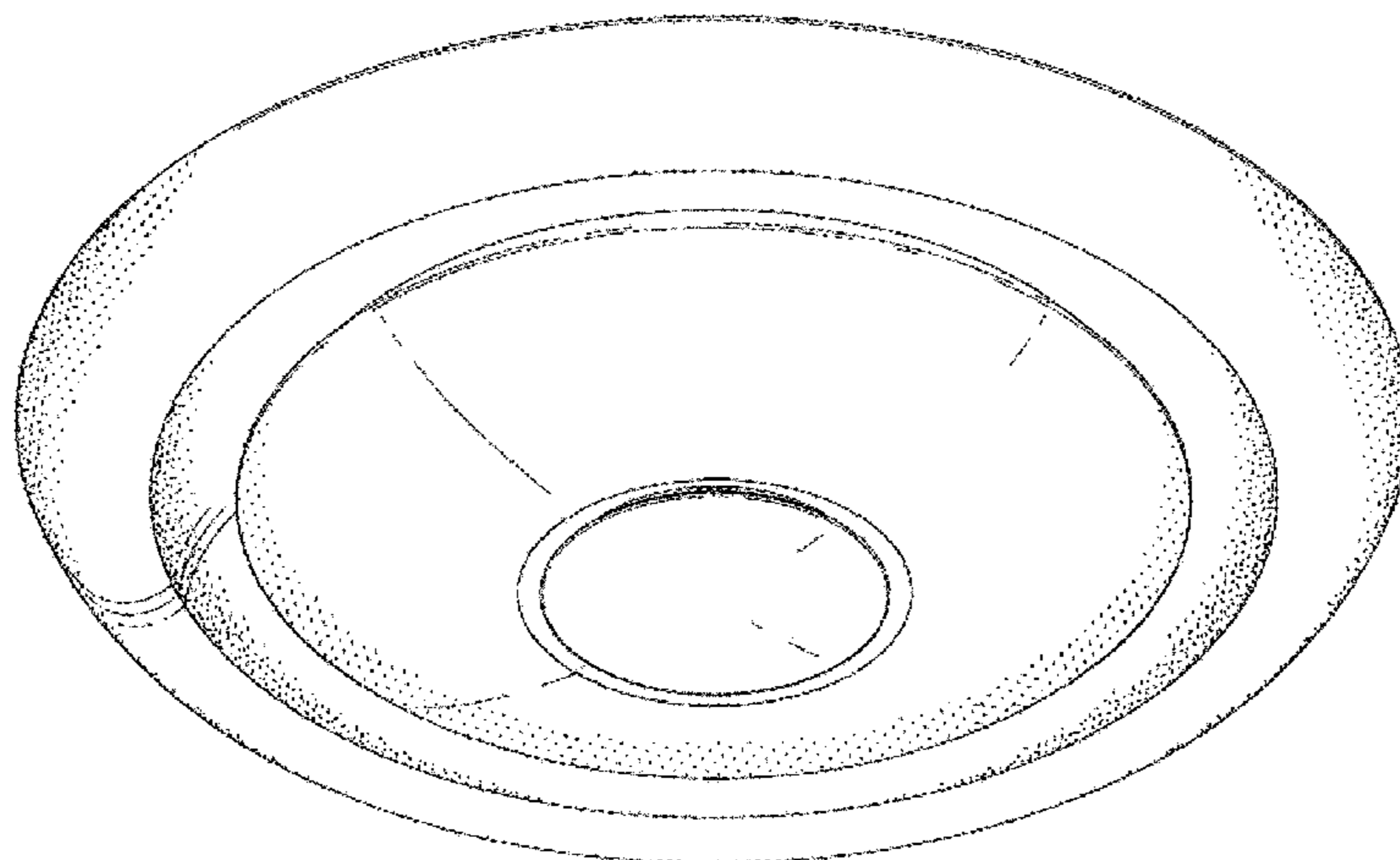
FIG. 1 is a perspective view of a mountable wireless speaker with access point showing our new design;
FIG. 2 is perspective view thereof, showing with different angle;
FIG. 3 is another perspective view thereof, showing with different angle;
FIG. 4 is a side elevational view thereof;
FIG. 5 is a front elevational view thereof;
FIG. 6 is a perspective view of a second embodiment of a mountable wireless speaker with access point showing our new design;
FIG. 7 is perspective view of FIG. 6, showing with different angle;
FIG. 8 is another perspective view of FIG. 6, showing with different angle;
FIG. 9 is a side elevational view of FIG. 6; and,
FIG. 10 is a front elevational view of FIG. 6.
The broken lines showing of an optional openings in FIGS. 6-10 form no part of the claimed design.

(56) **References Cited**

U.S. PATENT DOCUMENTS

2,096,192 A * 10/1937 Moore H04R 1/323
181/153
4,082,159 A * 4/1978 Petty H04R 1/26
181/153

1 Claim, 10 Drawing Sheets



(56)

References Cited

U.S. PATENT DOCUMENTS

D474,173 S *	5/2003	Right	D14/209
D533,537 S *	12/2006	Reardon	D14/172
D549,689 S *	8/2007	Gould	D14/209
7,530,425 B2 *	5/2009	Whitaker	H04R 1/025 181/148
D600,676 S *	9/2009	Maurer	D14/209
D617,310 S *	6/2010	Tatara	D14/209
8,014,545 B2 *	9/2011	Grant	H04R 1/025 181/150

* cited by examiner

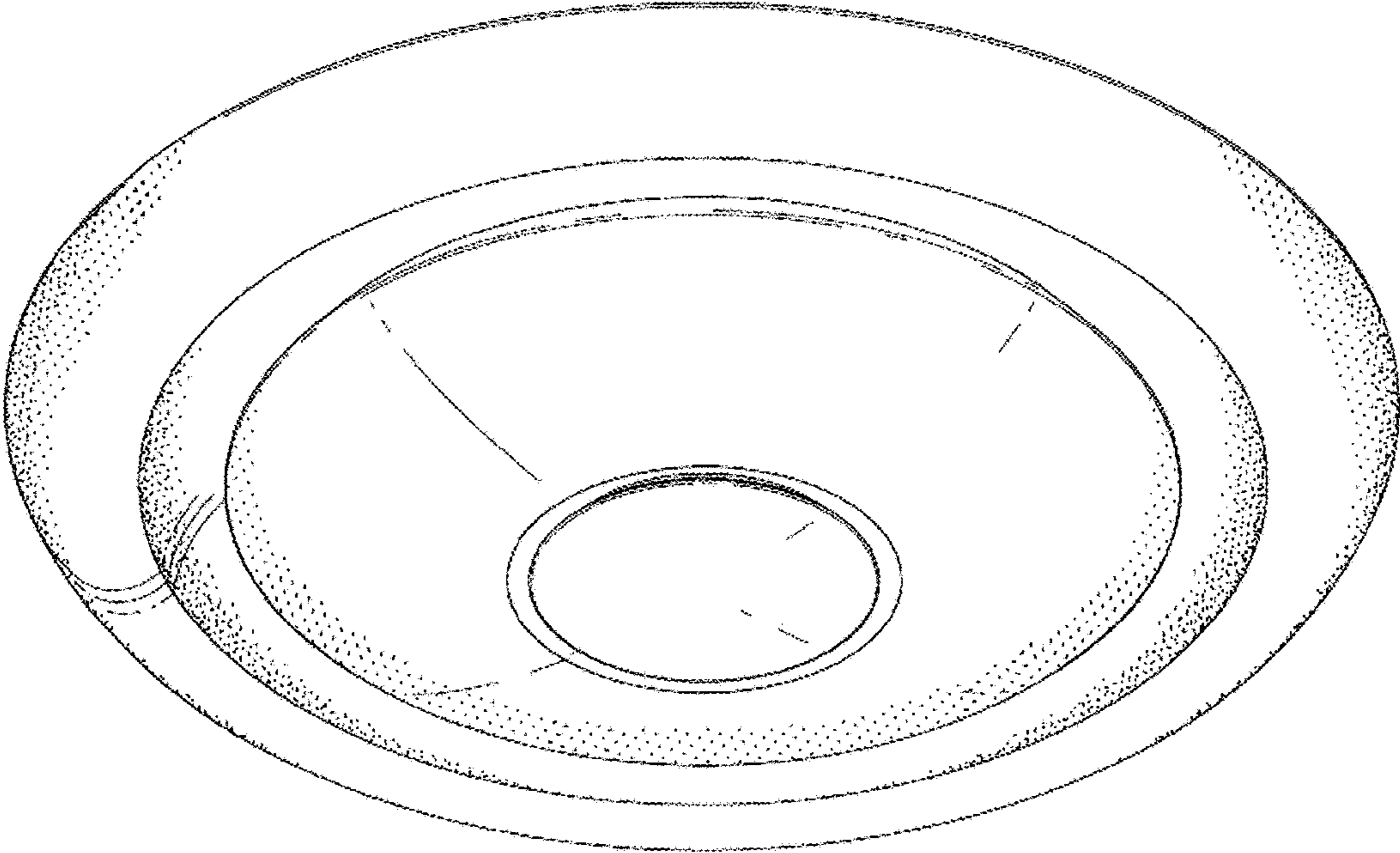


FIG. 1

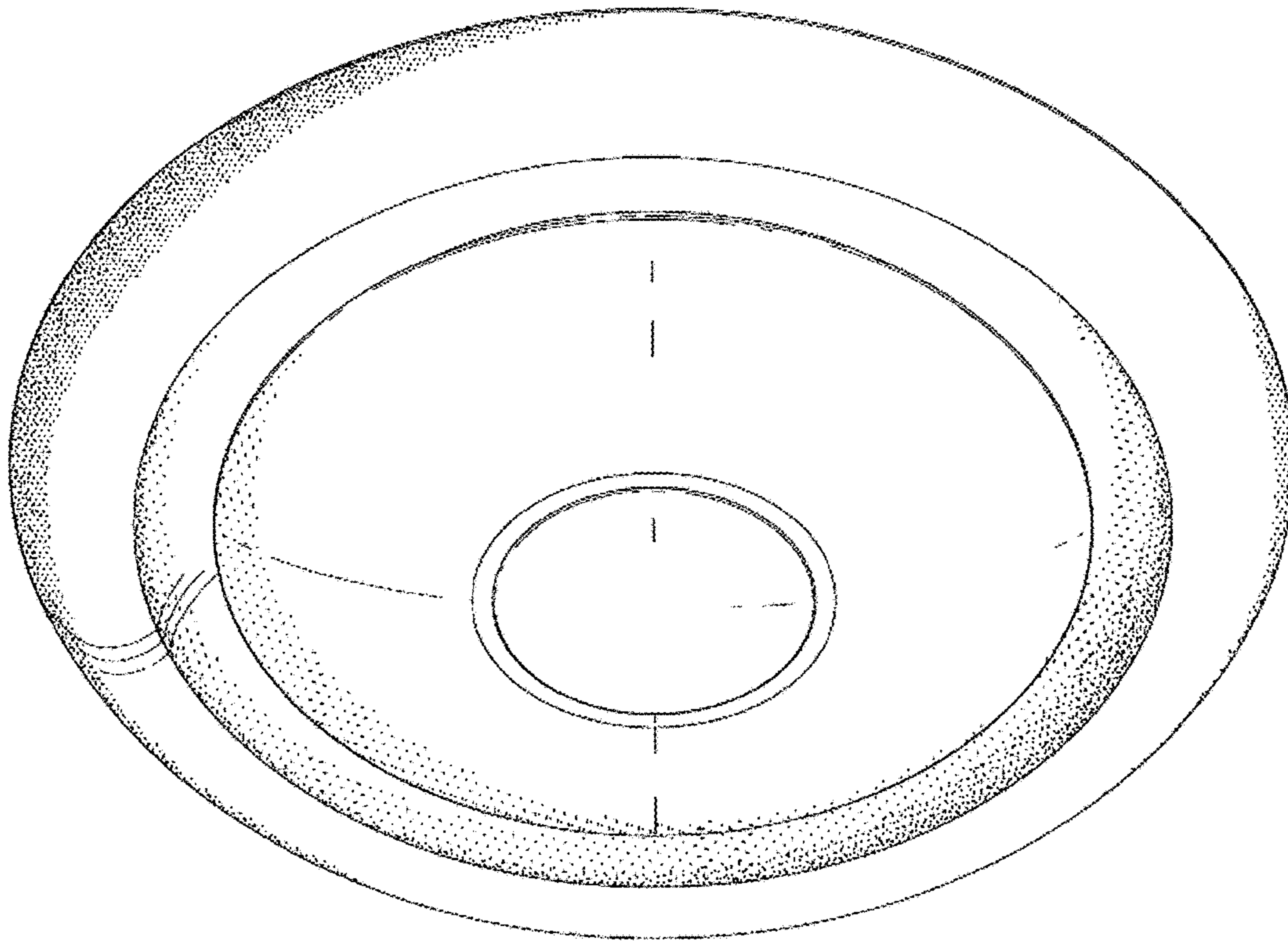


FIG. 2

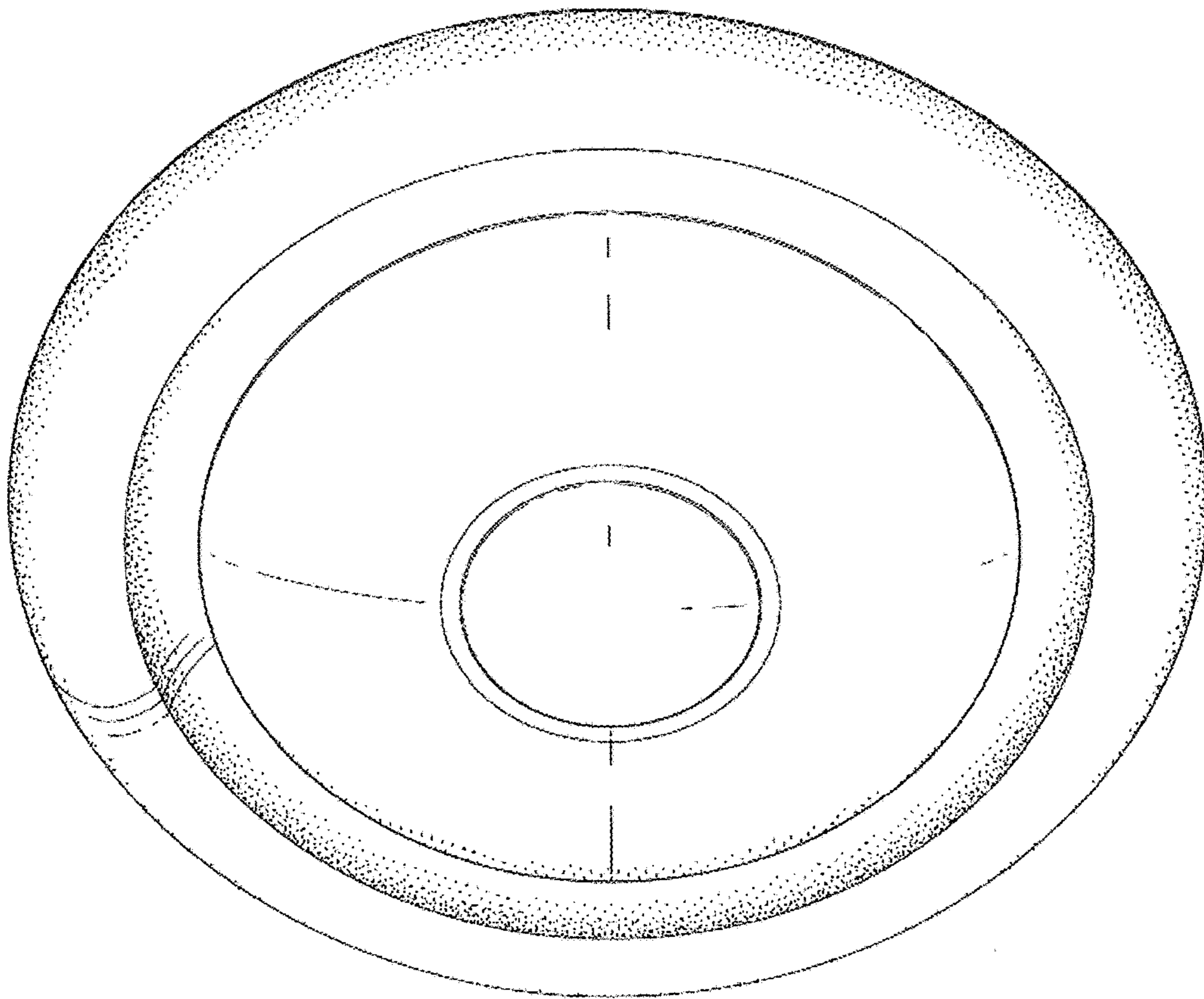


FIG. 3

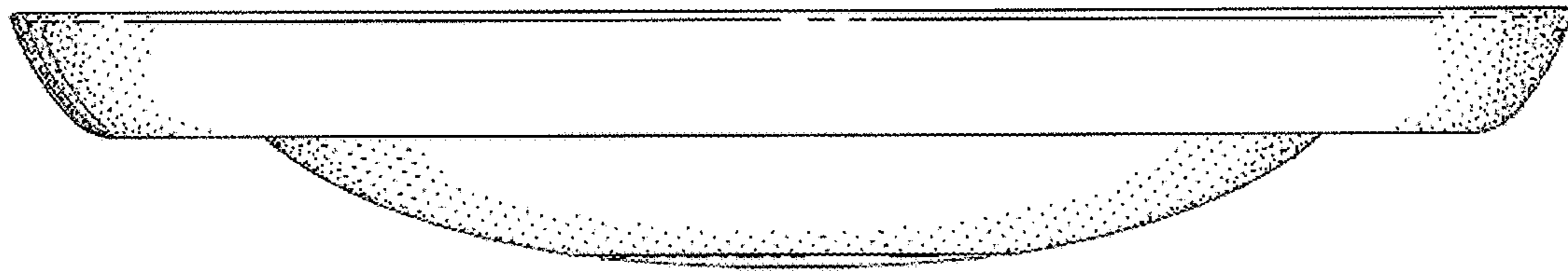


FIG. 4

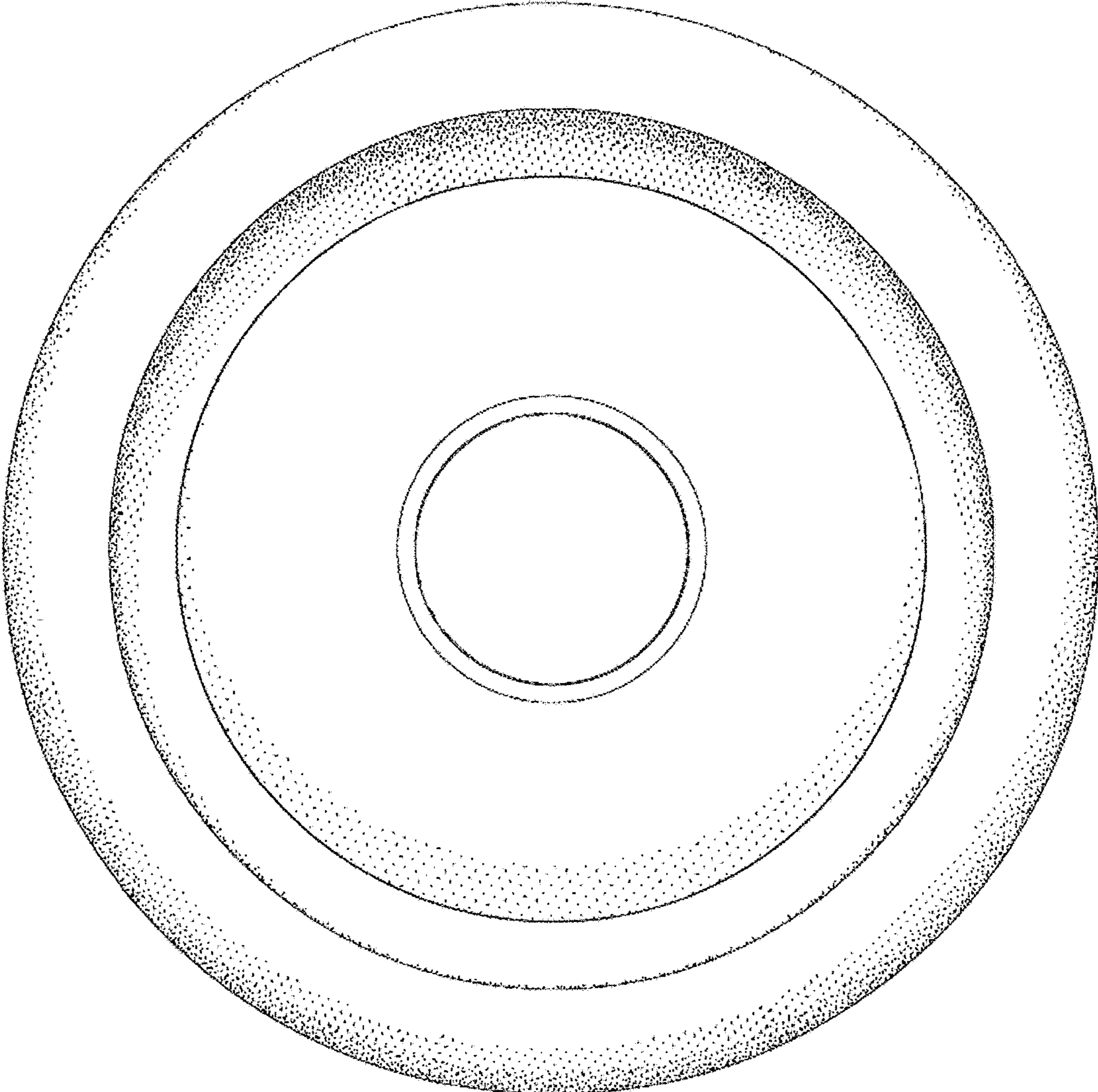


FIG. 5

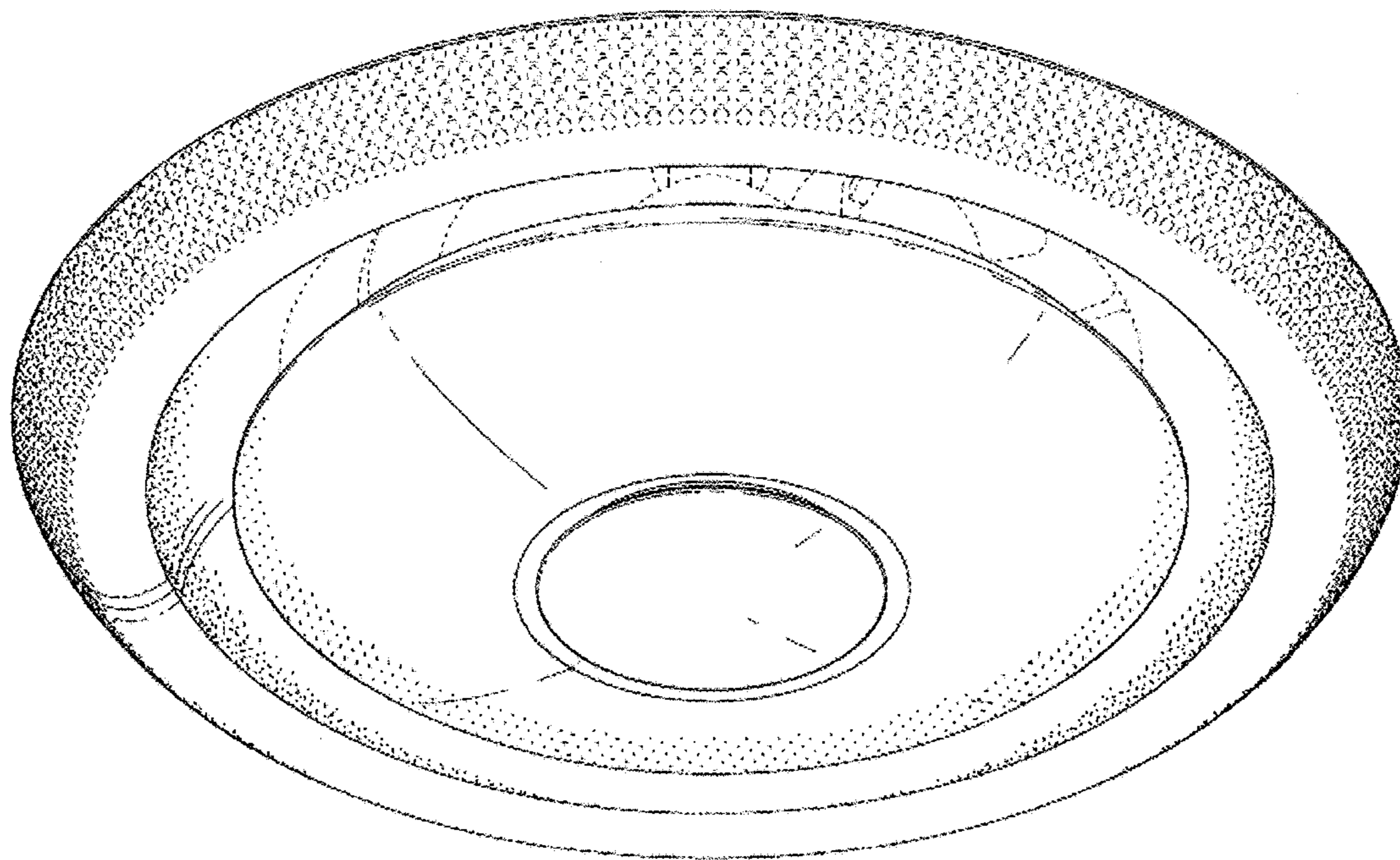


FIG. 6

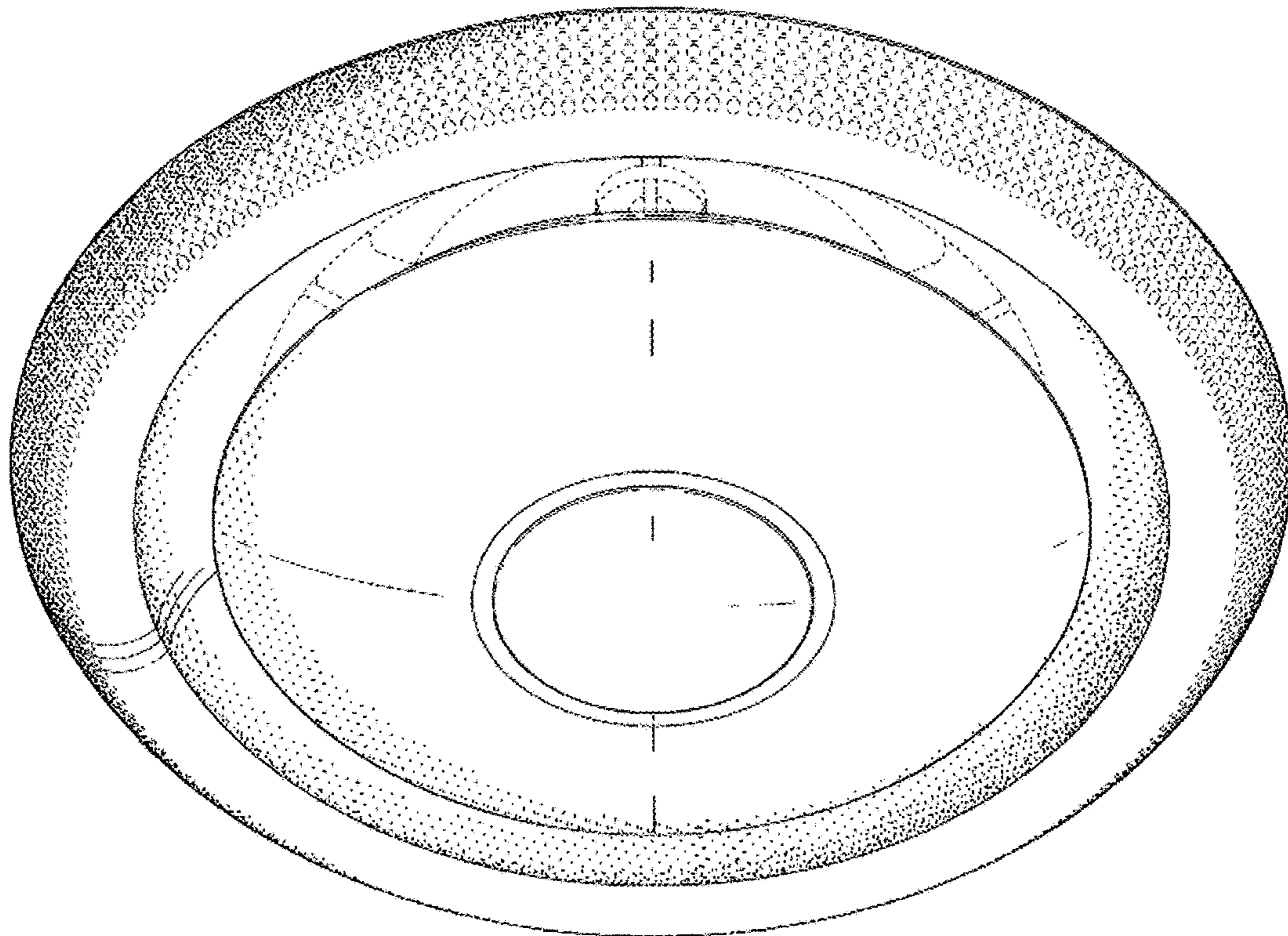


FIG. 7

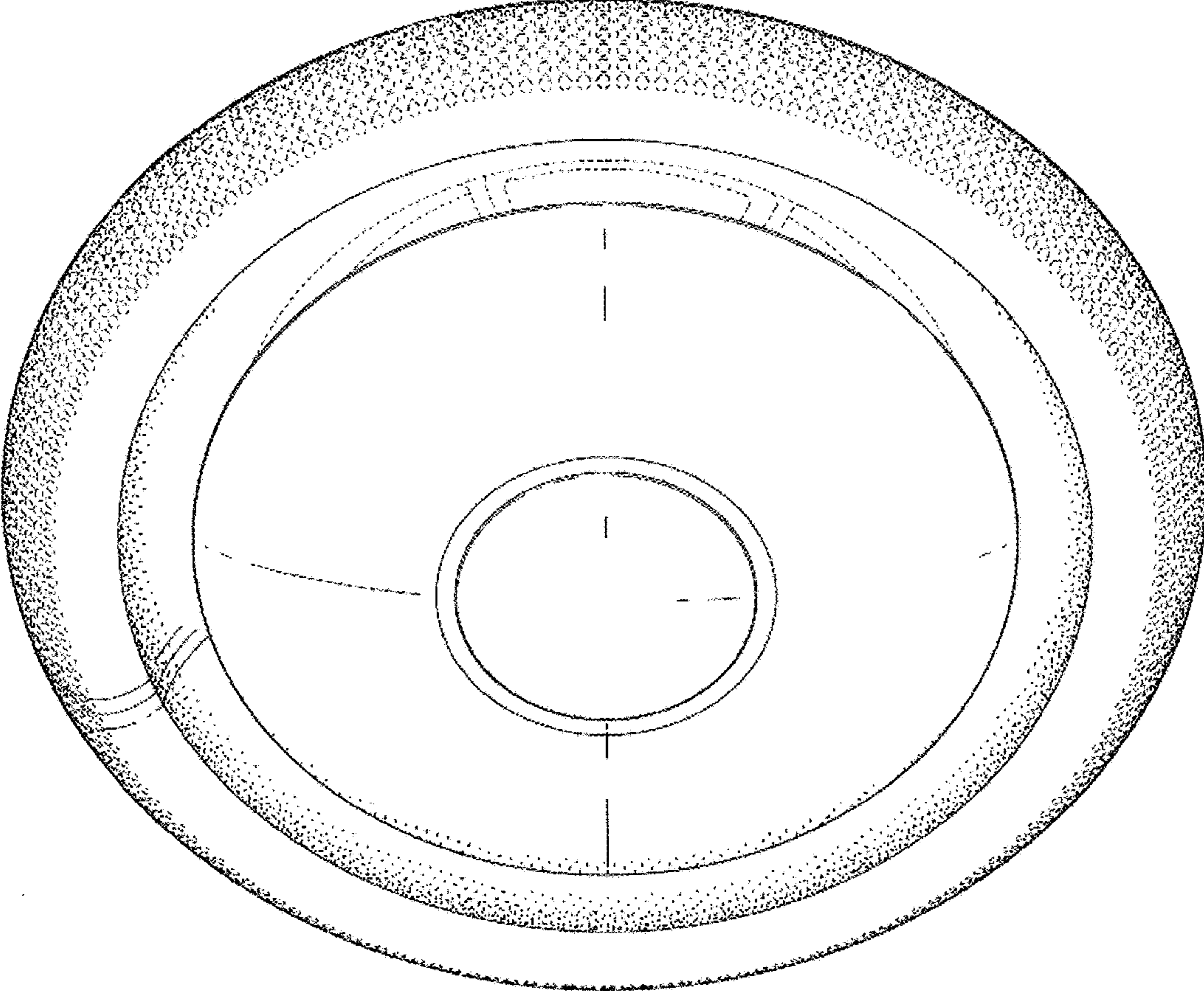


FIG. 8

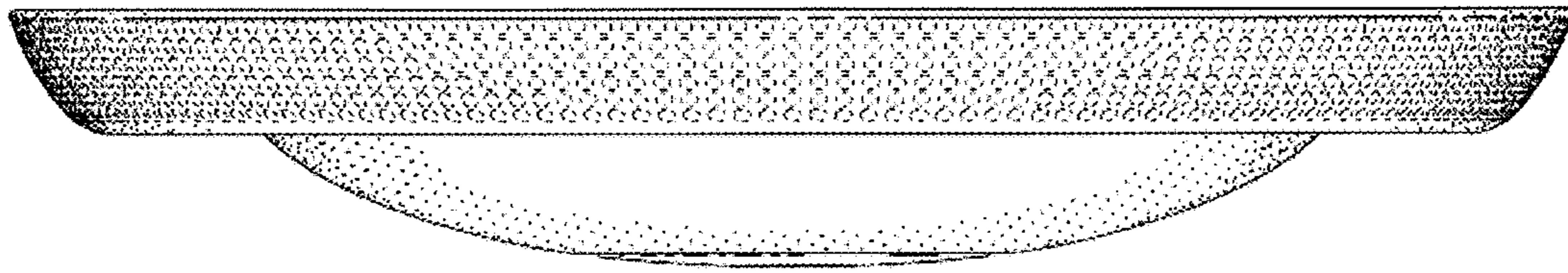


FIG. 9

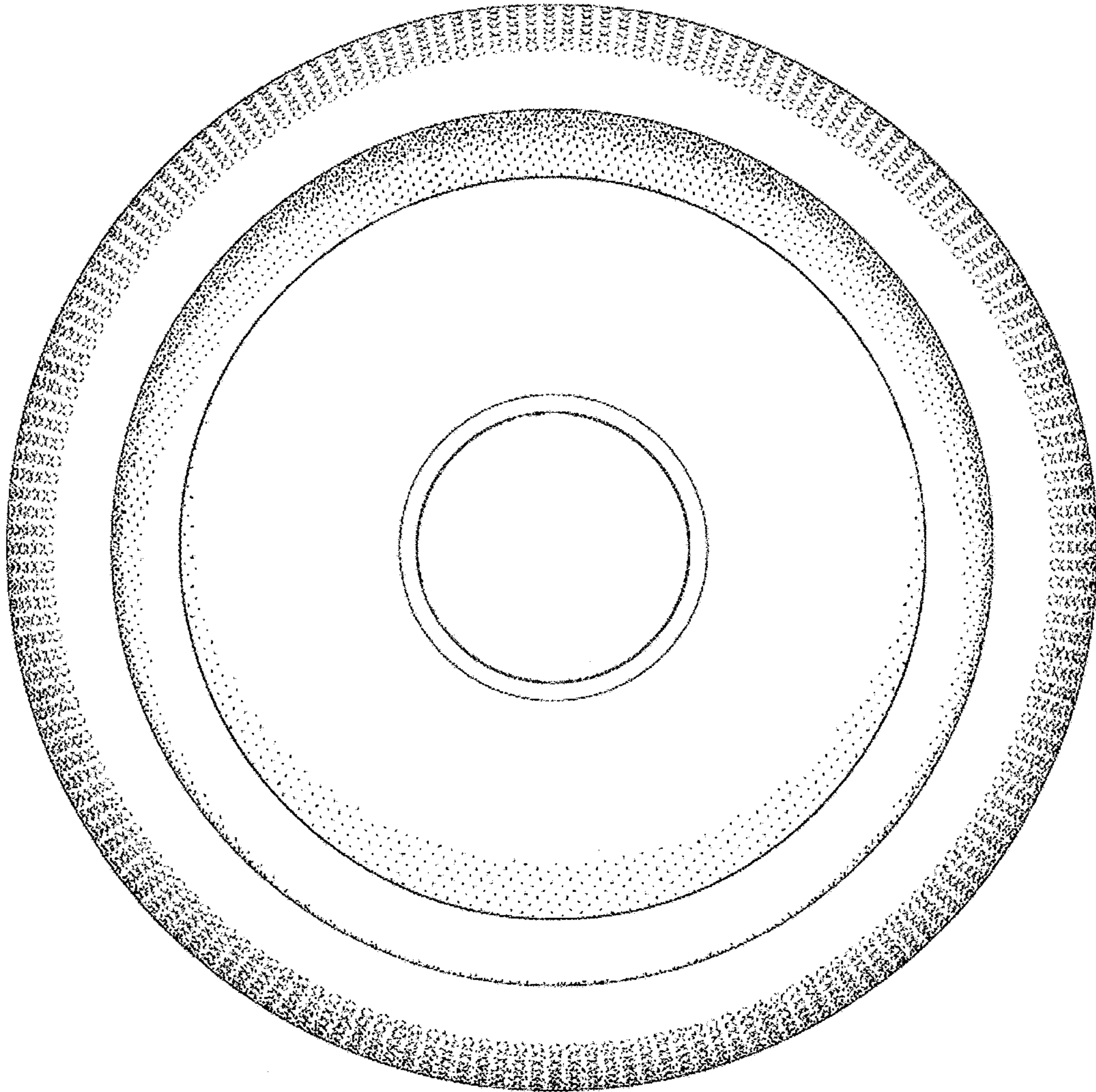


FIG. 10