



US00D781814S

(12) **United States Design Patent**
Levine

(10) **Patent No.:** **US D781,814 S**

(45) **Date of Patent:** **** *Mar. 21, 2017**

- (54) **HEADPHONE DEVICE**
- (71) Applicant: **New Audio LLC**, New York, NY (US)
- (72) Inventor: **Jonathan E. Levine**, New York, NY (US)
- (73) Assignee: **New Audio LLC**, New York, NY (US)
- (*) Notice: This patent is subject to a terminal disclaimer.
- (**) Term: **15 Years**
- (21) Appl. No.: **29/532,871**
- (22) Filed: **Jul. 10, 2015**

Related U.S. Application Data

- (63) Continuation of application No. 29/481,796, filed on Feb. 10, 2014, now Pat. No. Des. 736,175.
- (51) **LOC (10) Cl.** **14-01**
- (52) **U.S. Cl.**
USPC **D14/205**
- (58) **Field of Classification Search**
USPC D14/205, 249, 192, 188; D29/112;
2/209, 423; 381/74, 372, 371, 374, 376,
381/379, 370, 186; 455/90.3, 575.1;
379/430, 431; 181/129, 130, 135
CPC H04R 1/1066; H04R 25/00; H04R 1/02;
H04R 1/1016; H04R 5/0335; H04R 5/033
See application file for complete search history.

(56) **References Cited**

U.S. PATENT DOCUMENTS

- 571,399 A * 11/1896 Rowan H04R 21/021
381/180
- 1,821,529 A * 9/1931 Spencer H04R 7/122
181/155

- 1,926,688 A * 9/1933 Schaal G10K 9/22
116/137 R
- 2,373,172 A * 4/1945 Darby H04M 1/19
181/148
- D156,329 S * 12/1949 Federico et al. D14/227
- 2,670,807 A * 3/1954 Brown H04R 7/00
381/186
- D178,361 S * 7/1956 Grigg D14/210
- 2,924,290 A * 2/1960 Zuerker H04R 7/12
181/165
- 3,922,725 A 12/1975 Csiki
- D244,037 S * 4/1977 Warner D14/205

(Continued)

OTHER PUBLICATIONS

U.S. Appl. No. 14/821,619, filed Aug. 7, 2015, Levine, Jonathan E., et al.

(Continued)

Primary Examiner — Paula Greene

(74) *Attorney, Agent, or Firm* — Perkins Coie LLP

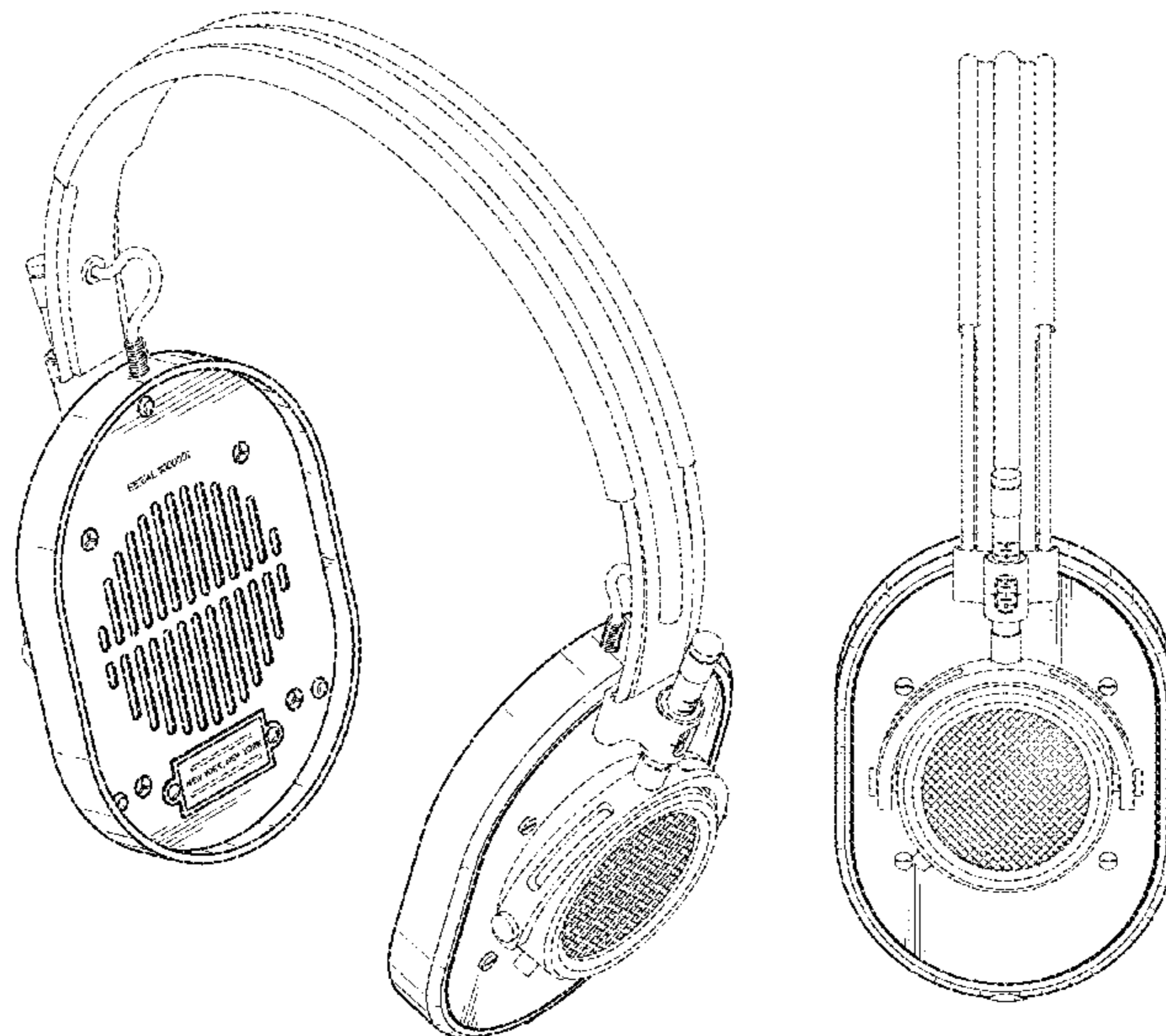
(57) **CLAIM**

The ornamental design for a headphone device, as shown and described.

DESCRIPTION

FIG. 1 is a perspective view of a headphone device showing my new design, as viewed from the top and front.
 FIG. 2 is a front elevational view thereof.
 FIG. 3 is a back elevational view thereof.
 FIG. 4 is an outer side elevational view thereof.
 FIG. 5 is an opposite side elevational view thereof.
 FIG. 6 is a top plan view thereof; and,
 FIG. 7 is a bottom plan view thereof.
 The broken lines depict environment that forms no part of the claimed design.

1 Claim, 5 Drawing Sheets



(56)

References Cited

U.S. PATENT DOCUMENTS

4,037,064 A * 7/1977 Yasuda H04R 5/027
 381/26
 4,065,645 A * 12/1977 Warner H04R 5/0335
 381/371
 4,175,217 A * 11/1979 Williams H04M 1/23
 379/430
 4,424,881 A * 1/1984 Hattori H04R 1/025
 181/150
 4,796,307 A * 1/1989 Vantine A63B 71/10
 2/13
 D307,275 S * 4/1990 Pollard 379/452
 D323,166 S * 1/1992 Hino D14/188
 5,233,650 A * 8/1993 Chan H04M 1/05
 379/430
 D410,466 S 6/1999 Mouri et al.
 D422,206 S * 4/2000 Clark D14/219
 D432,522 S * 10/2000 Kieltyka D14/214
 6,263,085 B1 * 7/2001 Weffer H04R 5/033
 379/430
 6,392,196 B1 * 5/2002 Lin A61F 11/14
 2/209
 7,391,878 B2 * 6/2008 Liao H04R 5/033
 381/370
 D635,958 S * 4/2011 Ando D14/205
 D652,021 S * 1/2012 Miyawaki D14/216
 D652,022 S * 1/2012 Miyawaki D14/216
 8,213,644 B2 * 7/2012 Choi H04R 9/06
 381/151
 D666,579 S * 9/2012 Hou D14/205
 D680,999 S * 4/2013 Chan D14/158
 D712,872 S * 9/2014 Yuen D14/205
 D727,280 S 4/2015 Levine et al.
 D727,281 S 4/2015 Levine et al.
 D736,174 S 8/2015 Levine et al.

D736,175 S 8/2015 Levine et al.
 D741,842 S 10/2015 Levine et al.
 D762,191 S * 7/2016 Levine D14/205

OTHER PUBLICATIONS

U.S. Appl. No. 14/821,643, filed Aug. 7, 2015, Levine, Jonathan E., et al.
 U.S. Appl. No. 29/520,926, filed Mar. 18, 2015, Levine, Jonathan E et al.
 U.S. Appl. No. 29/520,928, filed Mar. 18, 2015, Levine, Jonathan E., et al.
 U.S. Appl. No. 29/532,363, filed Jul. 6, 2015, Levine, Jonathan E., et al.
 U.S. Appl. No. 29/532,834, filed Jul. 10, 2015, Levine, Jonathan E., et al.
 U.S. Appl. No. 29/535,635, filed Aug. 7, 2015, Levine, Jonathan E., et al.
 U.S. Appl. No. 29/542,067, filed Oct. 9, 2015, Levine, Jonathan E., et al.
 Non-Final Office Action for Design U.S. Appl. No. 29/481,794, mailed Dec. 9, 2014, U.S. Patent and Trademark Office, 8 pages.
 Non-Final Office Action for Design U.S. Appl. No. 29/481,796, mailed Nov. 25, 2014, U.S. Patent and Trademark Office, 8 pages.
 Notice of Allowance for Design U.S. Appl. No. 29/481,787, mailed Dec. 10, 2014, U.S. Patent and Trademark Office, 11 pages.
 Notice of Allowance for Design U.S. Appl. No. 29/481,791, mailed Dec. 3, 2014, U.S. Patent and Trademark Office, 8 pages.
 Notice of Allowance for Design U.S. Appl. No. 29/481,794, mailed Apr. 17, 2015, U.S. Patent and Trademark Office, 6 pages.
 Notice of Allowance for Design U.S. Appl. No. 29/481,796, mailed Apr. 10, 2015, U.S. Patent and Trademark Office, 5 pages.
 Notice of Allowance for Design U.S. Appl. No. 29/495,943, mailed Jun. 24, 2015, U.S. Patent and Trademark Office, 18 pages.

* cited by examiner

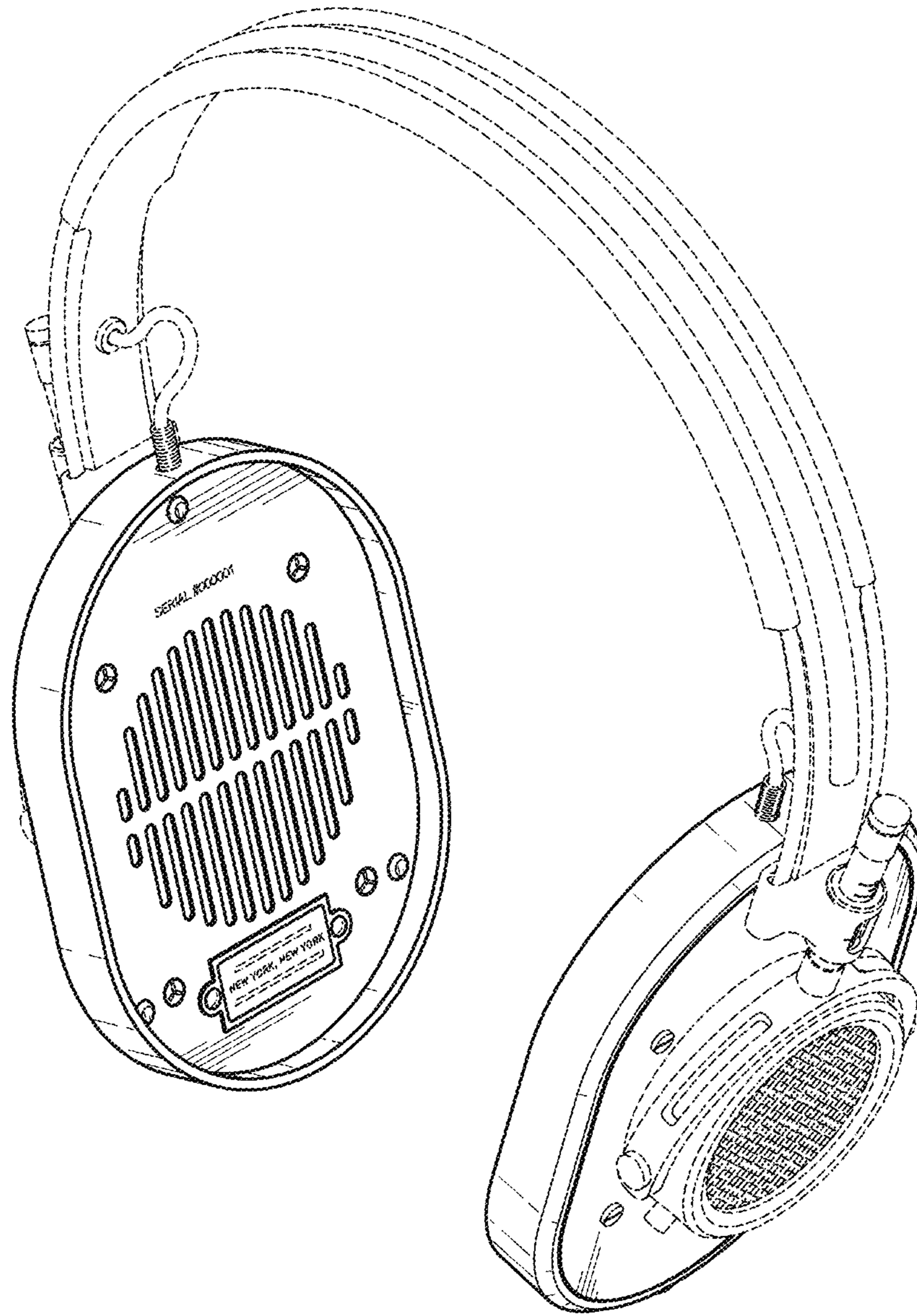


Fig. 1

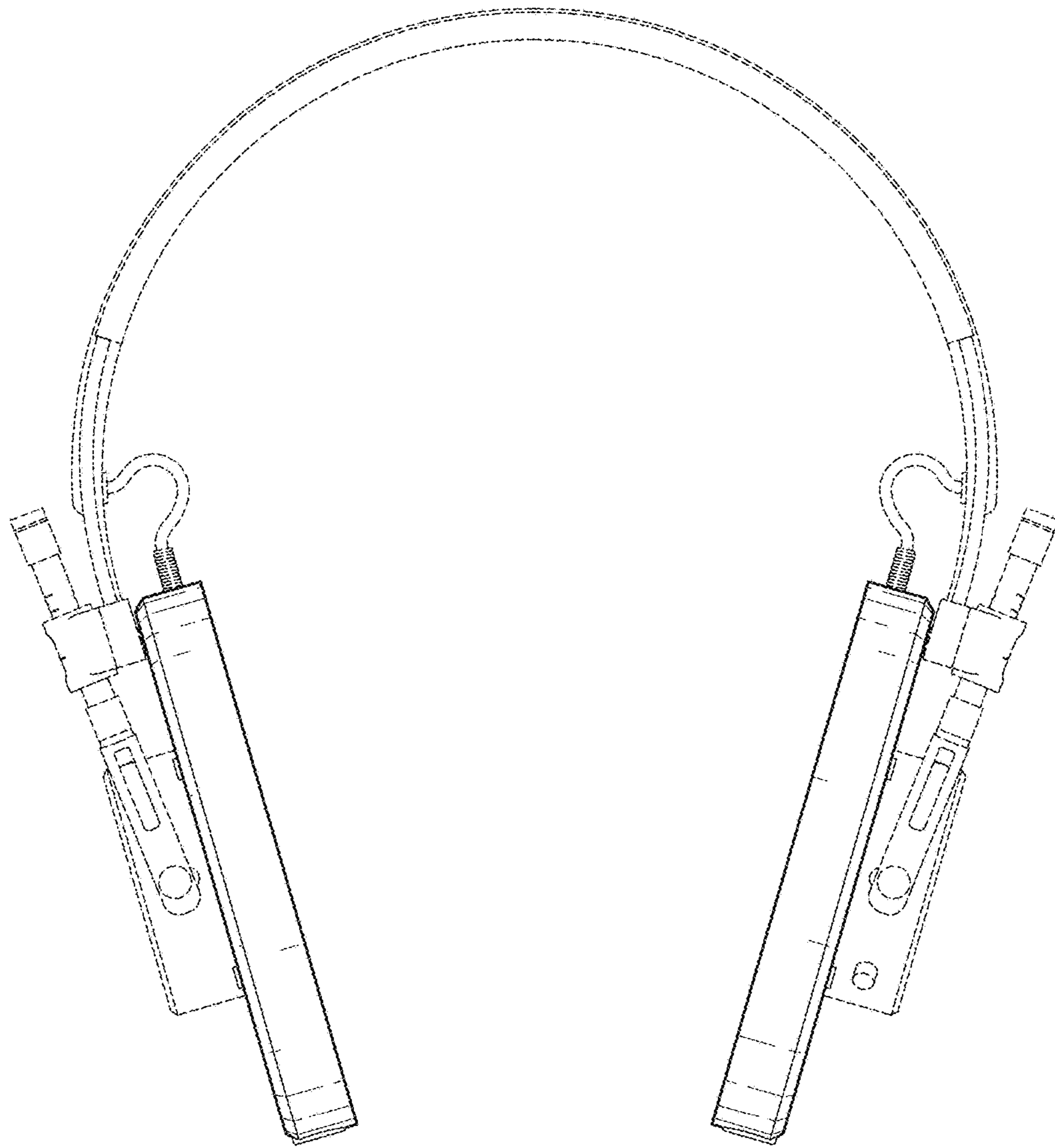


Fig. 2

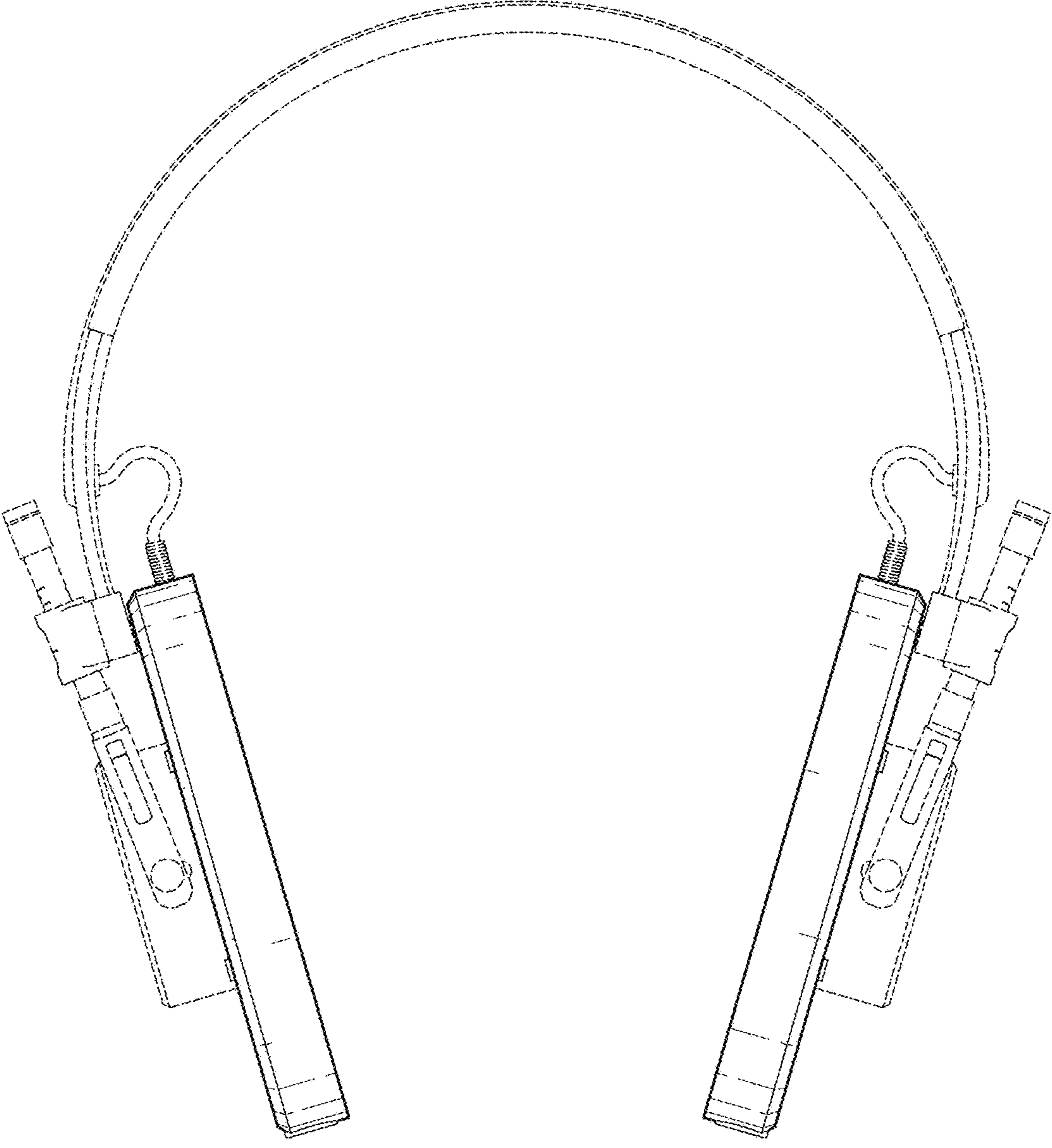


Fig. 3

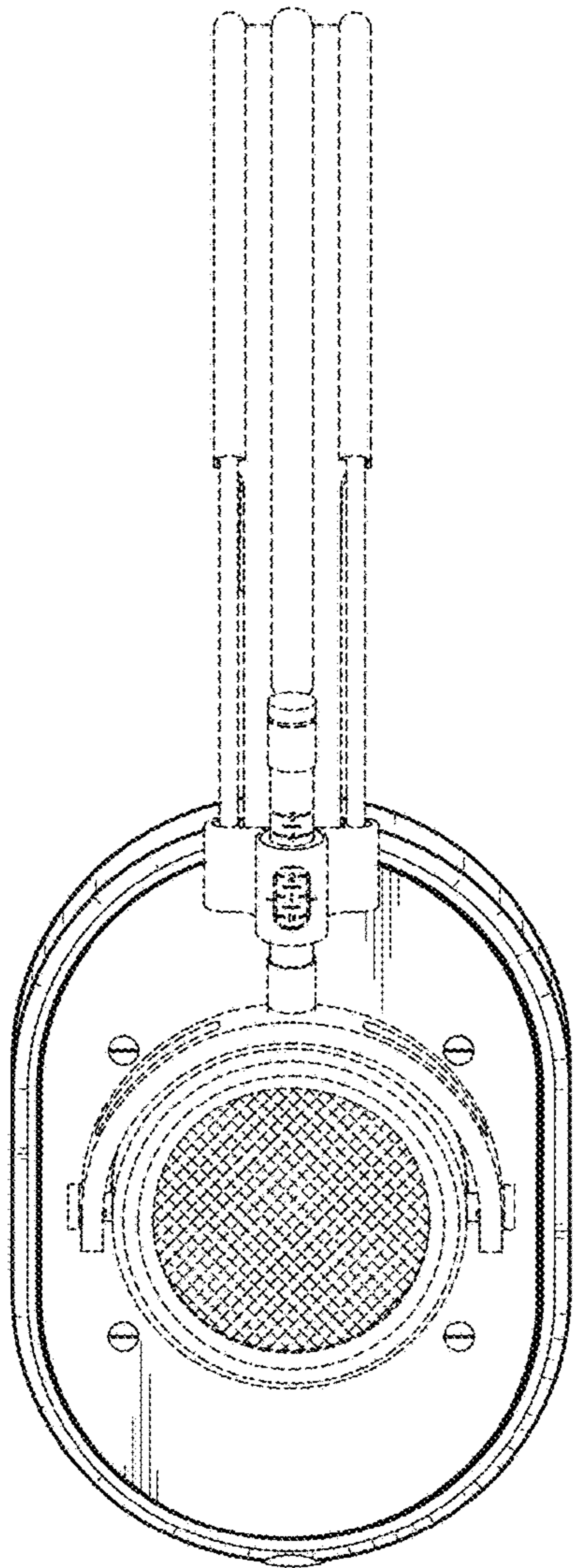


Fig. 4

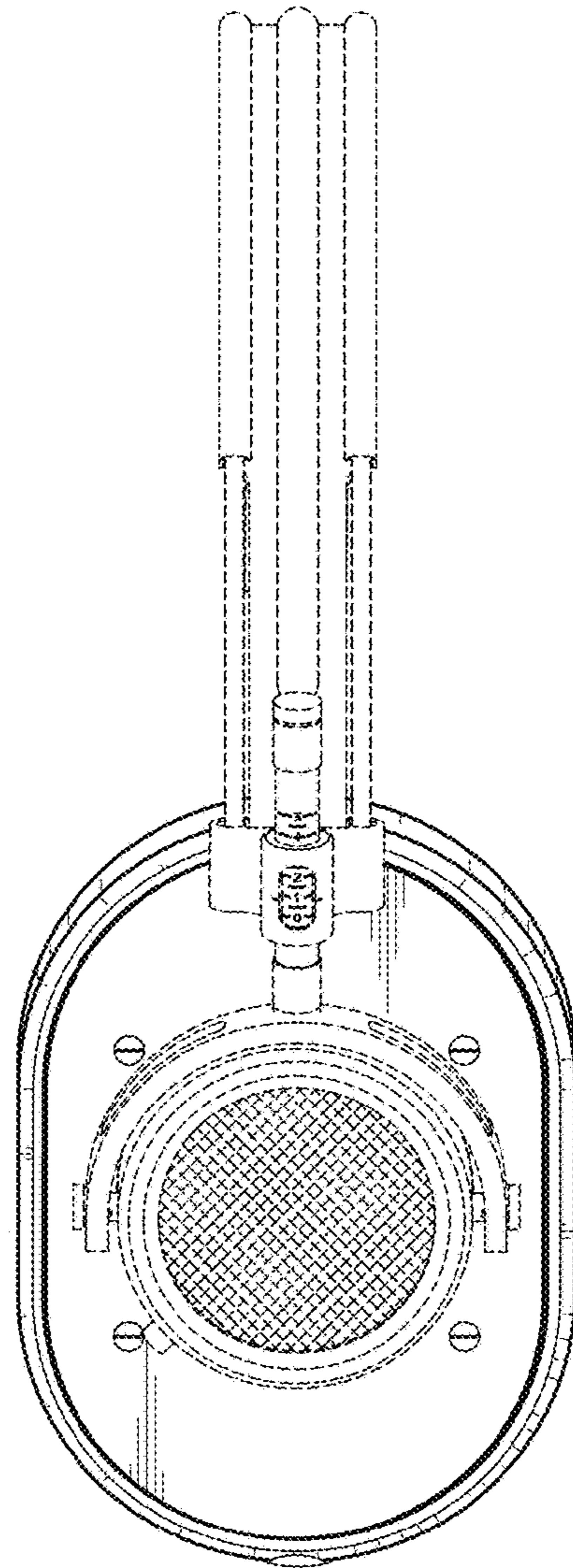


Fig. 5

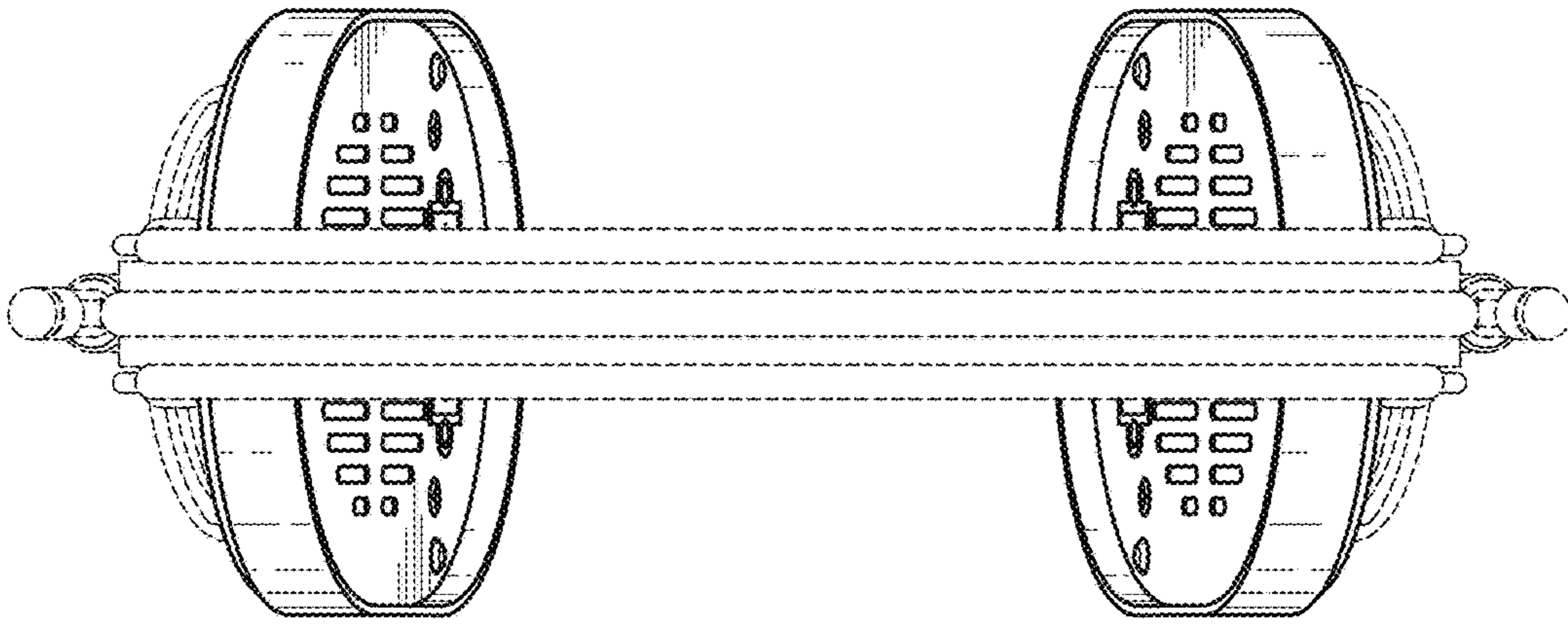


Fig. 6

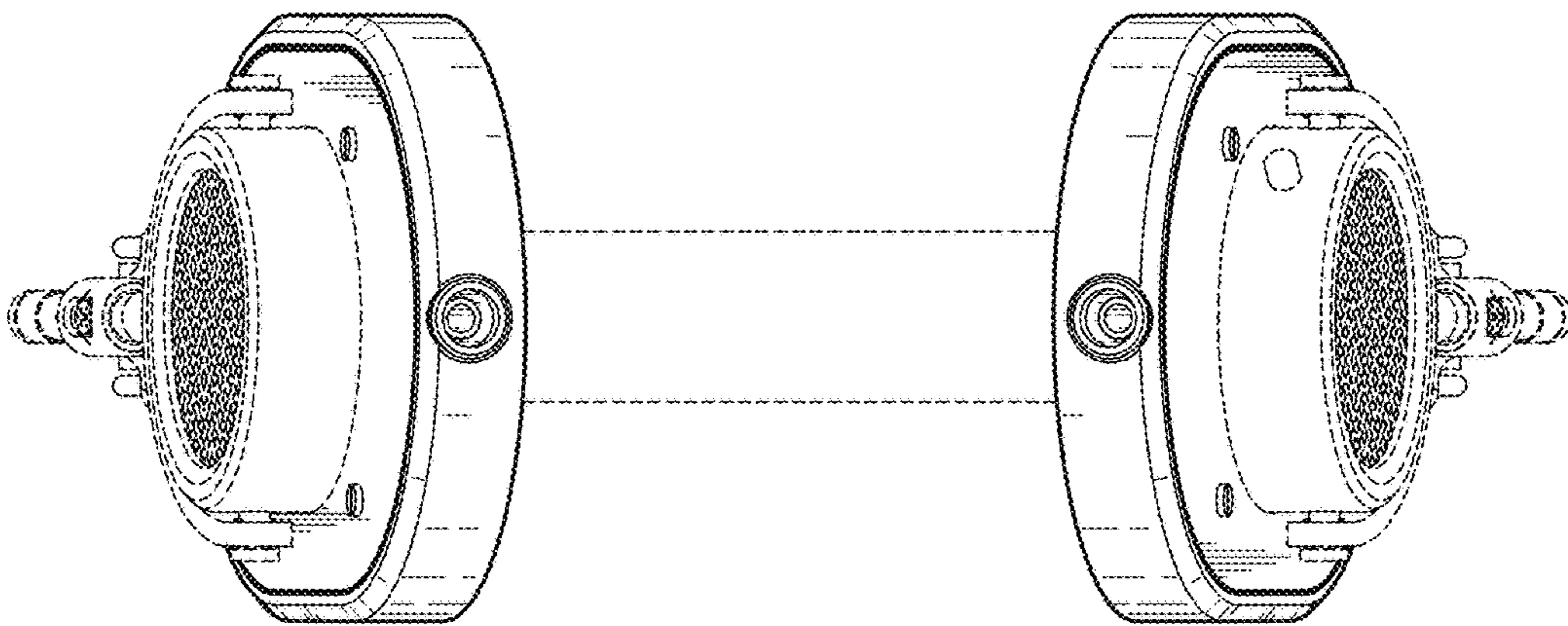


Fig. 7