



US00D781812S

(12) **United States Design Patent** (10) **Patent No.:** **US D781,812 S**
Cho et al. (45) **Date of Patent:** **** Mar. 21, 2017**

(54) **SPEAKER**
(71) Applicant: **Creative Technology Ltd**, Singapore (SG)
(72) Inventors: **Mei San Gigi Cho**, Singapore (SG); **Huang Pheng Vince Ang**, Singapore (SG)
(73) Assignee: **Creative Technology Ltd**, Singapore (SG)

5,781,645 A * 7/1998 Beale H04R 3/12 381/300
D446,499 S * 8/2001 Andre D13/110
D493,617 S * 8/2004 Armato D3/294
D612,329 S * 3/2010 Guccione D13/108
D636,257 S * 4/2011 Bougoulas D9/420
D643,807 S * 8/2011 Jiang D13/103
D665,734 S * 8/2012 Fitch D13/107

(Continued)

(**) Term: **14 Years**

FOREIGN PATENT DOCUMENTS

KR 300380485.0000 * 5/2005

(21) Appl. No.: **29/495,532**

OTHER PUBLICATIONS

(22) Filed: **Jul. 1, 2014**

Braven 600 Portable Bluetooth Speaker, announced Jul. 2012, [online], site visited Aug. 30, 2015. Available from Internet, <URL: <http://www.androidpolice.com>>.*

(30) **Foreign Application Priority Data**

Jan. 3, 2014 (SG) D2014/3/Z

Primary Examiner — Ian Simmons

(51) **LOC (10) Cl.** **14-01**

Assistant Examiner — Janice Lim

(52) **U.S. Cl.**

(74) *Attorney, Agent, or Firm* — Russell Swerdon; Desmond Gean

USPC **D14/204**

(58) **Field of Classification Search**

USPC D3/20, 200, 201, 273; D7/601–603, 615, D7/629, 630; D9/414, 416, 420, 423, D9/432, 435; D14/168, 188, 203.1, 204, D14/210, 212, 214, 221, 222, 314, 348, D14/365; 181/143, 144, 147, 148, 150, 181/153, 157, 198, 199; 381/300–303, 381/306, 332, 333, 336, 345, 361–364, 381/386–388; 369/6–12

(57) **CLAIM**

The ornamental design for a speaker, substantially as shown and described.

CPC H04R 1/02; H04R 1/021; H04R 1/023; H04R 5/00; H04R 9/06; H04R 2420/07

DESCRIPTION

See application file for complete search history.

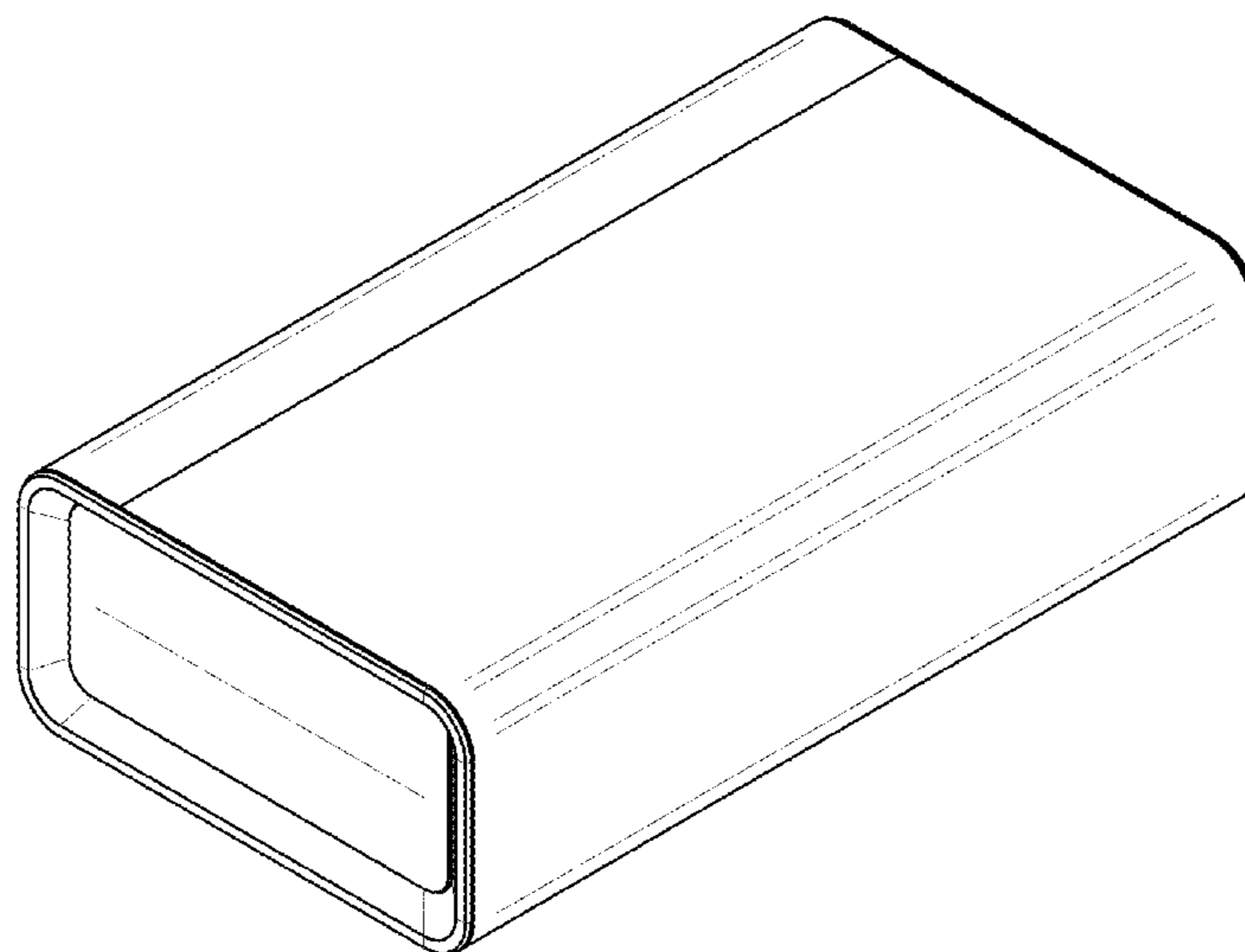
FIG. 1 is a front top left side perspective view of a speaker showing our new design;
FIG. 2 is a rear top right side perspective view thereof;
FIG. 3 is a front elevational view thereof;
FIG. 4 is a rear elevational view thereof;
FIG. 5 is a left side elevational view thereof;
FIG. 6 is a right side elevational view thereof;
FIG. 7 is a top plan view thereof; and,
FIG. 8 is a bottom plan view thereof.

(56) **References Cited**

U.S. PATENT DOCUMENTS

D277,415 S * 1/1985 Berger D26/46
D383,732 S * 9/1997 Haley D14/435

1 Claim, 8 Drawing Sheets



(56)

References Cited

U.S. PATENT DOCUMENTS

D677,623 S * 3/2013 Fitch D13/108
D678,258 S * 3/2013 Seto D14/240
D682,449 S * 5/2013 Scazziga D26/37

* cited by examiner

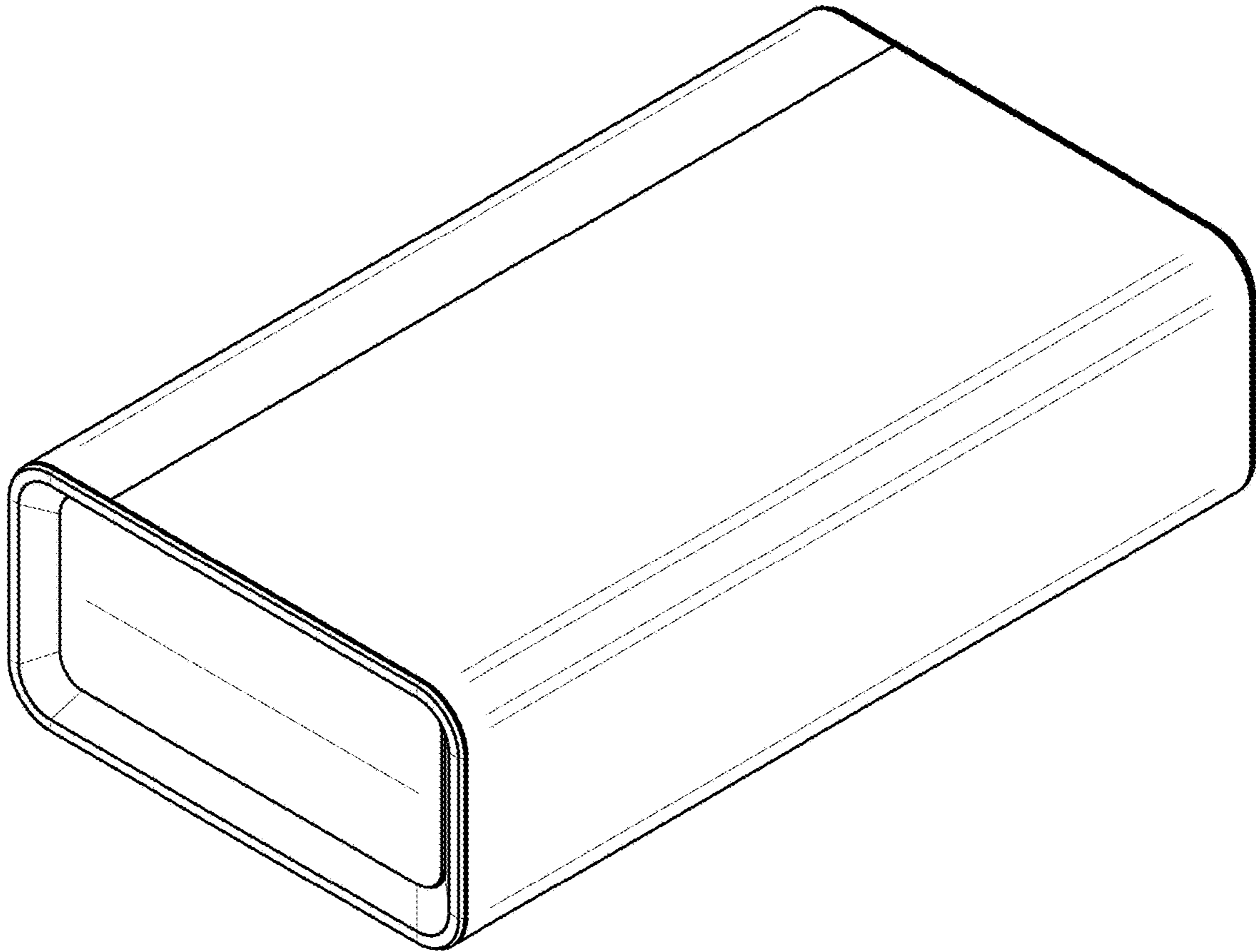


FIG. 1

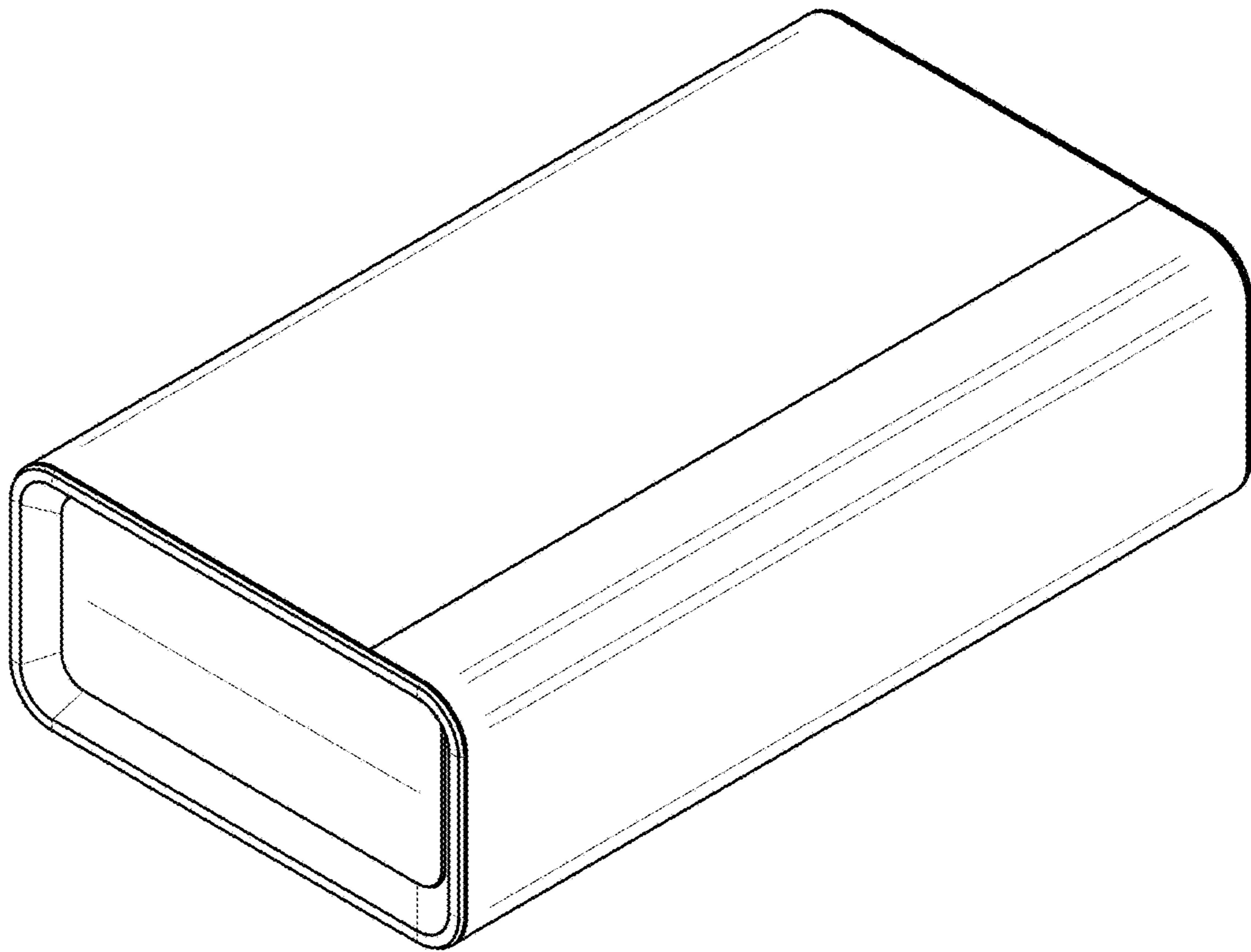


FIG. 2

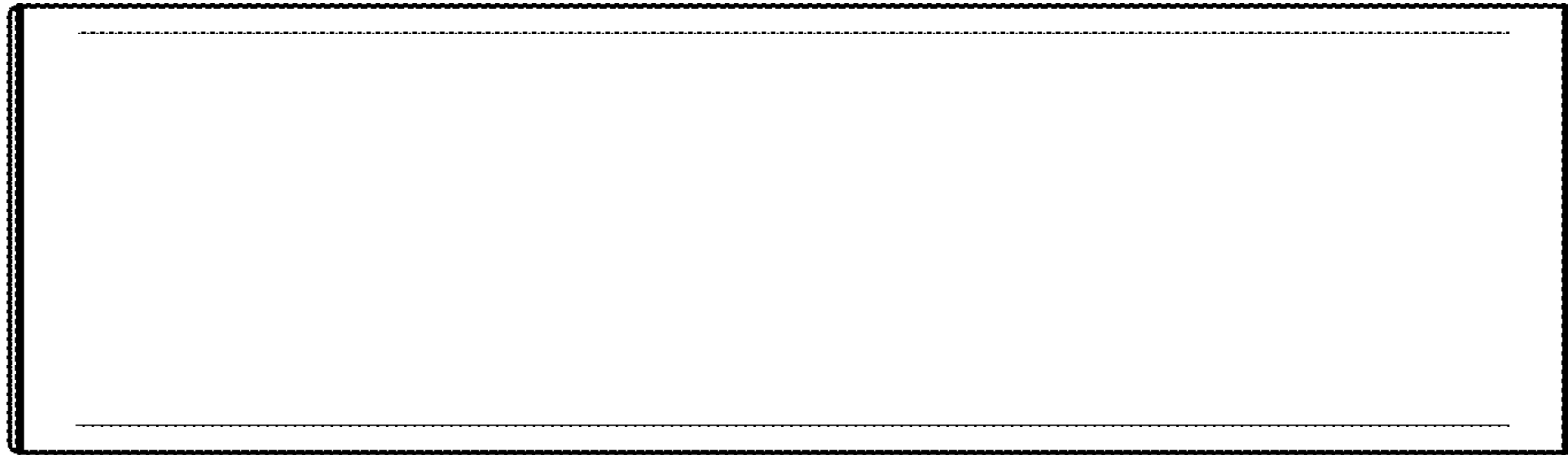


FIG. 3

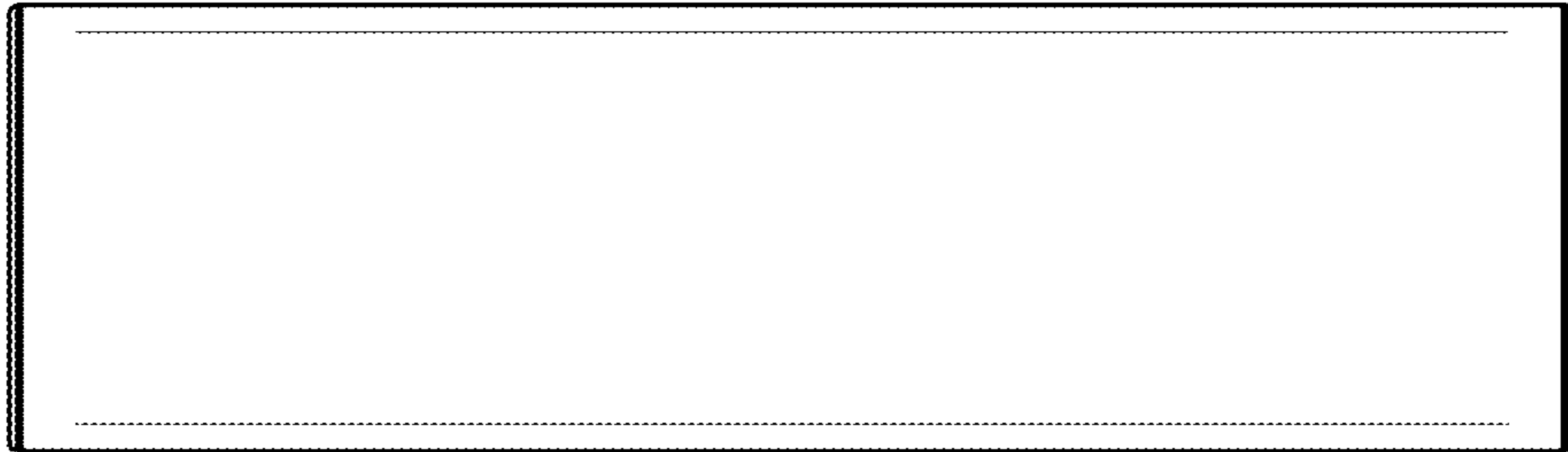


FIG. 4

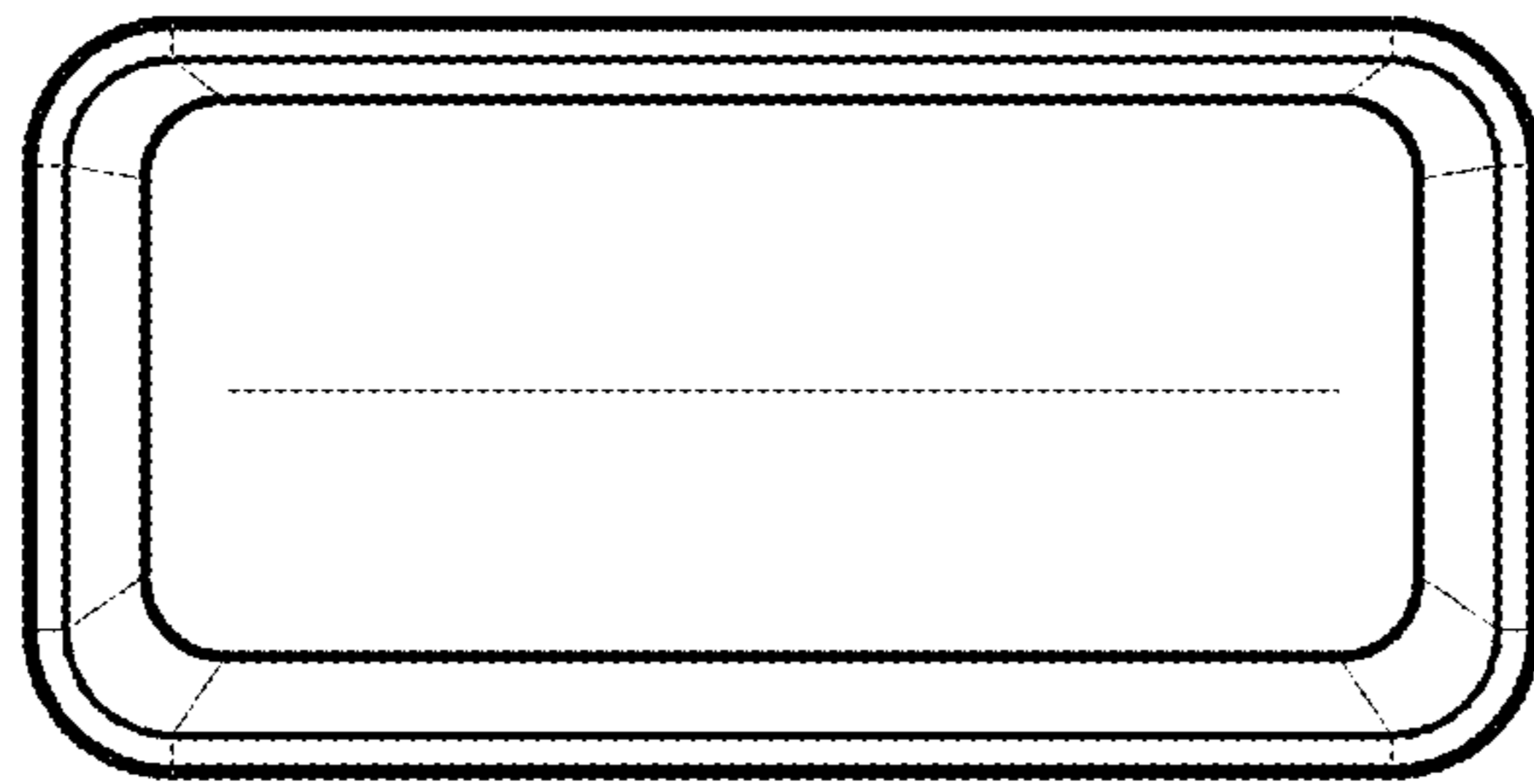


FIG. 5

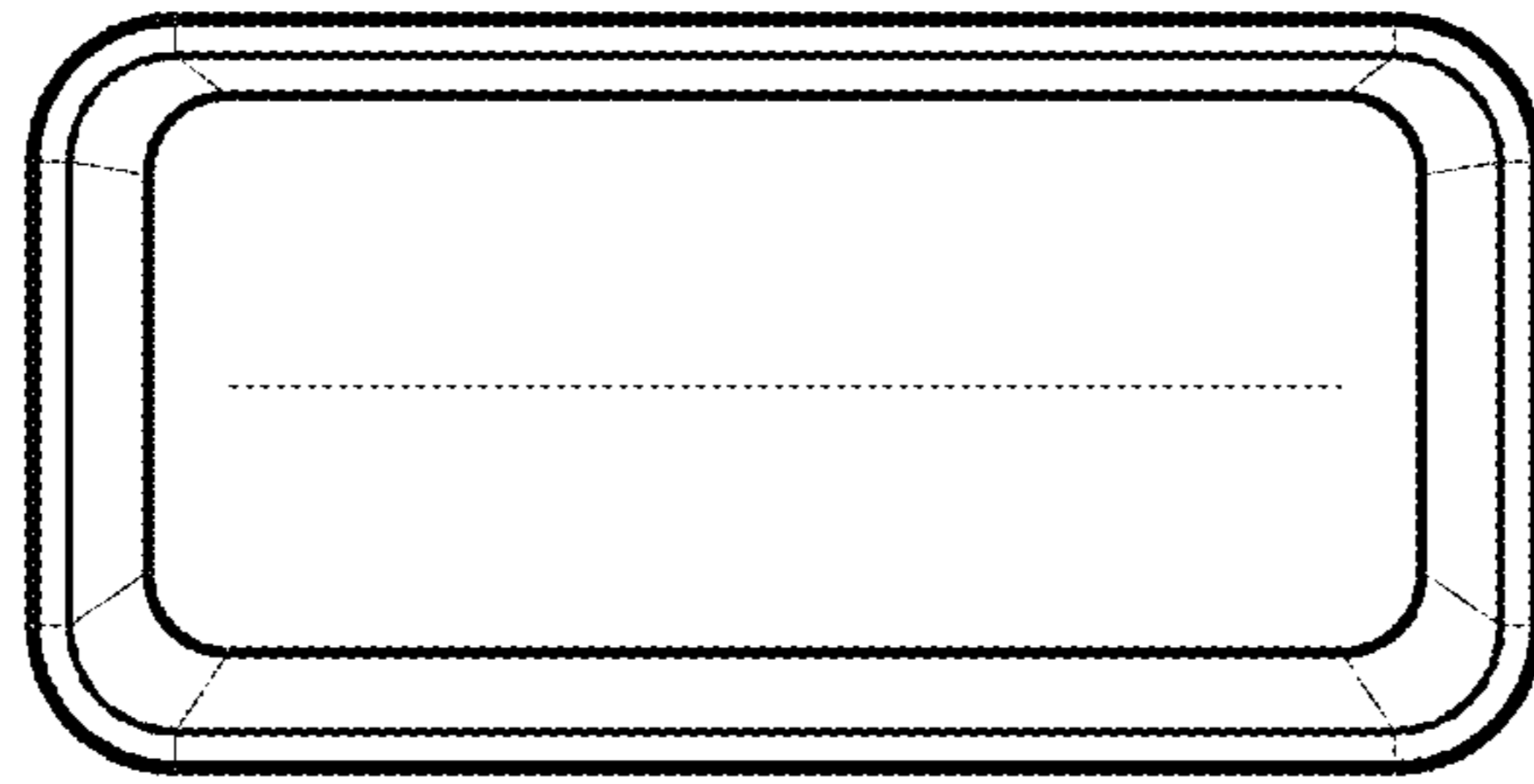


FIG. 6

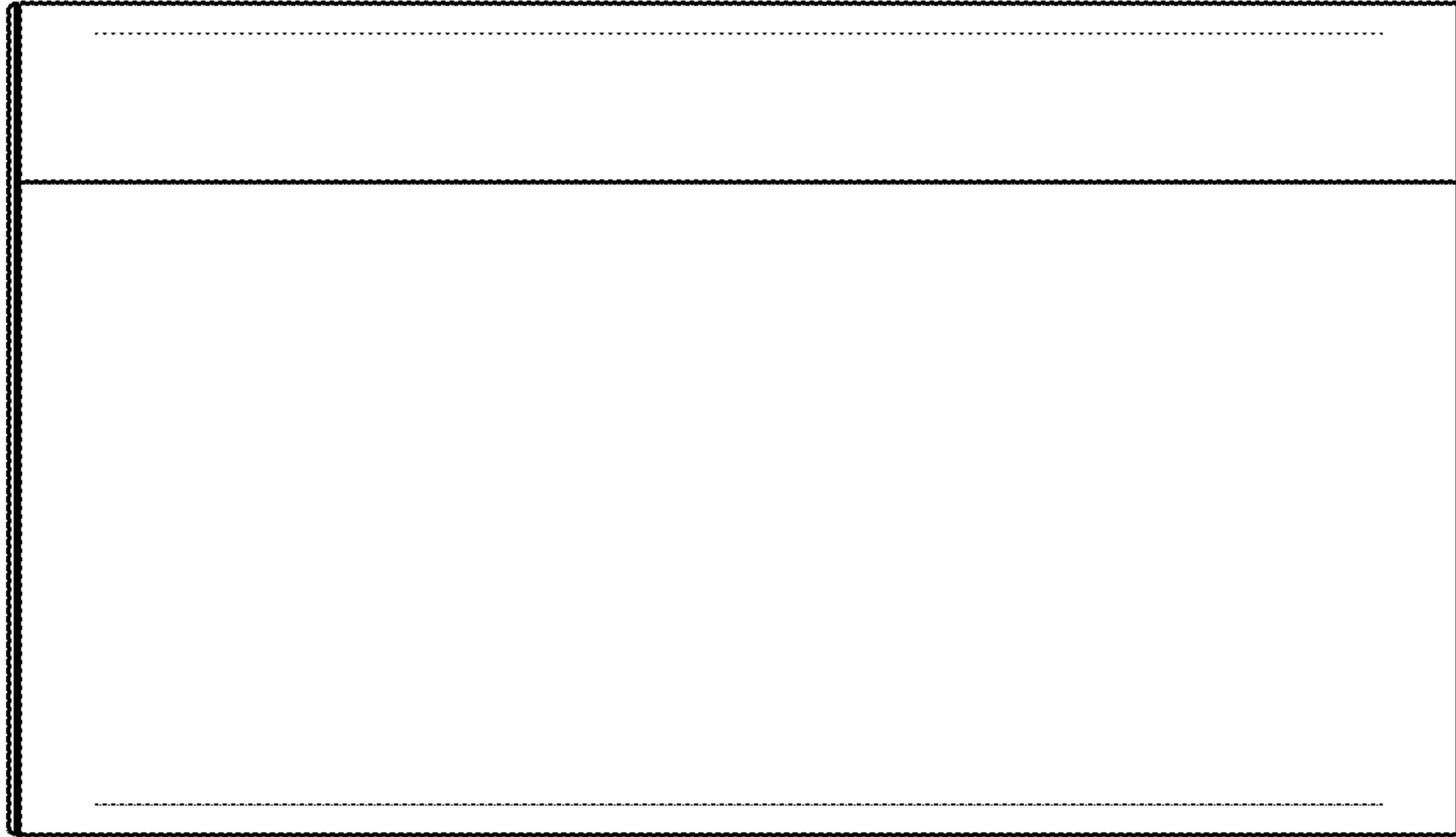


FIG. 7



FIG. 8