



US00D781811S

(12) **United States Design Patent**
Chanay et al.

(10) **Patent No.:** **US D781,811 S**
(45) **Date of Patent:** **** Mar. 21, 2017**

- (54) **SMART TEXTILE CONTROLLER**
- (71) Applicant: **OMsignal Inc.**, Montreal (CA)
- (72) Inventors: **Frederic Chanay**, Montreal (CA);
Alain Martel, Montreal (CA)
- (73) Assignee: **OMsignal Inc.**, Montreal (CA)
- (**) Term: **14 Years**
- (21) Appl. No.: **29/513,852**
- (22) Filed: **Jan. 6, 2015**
- (51) **LOC (10) Cl.** **14-03**
- (52) **U.S. Cl.**
USPC **D14/155**
- (58) **Field of Classification Search**
USPC D14/167, 154, 168, 188, 496, 156, 160,
D14/161, 162, 163, 164, 165, 158, 341,
D14/346, 342, 345, 155, 218, 225;
D16/208; D26/38; 455/351, 350, 575.1,
455/556.1; D10/104, 106, 65, 57
CPC H04B 1/385; H04M 1/6091; H04M 1/6066
See application file for complete search history.

D589,490 S *	3/2009	Thusbass	D14/155
D682,247 S *	5/2013	Tanaka	D14/155
D682,806 S *	5/2013	Smith	D14/155
D696,223 S *	12/2013	Will	D14/155
D705,748 S *	5/2014	He	D14/155
D734,290 S *	7/2015	Reimer	D14/155
D738,347 S *	9/2015	Reimer	D14/155
D754,067 S *	4/2016	Kovacs	D13/133

* cited by examiner

Primary Examiner — Austin Murphy
(74) *Attorney, Agent, or Firm* — Cooley LLP

(57) **CLAIM**

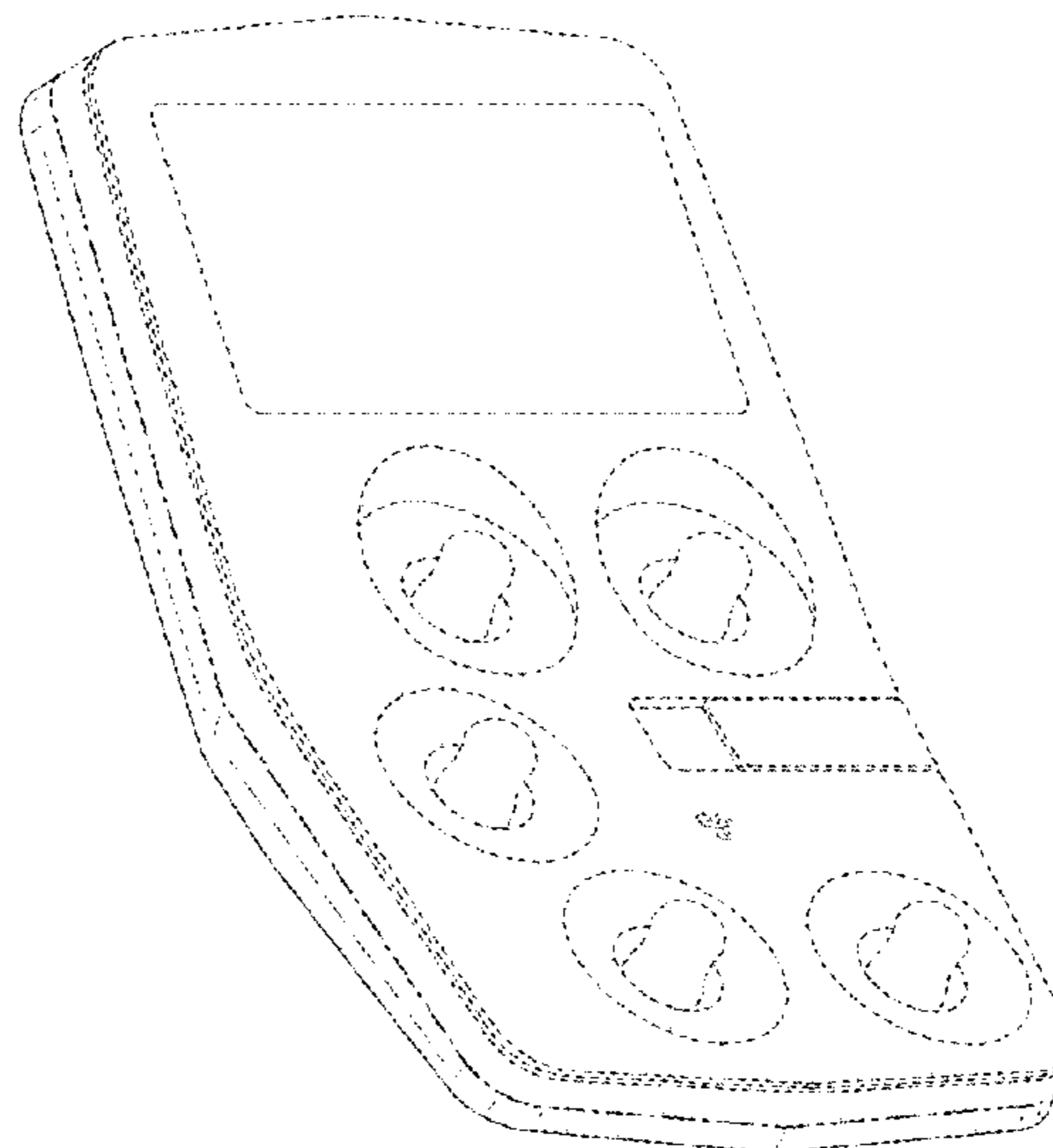
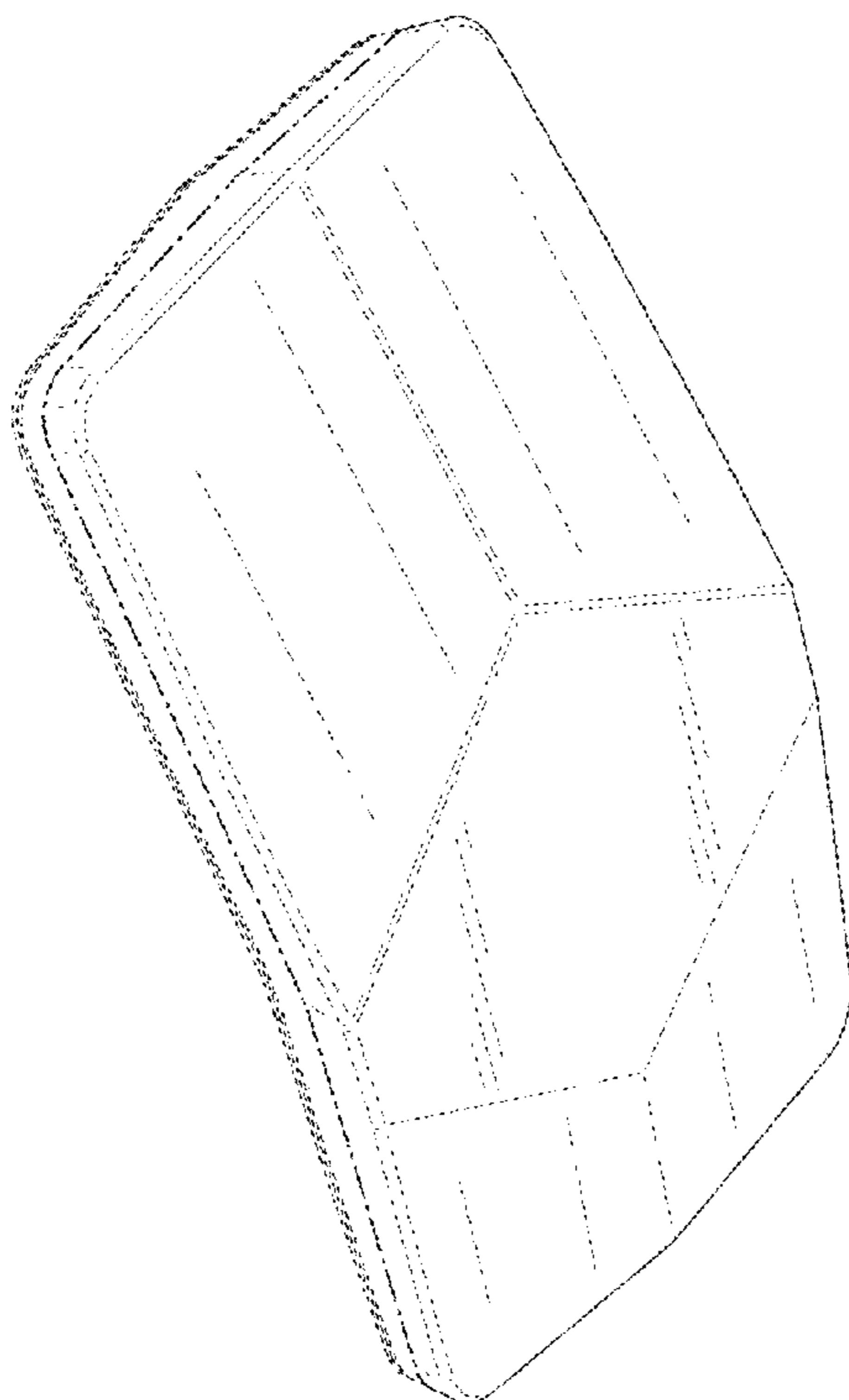
The ornamental design for a smart textile controller, as shown and described.

DESCRIPTION

FIG. 1 is a perspective view of an embodiment;
 FIG. 2 is a another perspective view of the embodiment;
 FIG. 3 is a front view of the embodiment;
 FIG. 4 is a back view of the embodiment;
 FIG. 5 is a top view of the embodiment;
 FIG. 6 is a bottom view of the embodiment;
 FIG. 7 is a left side view of the embodiment; and,
 FIG. 8 is a right side view of the embodiment.
 The broken lines immediately adjacent the shaded areas represent the bounds of the claimed design while all other broken lines are directed to environment and are for illustrative purposes only; the broken lines form no part of the claimed design.

1 Claim, 8 Drawing Sheets

- (56) **References Cited**
U.S. PATENT DOCUMENTS
D388,721 S * 1/1998 Kinner D10/104.1
D436,585 S * 1/2001 Nuk D14/155
D521,486 S * 5/2006 Yokoyama D13/144
D535,279 S * 1/2007 Krieger D14/155



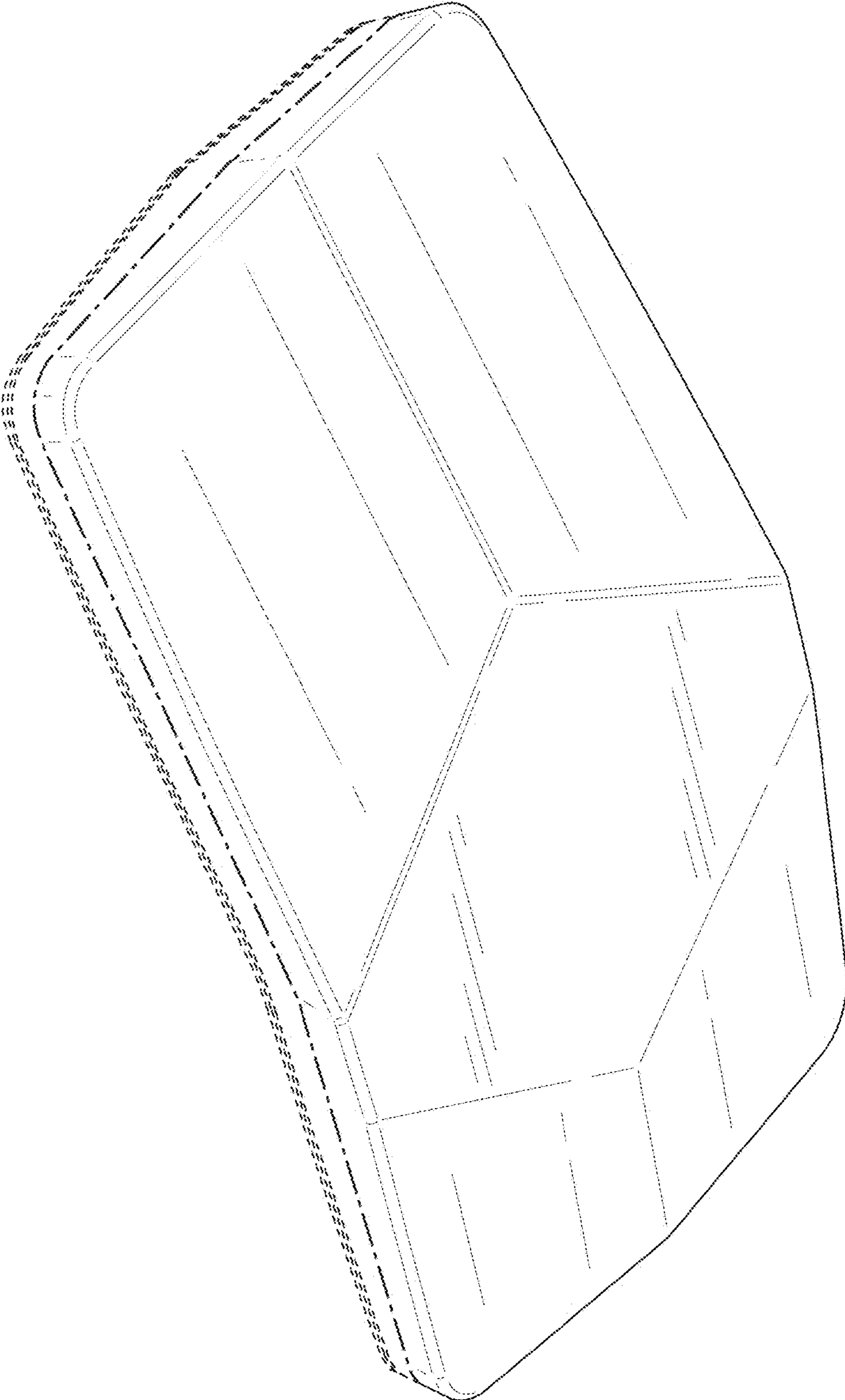


FIG. 1

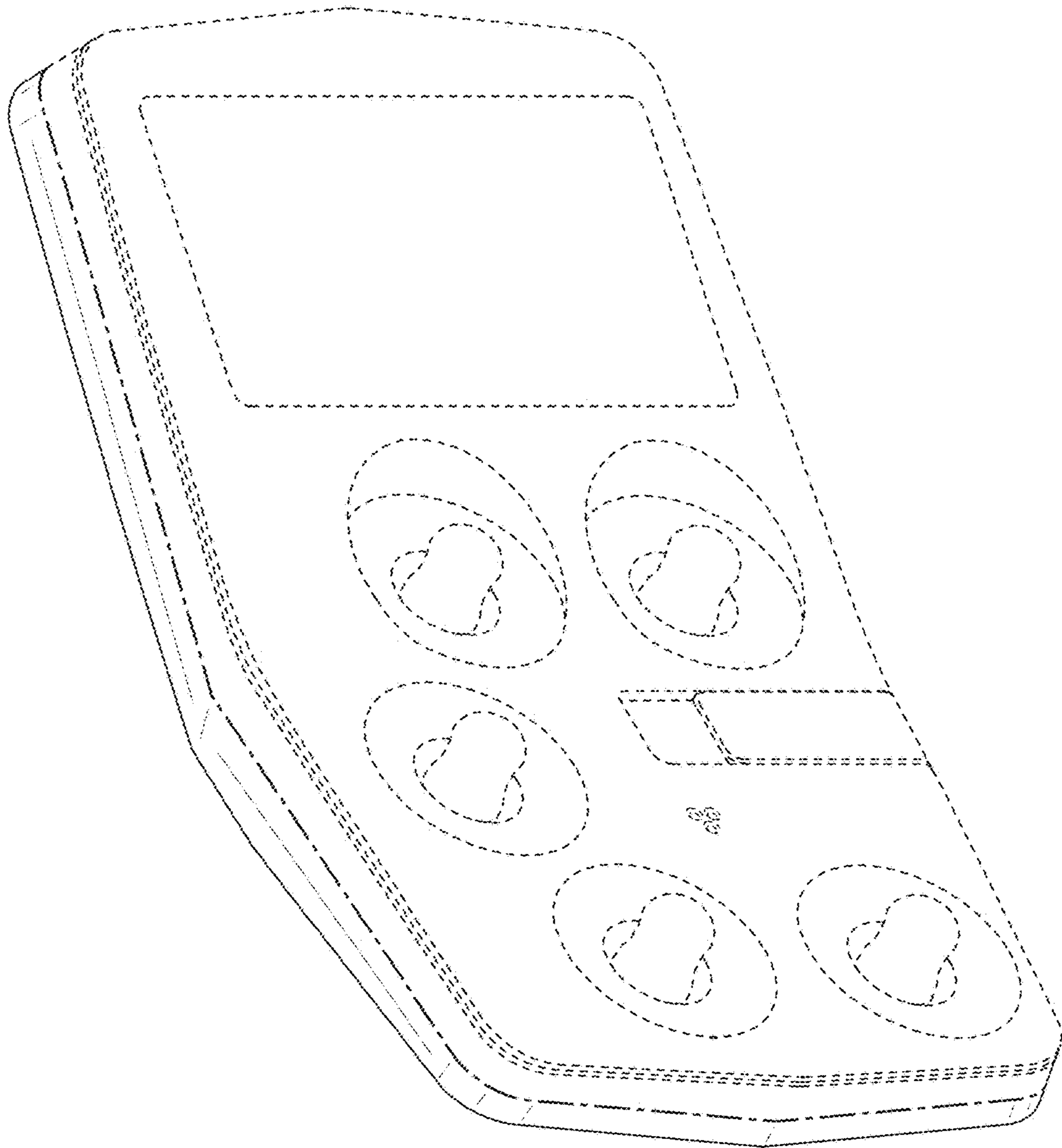


FIG. 2

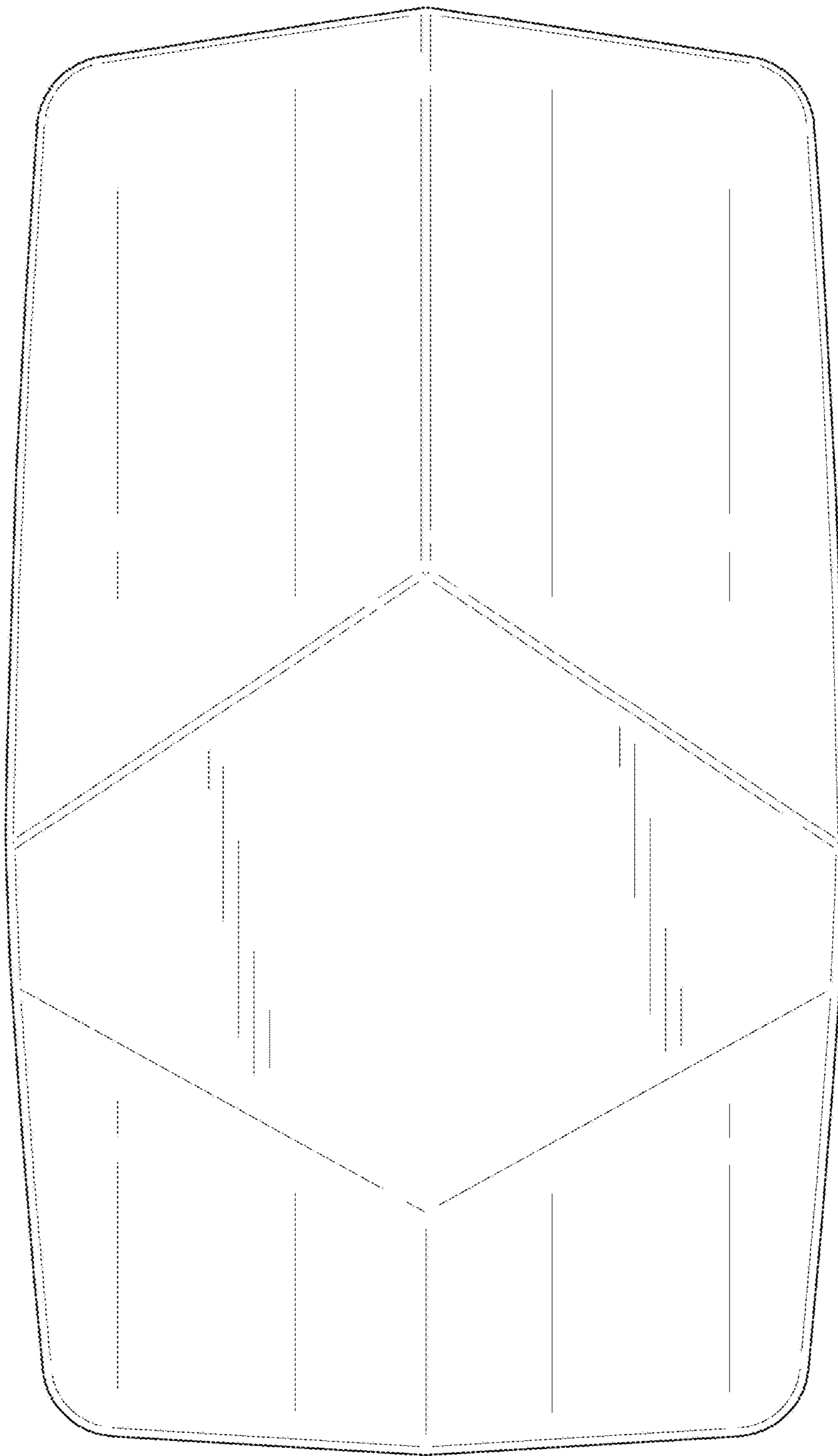


FIG. 3

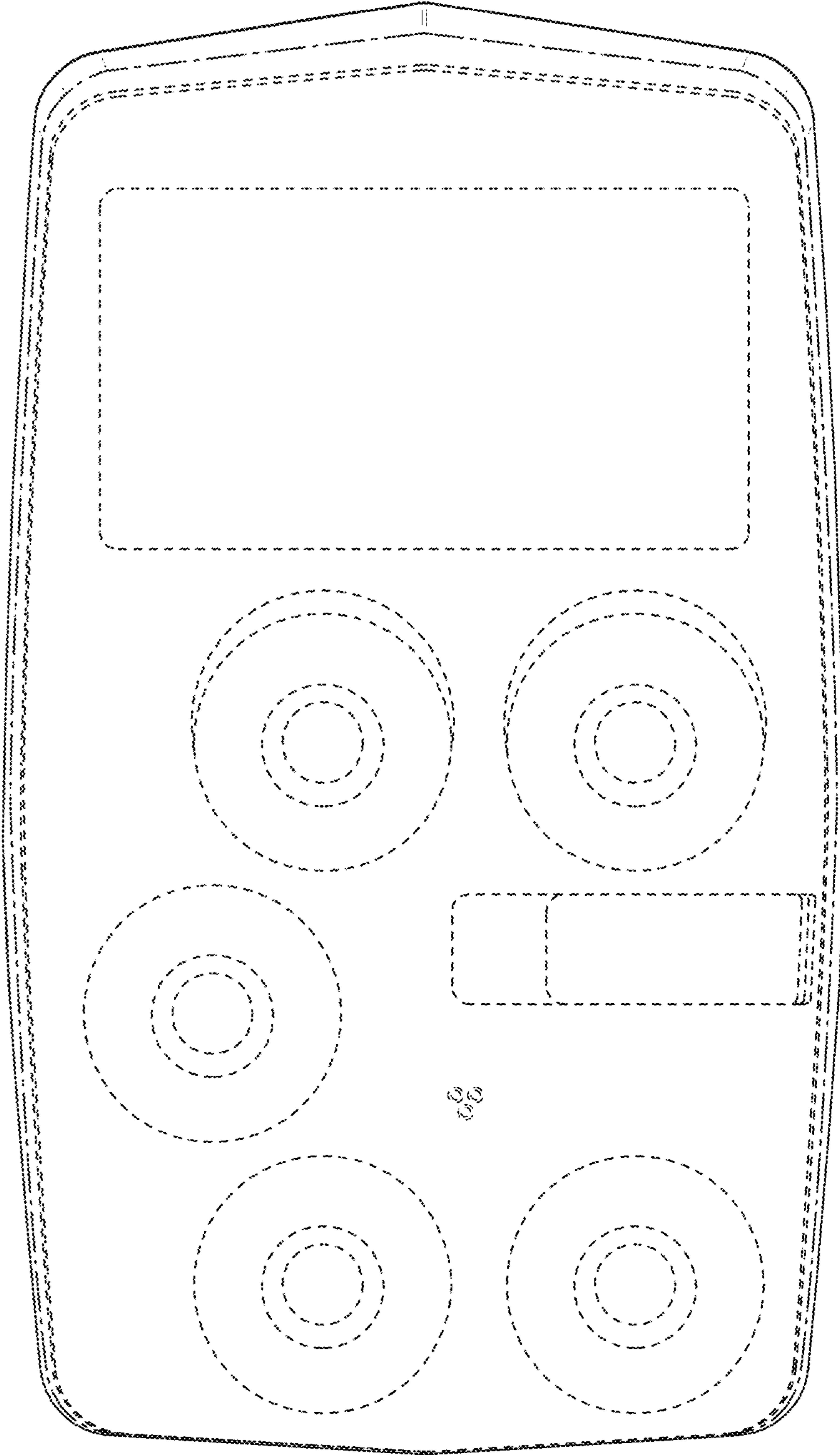


FIG. 4

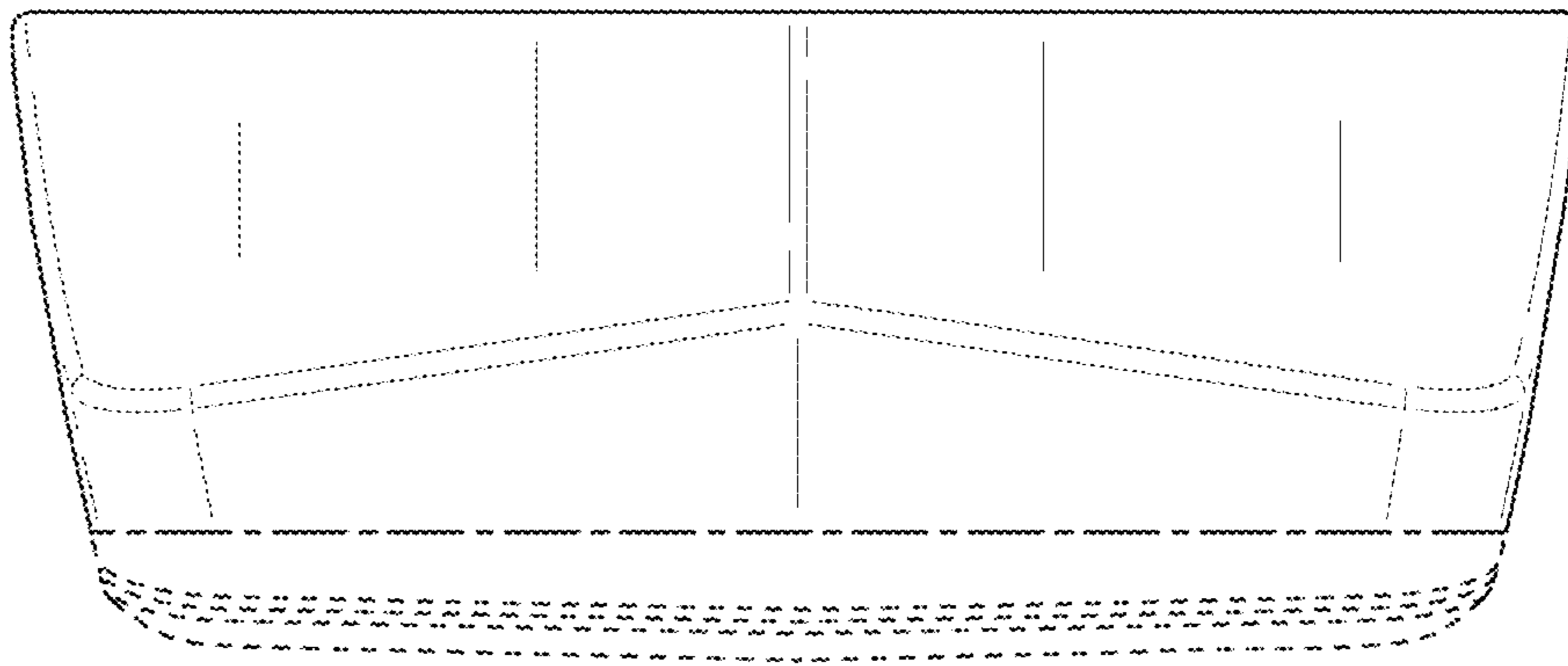


FIG. 5

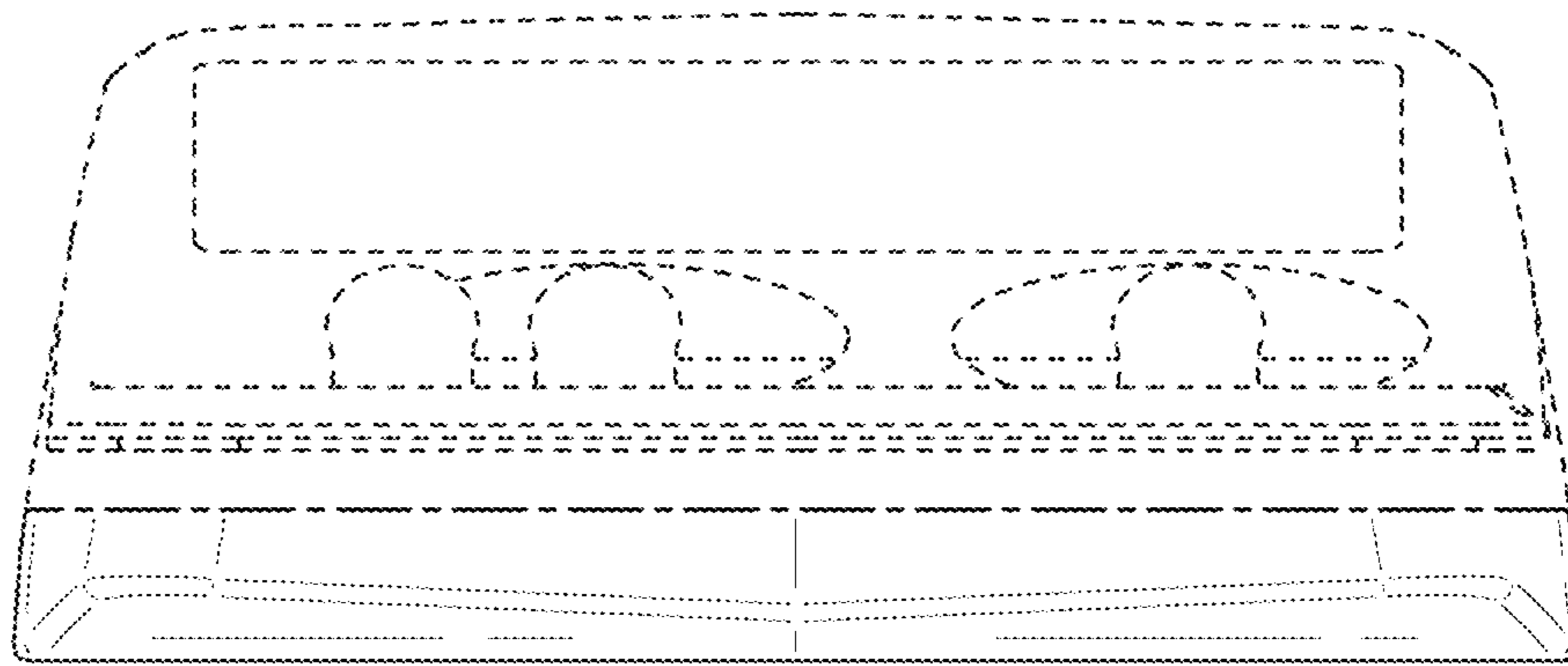


FIG. 6

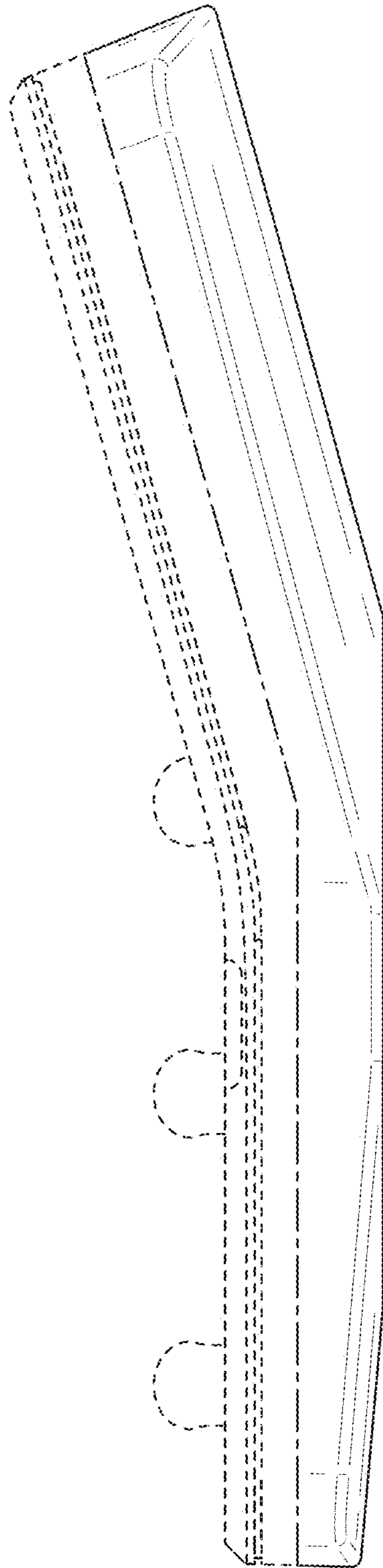


FIG. 7

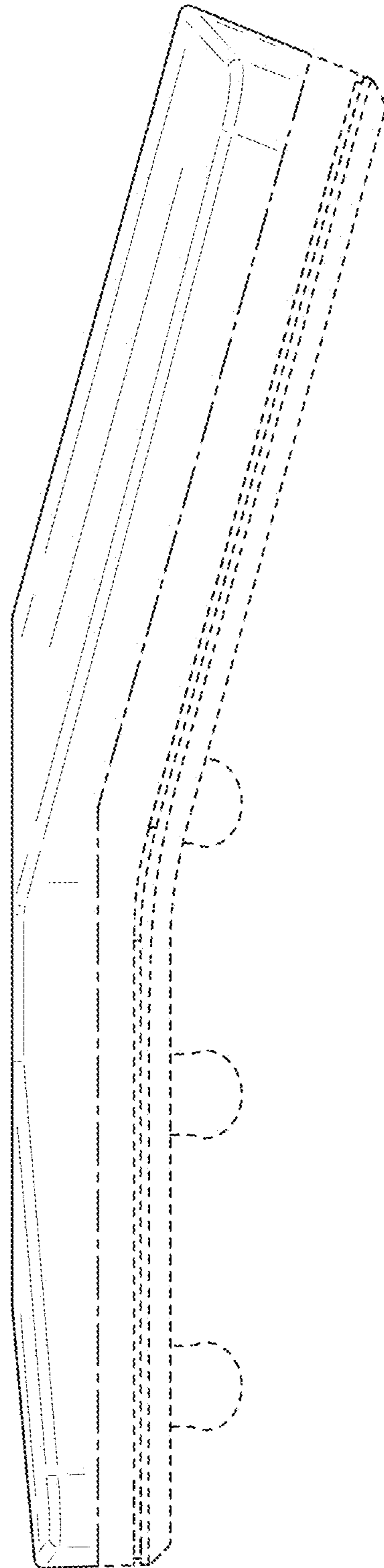


FIG. 8