



US00D781810S

(12) **United States Design Patent** (10) **Patent No.:** **US D781,810 S**
Schwarz et al. (45) **Date of Patent:** **** Mar. 21, 2017**

(54) **TELEPHONE**
(71) Applicant: **Unify GmbH & Co. KG**, Munich (DE)
(72) Inventors: **Dieter Schwarz**, Munich (DE); **Bram Van Krieken**, Munich (DE)
(73) Assignee: **Unify GmbH & Co. KG**, Munich (DE)
(**) Term: **15 Years**

D298,939 S * 12/1988 Morikawa D14/151
D300,926 S * 5/1989 Morikawa D14/151
D307,009 S * 4/1990 Boykiw D14/149
D313,235 S * 12/1990 Kido D14/151
D328,295 S * 7/1992 Gagnon D14/142
D330,028 S * 10/1992 Gagnon D14/144
D332,786 S * 1/1993 Gagnon D14/142
5,187,743 A * 2/1993 Gumb H04M 1/0295
340/815.4

(Continued)

(21) Appl. No.: **29/537,335**
(22) Filed: **Aug. 25, 2015**

OTHER PUBLICATIONS

OpenScape Desk Phone CP400 perspective view low. wiki.unify.com. [online png] 2 pgs. Uploaded Apr. 21, 2016 [retrieved on Aug. 18, 2016] http://wiki.unify.com/wiki/File:OpenScape_Desk_Phone_CP400_perspective_view_low.png.*

(30) **Foreign Application Priority Data**

Feb. 27, 2015 (DE) 40 2015 000 398

(51) **LOC (10) Cl.** **14-03**

(52) **U.S. Cl.**
USPC **D14/151**

(58) **Field of Classification Search**

USPC ... D14/140, 140.1, 140.7, 140.8, 141.2, 142, D14/147, 148, 149, 151, 150, 158, 159, D14/188, 217, 240, 243, 247, 248, 251, D14/299, 329; D21/517; D18/1, 7; D10/104.1; 455/557, 575, 575.1, 575.2, 455/575.3, 575.4, 74.1; 710/303; 379/88.17, 90.01, 93.17, 387.01, 388.02, 379/419-420.04, 428.01-428.04, 379/434-436, 440, 446-447, 454-455, 379/93.23

CPC H04M 1/00; H04M 1/003; H04M 1/02; H04M 1/03; H04M 1/04; H04M 1/0202; H04M 1/0297; H04M 1/20; H04M 1/21; H04M 1/22; H04M 1/23; H04M 1/233; H04M 1/236

See application file for complete search history.

Primary Examiner — Susan Bennett Hattan

Assistant Examiner — Marie Fast Horse

(74) *Attorney, Agent, or Firm* — Buchanan Ingersoll & Rooney PC

(57) **CLAIM**

The ornamental design for a telephone, as shown and described.

DESCRIPTION

FIG. 1 is a perspective view of our telephone; FIG. 2 is a front view thereof; FIG. 3 is a rear view thereof; FIG. 4 is a right side view thereof; FIG. 5 is a left side view thereof; FIG. 6 is a top view thereof; and, FIG. 7 is a bottom view thereof.

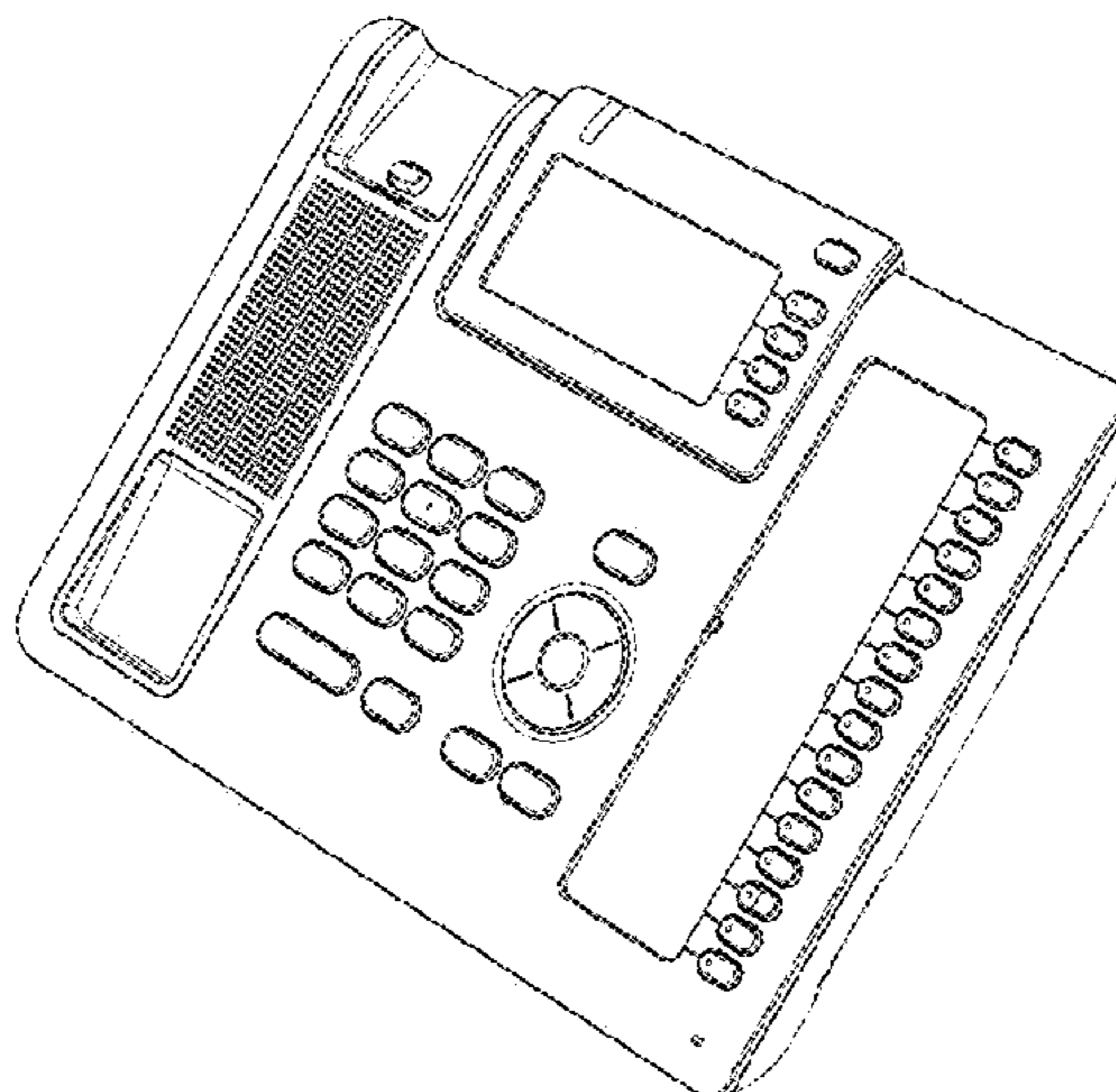
The broken lines in FIG. 3 depict parts of the telephone that form no part of the claim.

(56) **References Cited**

U.S. PATENT DOCUMENTS

D295,514 S * 5/1988 Inaba D14/151
D296,784 S * 7/1988 Yamagishi D14/151

1 Claim, 7 Drawing Sheets



(56)

References Cited

U.S. PATENT DOCUMENTS

D340,715 S *	10/1993	Desbarats	D14/151	D536,328 S *	2/2007	Chou	D14/151
D345,358 S	3/1994	Hillenmayer et al.		D551,203 S *	9/2007	Abe	D14/151
D345,558 S	3/1994	Hillenmayer et al.		D558,181 S *	12/2007	Takada	D14/142
D351,165 S	10/1994	Hillenmayer		D558,730 S *	1/2008	Nakashima	D14/151
D357,915 S	5/1995	Hillenmayer		D562,303 S *	2/2008	Beasley	D14/151
D364,622 S	11/1995	Hillenmayer		D572,701 S *	7/2008	Tani	D14/151
D366,484 S *	1/1996	Levin	D14/151	D575,262 S *	8/2008	Brown	D14/151
D375,095 S	10/1996	Hillenmayer et al.		D575,263 S *	8/2008	Brown	D14/151
D387,056 S *	12/1997	Yoneyama	D14/151	D576,146 S *	9/2008	Brown	D14/151
D412,171 S *	7/1999	Girardi	D14/151	D582,886 S *	12/2008	Woo	D14/151
D455,727 S	4/2002	Hillenmayer		D611,031 S *	3/2010	Lesniak	D14/151
D460,954 S *	7/2002	Shen	D14/151	D664,520 S *	7/2012	Shadovitz	D14/150
D463,390 S *	9/2002	Shen	D14/151	D676,411 S *	2/2013	Taniguchi	D14/151
D470,830 S *	2/2003	Weidinger	D14/151	D694,733 S *	12/2013	Rodriguez	D14/142
D482,342 S *	11/2003	Weidinger	D14/151	D739,373 S *	9/2015	Hillenmayer	D14/144
D499,078 S *	11/2004	Abe	D14/151	2005/0069126 A1 *	3/2005	Xue	H04M 1/12 379/454
D499,079 S *	11/2004	Abe	D14/151	2009/0283655 A1 *	11/2009	Fukuda	F16M 11/10 248/454
D499,712 S *	12/2004	Abe	D14/151	2010/0322410 A1 *	12/2010	Lin	H04M 1/0295 379/428.03
D501,840 S *	2/2005	Pelletier	D14/151				
D529,477 S *	10/2006	Hsu	D14/151				

* cited by examiner

Figure 1

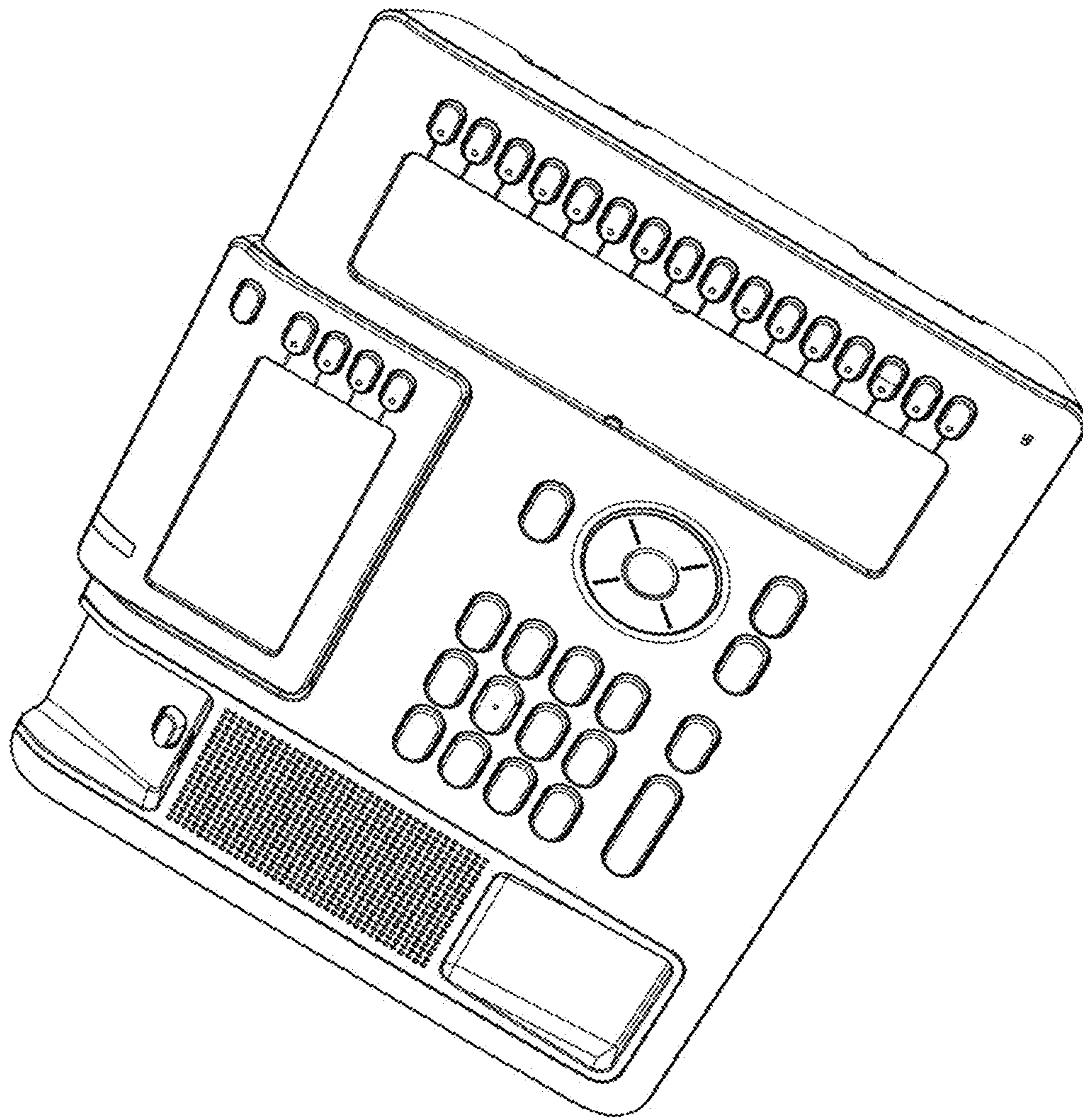


Figure 2

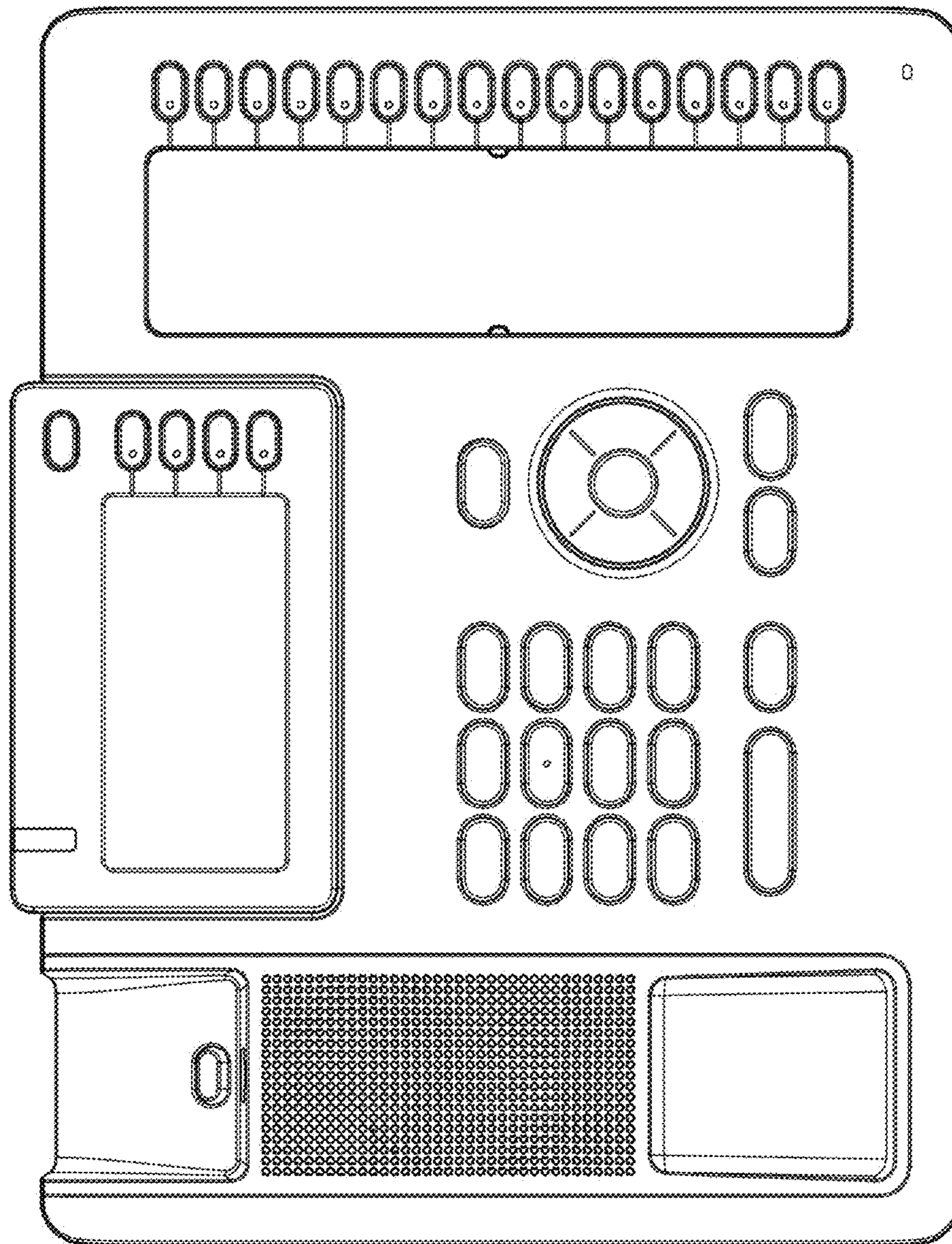


Figure 3

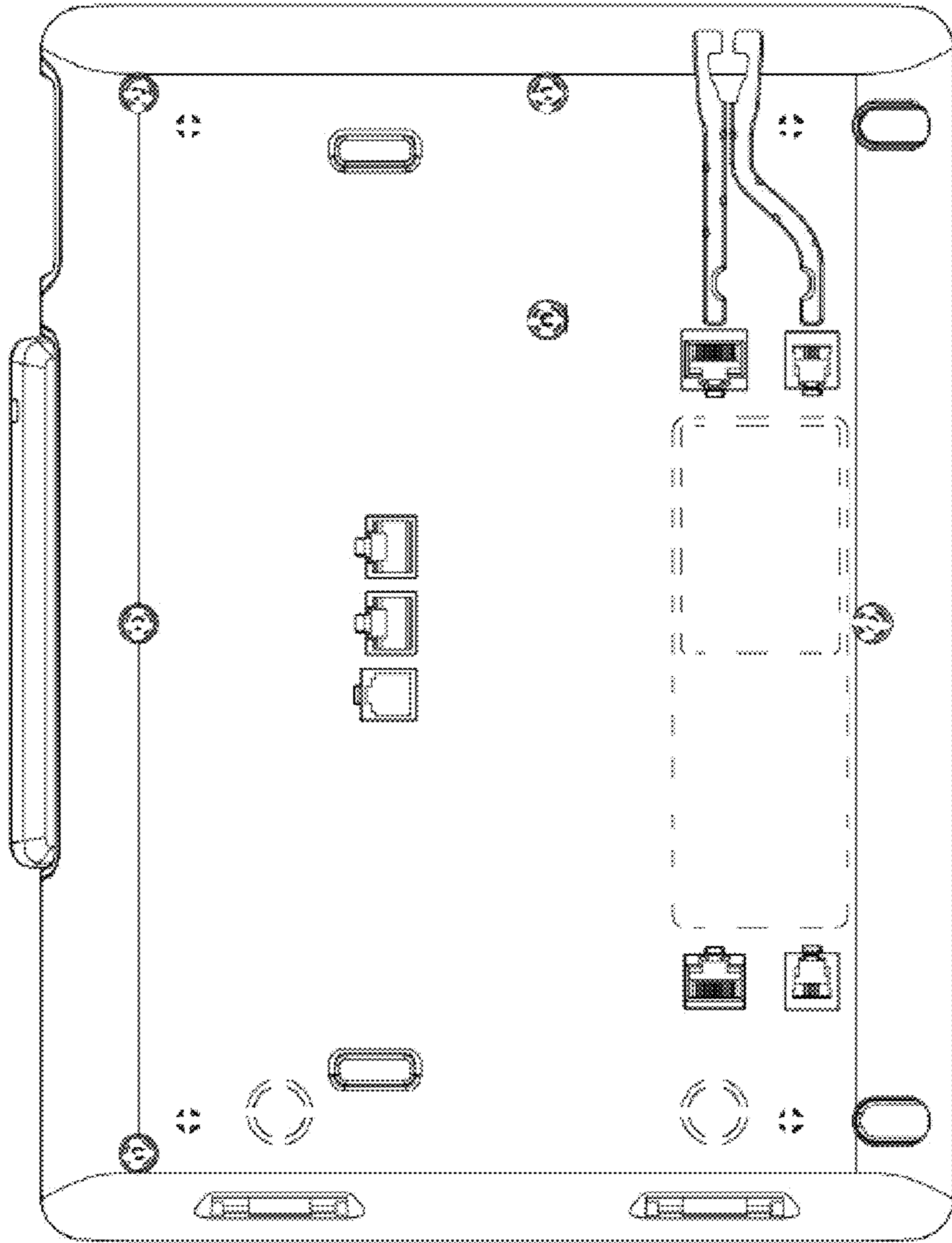


Figure 4

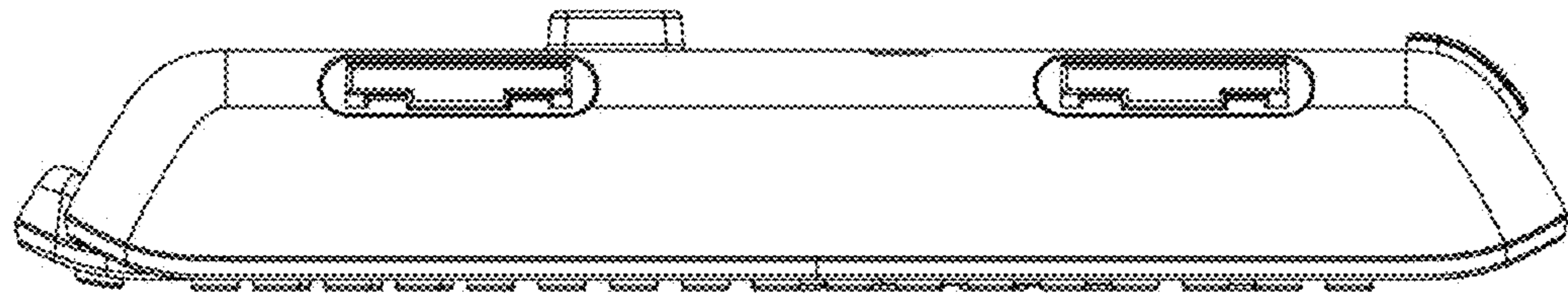


Figure 5

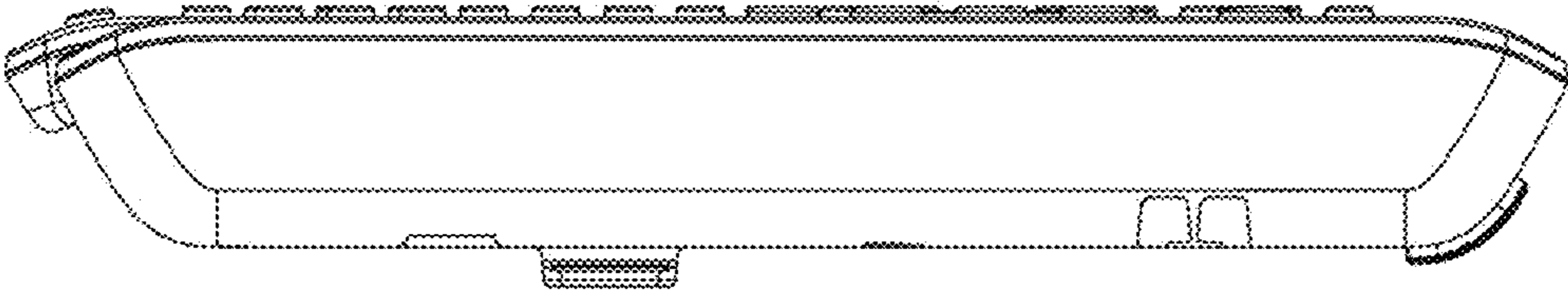


Figure 6

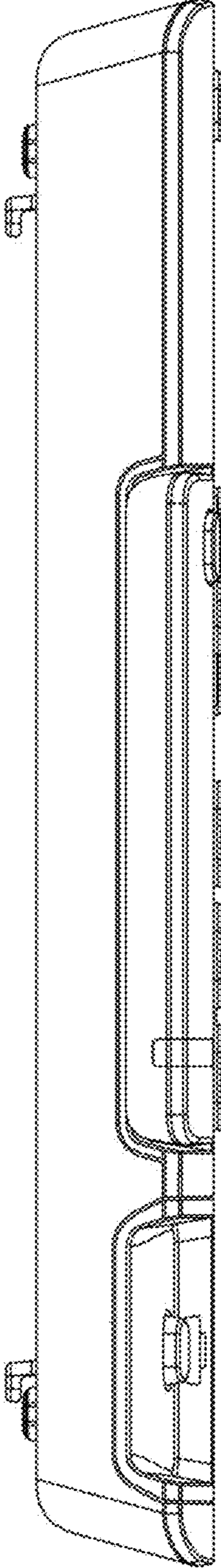


Figure 7

