



US00D781809S

(12) **United States Design Patent** (10) **Patent No.:** **US D781,809 S**  
**Schwarz et al.** (45) **Date of Patent:** **\*\* Mar. 21, 2017**

(54) **TELEPHONE**  
(71) Applicant: **Unify GmbH & Co. KG**, Munich (DE)  
(72) Inventors: **Dieter Schwarz**, Munich (DE); **Bram Van Krieken**, Munich (DE)  
(73) Assignee: **Unify GmbH & Co. KG**, Munich (DE)  
(\*\*) Term: **15 Years**

D308,059 S \* 5/1990 Desbarats ..... D14/149  
D322,612 S \* 12/1991 Abrams ..... D14/142  
D328,296 S \* 7/1992 Yan ..... D14/151  
D330,028 S \* 10/1992 Gagnon ..... D14/144  
D332,786 S \* 1/1993 Gagnon ..... D14/142  
5,187,743 A \* 2/1993 Gumb ..... H04M 1/0295  
340/815.4  
D340,052 S \* 10/1993 Nogas ..... D14/151  
D340,715 S \* 10/1993 Desbarats ..... D14/151

(Continued)

(21) Appl. No.: **29/537,333**

(22) Filed: **Aug. 25, 2015**

(30) **Foreign Application Priority Data**

Feb. 27, 2015 (DE) ..... 40 2015 000 399

(51) **LOC (10) Cl.** ..... **14-03**

(52) **U.S. Cl.**  
USPC ..... **D14/151**

(58) **Field of Classification Search**

USPC ... D14/140, 140.1, 140.7, 140.8, 141.2, 142,  
D14/147, 148, 149, 151, 150, 158, 159,  
D14/188, 217, 240, 243, 247, 248, 251,  
D14/299, 329; D21/517; D18/1, 7;  
D10/104.1; 455/557, 575, 575.1, 575.2,  
455/575.3, 575.4, 74.1; 710/303;  
379/88.17, 90.01, 93.17, 387.01, 388.02,  
379/419-420.04, 428.01-428.04,  
379/434-436, 440, 446-447, 454-455,  
379/93.23

CPC ..... H04M 1/00; H04M 1/003; H04M 1/02;  
H04M 1/03; H04M 1/04; H04M 1/0202;  
H04M 1/0297; H04M 1/20; H04M 1/21;  
H04M 1/22; H04M 1/23; H04M 1/233;  
H04M 1/236

See application file for complete search history.

(56) **References Cited**

**U.S. PATENT DOCUMENTS**

D290,117 S \* 6/1987 Nogami ..... D14/151  
D307,009 S \* 4/1990 Boykiw ..... D14/149

**OTHER PUBLICATIONS**

OpenScape Desk Phone CP200 perspective view low. wiki.unify.com. [online png] 2 pgs. Uploaded Apr. 21, 2016 [retrieved on Aug. 18, 2016] [http://wiki.unify.com/wiki/File:OpenScape\\_Desk\\_Phone\\_CP200\\_perspective\\_view\\_low.png](http://wiki.unify.com/wiki/File:OpenScape_Desk_Phone_CP200_perspective_view_low.png).\*

*Primary Examiner* — Susan Bennett Hattan

*Assistant Examiner* — Marie Fast Horse

(74) *Attorney, Agent, or Firm* — Buchanan Ingersoll & Rooney PC

(57) **CLAIM**

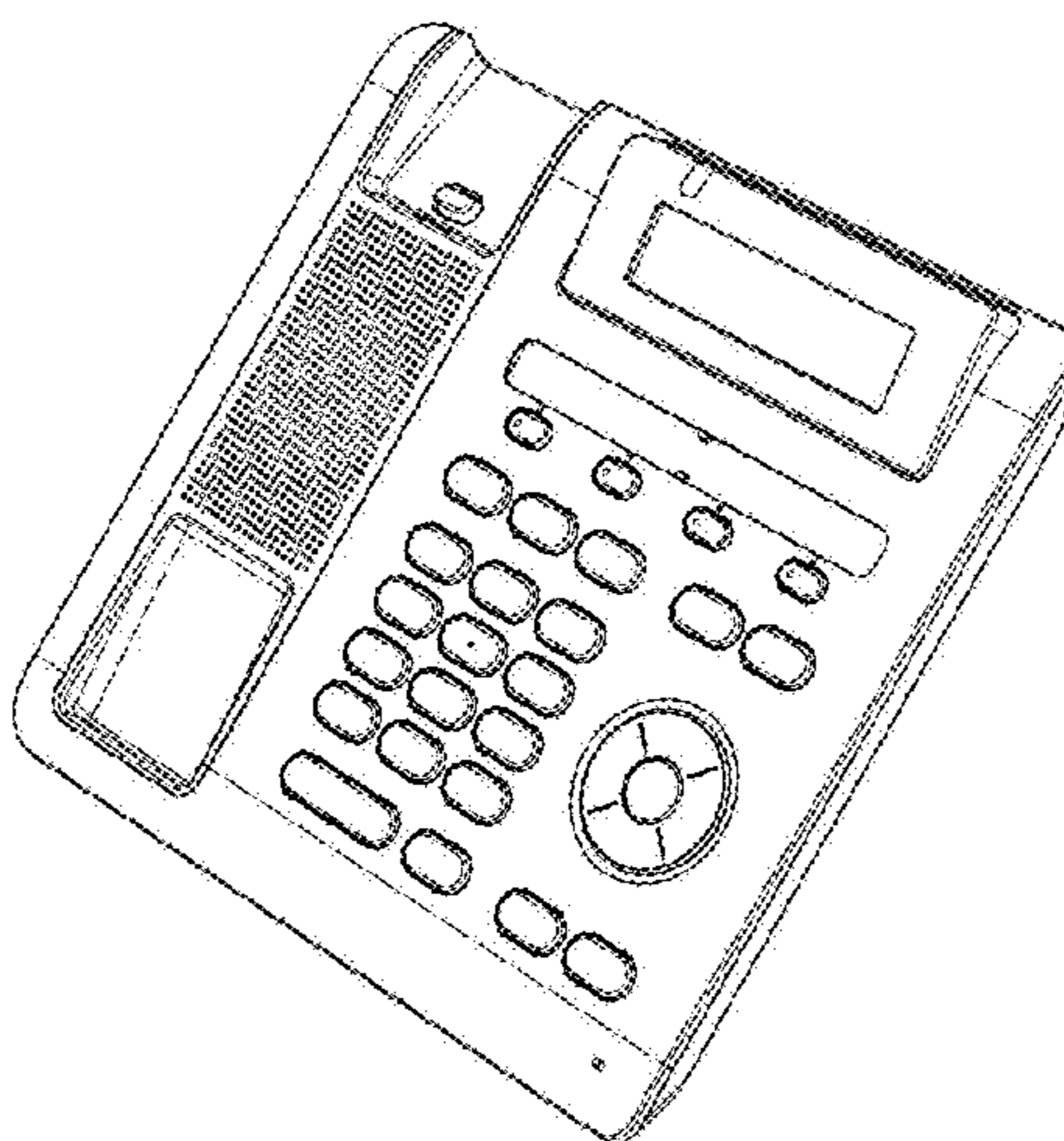
The ornamental design for a telephone, as shown and described.

**DESCRIPTION**

FIG. 1 is a perspective view of our telephone;  
FIG. 2 is a front view thereof;  
FIG. 3 is a rear view thereof;  
FIG. 4 is a left side view thereof;  
FIG. 5 is a right side view thereof;  
FIG. 6 is a top view thereof; and,  
FIG. 7 is a bottom view thereof.

The broken lines in FIG. 3 depict parts of the telephone that form no part of the claim.

**1 Claim, 7 Drawing Sheets**



(56)

References Cited

U.S. PATENT DOCUMENTS

D345,358 S 3/1994 Hillenmayer et al.  
 D345,558 S 3/1994 Hillenmayer et al.  
 D351,165 S 10/1994 Hillenmayer  
 D357,915 S 5/1995 Hillenmayer  
 D363,285 S \* 10/1995 Vessey ..... D14/151  
 D364,622 S 11/1995 Hillenmayer  
 D368,090 S \* 3/1996 Zeitman ..... D14/151  
 D368,091 S \* 3/1996 Yoshihiko ..... D14/151  
 D375,095 S 10/1996 Hillenmayer et al.  
 D387,056 S \* 12/1997 Yoneyama ..... D14/151  
 D389,145 S \* 1/1998 Yoneyama ..... D14/151  
 D405,447 S \* 2/1999 Landry ..... D14/151  
 D427,985 S \* 7/2000 Takayama ..... D14/130  
 D455,727 S 4/2002 Hillenmayer  
 D470,830 S \* 2/2003 Weidinger ..... D14/151  
 D482,342 S \* 11/2003 Weidinger ..... D14/151  
 D490,795 S \* 6/2004 Watanabe ..... D14/151  
 D499,078 S \* 11/2004 Abe ..... D14/151  
 D499,079 S \* 11/2004 Abe ..... D14/151  
 D501,840 S \* 2/2005 Pelletier ..... D14/151  
 D502,163 S \* 2/2005 Pelletier ..... D14/151  
 D513,412 S \* 1/2006 Kodera ..... D14/151  
 D529,477 S \* 10/2006 Hsu ..... D14/151  
 D529,894 S \* 10/2006 Yanagisawa ..... D14/151  
 D530,303 S \* 10/2006 Tang ..... D14/151  
 D530,701 S \* 10/2006 West ..... D14/151  
 D536,328 S \* 2/2007 Chou ..... D14/151  
 D537,065 S \* 2/2007 Chen ..... D14/151

7,216,401 B2 \* 5/2007 Bae ..... G06F 1/1601  
 16/262  
 D550,195 S \* 9/2007 Ju ..... D14/151  
 D552,588 S \* 10/2007 Park ..... D14/151  
 D553,605 S \* 10/2007 Chou ..... D14/151  
 D554,102 S \* 10/2007 Chang ..... D14/151  
 D556,181 S \* 11/2007 Liu ..... D14/151  
 D557,249 S \* 12/2007 Weidinger ..... D14/151  
 D558,729 S \* 1/2008 Daly ..... D14/151  
 D558,730 S \* 1/2008 Nakashima ..... D14/151  
 D562,303 S \* 2/2008 Beasley ..... D14/151  
 D572,701 S \* 7/2008 Tani ..... D14/151  
 D576,998 S \* 9/2008 Furuno ..... D14/151  
 D577,706 S \* 9/2008 Andrews ..... D14/151  
 D588,573 S \* 3/2009 West ..... D14/151  
 D596,612 S \* 7/2009 Akatsu ..... D14/151  
 D597,061 S \* 7/2009 Akatsu ..... D14/151  
 D600,670 S \* 9/2009 Akatsu ..... D14/151  
 D600,671 S \* 9/2009 Akatsu ..... D14/151  
 D608,759 S \* 1/2010 Chun ..... D14/151  
 D609,212 S \* 2/2010 Turnbull ..... D14/151  
 D611,031 S \* 3/2010 Lesniak ..... D14/151  
 D657,772 S \* 4/2012 Shadovitz ..... D14/150  
 D664,520 S \* 7/2012 Shadovitz ..... D14/150  
 D676,411 S \* 2/2013 Taniguchi ..... D14/151  
 D694,733 S \* 12/2013 Rodriguez ..... D14/142  
 D739,373 S \* 9/2015 Hillenmayer ..... D14/144  
 D753,624 S \* 4/2016 Ji ..... D14/151  
 2010/0322410 A1 \* 12/2010 Lin ..... H04M 1/0295  
 379/428.03  
 2013/0108037 A1 \* 5/2013 Chen ..... H04M 1/02  
 379/446

\* cited by examiner

Figure 1

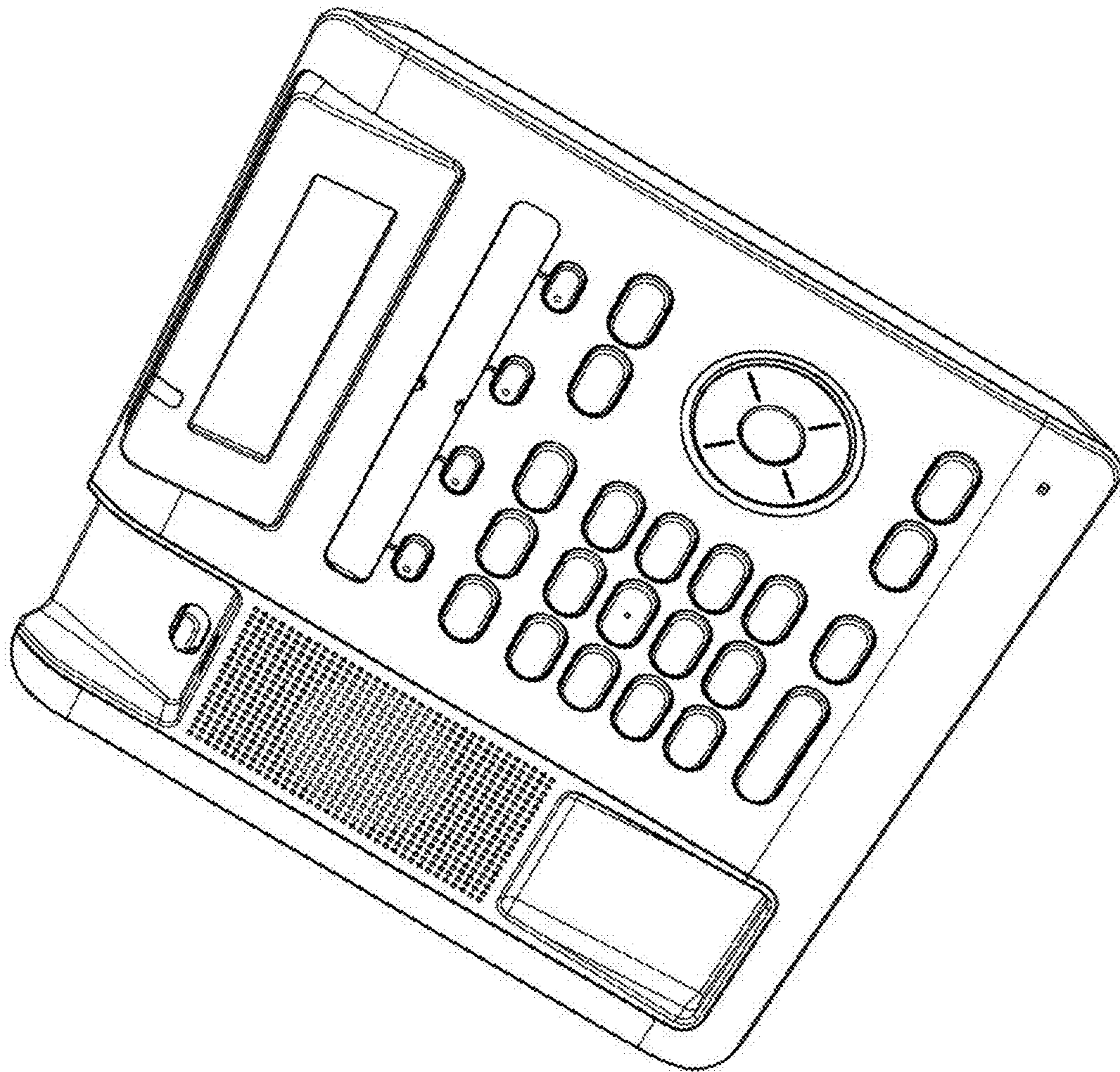


Figure 2

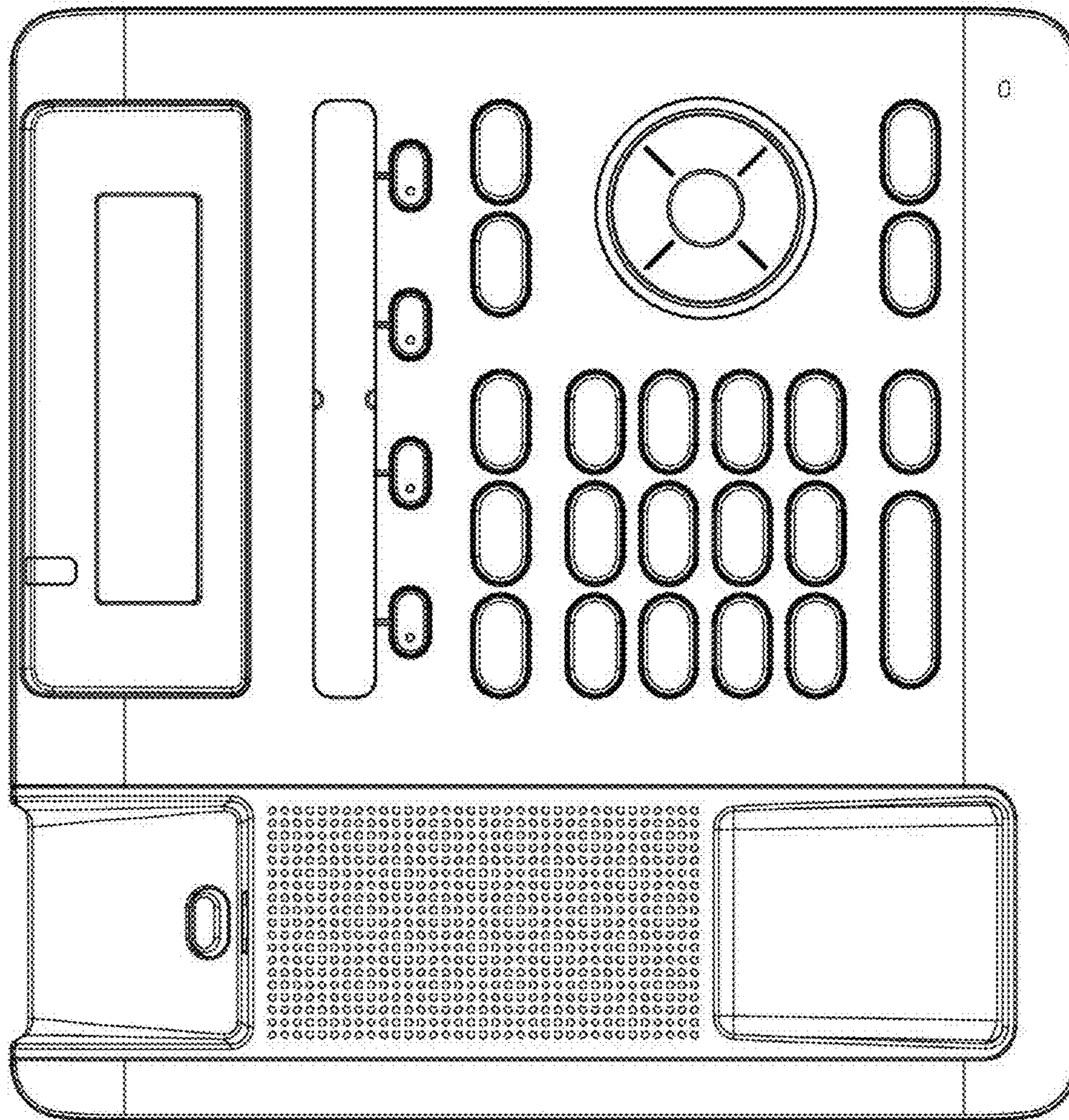


Figure 3

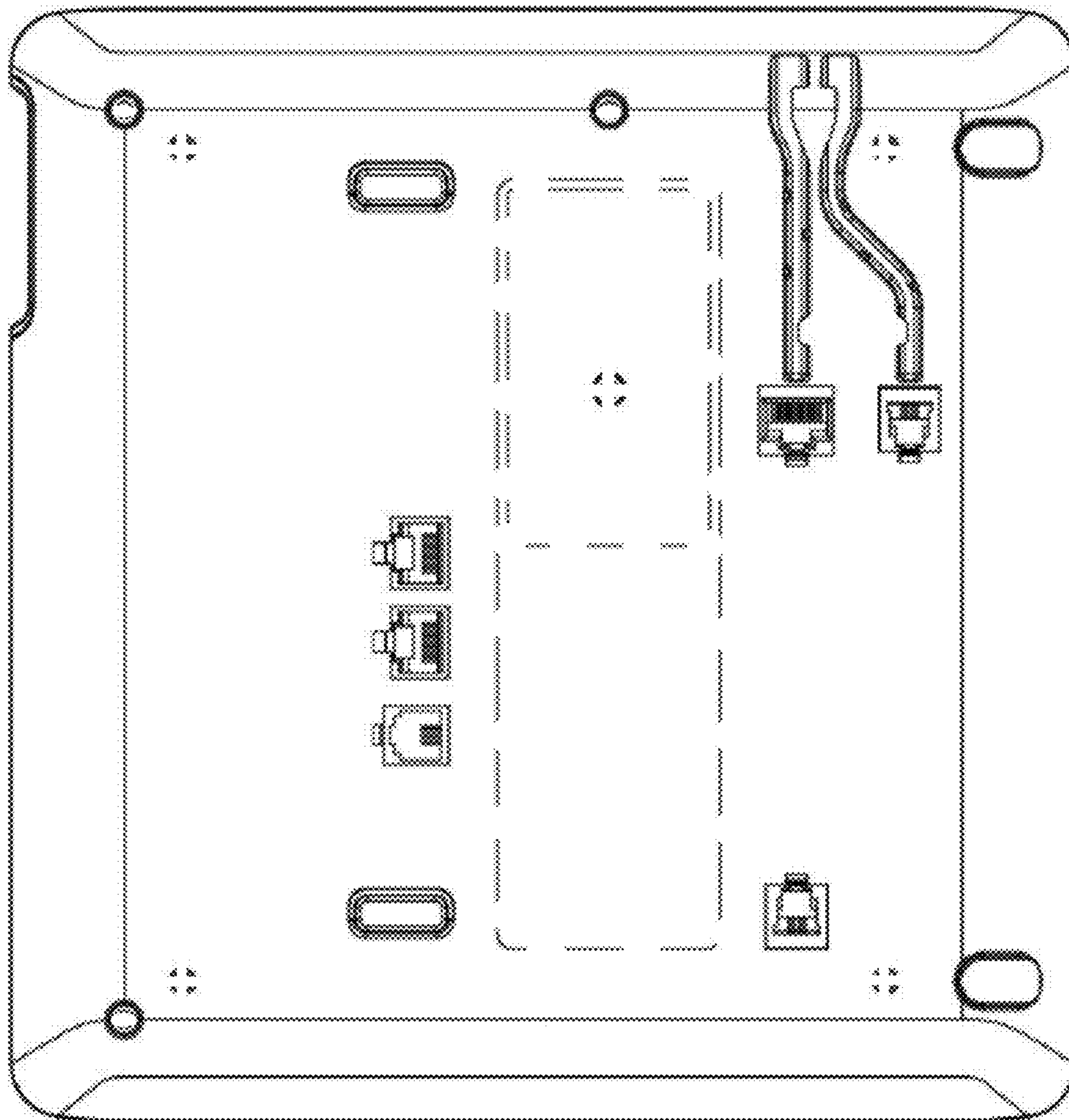


Figure 4

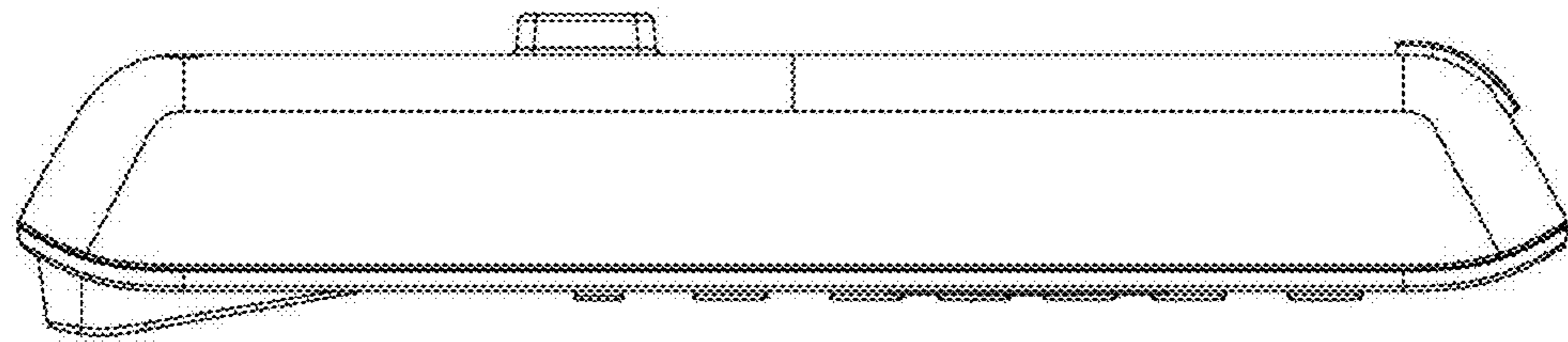


Figure 5

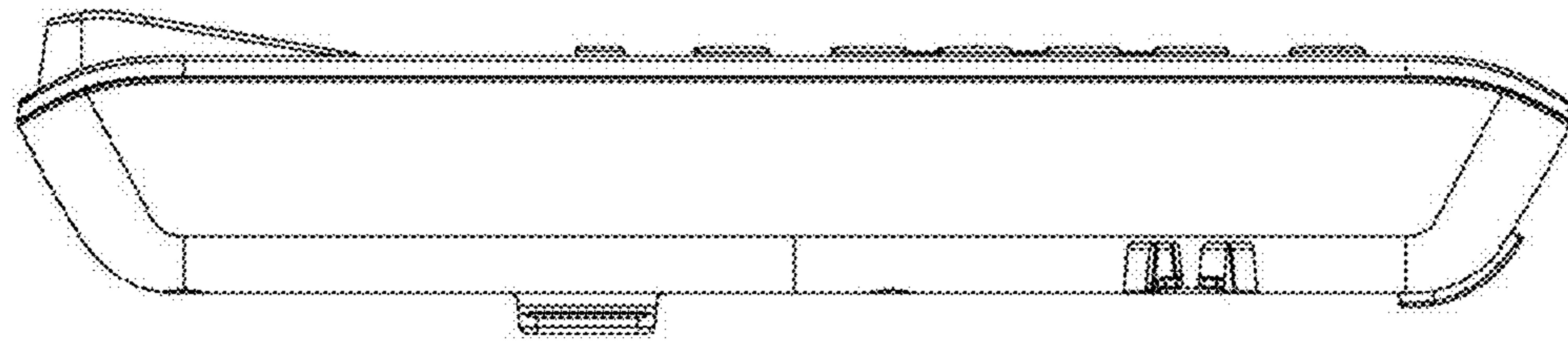


Figure 6

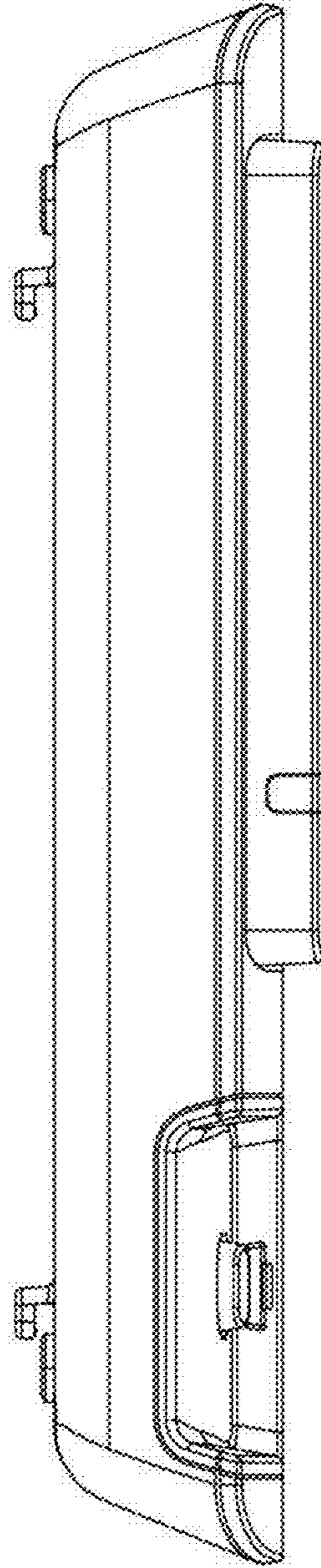




Figure 7

