



US00D781808S

(12) **United States Design Patent**
Pista et al.

(10) **Patent No.: US D781,808 S**

(45) **Date of Patent: ** Mar. 21, 2017**

(54) **COMBINED PHONE AND BASE THEREFOR**

(71) Applicant: **Cisco Technology, Inc.**, San Jose, CA
(US)

(72) Inventors: **Alex Pista**, San Jose, CA (US);
Michael Lenz, Lake Oswego, OR (US);
Paolo Sandro Trevisan, Miami, FL
(US); **Francisco Barboza**, Miami, FL
(US)

(73) Assignee: **Cisco Technology, Inc.**, San Jose, CA
(US)

(**) Term: **15 Years**

(21) Appl. No.: **29/547,023**

(22) Filed: **Nov. 30, 2015**

(51) **LOC (10) Cl.** **14-03**

(52) **U.S. Cl.**
USPC **D14/148**

(58) **Field of Classification Search**
USPC D14/140, 140.1, 140.3, 142, 144, 147,
D14/148, 149, 188, 217, 240, 243, 247,
D14/248, 251, 252, 253, 299, 329, 138 G,
D14/138 AA; D21/517; D13/107, 108,
D13/162; 379/21, 325, 328, 330, 369,
379/370, 426, 449, 450, 455, 210.02;
710/303, 304
CPC H04M 1/00; H04M 1/003; H04M 1/02;
H04M 1/03; H04M 1/04; H04M 1/0202;
H04M 1/0264; H04M 1/0297
See application file for complete search history.

(56) **References Cited**

U.S. PATENT DOCUMENTS

4,178,488 A * 12/1979 Nishihata H04M 1/62
379/420.02
D278,531 S * 4/1985 McGarvey 379/436

D281,242 S * 11/1985 Hova D14/148
D283,707 S * 5/1986 Goodin D14/138 R
D287,124 S * 12/1986 Becker D14/148

(Continued)

OTHER PUBLICATIONS

Un téléphone DECT design par Alessi. geekandhype.com. (online)
4 pgs. Posted 2009 [retrieved on Oct. 26, 2016] <http://www.geekandhype.com/un-telephone-dect-design-par-alessi-2801/>.*

(Continued)

Primary Examiner — Susan Bennett Hattan
Assistant Examiner — Marie Fast Horse
(74) *Attorney, Agent, or Firm* — Polsinelli LLP

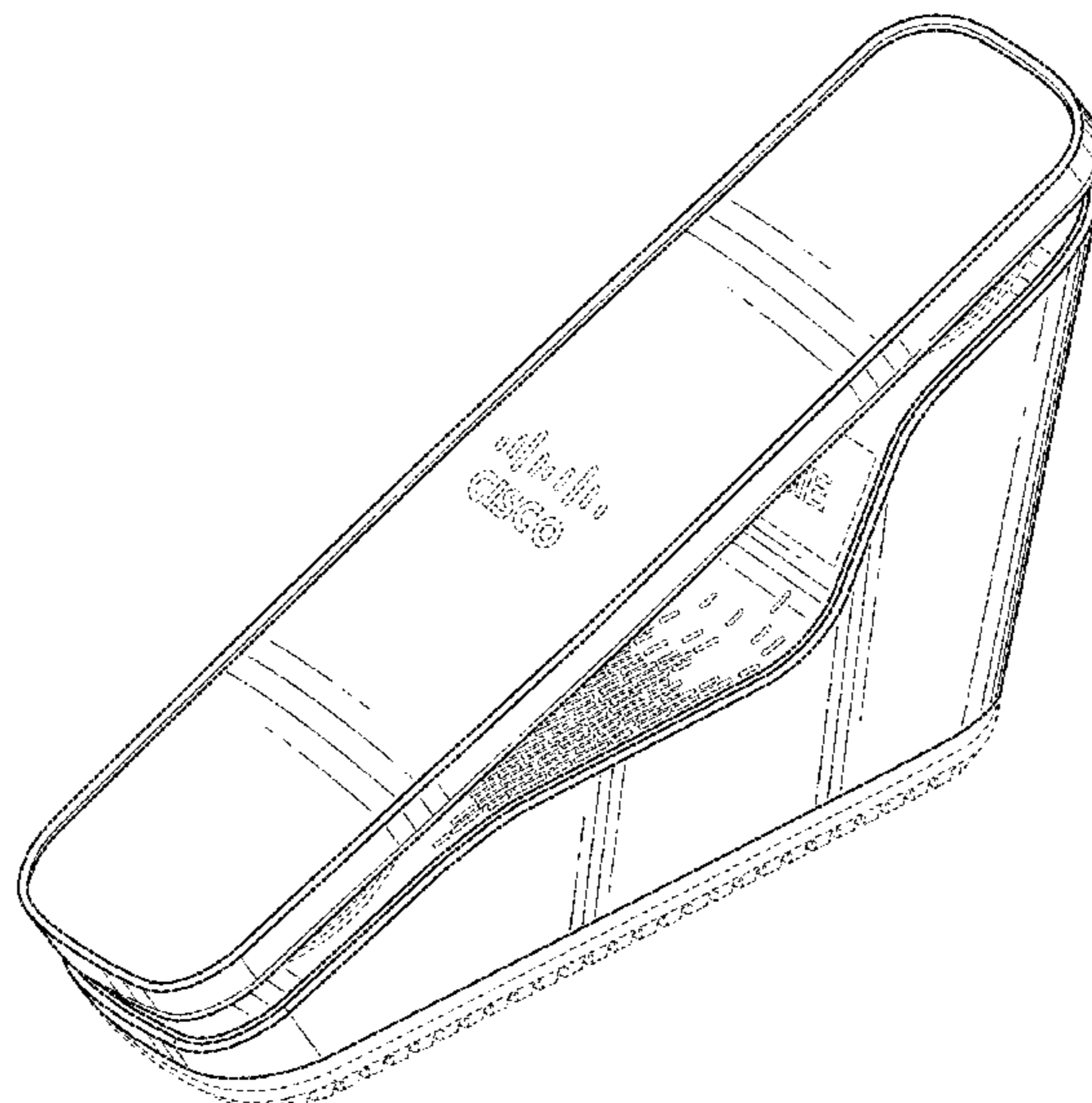
(57) **CLAIM**

We claim the ornamental design for a combined phone and base therefor, as shown and described.

DESCRIPTION

FIG. 1 is a perspective view of a combined phone and base therefor, showing our new design;
FIG. 2 is a front elevational view thereof;
FIG. 3 is a rear elevational view thereof; and
FIG. 4 is a left side elevational view thereof;
FIG. 5 is a right side elevational view thereof.
FIG. 6 is a top plan view thereof;
FIG. 7 is a bottom plan view thereof;
FIG. 8 is a partially exploded, front-left perspective view thereof, the phone and the base shown separated for clarity of disclosure; and,
FIG. 9 is a partially exploded, front-right perspective view thereof, the phone and the base shown separated for clarity of disclosure.
The broken lines in the drawings depict parts of combined phone and base therefor that form no part of the claimed design.

1 Claim, 9 Drawing Sheets



(56)

References Cited

U.S. PATENT DOCUMENTS

D287,493 S * 12/1986 Young D14/148
D287,586 S * 1/1987 Tanaka D14/138 R
D289,393 S * 4/1987 Lindahl D14/148
D291,305 S * 8/1987 Harrison D14/148
D293,237 S * 12/1987 Brown D14/148
D293,238 S * 12/1987 Elie D14/147
D295,624 S * 5/1988 Lopez Garcia D14/248
D296,693 S * 7/1988 Davidson D14/149
D297,009 S * 8/1988 Grambush D14/138 R
D297,732 S * 9/1988 Chan D14/149
D298,240 S * 10/1988 Chang D14/148
D305,120 S * 12/1989 Gariano D14/142
D326,449 S * 5/1992 Wachob D14/138 R
D331,759 S * 12/1992 Renard D14/151
D342,261 S * 12/1993 Grewe D14/248
D361,330 S * 8/1995 Solomita D14/148
D385,263 S * 10/1997 Taylor D14/407
D385,541 S * 10/1997 Taylor D13/168
D391,254 S * 2/1998 Rosati D14/148
D392,637 S * 3/1998 Rosati D14/148
D437,589 S * 2/2001 Zeitman D14/148
D627,328 S * 11/2010 Harden D14/147
D633,893 S * 3/2011 Harden D14/147
D634,726 S * 3/2011 Harden D14/147
D650,767 S * 12/2011 Lu D14/148
D751,525 S * 3/2016 Lewis D14/148
D758,984 S * 6/2016 Maxwell D14/130

OTHER PUBLICATIONS

Cordless telephones. (Design -©Questel). orbit.com [online PDF] 2 pages, Print Date Apr. 15, 2009 [retrieved on Oct. 26, 2016] <https://sobjprd.questel.fr/export/QPTUJ214/pdf2/2344c2c9-308b-4853-b748-befd694396b2-184651.pdf>.*

* cited by examiner

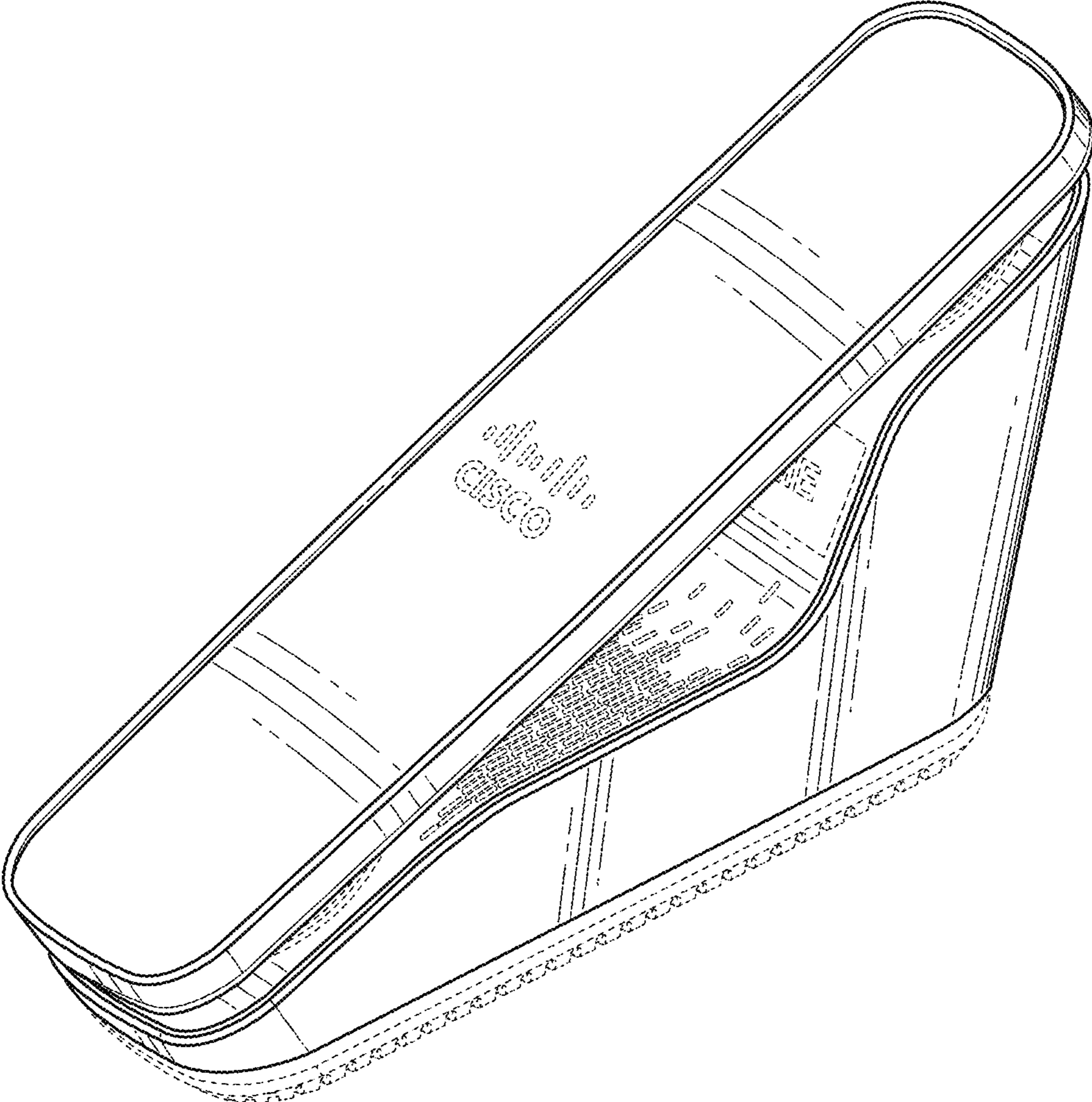


FIG. 1

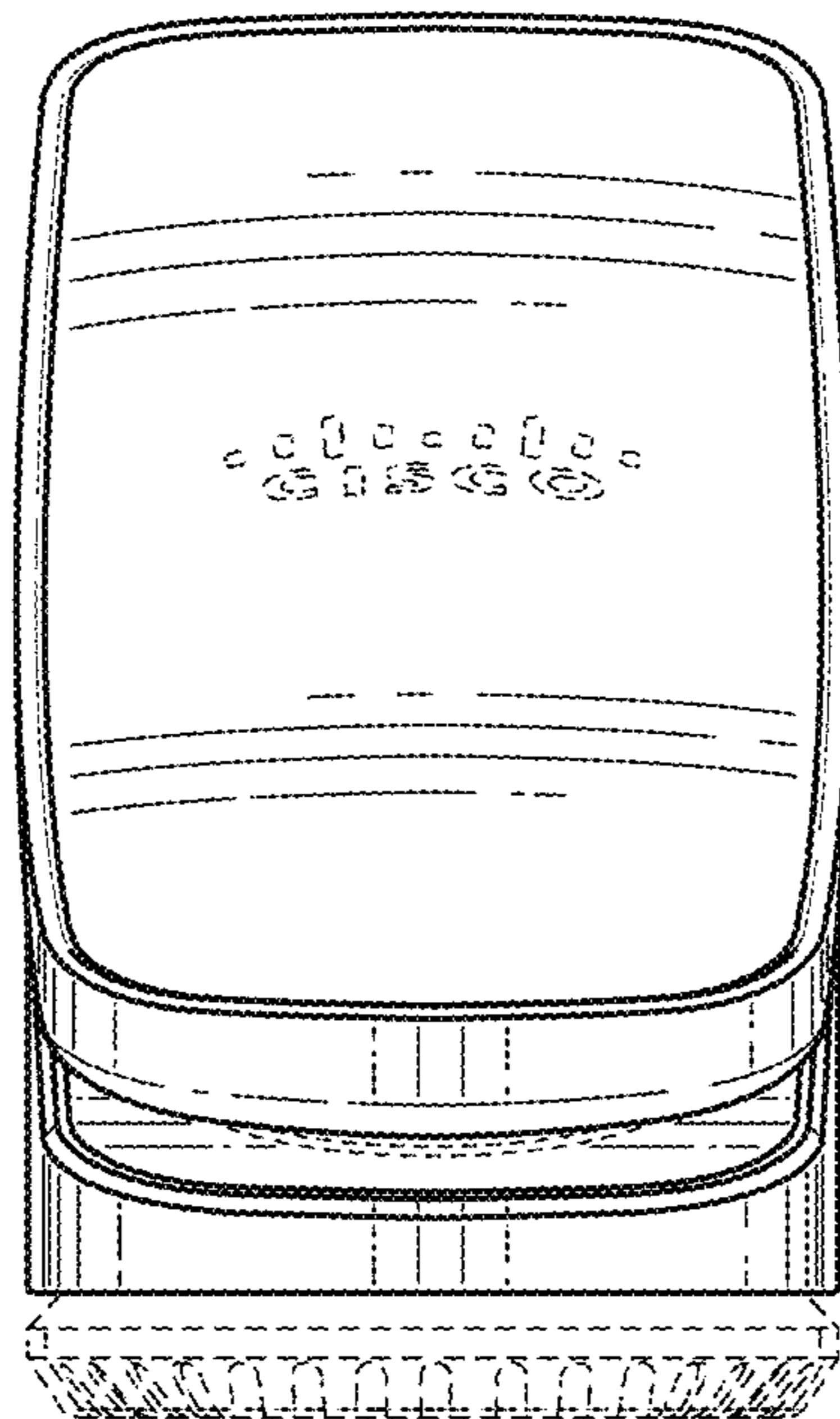


FIG. 2

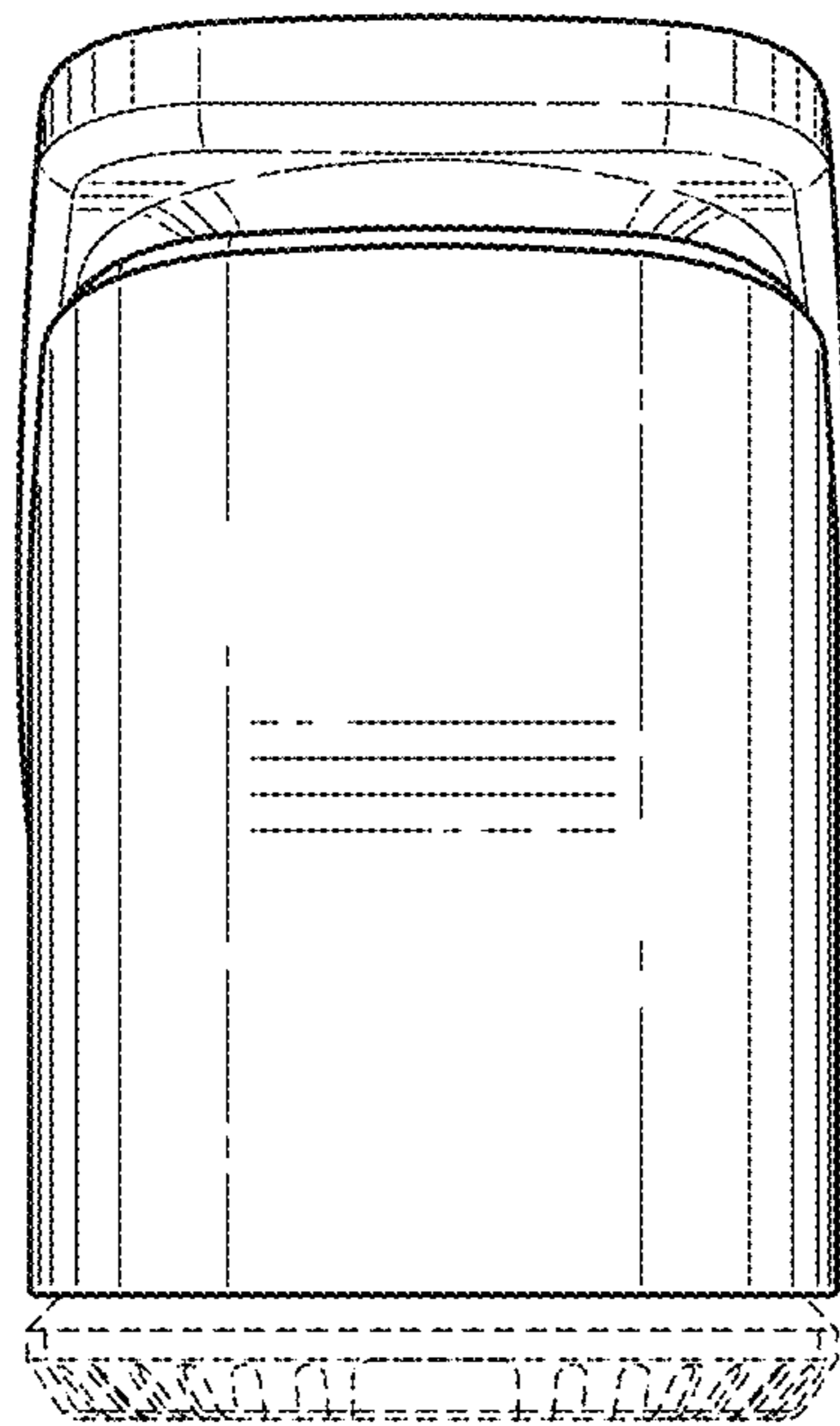


FIG. 3

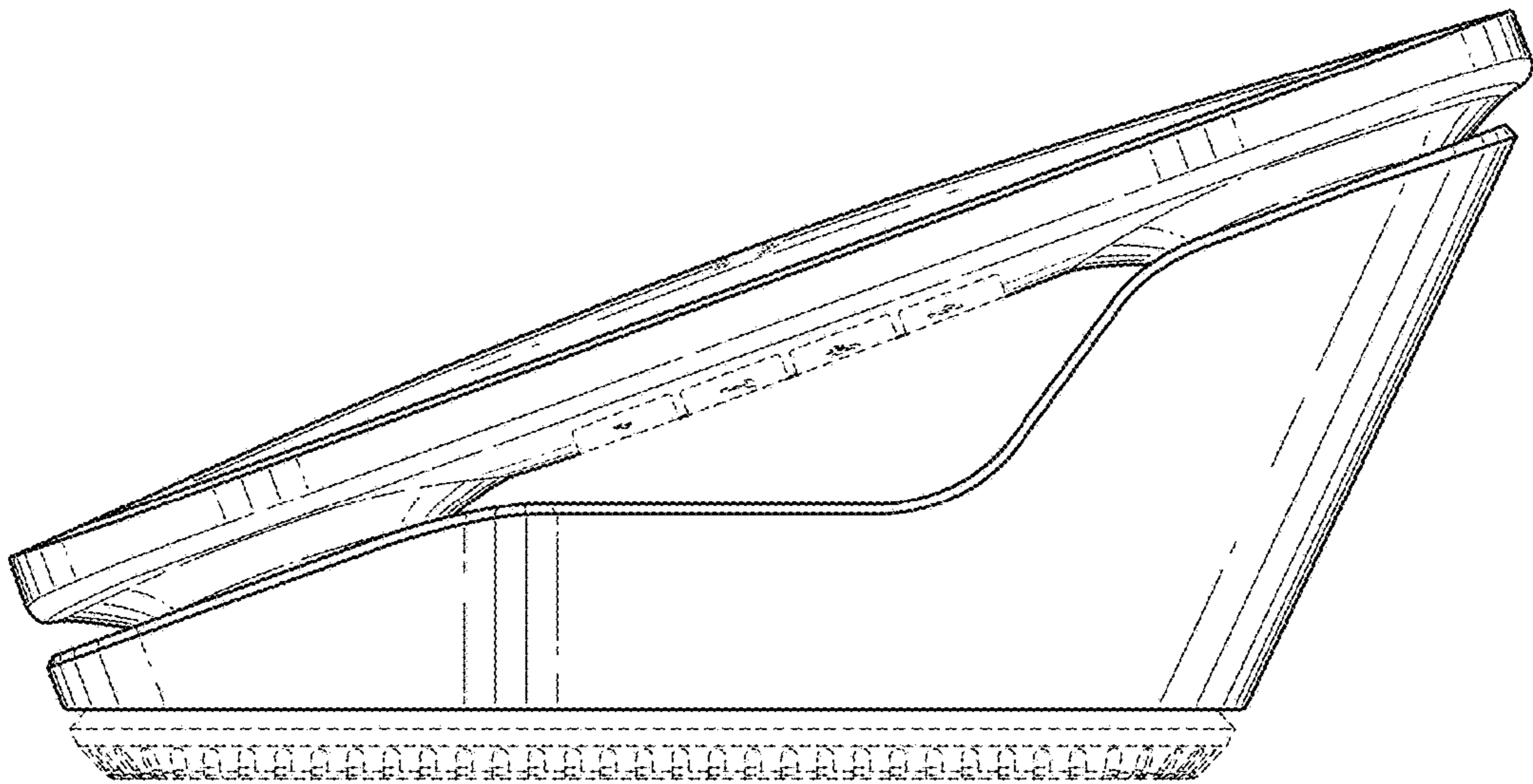


FIG. 4

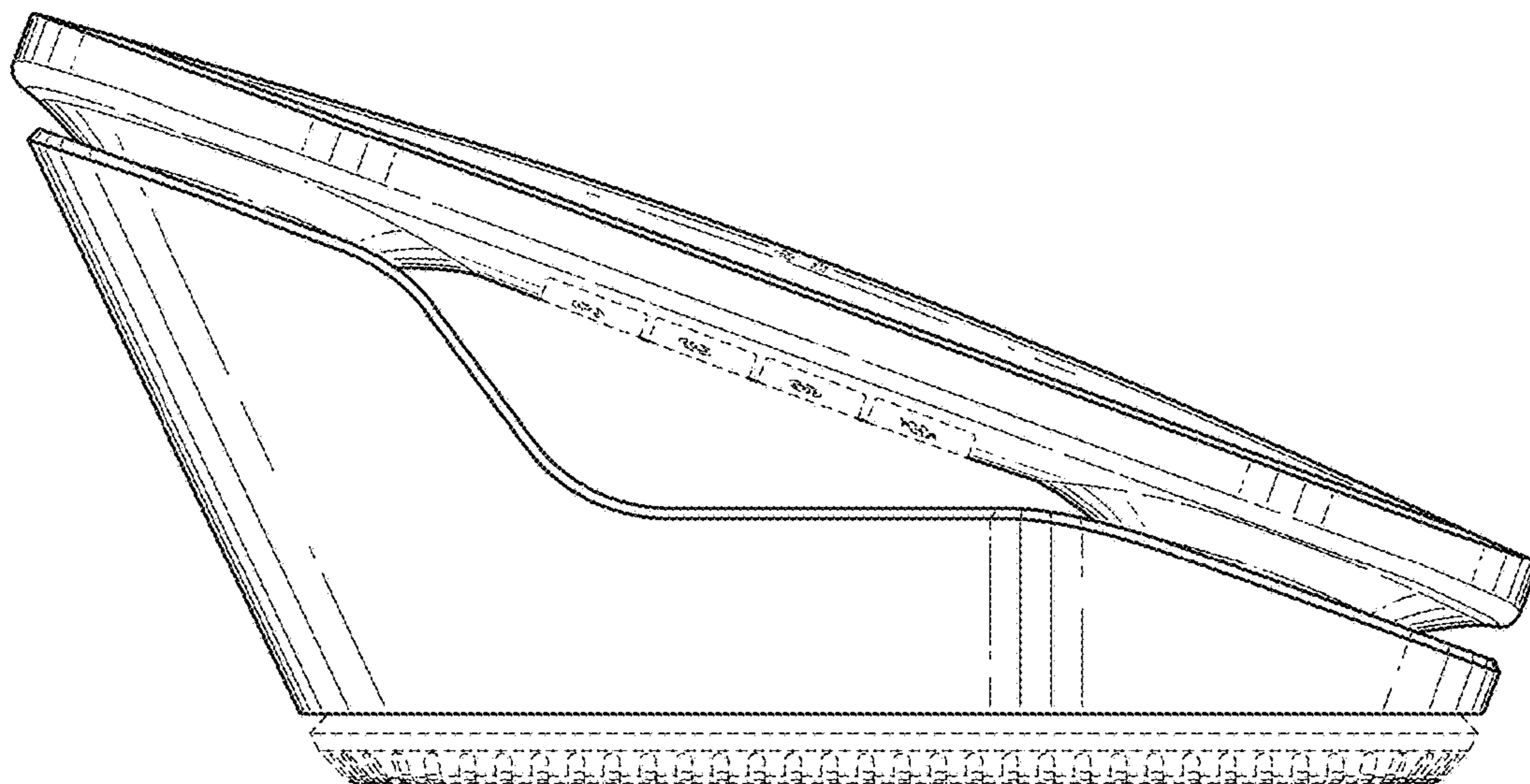


FIG. 5

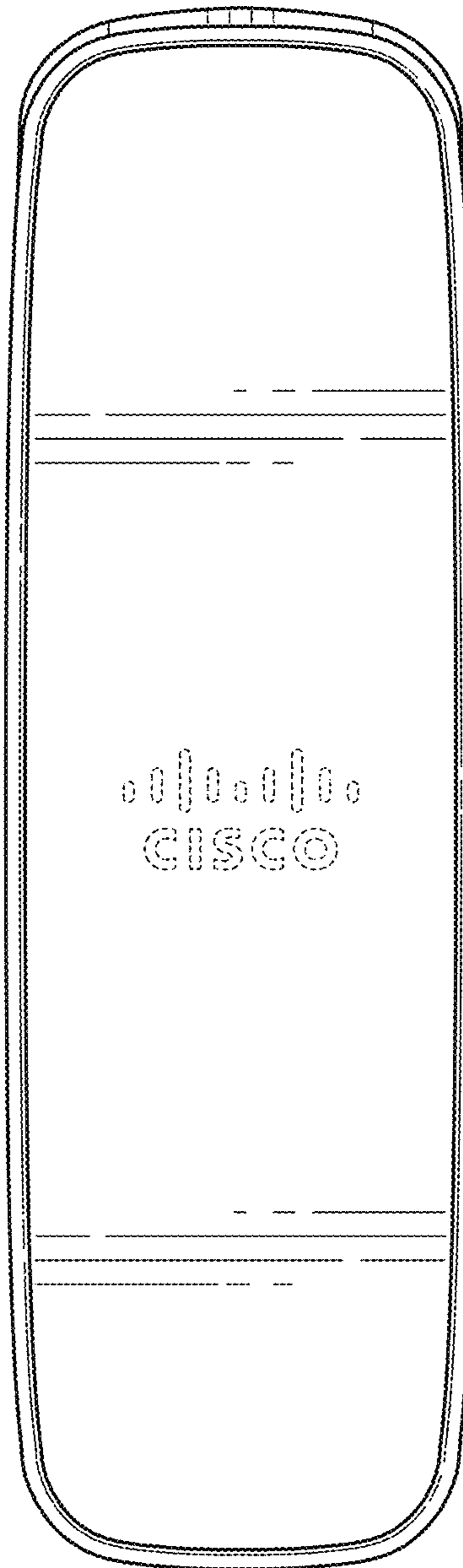


FIG. 6

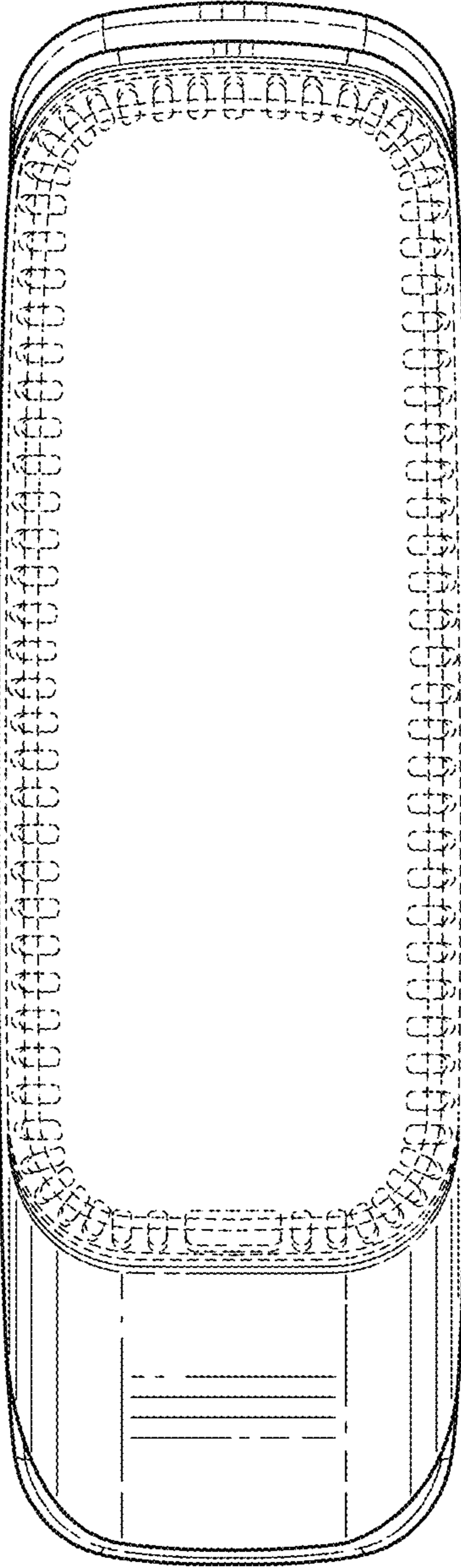


FIG. 7

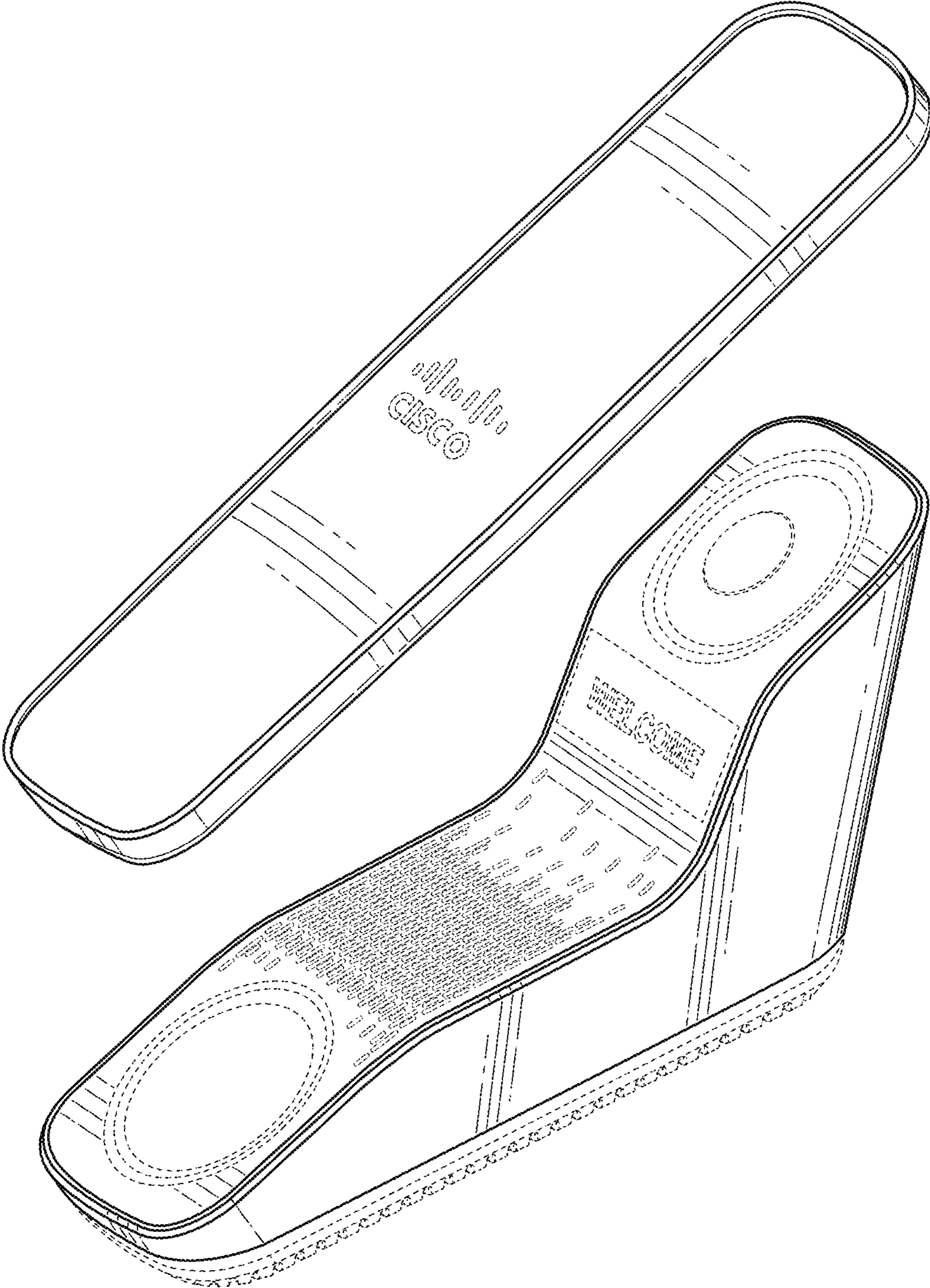


FIG. 8

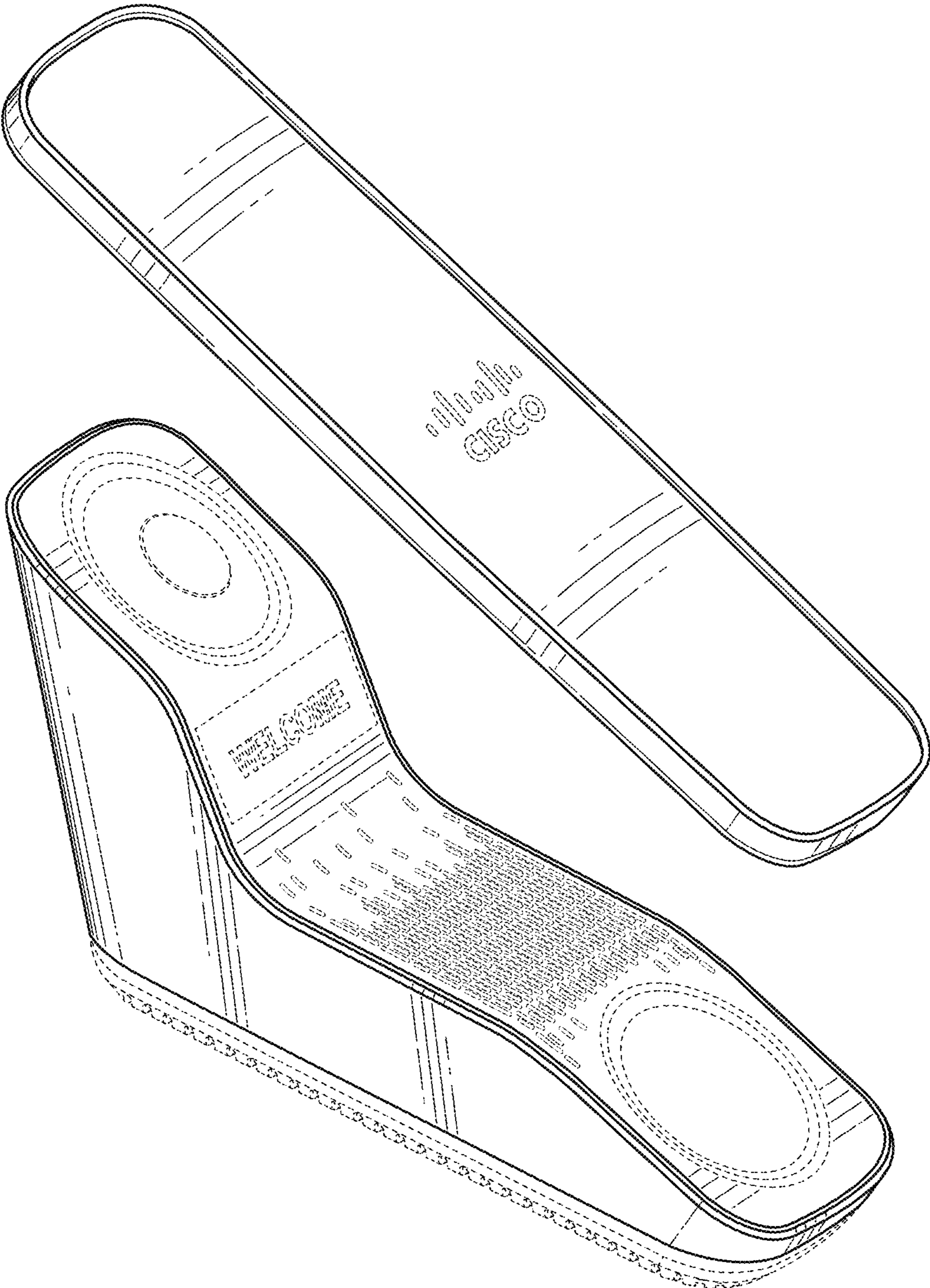


FIG. 9