



US00D781807S

(12) **United States Design Patent**
Hubbard et al.

(10) **Patent No.:** **US D781,807 S**
(45) **Date of Patent:** **** Mar. 21, 2017**

(54) **PORTABLE ELECTRONIC DEVICE**

(71) Applicant: **HTC Corporation**, Taoyuan (TW)
(72) Inventors: **Robin Nicholas Hubbard**, San Francisco, CA (US); **Mathias Andreas Hinterman**, San Francisco, CA (US); **Tanatip Arunanondchai**, San Francisco, CA (US); **Kristina Nicole Marrero**, San Francisco, CA (US); **Andrew Chen**, San Francisco, CA (US); **Catherine Sayim Kim**, San Francisco, CA (US); **Daniel Hundt**, San Francisco, CA (US)

(73) Assignee: **HTC Corporation**, Taoyuan (TW)

(**) Term: **15 Years**

(21) Appl. No.: **29/537,516**

(22) Filed: **Aug. 26, 2015**

(51) **LOC (10) Cl.** **14-03**

(52) **U.S. Cl.**
USPC **D14/138**

(58) **Field of Classification Search**
USPC D14/138 C, 138, 138 R, 138 AA, 138 G, D14/138 AD, 203.1, 203.3, 203.5, 203.6,
(Continued)

(56) **References Cited**

U.S. PATENT DOCUMENTS

D646,250 S * 10/2011 Han D14/138 G
D665,766 S * 8/2012 Eguchi D14/138 G
(Continued)

FOREIGN PATENT DOCUMENTS

TW D161014 S 6/2014
TW D166920 S 4/2015
TW D169484 S 8/2015

OTHER PUBLICATIONS

Gsmarena, (phone 5 Pictures, Sep. 2012, GSMarenahttp://www.gsmarena.com/apple_iphone_5-pictures-4910.php.*

(Continued)

Primary Examiner — John Windmuller
Assistant Examiner — Benjamin Weeks
(74) *Attorney, Agent, or Firm* — Birch, Stewart, Kolasch & Birch, LLP

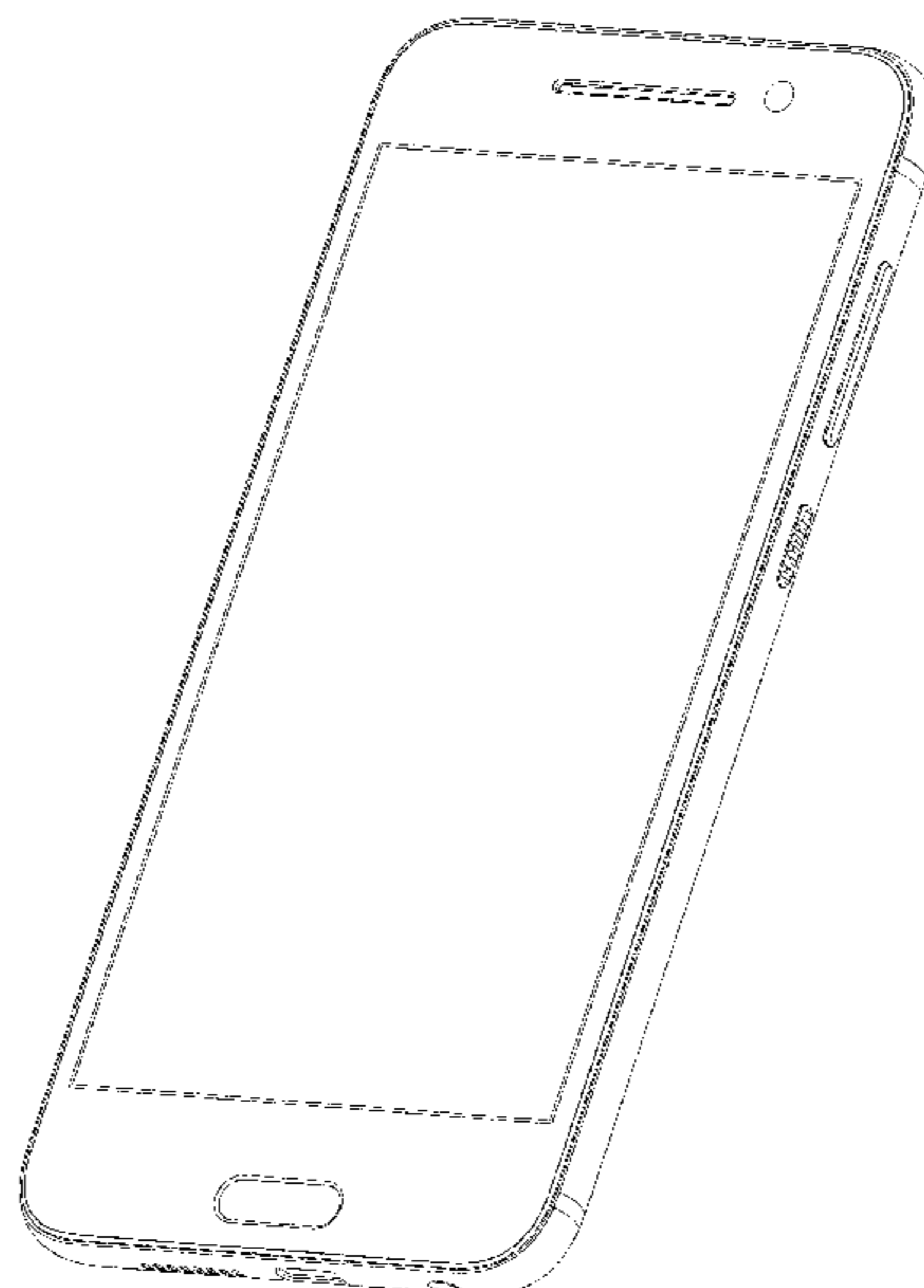
(57) **CLAIM**

The ornamental design for portable electronic device, as shown and described.

DESCRIPTION

FIG. 1 is a front perspective view of a first embodiment of a portable electronic device in accordance with our new design;
FIG. 2 is a front view thereof;
FIG. 3 is a rear view thereof;
FIG. 4 is a left side view thereof;
FIG. 5 is a right side view thereof;
FIG. 6 is a top plan view thereof;
FIG. 7 is a bottom plan view thereof;
FIG. 8 is a rear perspective view thereof;
FIG. 9 is a front perspective view of a second embodiment of a portable electronic device in accordance with our new design;
FIG. 10 is a front view thereof;
FIG. 11 is a rear view thereof;
FIG. 12 is a left side view thereof;
FIG. 13 is a right side view thereof;
FIG. 14 is a top plan view thereof;
FIG. 15 is a bottom plan view thereof; and,
FIG. 16 is a rear perspective view thereof.
The broken lines in the figures form no part of the claimed design.

1 Claim, 14 Drawing Sheets



US D781,807 S

Page 2

(58) **Field of Classification Search**

USPC ... D14/203.7, 218, 248, 250, 315, 341, 342,
D14/343, 344, 345, 346, 347, 420, 426,
D14/496; D13/168
CPC .. G06F 1/1613; G06F 3/04883; G06F 3/0486;
G06F 3/04847; G06F 1/1647; G06F
3/04845; G06F 3/04817; A63H 33/3016;
H04M 1/0279; H04M 1/0281; H04M
1/0283

See application file for complete search history.

D717,263 S * 11/2014 Wozniak D14/138 G
D729,189 S * 5/2015 Kangasmaa D14/138 G
D730,859 S * 6/2015 Kaneta D14/138 G
D730,863 S * 6/2015 Yamagishi D14/138 G
D749,534 S * 2/2016 Liu D14/138 G
D749,538 S * 2/2016 Ishida D14/138 G
D749,551 S * 2/2016 Mitchell D14/248
D750,095 S * 2/2016 Jeong D14/345
D764,431 S * 8/2016 Hibi D14/138 G
D768,102 S * 10/2016 Lee D14/138 G
D770,433 S * 11/2016 Kangasmaa D14/248
D771,002 S * 11/2016 Kangasmaa D14/138 G
D771,004 S * 11/2016 Husgafvel D14/138 G

(56) **References Cited**

U.S. PATENT DOCUMENTS

D672,769 S 12/2012 Andre et al.
D697,890 S * 1/2014 Choe D14/138 G
D703,179 S * 4/2014 Choe D14/138 G
D703,632 S * 4/2014 Lim D14/138 G

OTHER PUBLICATIONS

Gsmarna, Samsung Galaxy Core 2, Jun. 2014, http://www.gsmarena.com/samsung_galaxy_core_ii-6331.php.*

* cited by examiner

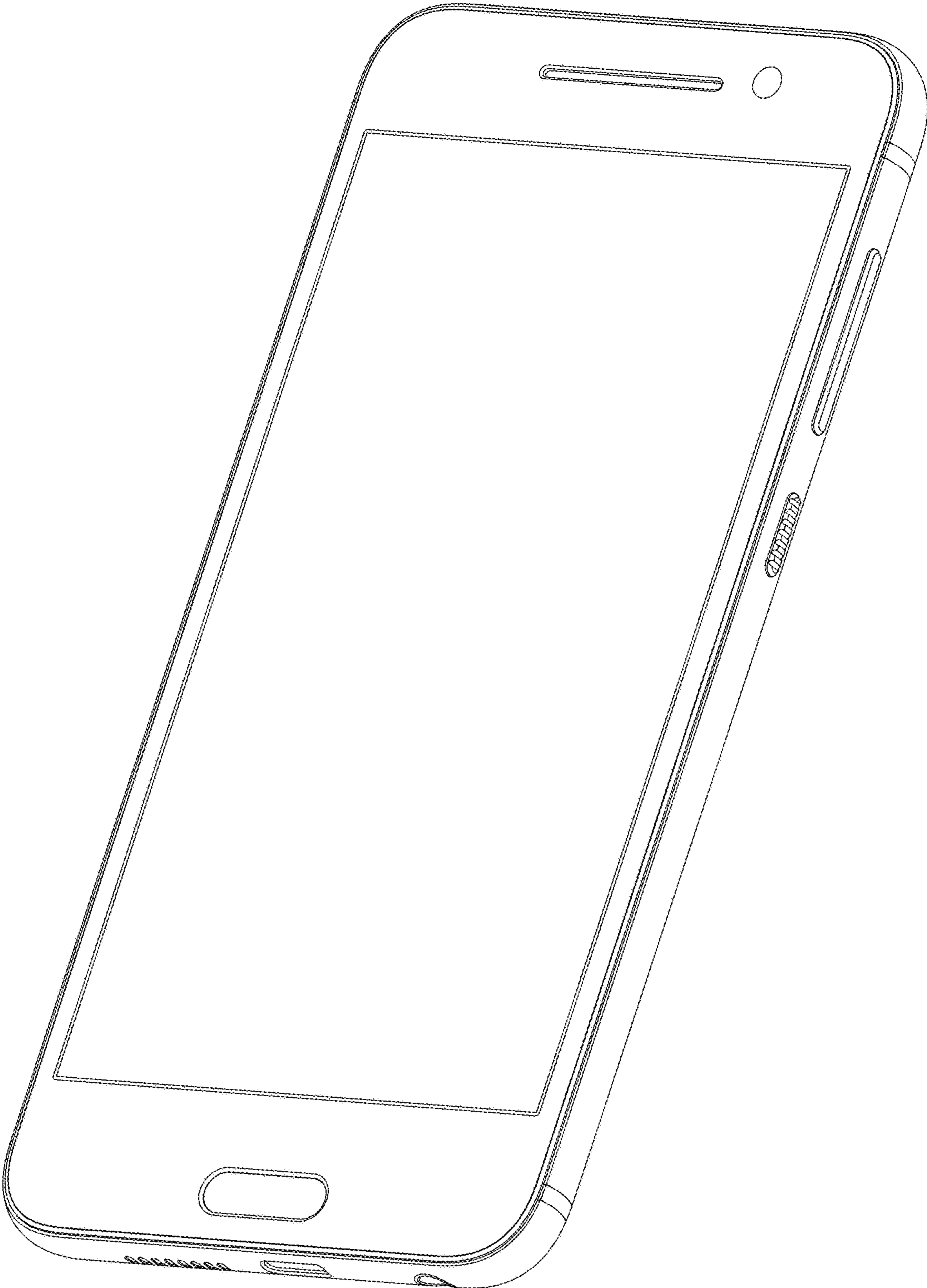


FIG. 1

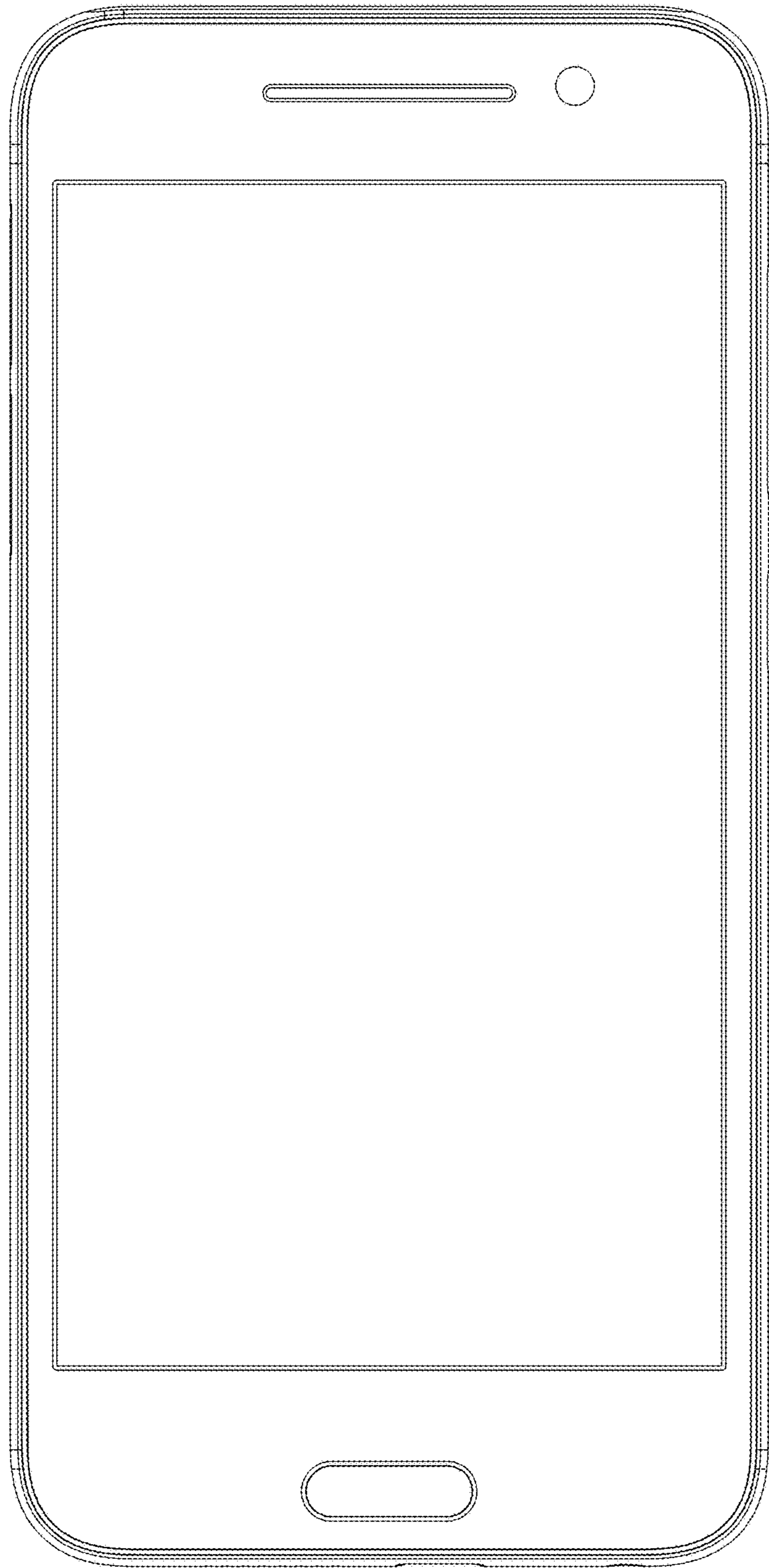


FIG. 2

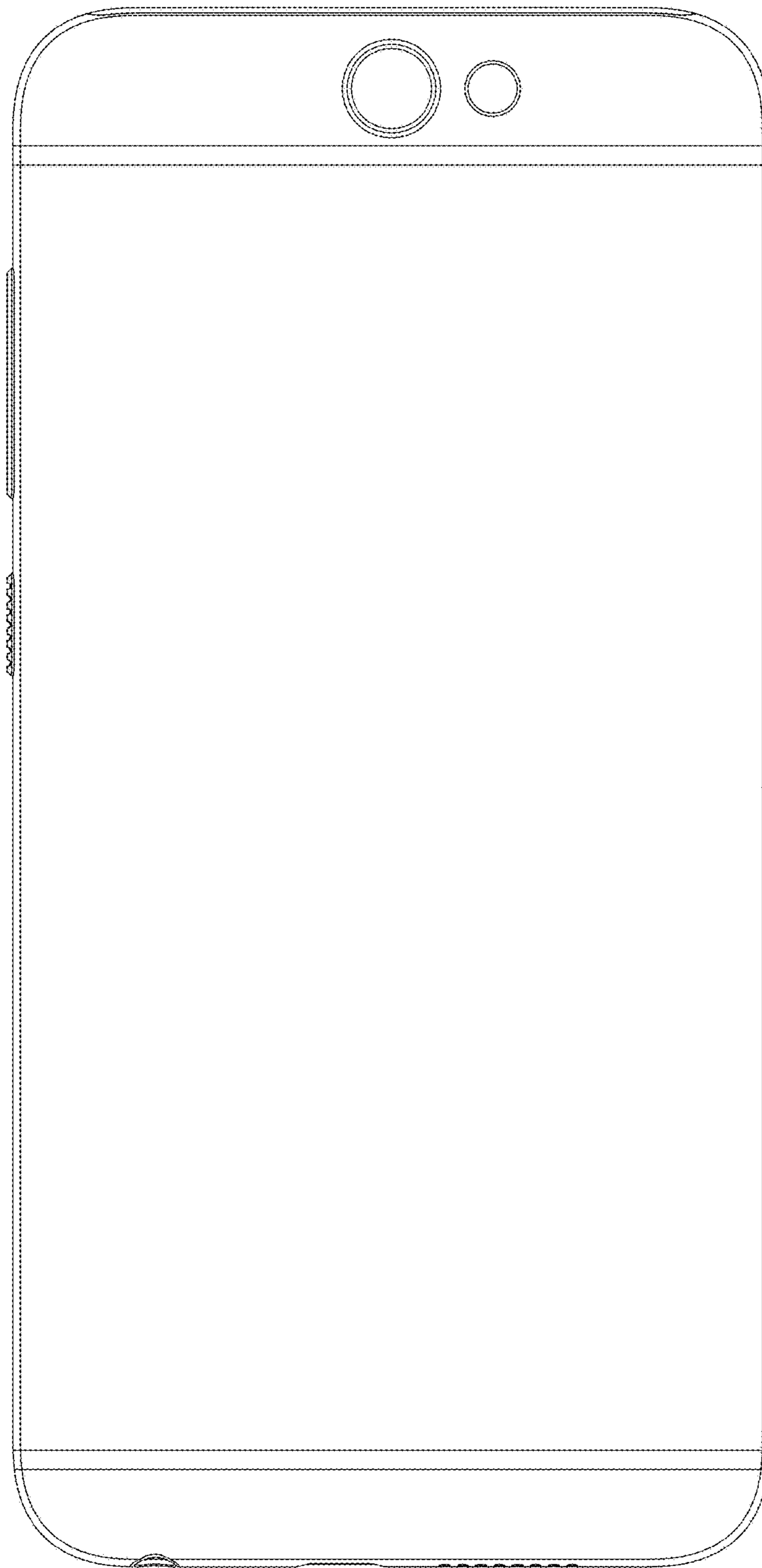


FIG. 3

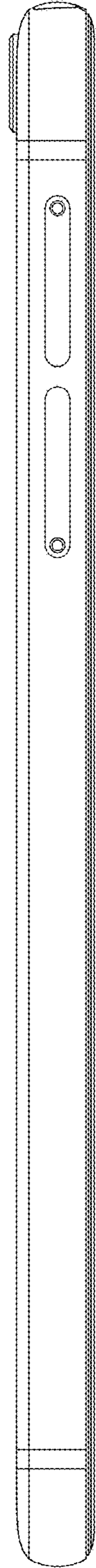


FIG. 4

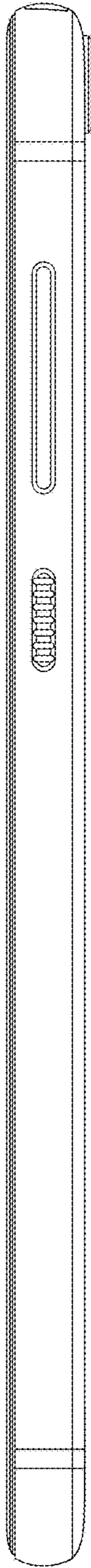


FIG. 5

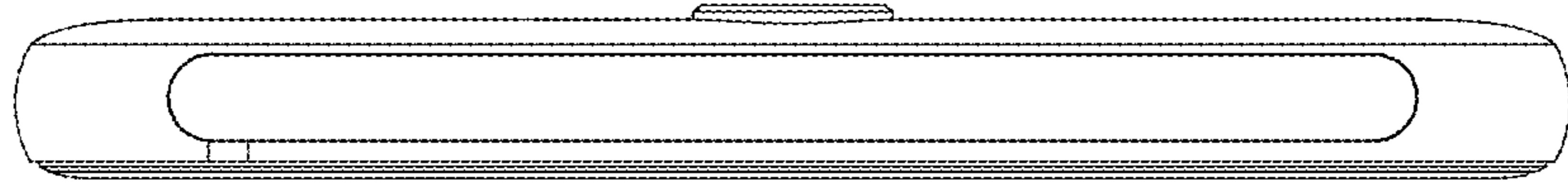


FIG. 6

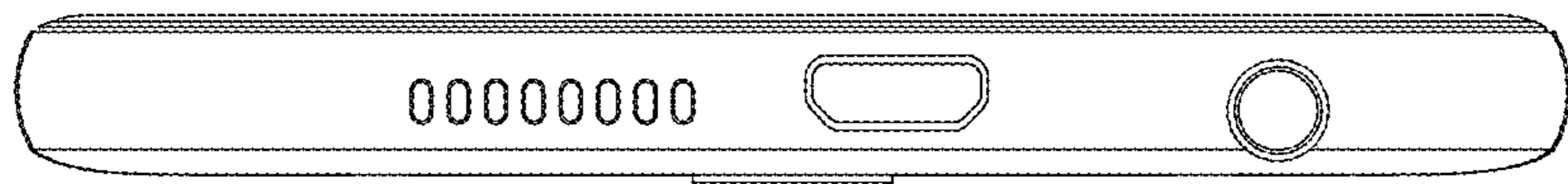


FIG. 7

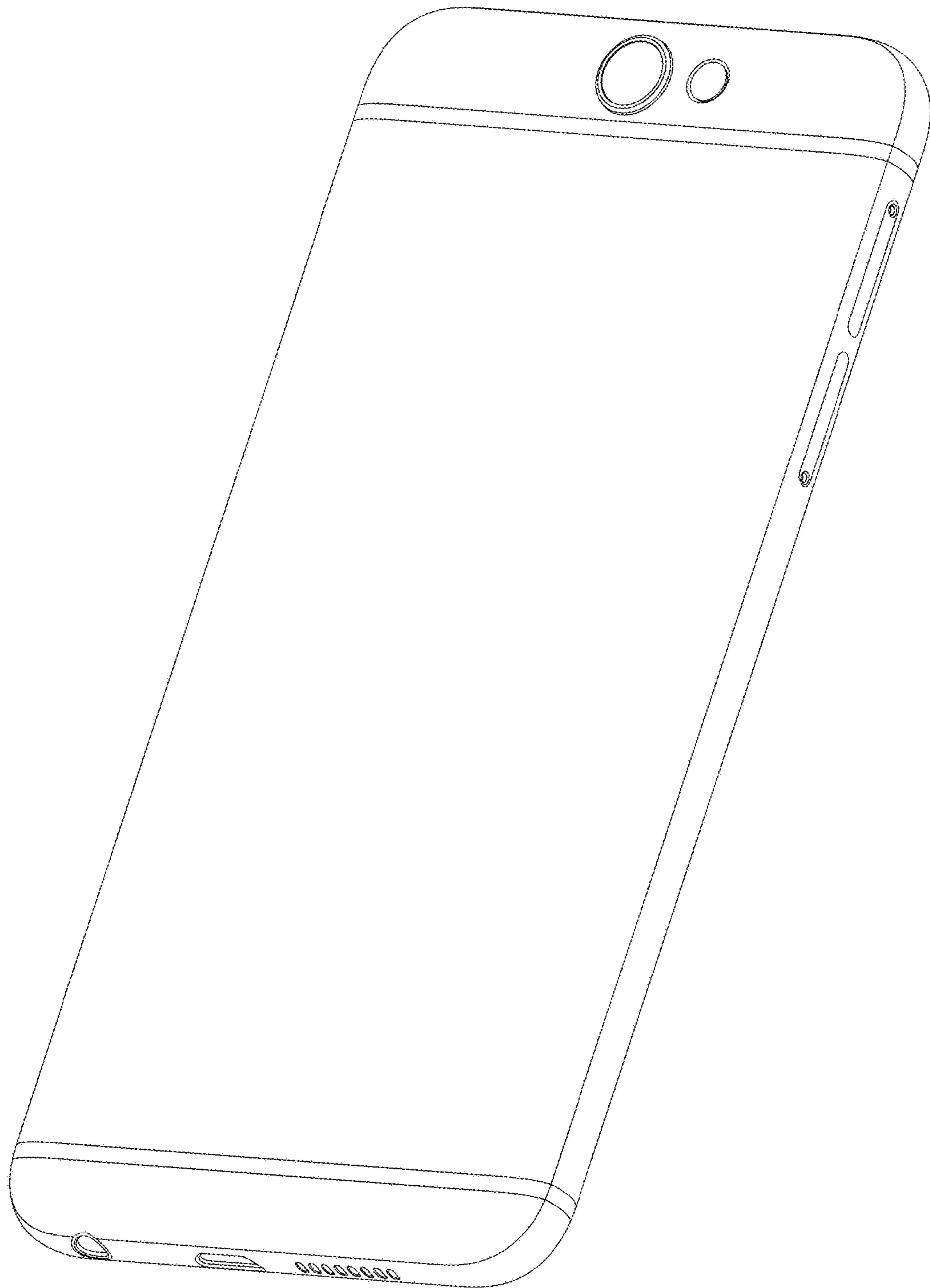


FIG. 8

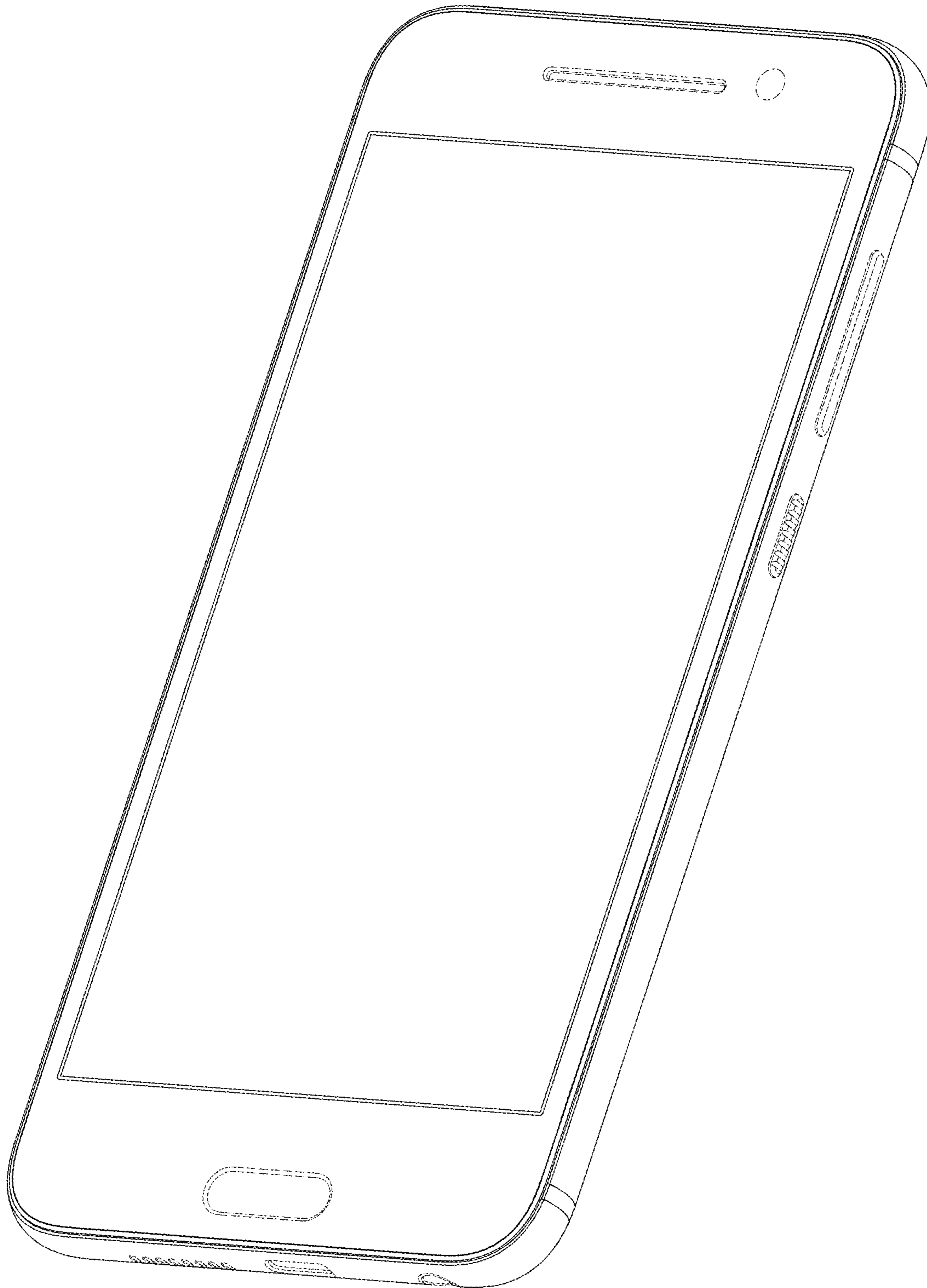


FIG. 9

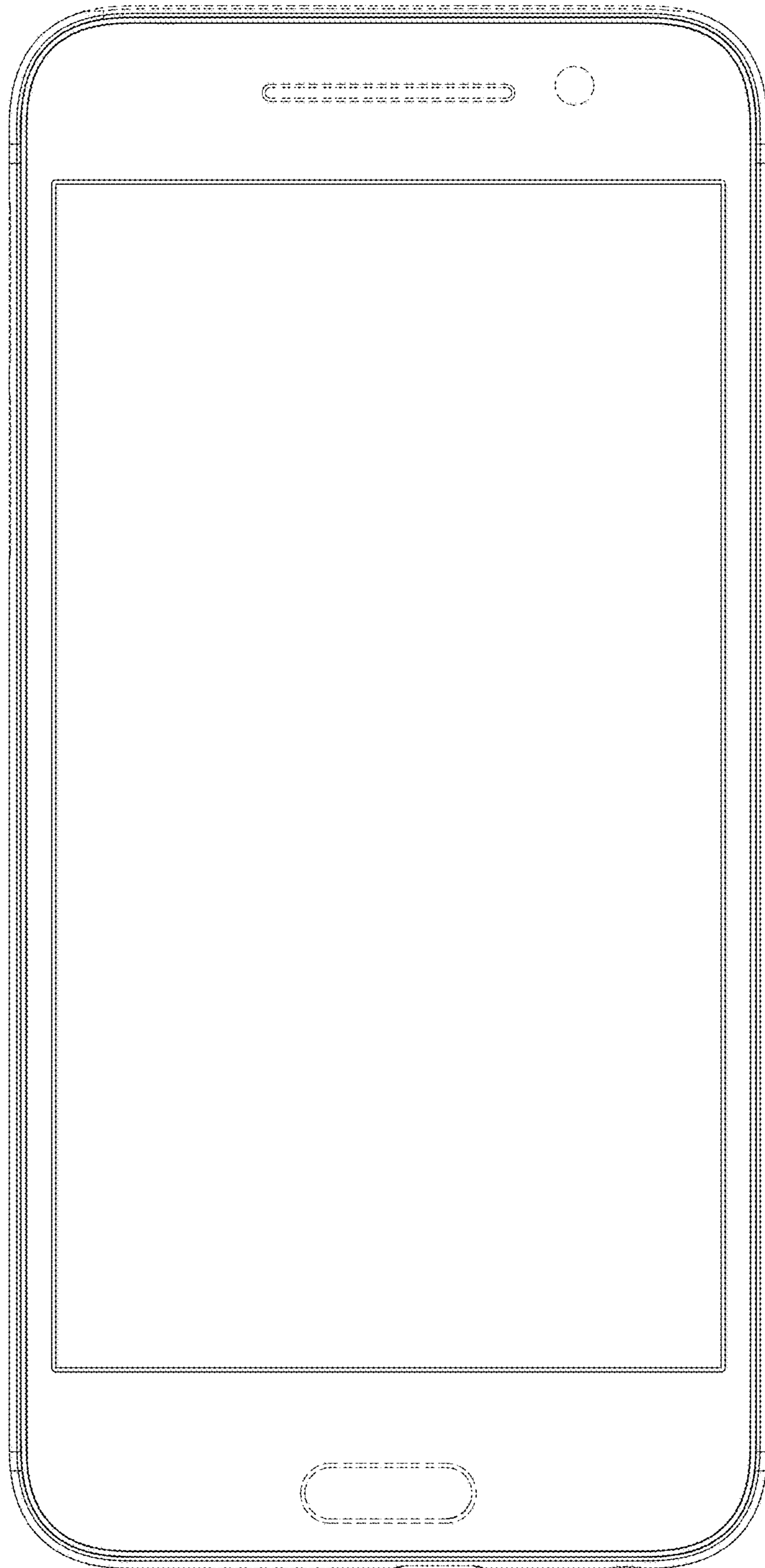


FIG. 10

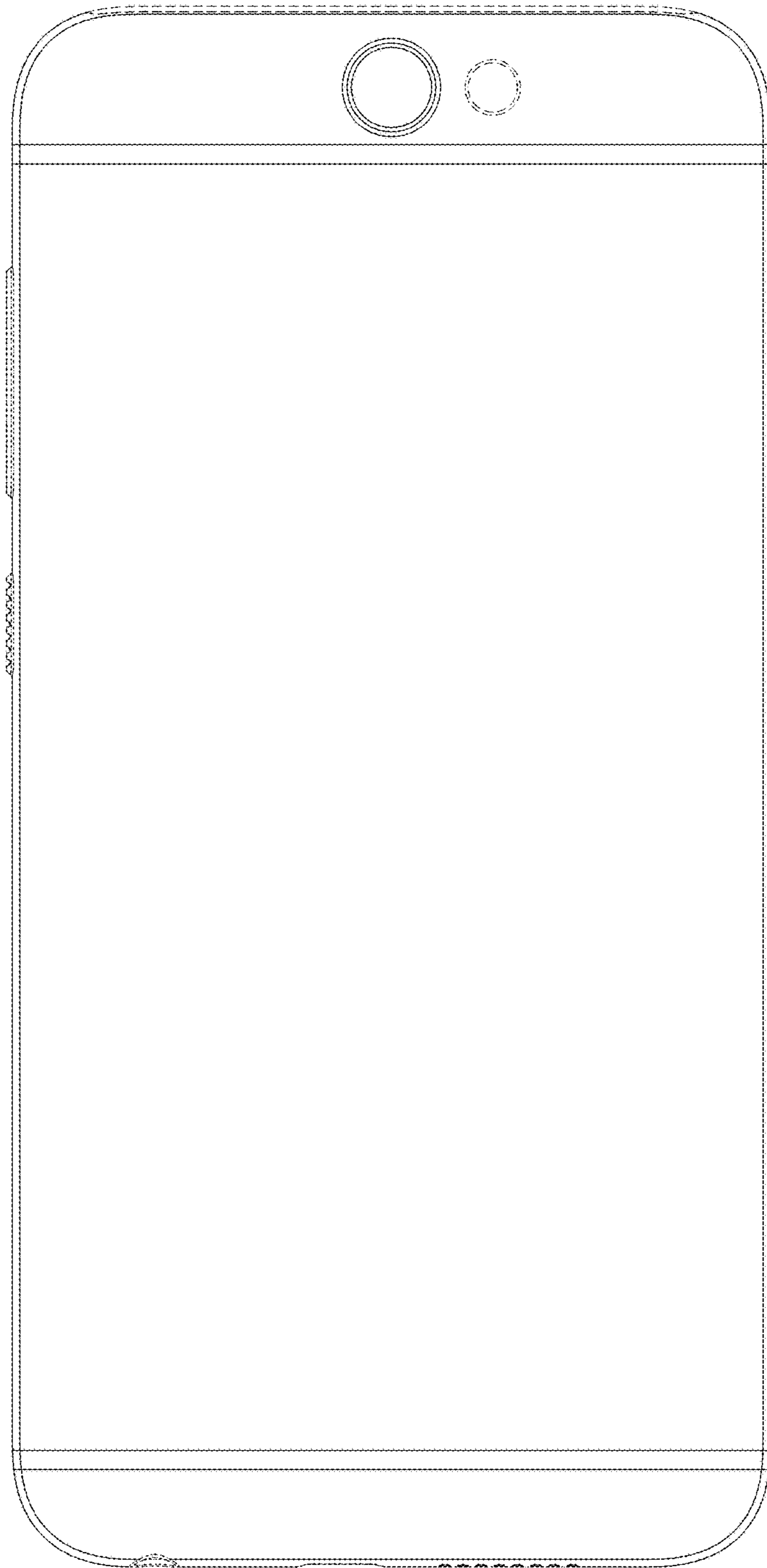


FIG. 11

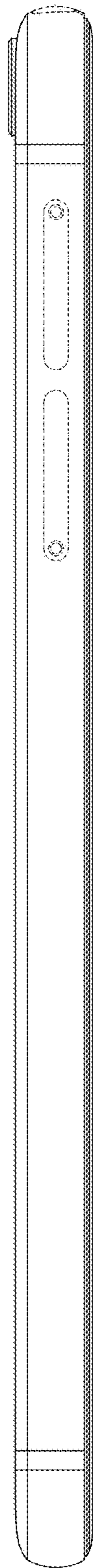


FIG. 12

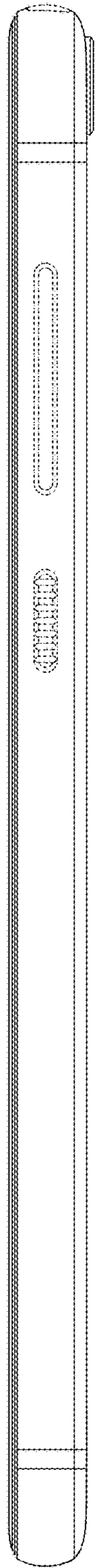


FIG. 13

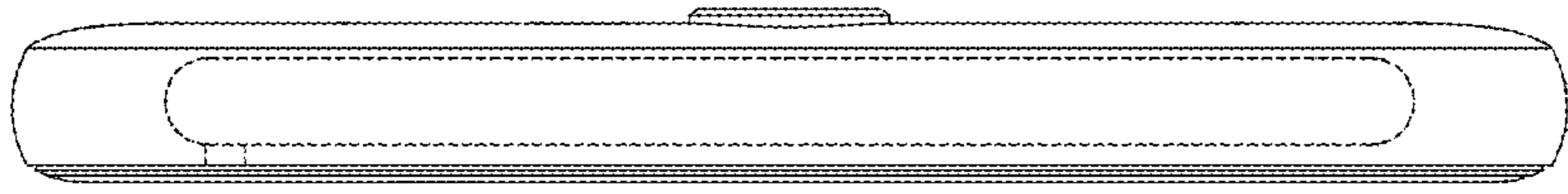


FIG. 14

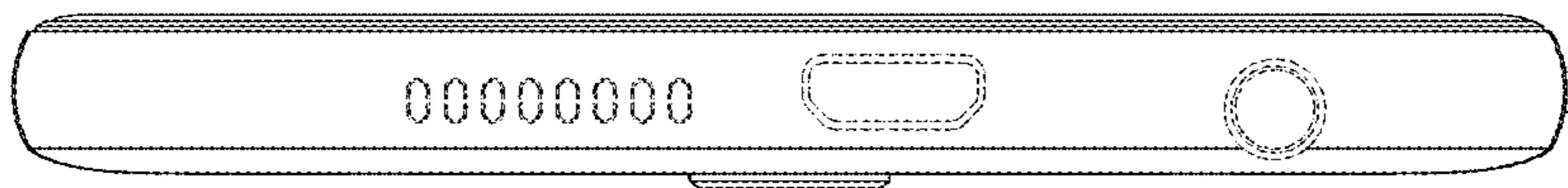


FIG. 15

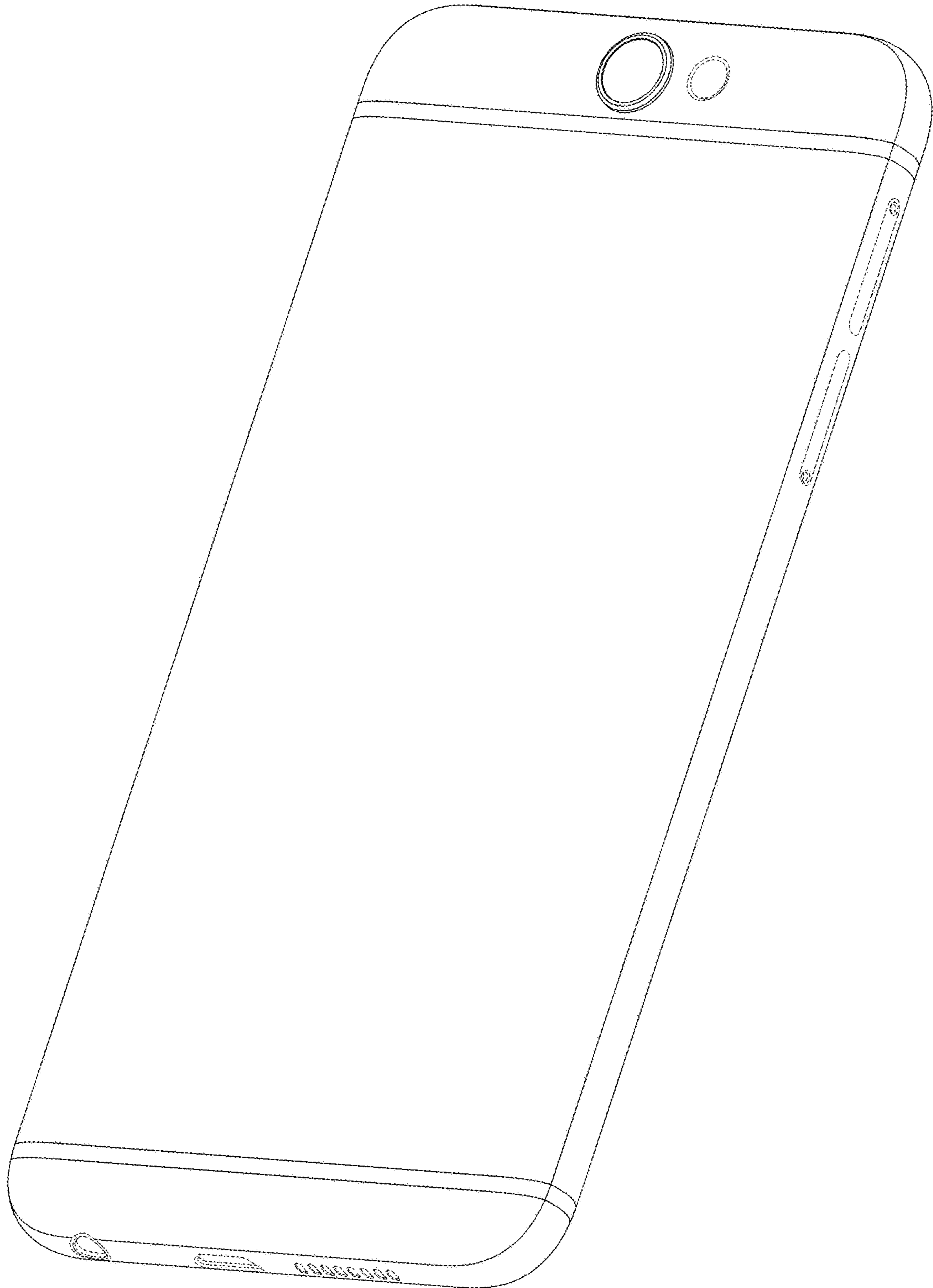


FIG. 16