



US00D781798S

(12) **United States Design Patent**  
**Klepper et al.**

(10) **Patent No.:** **US D781,798 S**  
(45) **Date of Patent:** **\*\* Mar. 21, 2017**

- (54) **DECODER FOR A TELEVISION**
- (71) Applicant: **Technicolor Delivery Technologies,**  
Issy-les-Moulineaux (FR)
- (72) Inventors: **Anne Klepper,** Paris (FR); **Pierre**  
**Garner,** Paris (FR)
- (73) Assignee: **Technicolor Delivery Technologies**  
(FR)
- (\*\*) Term: **15 Years**
- (21) Appl. No.: **29/548,970**
- (22) Filed: **Dec. 17, 2015**
- (51) **LOC (10) Cl.** ..... **14-03**
- (52) **U.S. Cl.**  
USPC ..... **D14/125**
- (58) **Field of Classification Search**  
USPC ..... D14/125, 357-358, 496, 188, 242, 432;  
D13/184; 348/10, 460, 706, 731;  
340/825.03; 455/6.1, 6.2; 312/223.1, 7.2  
CPC .. H04N 5/50; H04N 5/64; H05K 5/02; H05K  
5/03; G06F 1/16  
See application file for complete search history.

D685,074 S *	6/2013	Caroen	.....	D23/366
D687,009 S *	7/2013	Song	.....	D14/155
D692,413 S *	10/2013	Holzer	.....	D14/215
D699,710 S *	2/2014	Lee	.....	D14/214
D714,249 S *	9/2014	Carney	.....	D14/140
D723,480 S *	3/2015	Lee	.....	D14/125
D737,787 S *	9/2015	Leung	.....	D14/125

\* cited by examiner

*Primary Examiner* — Randall Gholson

(74) *Attorney, Agent, or Firm* — Fishman Stewart PLLC

(56) **References Cited**

U.S. PATENT DOCUMENTS

D676,420 S *	2/2013	Holzer	.....	D14/212
D678,243 S *	3/2013	McManigal	.....	D14/214

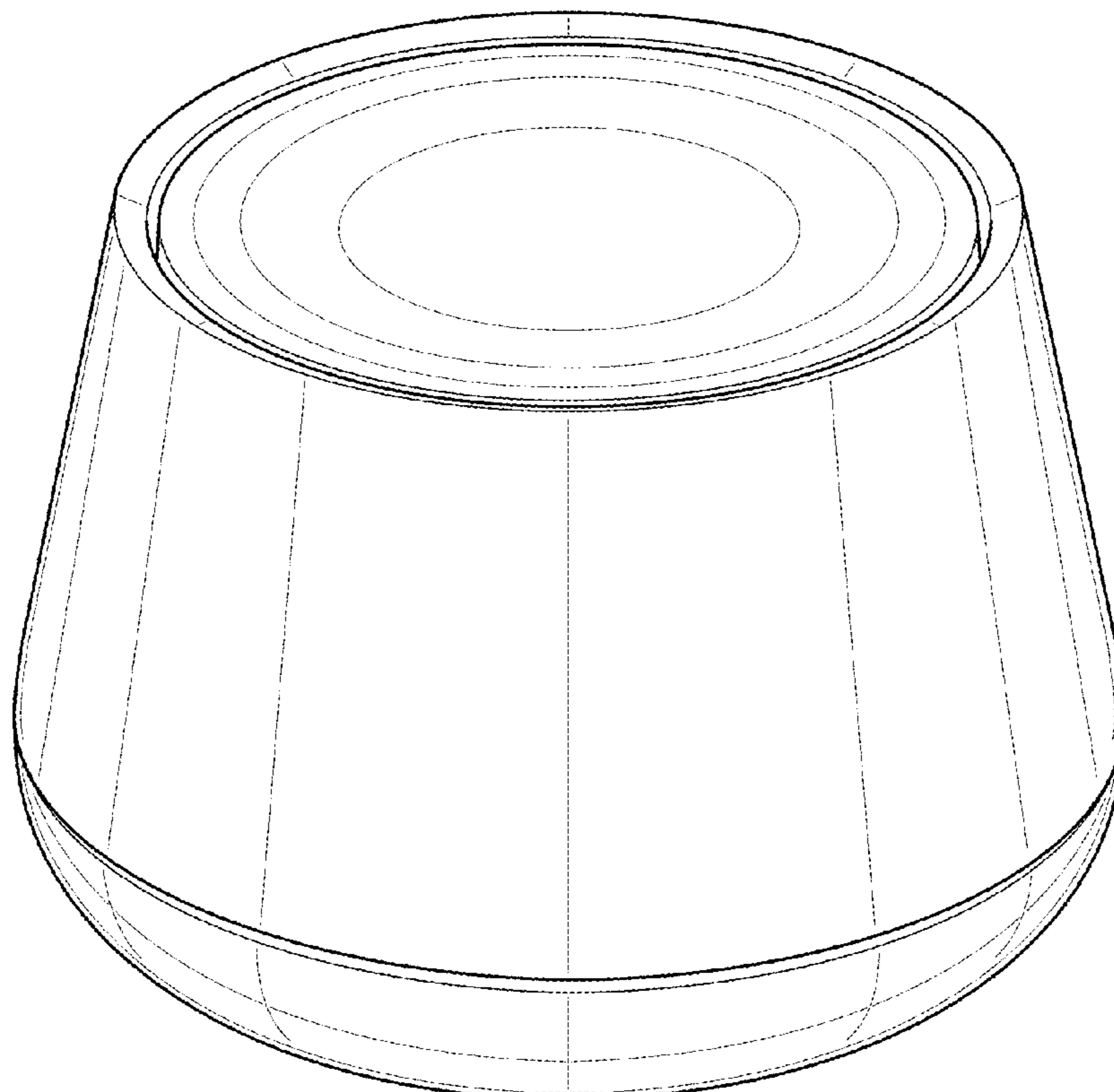
(57) **CLAIM**

The ornamental design for a decoder for a television, as shown and described.

**DESCRIPTION**

FIG. 1 is a perspective view of a decoder for a television; FIG. 2 is a front view of a decoder for a television; FIG. 3 is a rear view of a decoder for a television; FIG. 4 is a top view of a decoder for a television; and, FIG. 5 is a bottom view of a decoder for a television. The broken lines depict portions of the decoder for a television that form no part of the claimed design.

**1 Claim, 4 Drawing Sheets**



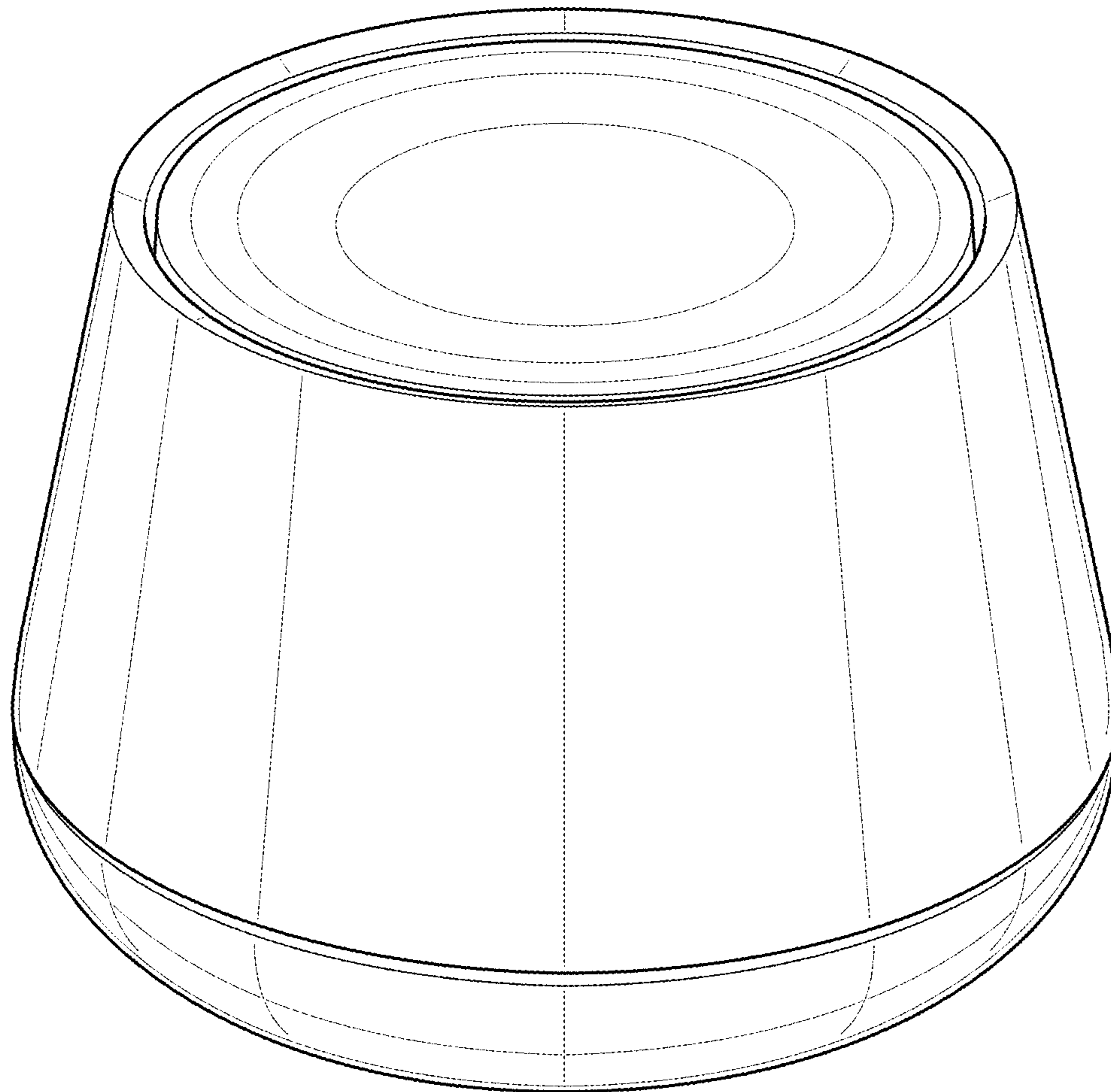


FIG. 1

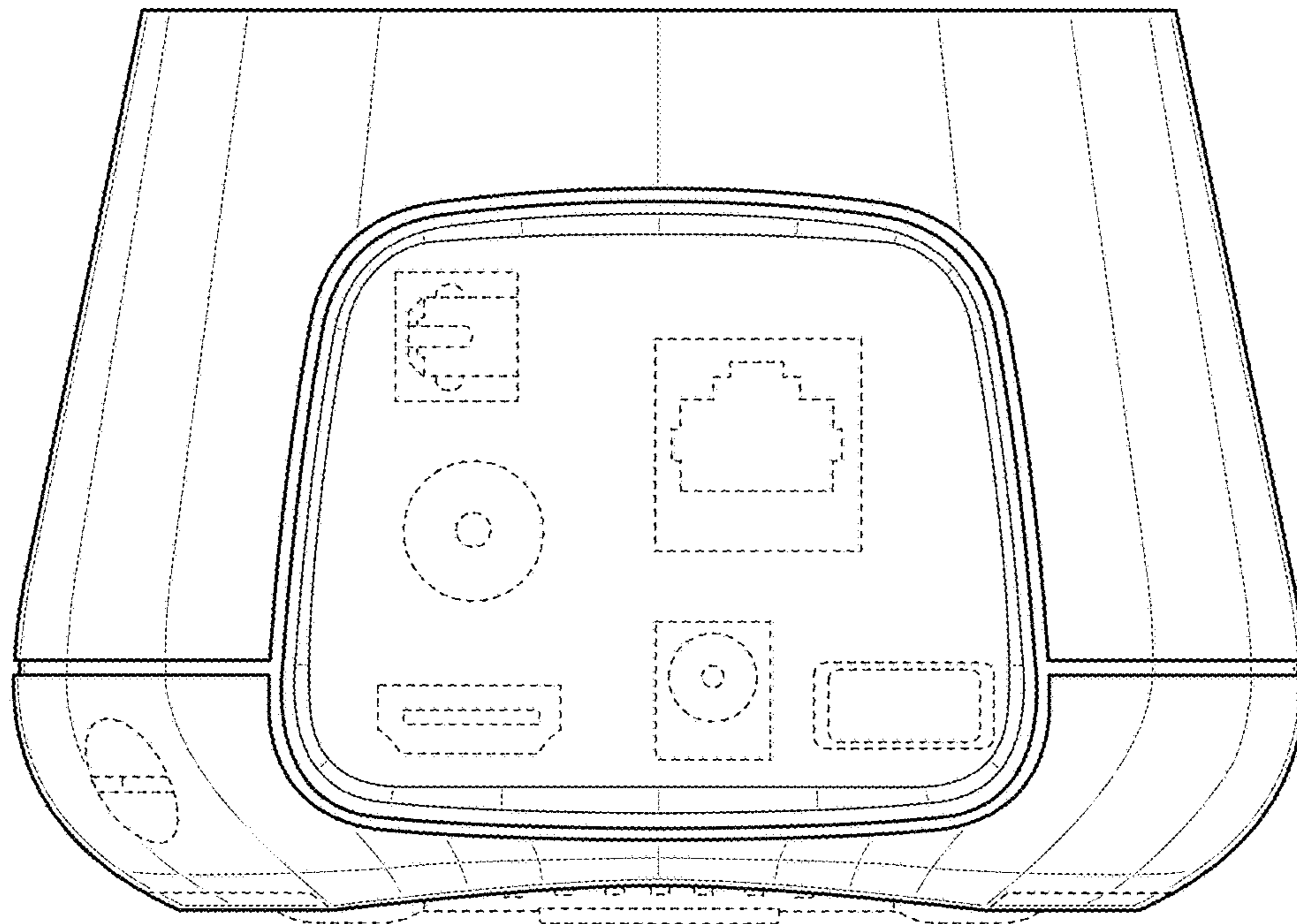


FIG. 2

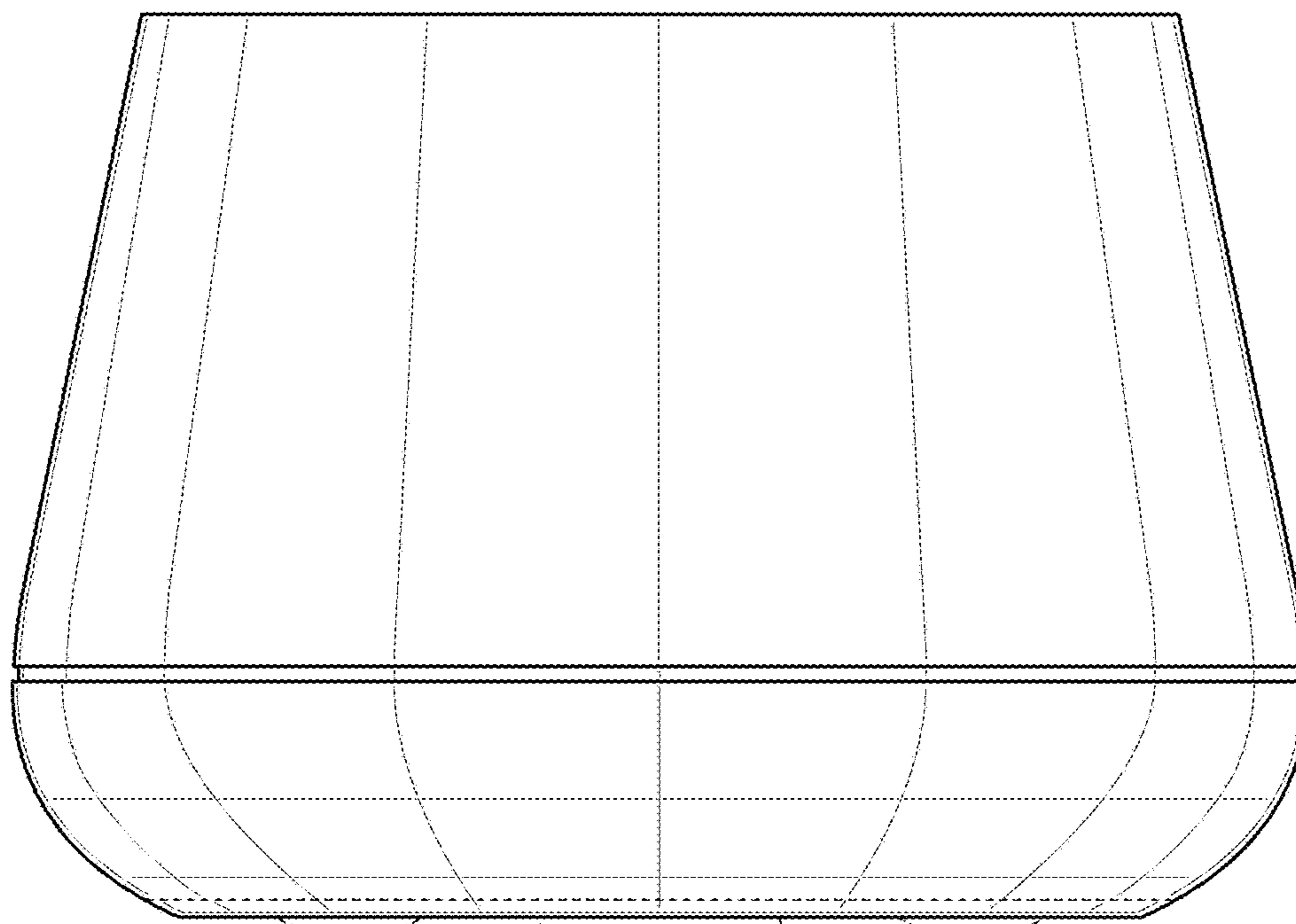


FIG. 3

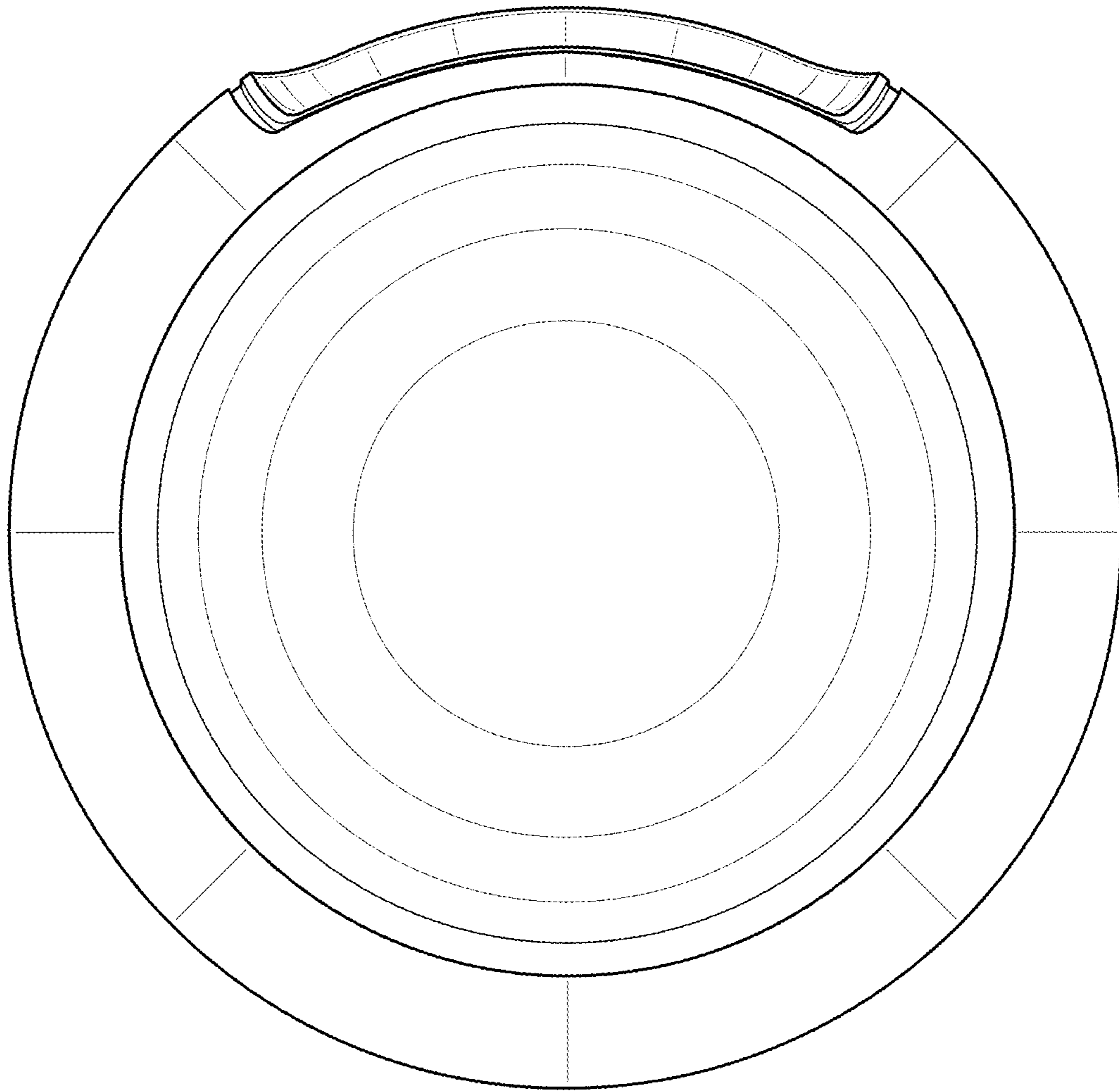


FIG. 4

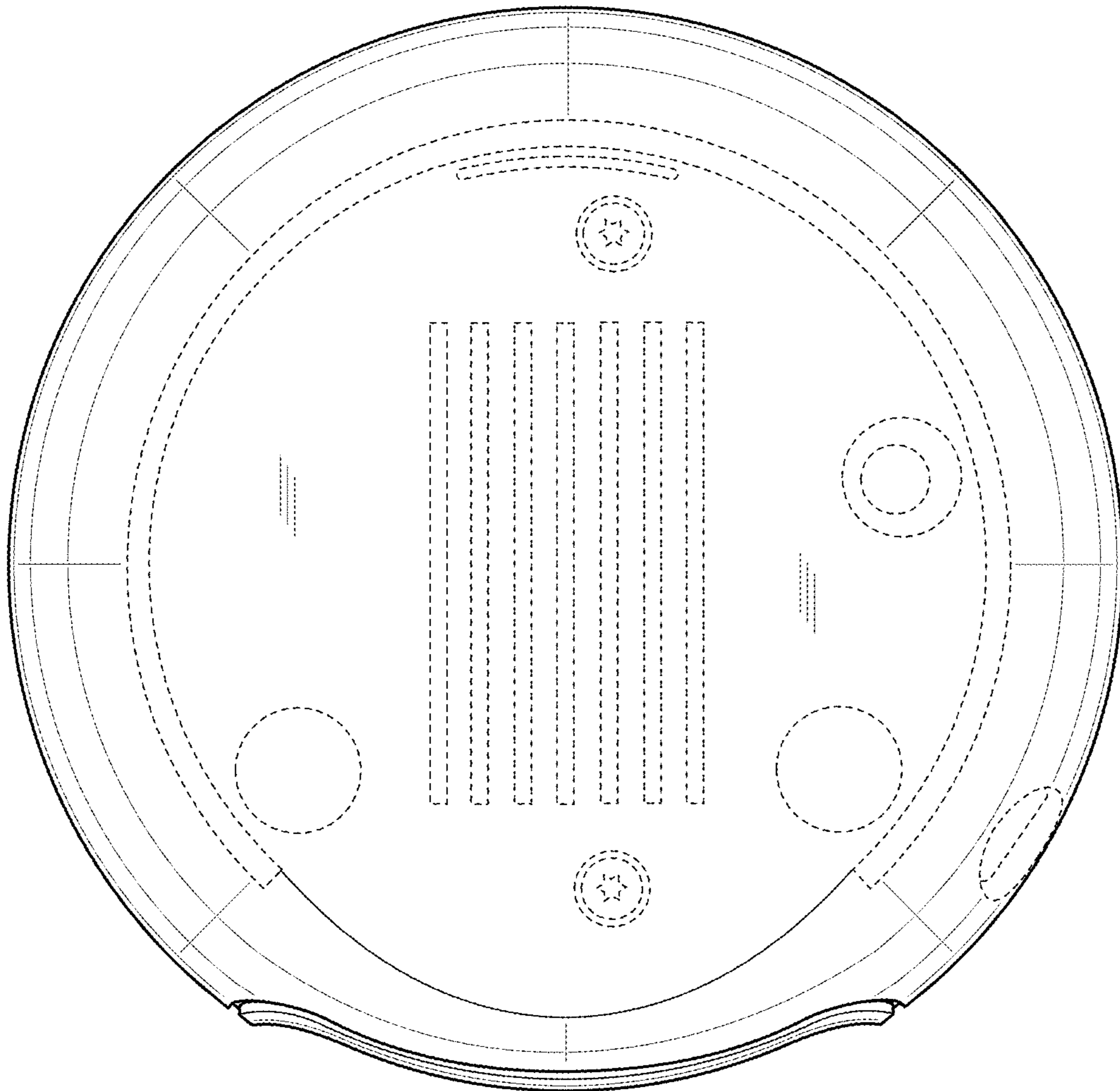


FIG. 5

UNITED STATES PATENT AND TRADEMARK OFFICE

**CERTIFICATE OF CORRECTION**

PATENT NO. : D781,798 S  
APPLICATION NO. : 29/548970  
DATED : March 21, 2017  
INVENTOR(S) : Anne Klepper et al.

Page 1 of 1

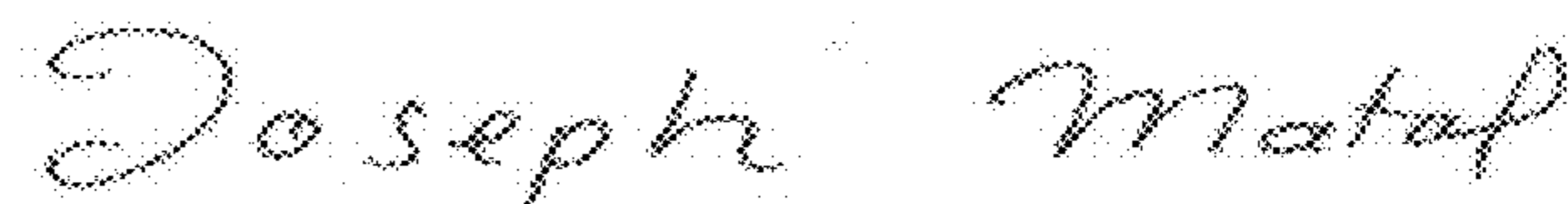
It is certified that error appears in the above-identified patent and that said Letters Patent is hereby corrected as shown below:

On the Title Page

Foreign Application Priority Data, please add the following missing priority data:

“June 18, 2015 (EU) .....I 002721928-0001”

Signed and Sealed this  
Thirteenth Day of June, 2017



Joseph Matal  
*Performing the Functions and Duties of the  
Under Secretary of Commerce for Intellectual Property and  
Director of the United States Patent and Trademark Office*