



US00D781797S

(12) **United States Design Patent**
Moon et al.

(10) **Patent No.:** **US D781,797 S**
(45) **Date of Patent:** **** Mar. 21, 2017**

- (54) **WIRELESS REPEATER**
- (71) Applicant: **Samsung Electronics Co., Ltd.**,
Suwon-si (KR)
- (72) Inventors: **Ji-Hyun Moon**, Gwangmyeong-Si
(KR); **Eun-Ae Lee**, Seoul (KR);
Moon-Jung Jang, Gunpo-si (KR)
- (73) Assignee: **Samsung Electronics Co., Ltd.**,
Suwon-si (KR)
- (**) Term: **15 Years**
- (21) Appl. No.: **29/548,835**
- (22) Filed: **Dec. 17, 2015**
- (30) **Foreign Application Priority Data**
Sep. 2, 2015 (KR) 30-2015-0044348
- (51) **LOC (10) Cl.** **14-03**
- (52) **U.S. Cl.**
USPC **D14/125**
- (58) **Field of Classification Search**
USPC D14/125, 357-358, 496, 188, 242, 432;
D13/184; 348/10, 460, 706, 731;
340/825.03; 455/6.1, 6.2; 312/223.1, 7.2
CPC .. H04N 5/50; H04N 5/64; H05K 5/02; H05K
5/03; G06F 1/16
See application file for complete search history.

- (56) **References Cited**
U.S. PATENT DOCUMENTS
D375,297 S * 11/1996 Casarez D14/242
D464,958 S * 10/2002 Coker D14/240

D493,165 S *	7/2004	Kiple	D14/242
D660,839 S *	5/2012	Govindasamy	D14/358
D687,424 S *	8/2013	Petersen	D14/240
D687,817 S *	8/2013	Petersen	D14/240
D694,205 S *	11/2013	Lim	D14/125
D695,281 S *	12/2013	Petersen	D14/240
D707,212 S *	6/2014	Lim	D14/242
D744,464 S *	12/2015	Snyder	D14/240
D752,563 S *	3/2016	Hansen	D14/240

* cited by examiner

Primary Examiner — Randall Gholson
(74) *Attorney, Agent, or Firm* — NSIP Law

(57) **CLAIM**

We claim the ornamental design for a wireless repeater, as shown and described.

DESCRIPTION

FIG. 1 is a front perspective view of a wireless repeater showing our new design;
 FIG. 2 is a front view thereof;
 FIG. 3 is a rear view thereof;
 FIG. 4 is a left-side view thereof;
 FIG. 5 is a right-side view thereof;
 FIG. 6 is a top view thereof;
 FIG. 7 is a bottom view thereof;
 FIG. 8 is an enlarged view of the encircled portion in FIG. 4;
 FIG. 9 is an enlarged view of the encircled portion in FIG. 5; and,
 FIG. 10 is a rear perspective view thereof.
 The broken lines in the figures show portions of the wireless repeater which form no part of the claimed design. The dot dash lines in figures define an outline of the enlarged view and form no part of the claimed design.

1 Claim, 7 Drawing Sheets

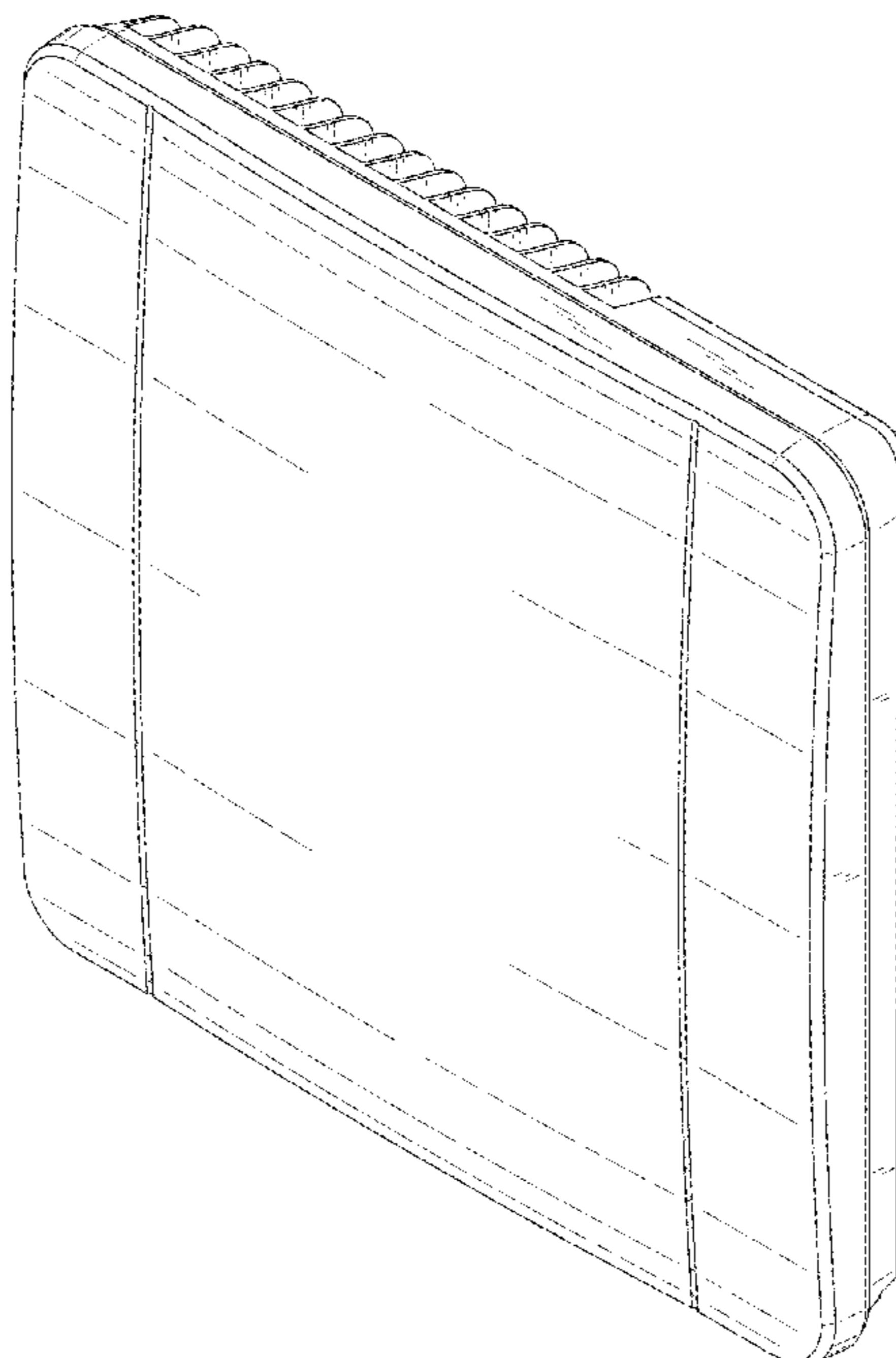


FIG. 1

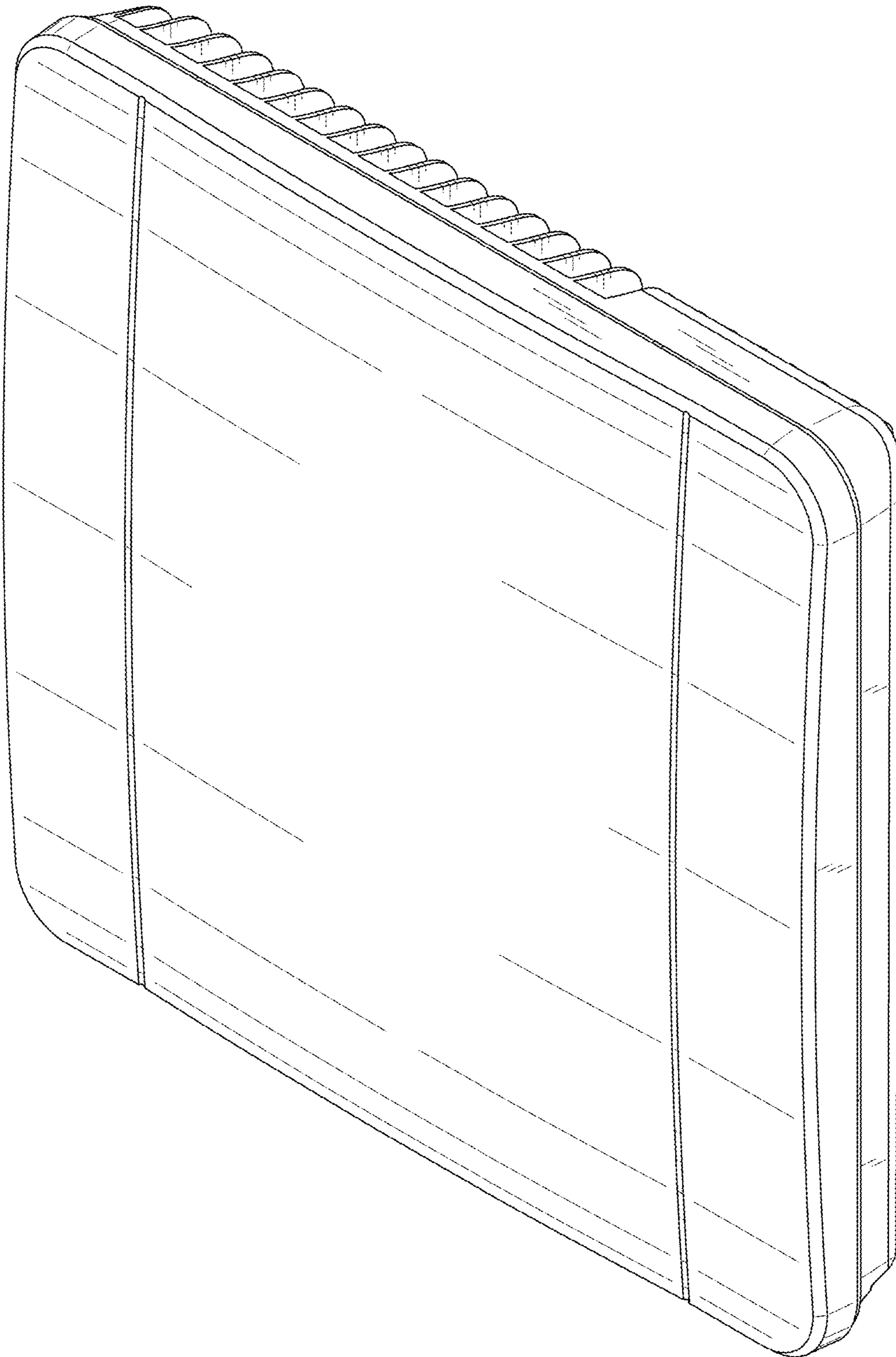


FIG. 2

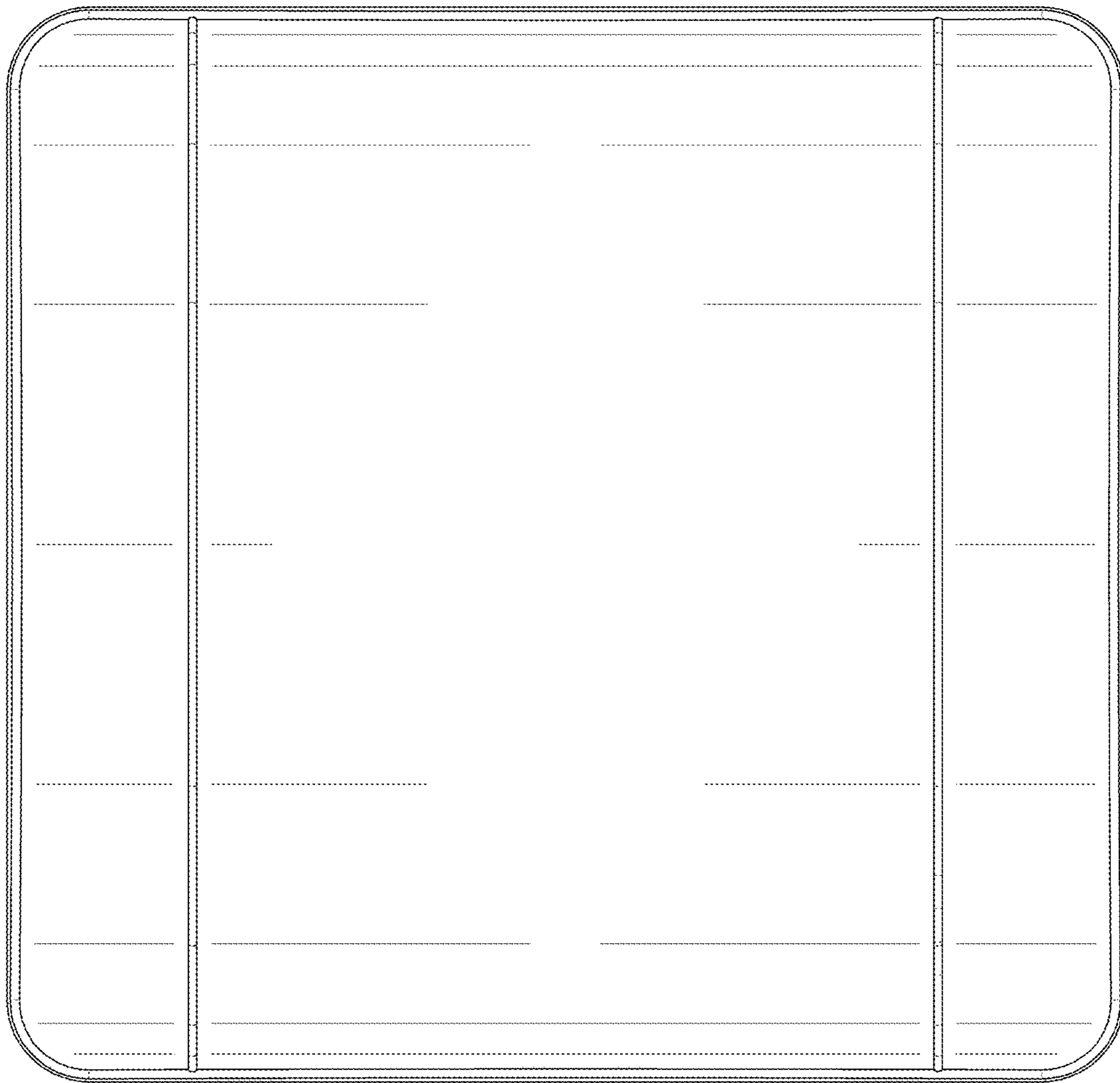


FIG. 3

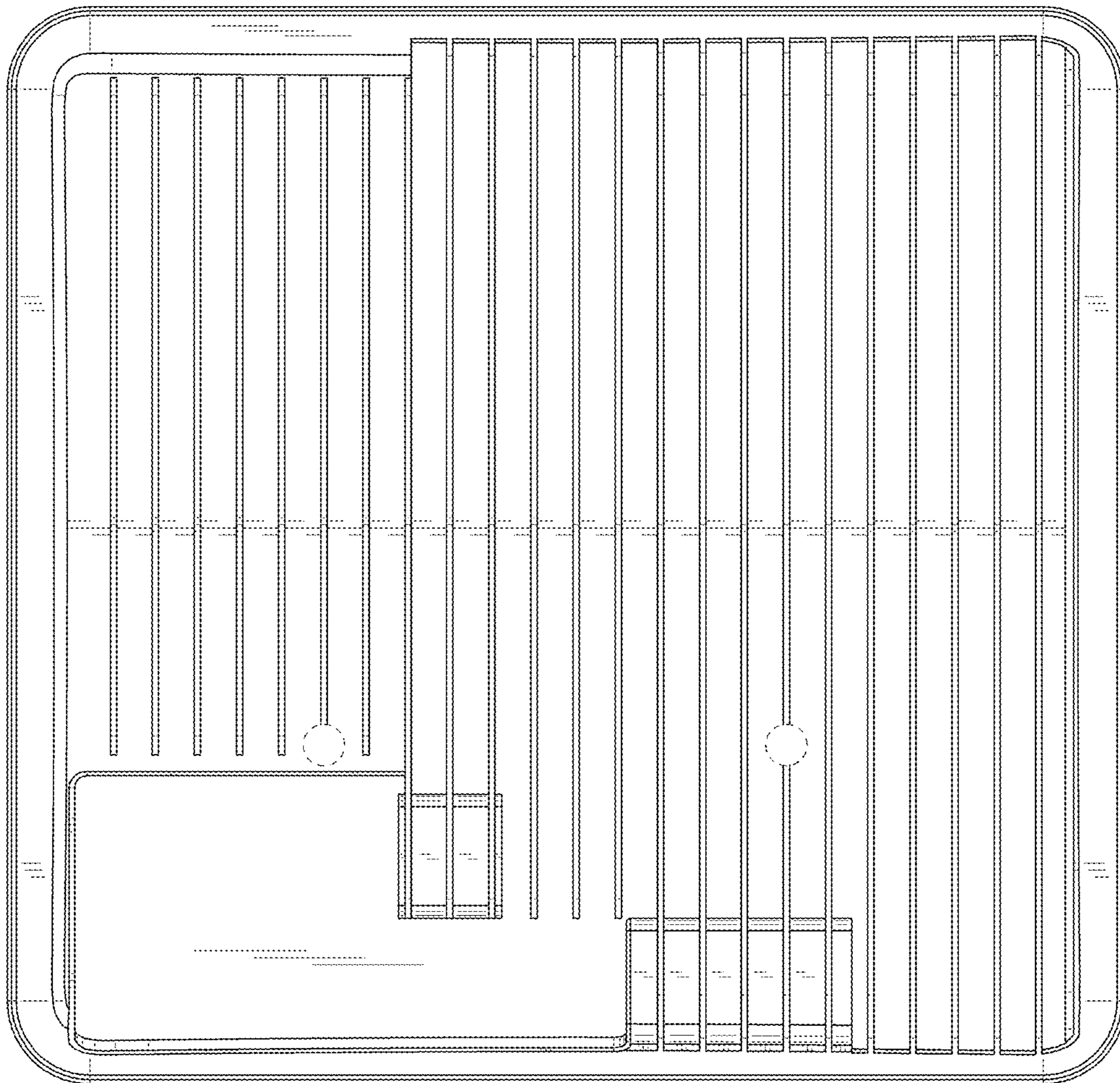


FIG. 4

FIG. 5

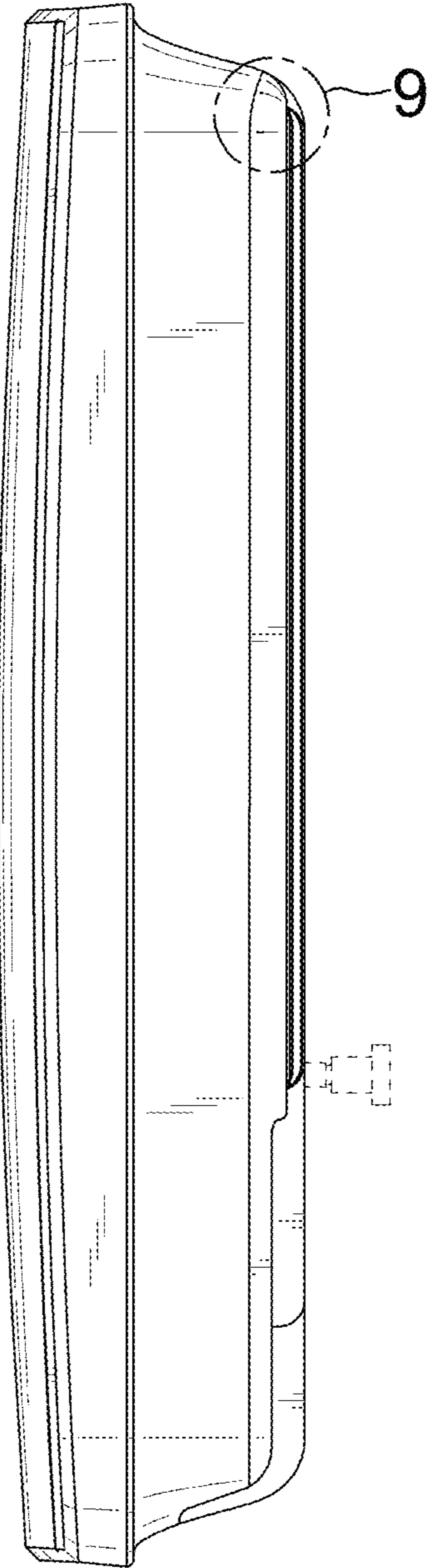
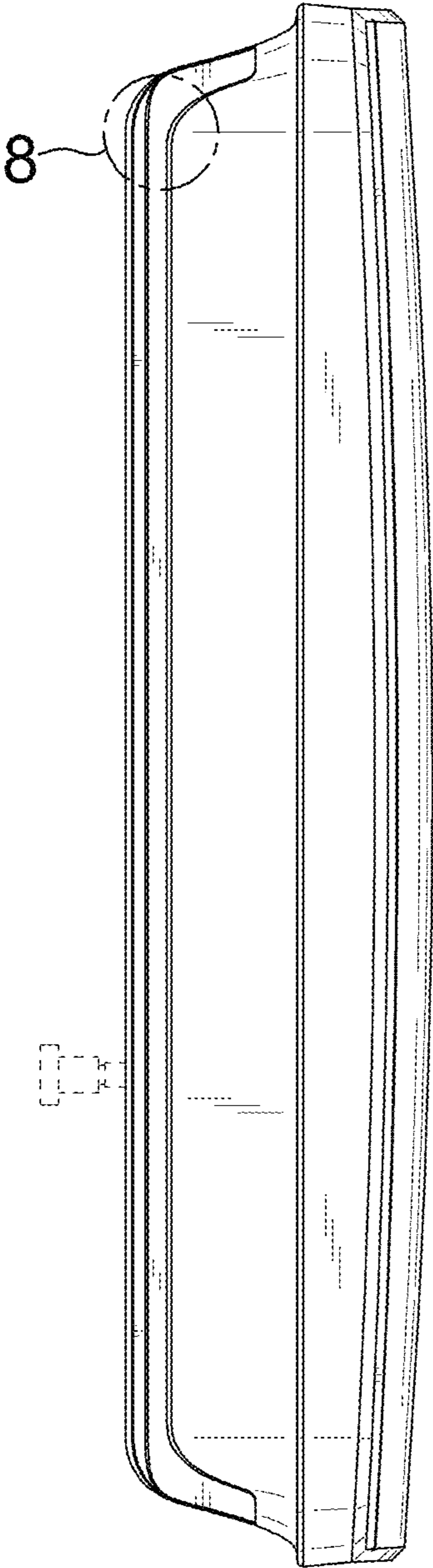


FIG. 6

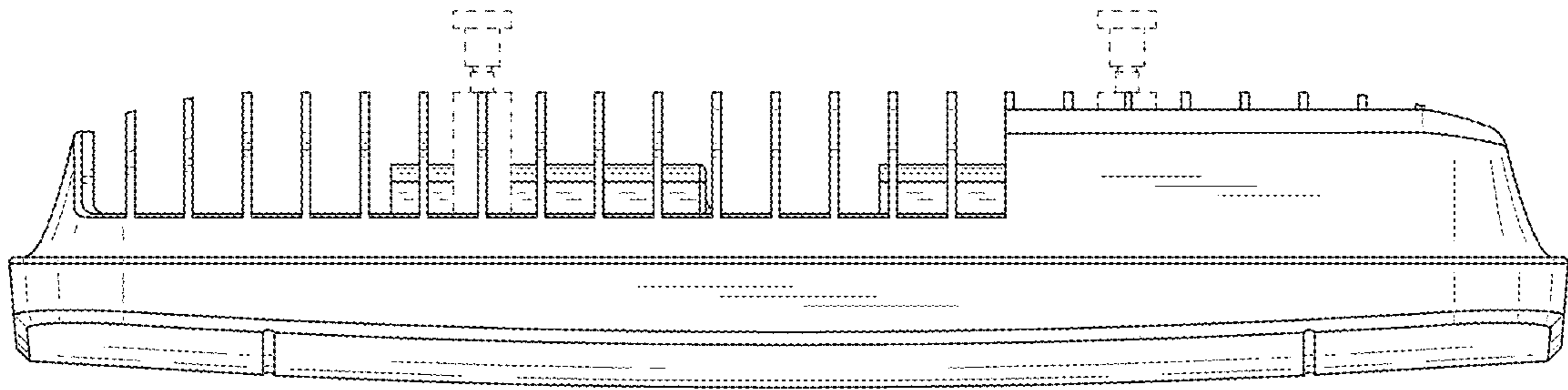


FIG. 7

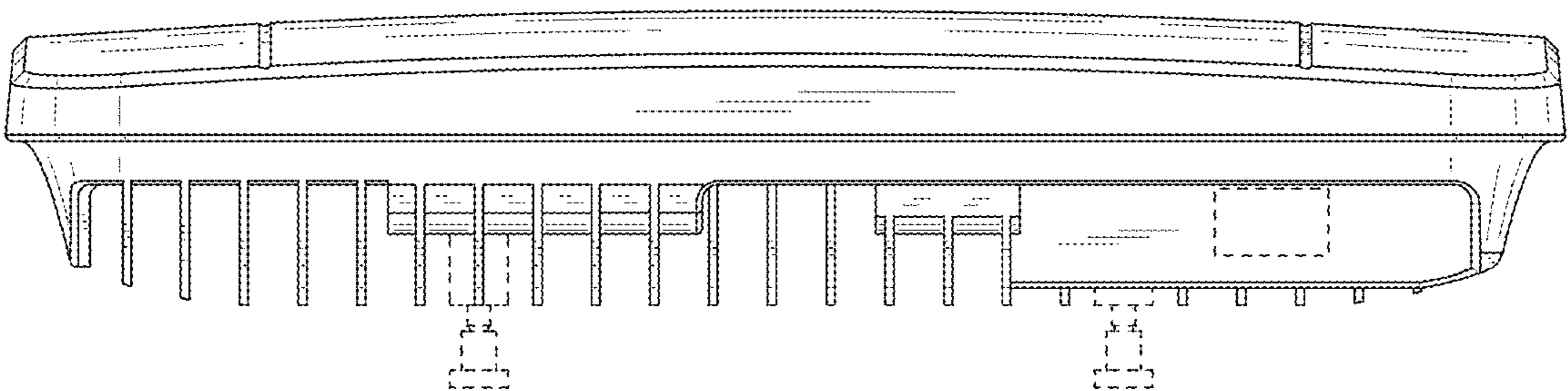


FIG. 8

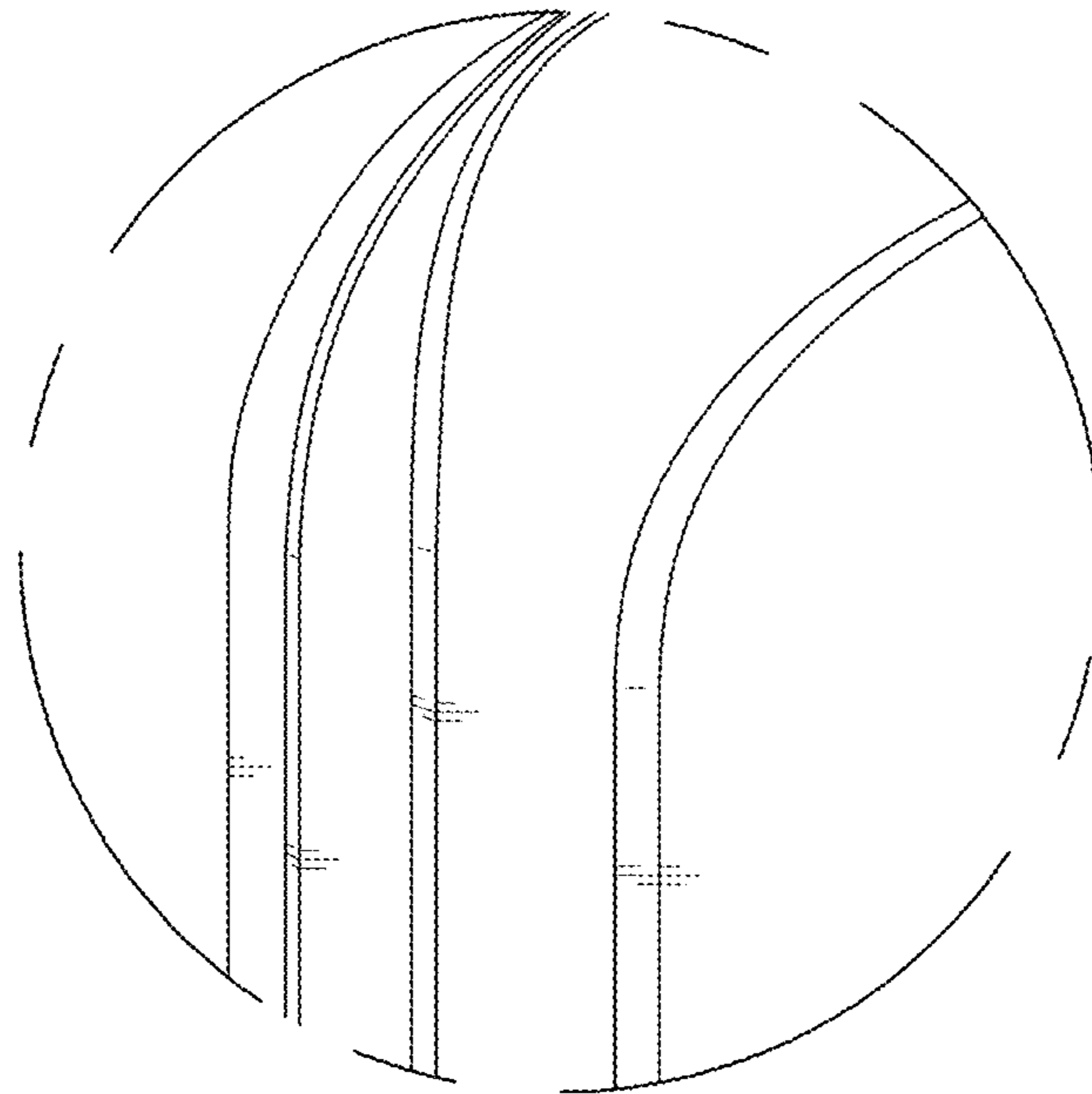


FIG. 9

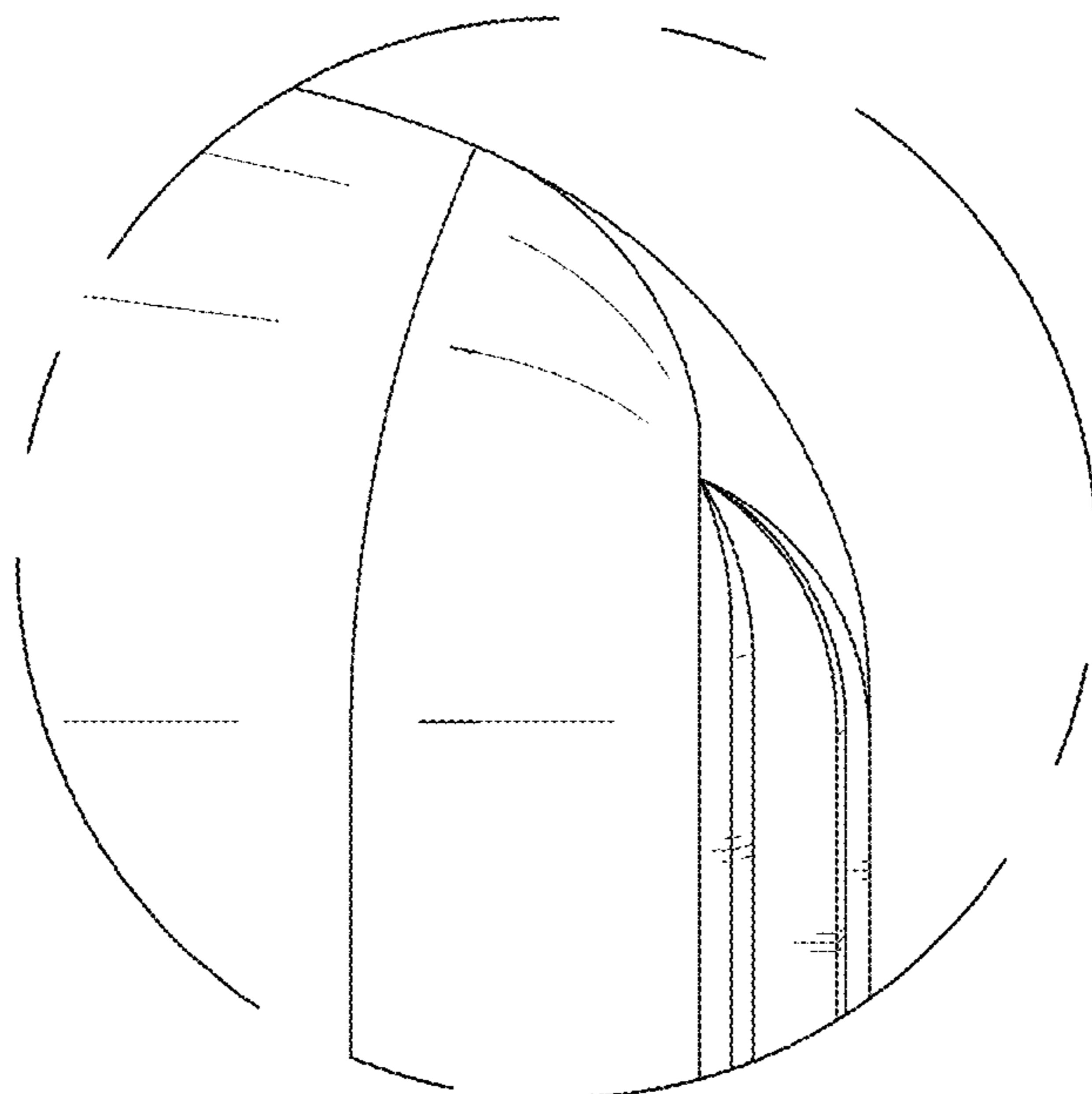


FIG. 10

