



US00D781794S

(12) **United States Design Patent** (10) **Patent No.:** **US D781,794 S**
Gargani et al. (45) **Date of Patent:** **** Mar. 21, 2017**

(54) **SET-TOP ENCLOSURE**

(71) Applicant: **ARRIS Enterprises, Inc.**, Suwanee, GA (US)

(72) Inventors: **David M. Gargani**, Lansdale, PA (US);
Charles F. Niesley, Lansdale, PA (US);
Christopher S. Vidak, Annandale, NJ (US)

(73) Assignee: **ARRIS Enterprises, Inc.**, Suwanee, GA (US)

(**) Term: **15 Years**

(21) Appl. No.: **29/530,409**

(22) Filed: **Jun. 16, 2015**

(51) **LOC (10) Cl.** **14-03**

(52) **U.S. Cl.**
USPC **D14/125**

(58) **Field of Classification Search**
USPC D14/125, 357-358, 496, 188, 242, 432;
D13/184; 348/10, 460, 706, 731;
340/825.03; 455/6.1, 6.2; 312/223.1, 7.2
CPC .. H04N 5/50; H04N 5/64; H05K 5/02; H05K
5/03; G06F 1/16
See application file for complete search history.

(56) **References Cited**

U.S. PATENT DOCUMENTS

D558,788 S *	1/2008	Yu	D14/496
D585,858 S *	2/2009	Tejima	D14/168
D586,813 S *	2/2009	Colburn	D14/385
D609,656 S *	2/2010	Cho	D14/125

(Continued)

Primary Examiner — Randall Gholson

(74) *Attorney, Agent, or Firm* — Bart A. Perkins

(57) **CLAIM**

The ornamental design for a set-top enclosure, as shown and described.

DESCRIPTION

FIG. 1 is a front perspective view of the set-top enclosure. FIG. 2 is a rear perspective view of the set-top enclosure. FIG. 3 is a right side elevation view of the set-top enclosure. The left side elevation view of the set-top enclosure is a mirror image of the right side elevation view of the set-top enclosure.

FIG. 4 is a front elevation view of the set-top enclosure.

FIG. 5 is a rear elevation view of the set-top enclosure.

FIG. 6 is an exploded front perspective view of the set-top enclosure.

FIG. 7 is a cross-sectional top view of the set-top enclosure.

FIG. 8 is a front perspective view of the set-top enclosure.

FIG. 9 is a rear perspective view of the set-top enclosure.

FIG. 10 is a right side elevation view of the set-top enclosure. The left side elevation view of the set-top enclosure is a mirror image of the right side elevation view of the set-top enclosure.

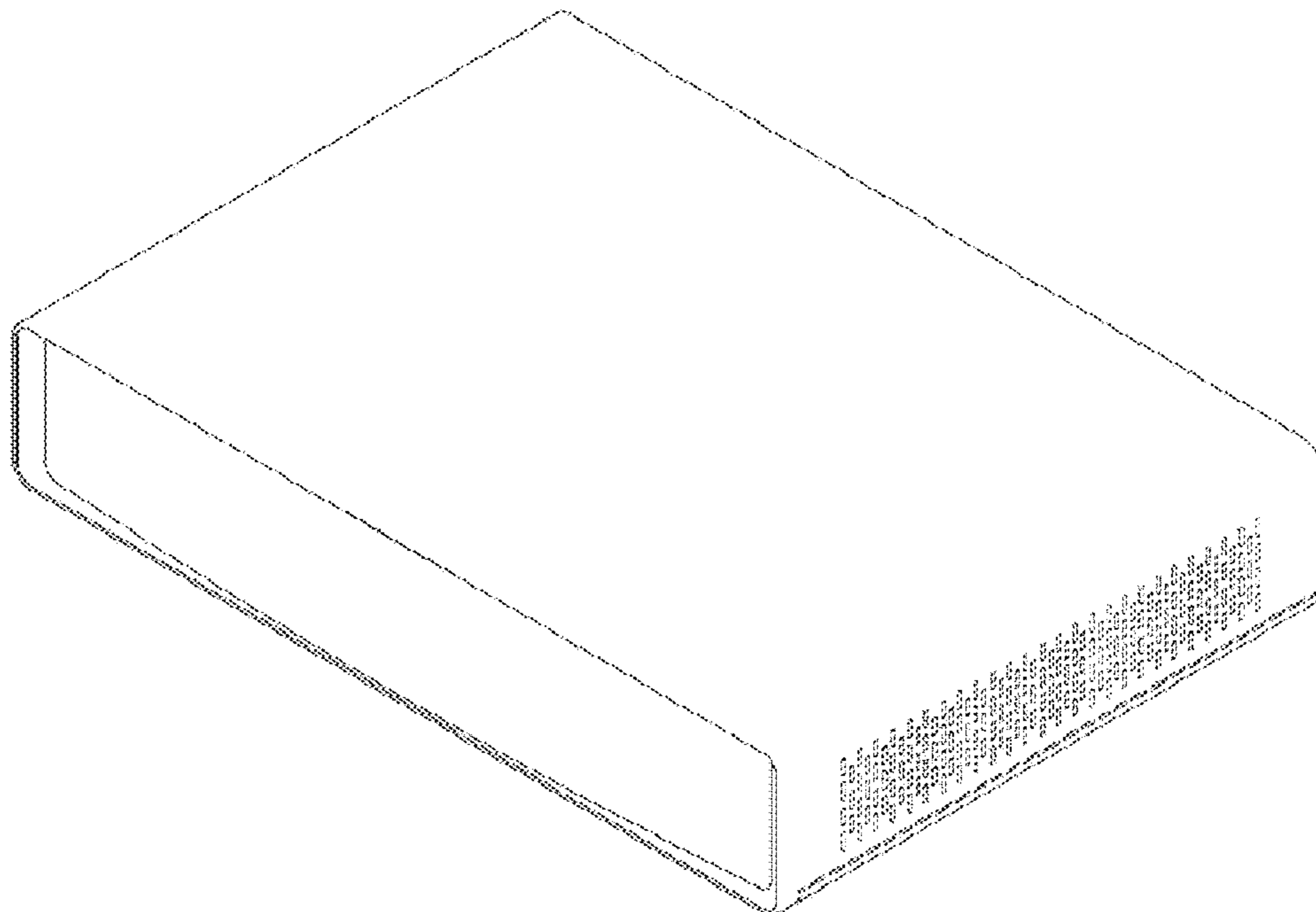
FIG. 11 is a front elevation view of the set-top enclosure.

FIG. 12 is a rear elevation view of the set-top enclosure.

FIG. 13 is an exploded front perspective view of the set-top enclosure; and,

FIG. 14 is a cross-sectional top view of the set-top enclosure. The broken lines depict portions of the set-top enclosure that form no part of the claimed design.

1 Claim, 14 Drawing Sheets



(56)

References Cited

U.S. PATENT DOCUMENTS

D610,102 S	*	2/2010	Cho	D14/125
D610,103 S	*	2/2010	Miller	D14/125
D666,564 S	*	9/2012	Lee	D14/125
D673,128 S	*	12/2012	Kelly	D14/125

* cited by examiner

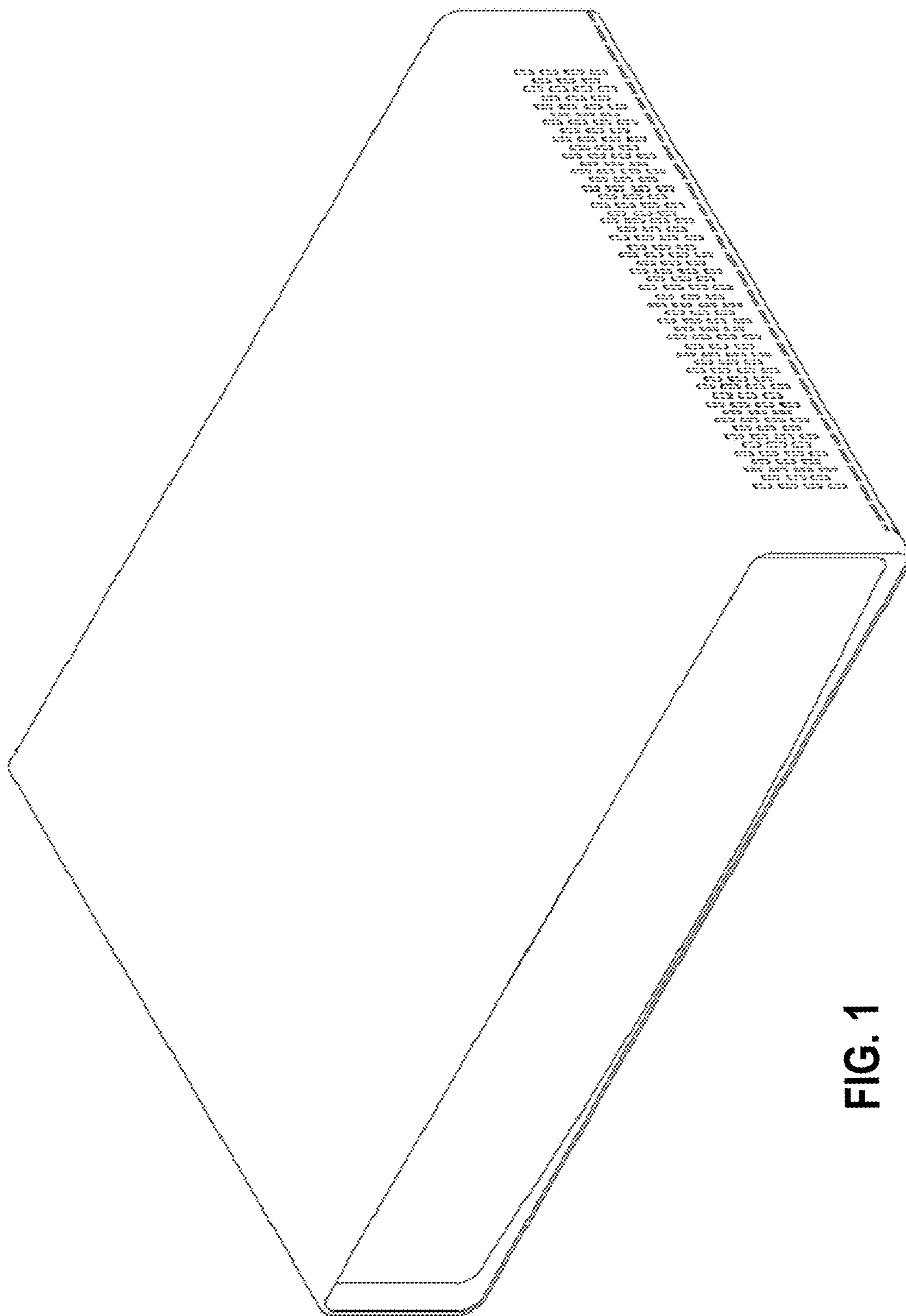


FIG. 1

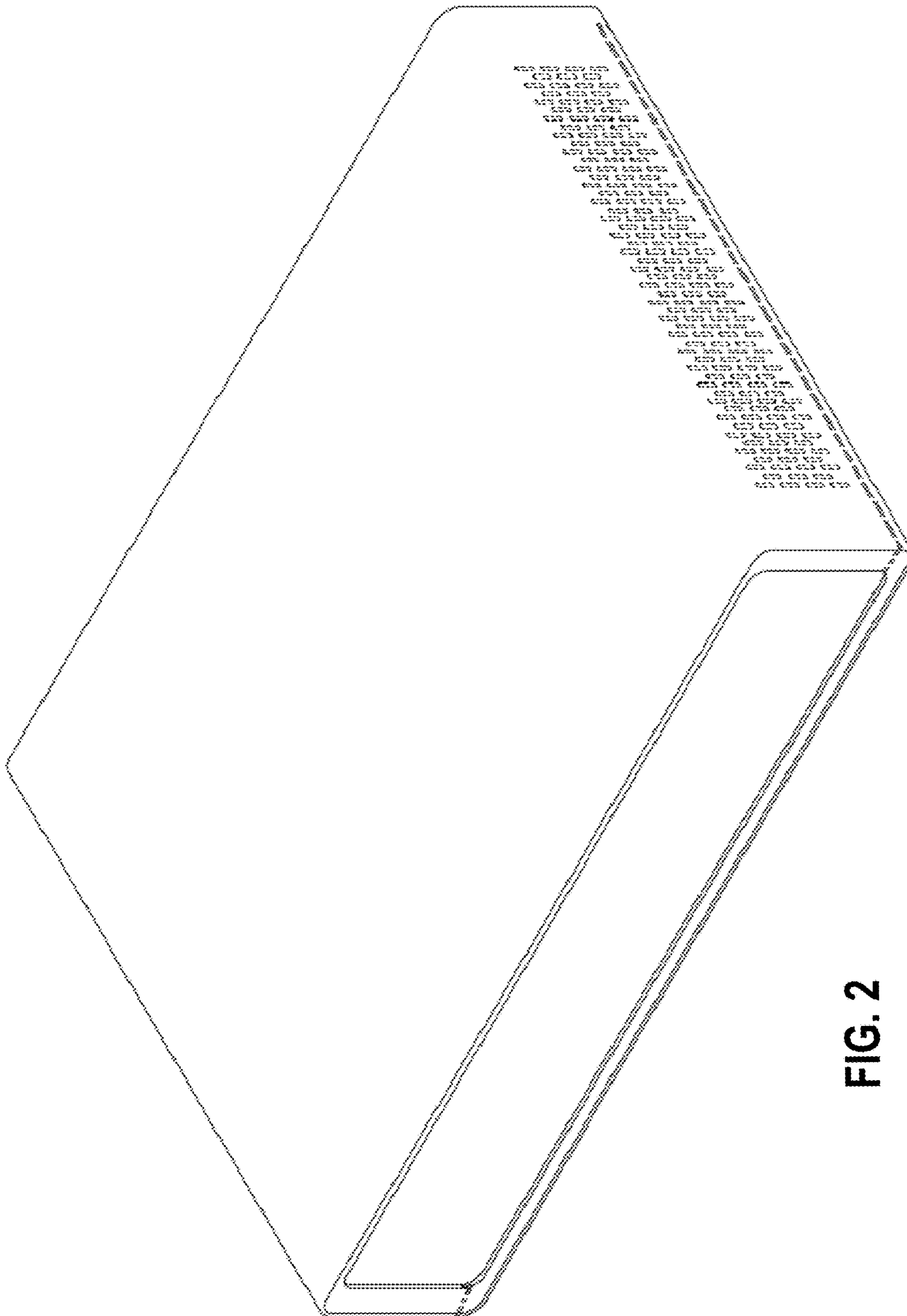


FIG. 2

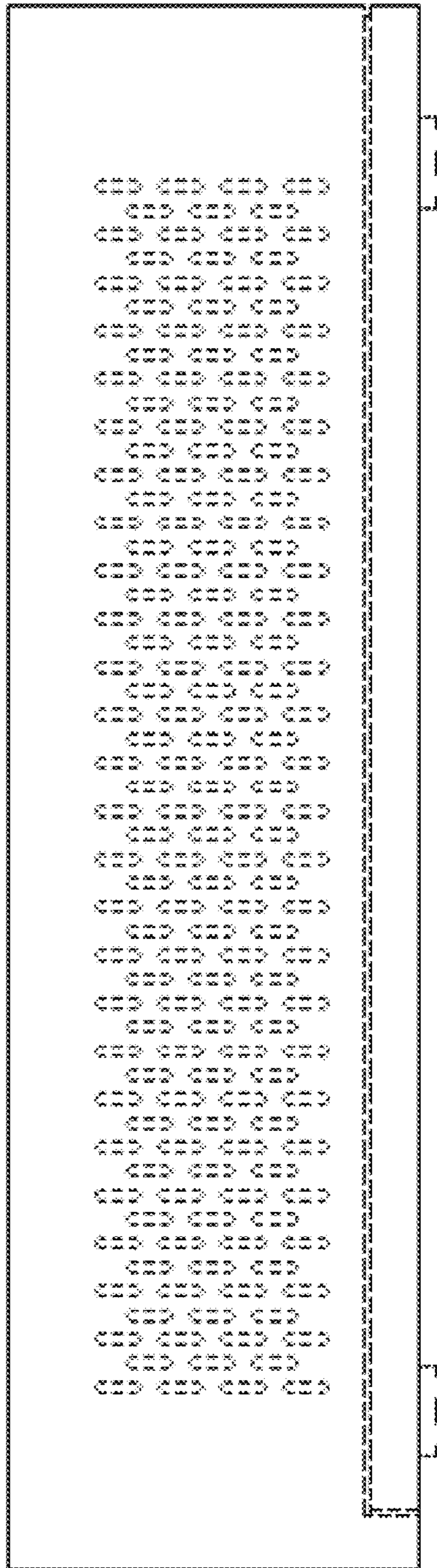


FIG. 3

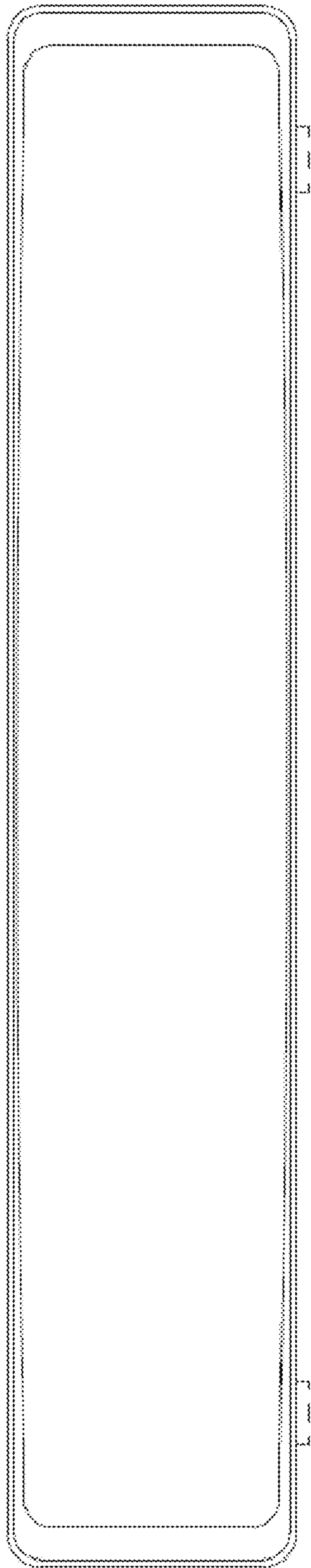


FIG. 4

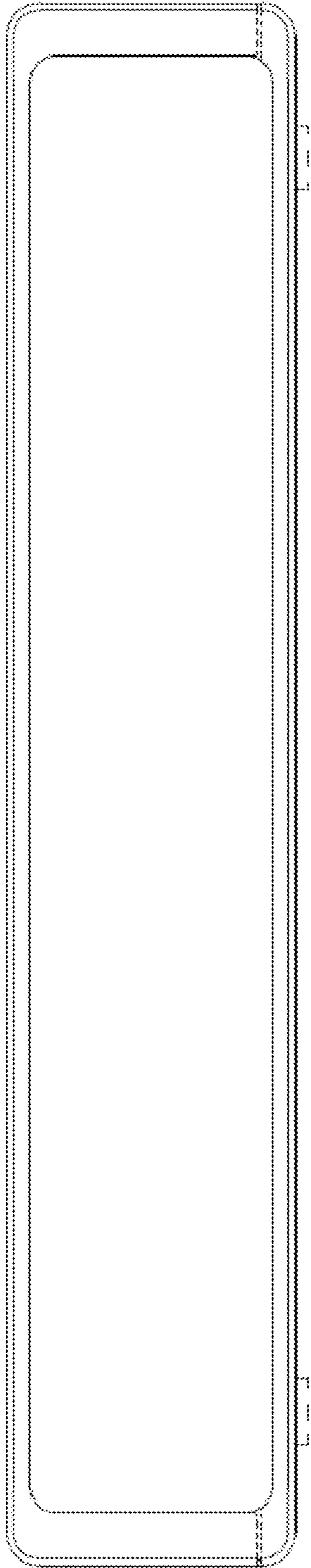


FIG. 5

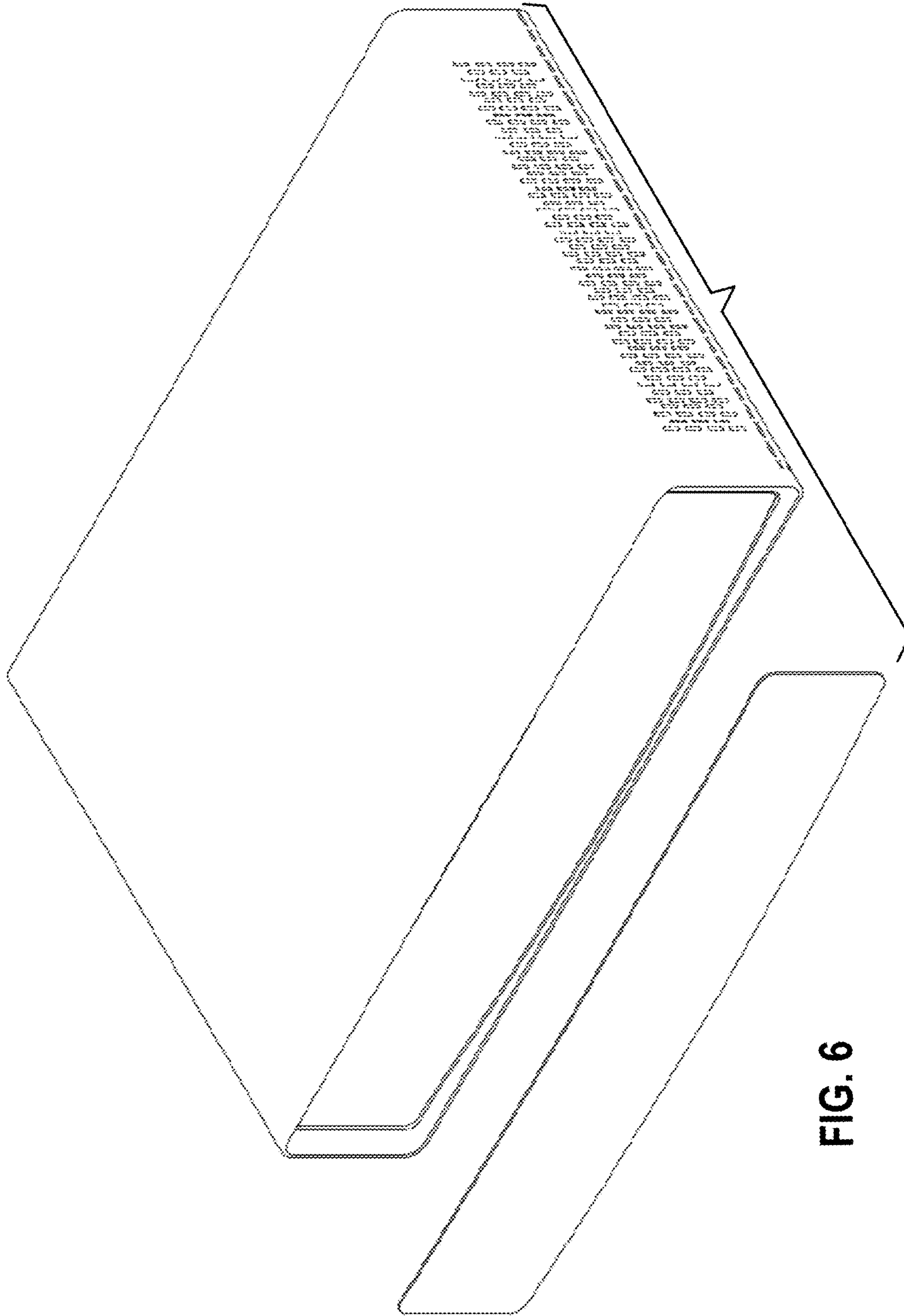


FIG. 6

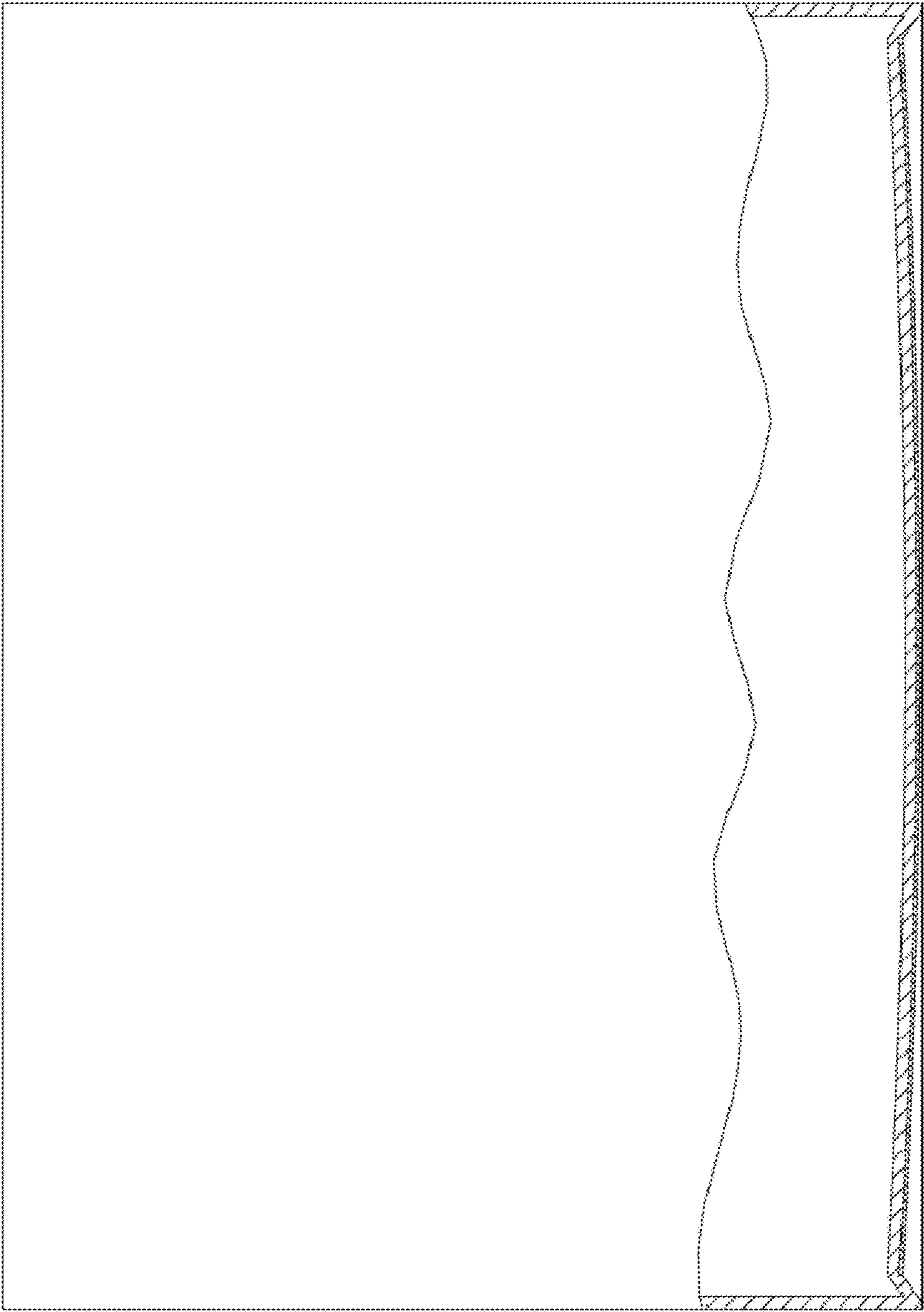


FIG. 7

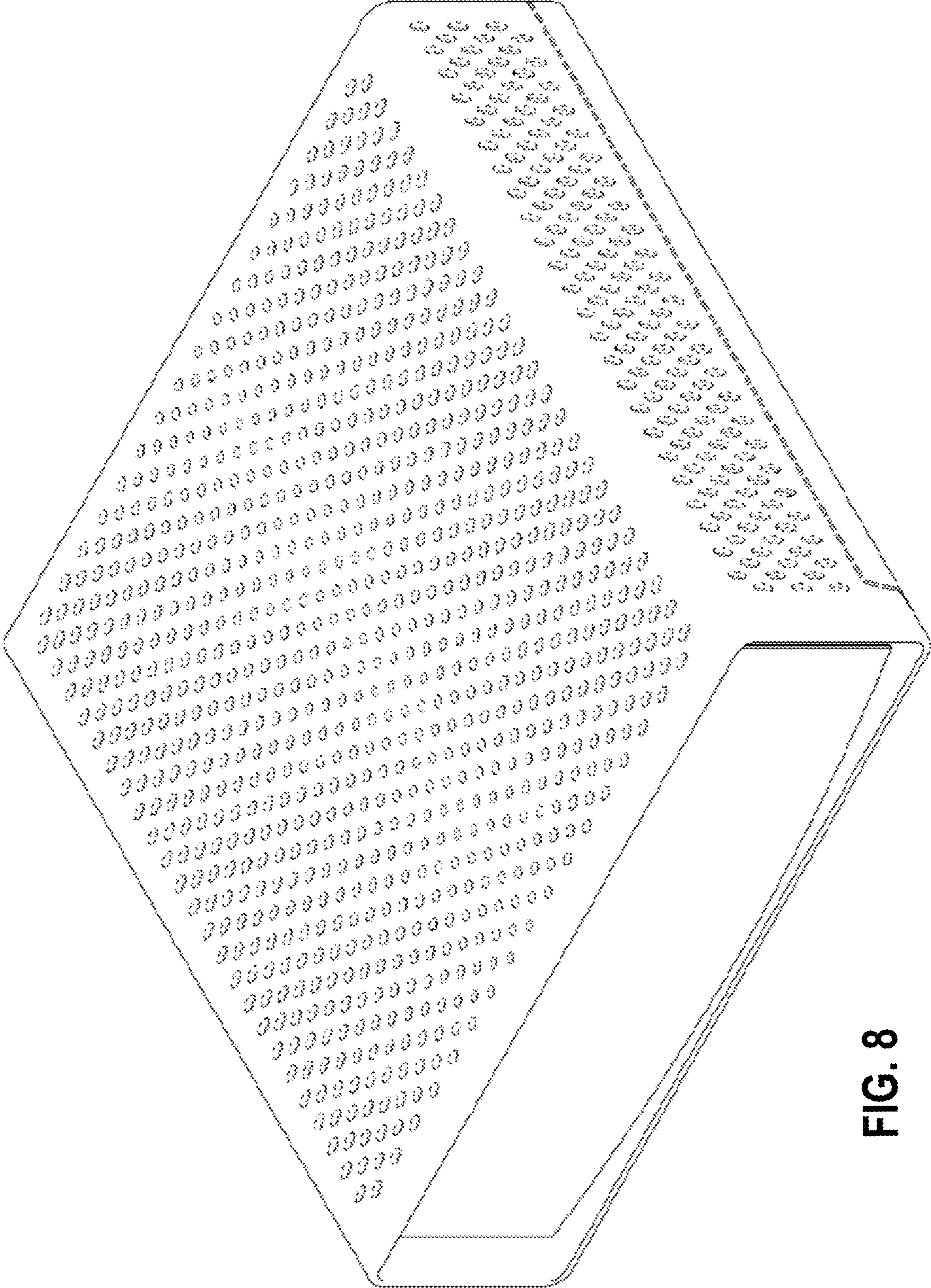


FIG. 8

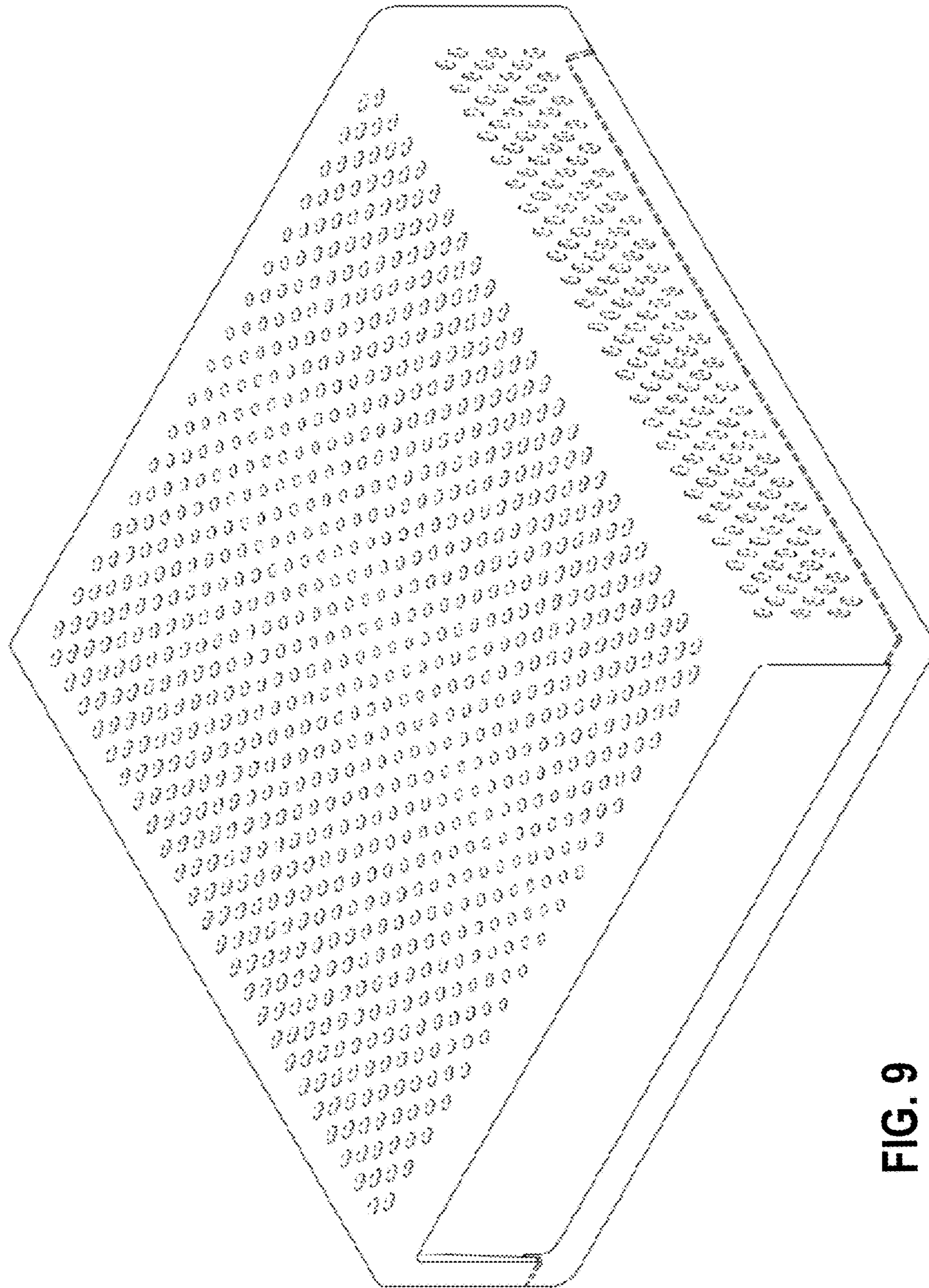


FIG. 9

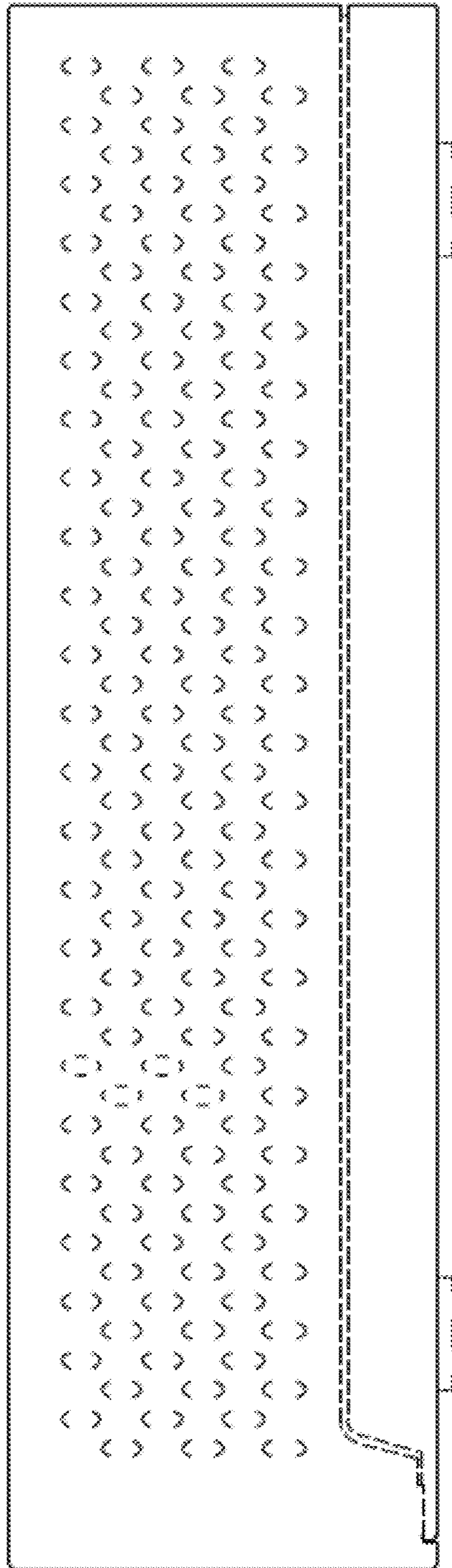


FIG. 10

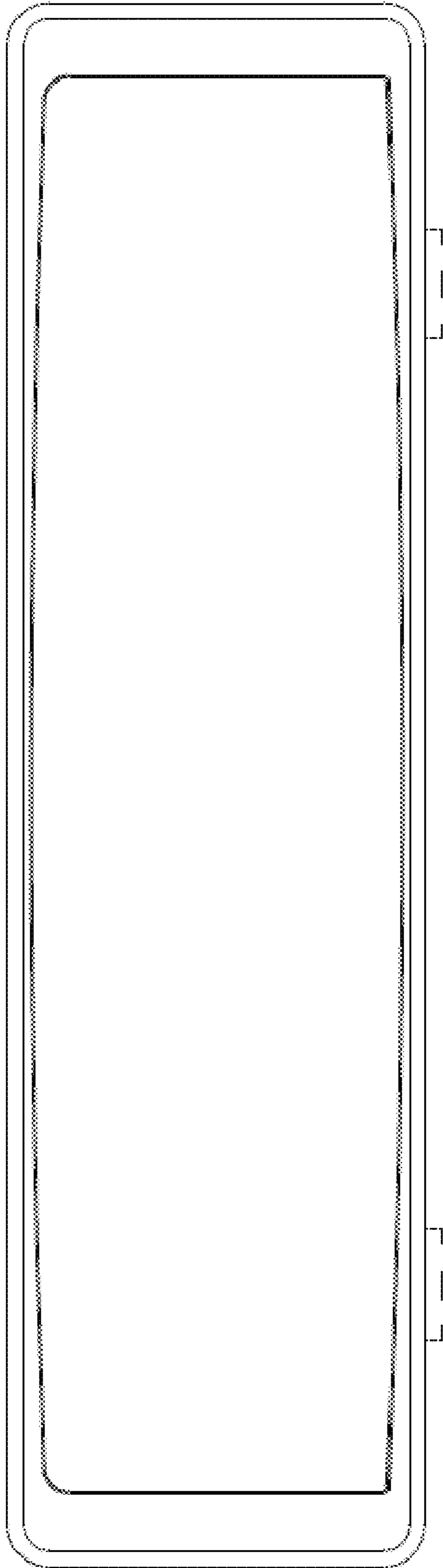


FIG. 11

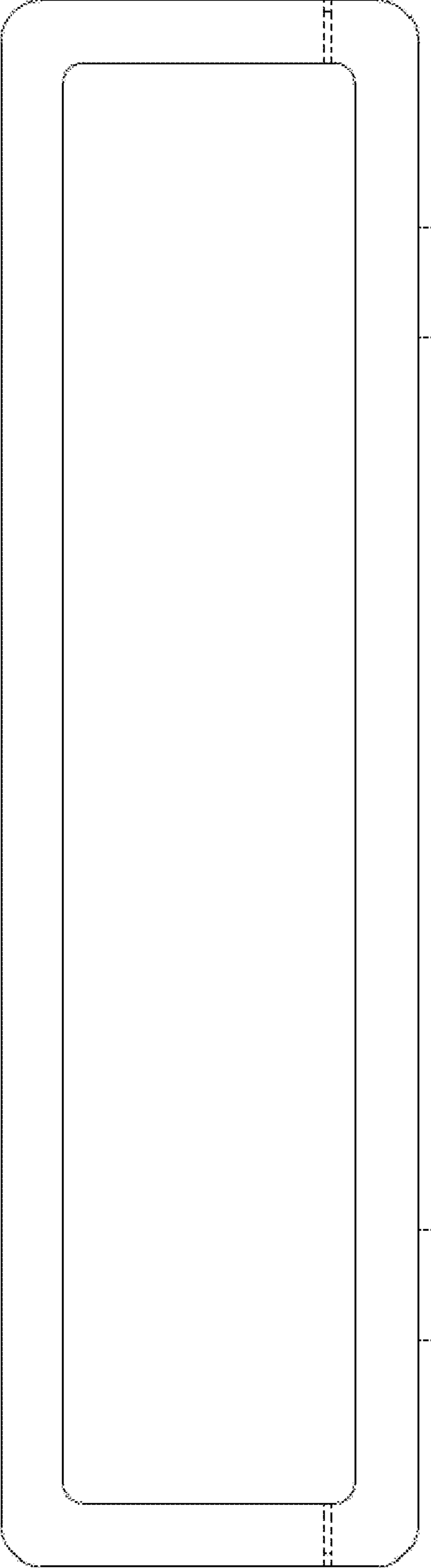


FIG. 12

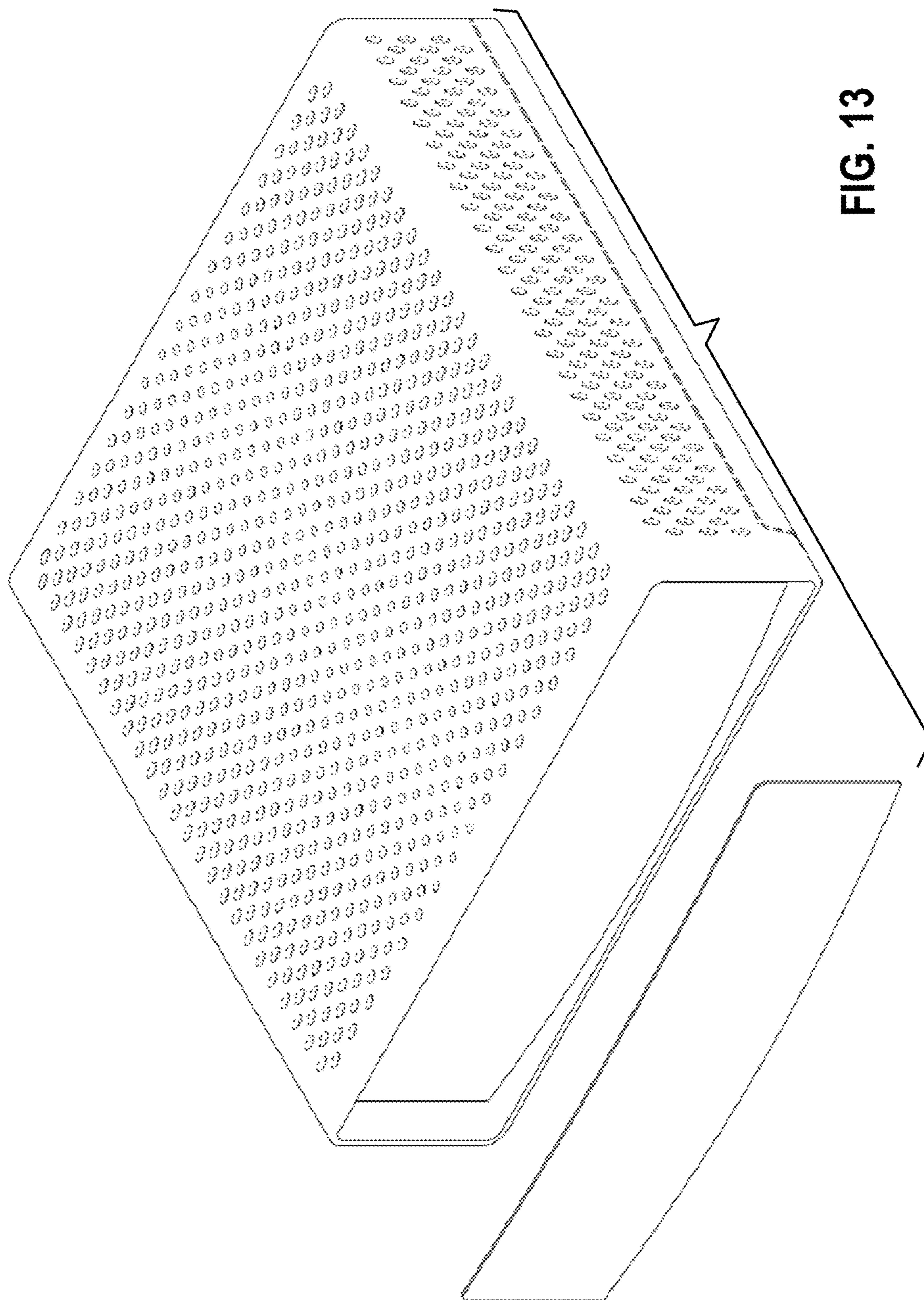


FIG. 13

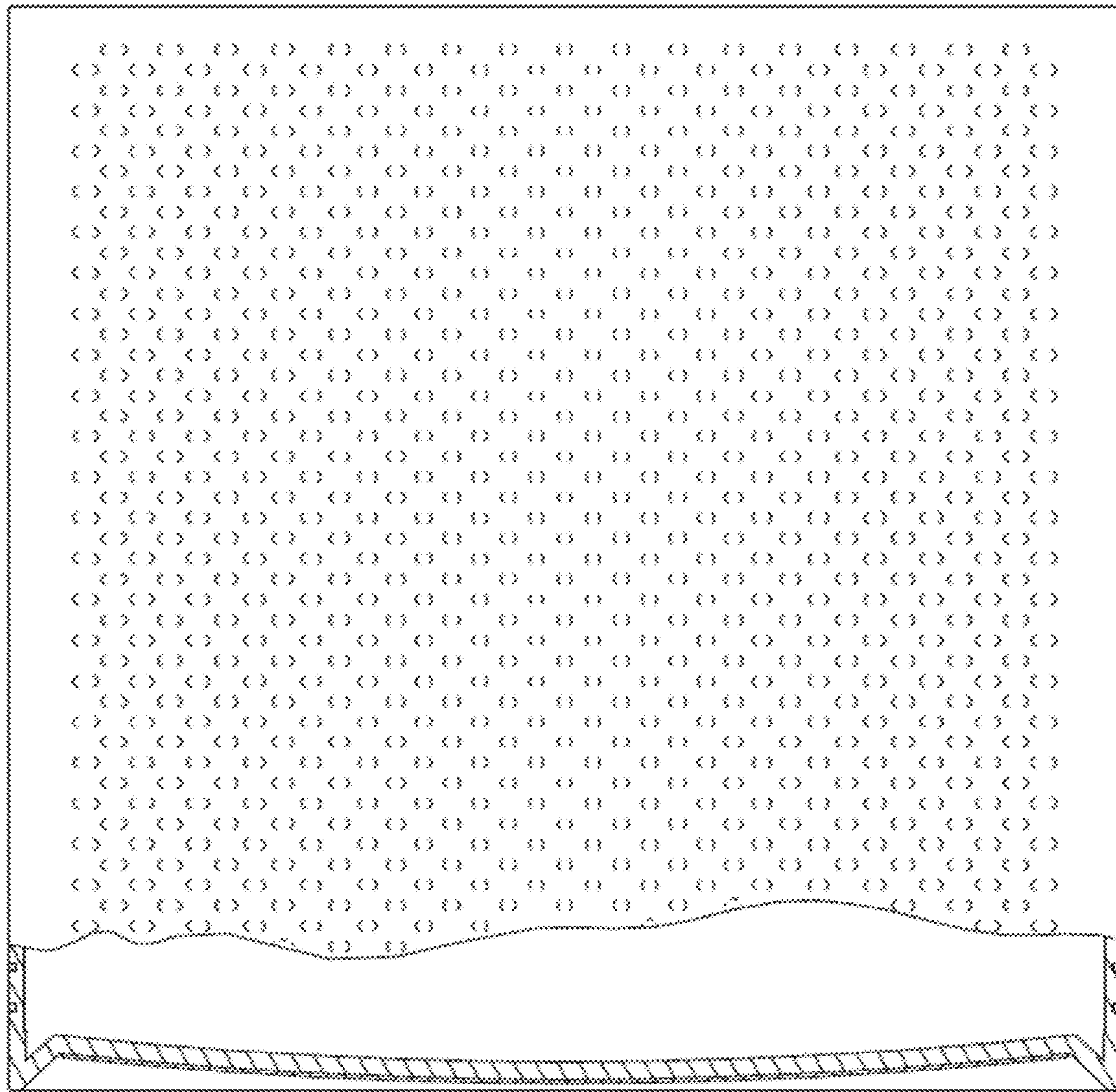


FIG. 14