



US00D781788S

(12) **United States Design Patent**  
**Seo et al.**

(10) **Patent No.:** **US D781,788 S**  
(45) **Date of Patent:** **\*\* Mar. 21, 2017**

(54) **SPLICE TRAY CABINET**

(71) Applicant: **Optical Cable Corporation**, Roanoke, VA (US)

(72) Inventors: **Sumio Seo**, Wallingford, VT (US); **Ian J. Timmins**, Asheville, NC (US)

(73) Assignee: **Optical Cable Corporation**, Roanoke, VA (US)

(\*\*) Term: **14 Years**

(21) Appl. No.: **29/522,413**

(22) Filed: **Mar. 31, 2015**

(51) **LOC (10) Cl.** ..... **13-03**

(52) **U.S. Cl.**  
USPC ..... **D13/152**

(58) **Field of Classification Search**  
USPC ..... D13/152, 184; D8/354; 385/92, 134, 385/135, 136, 137  
CPC ..... G02B 6/46; G02B 6/4455; G02B 6/4454  
See application file for complete search history.

(56) **References Cited**

**U.S. PATENT DOCUMENTS**

- 6,144,792 A \* 11/2000 Kim ..... H01S 3/06704 385/134
- 6,496,638 B1 \* 12/2002 Andersen ..... G02B 6/4454 385/135
- 2007/0047891 A1 \* 3/2007 Bayazit ..... G02B 6/4471 385/135

(Continued)

*Primary Examiner* — Wan Laymon

*Assistant Examiner* — Mark Booker

(74) *Attorney, Agent, or Firm* — The Van Winkle Law Firm; William G. Heedy; David M. Carter

(57) **CLAIM**

The ornamental design for a splice tray cabinet, as shown and described.

**DESCRIPTION**

FIG. 1 is a perspective view of a splice tray cabinet design according to a first embodiment, wherein the splice tray cabinet is in the open configuration.

FIG. 2 is a front elevational view of the splice tray cabinet design of FIG. 1.

FIG. 3 is a rear elevational view of the splice tray cabinet design of FIG. 1.

FIG. 4 is a right side elevational view of the splice tray cabinet design of FIG. 1.

FIG. 5 is a left side elevational view of the splice tray cabinet design of FIG. 1.

FIG. 6 is a top plan view of the splice tray cabinet design of FIG. 1.

FIG. 7 is a bottom plan view of the splice tray cabinet design of FIG. 1.

FIG. 8 is a perspective view of the splice tray cabinet design according to a second embodiment, wherein the splice tray cabinet is in the closed configuration.

FIG. 9 is a front elevational view of the splice tray cabinet design of FIG. 8.

FIG. 10 is a rear elevational view of the splice tray cabinet design of FIG. 8.

FIG. 11 is a right side elevational view of the splice tray cabinet design of FIG. 8.

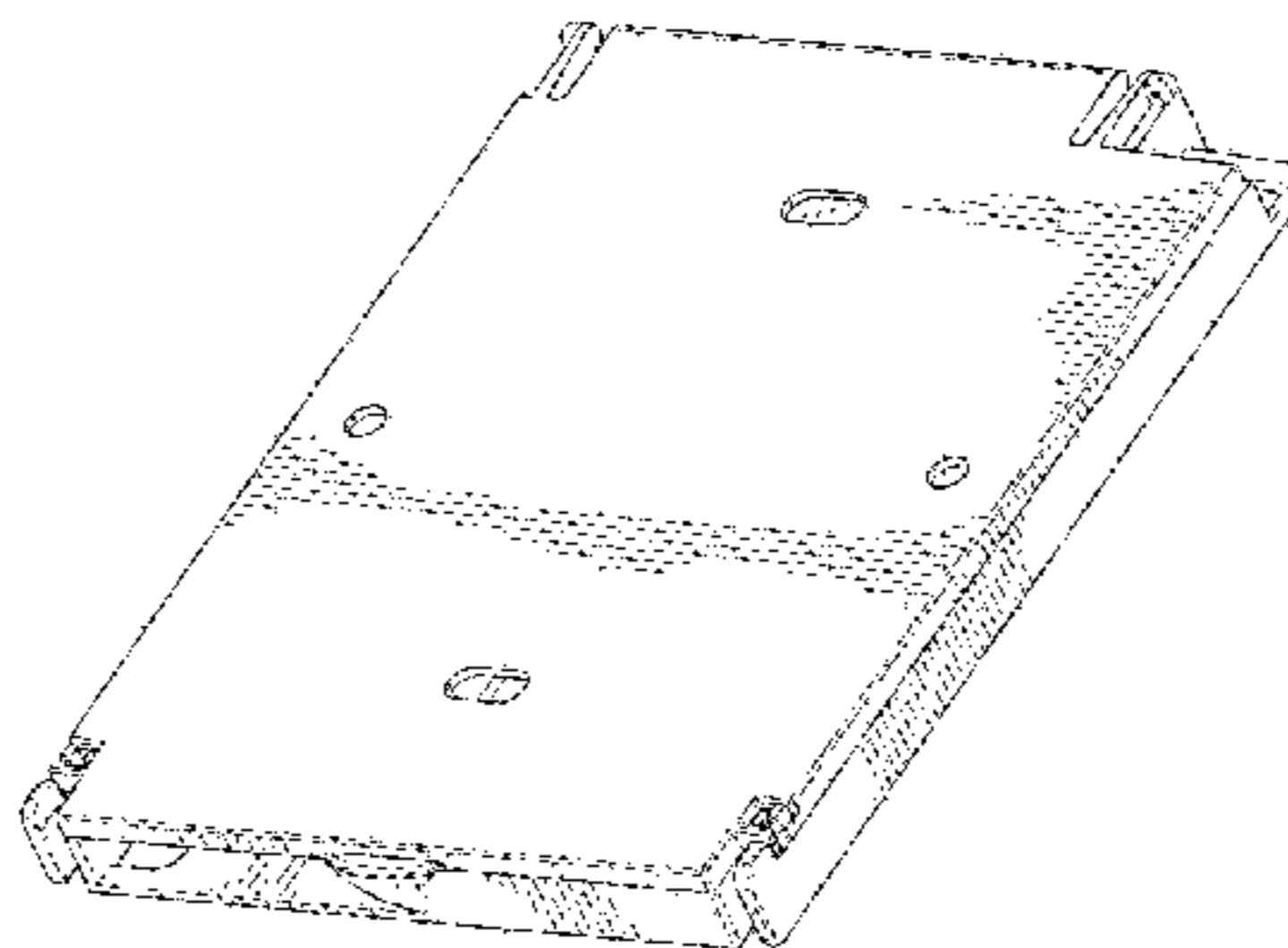
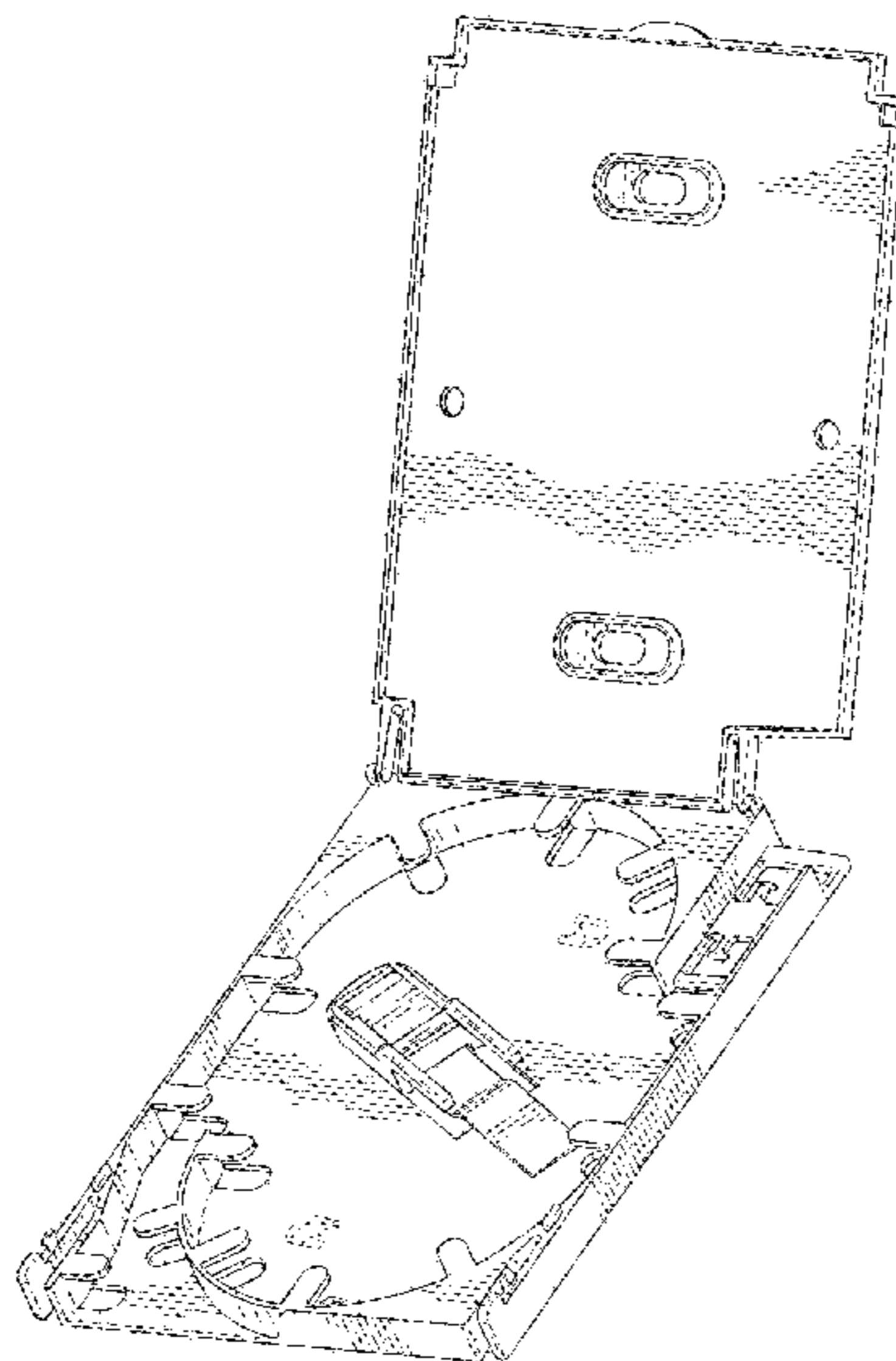
FIG. 12 is a left side elevational view of the splice tray cabinet design of FIG. 8.

FIG. 13 is a top plan view of the splice tray cabinet design of FIG. 8; and,

FIG. 14 is a bottom plan view of the splice tray cabinet design of FIG. 8.

In the drawings, the portions of the splice tray cabinet shown in broken lines form no part of the claimed design.

**1 Claim, 12 Drawing Sheets**



(56)

**References Cited**

U.S. PATENT DOCUMENTS

2007/0172192 A1\* 7/2007 Smrha ..... G02B 6/4454  
385/135  
2013/0343716 A1\* 12/2013 Kwon ..... G02B 6/445  
385/135

\* cited by examiner

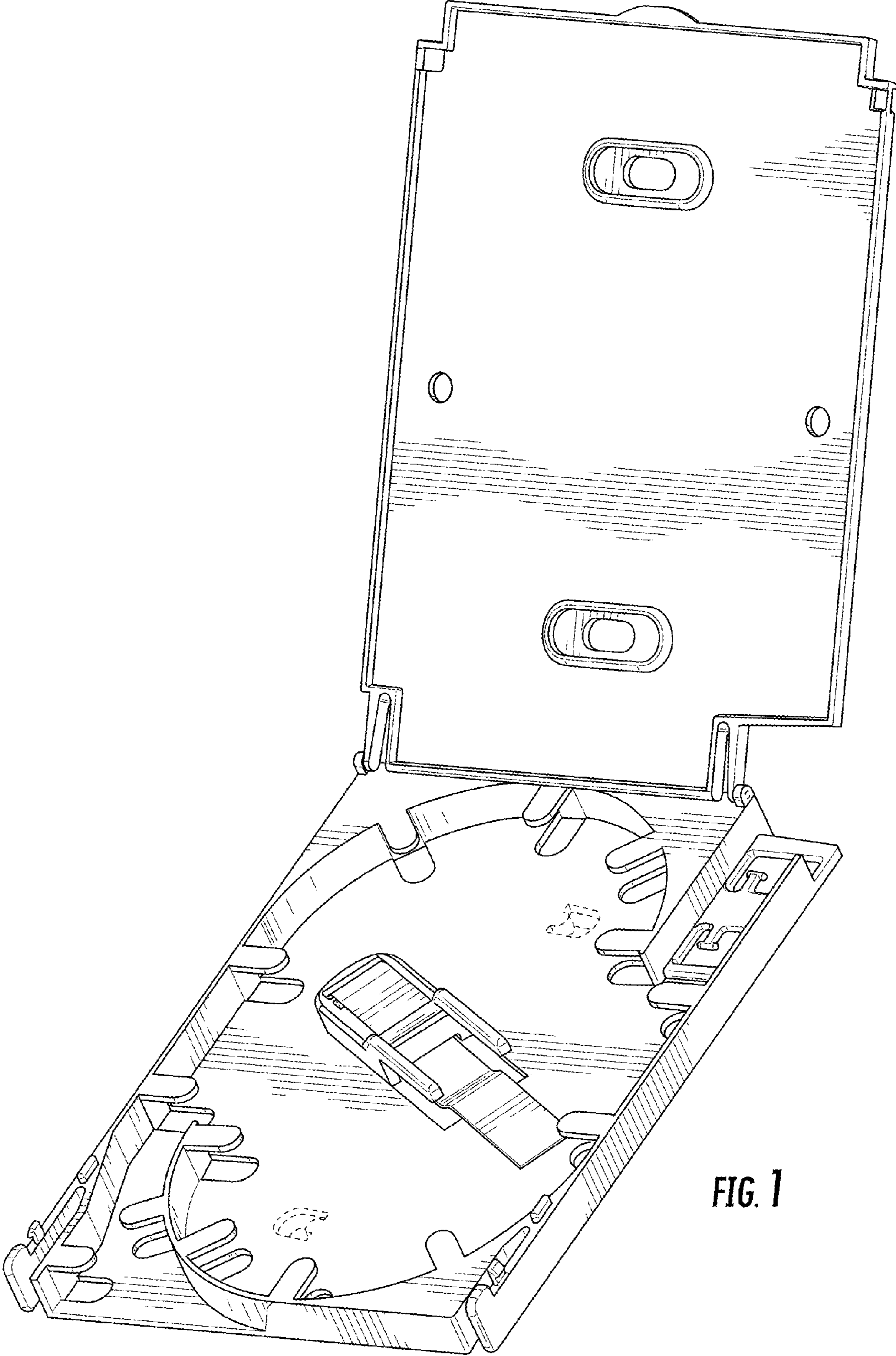


FIG. 1

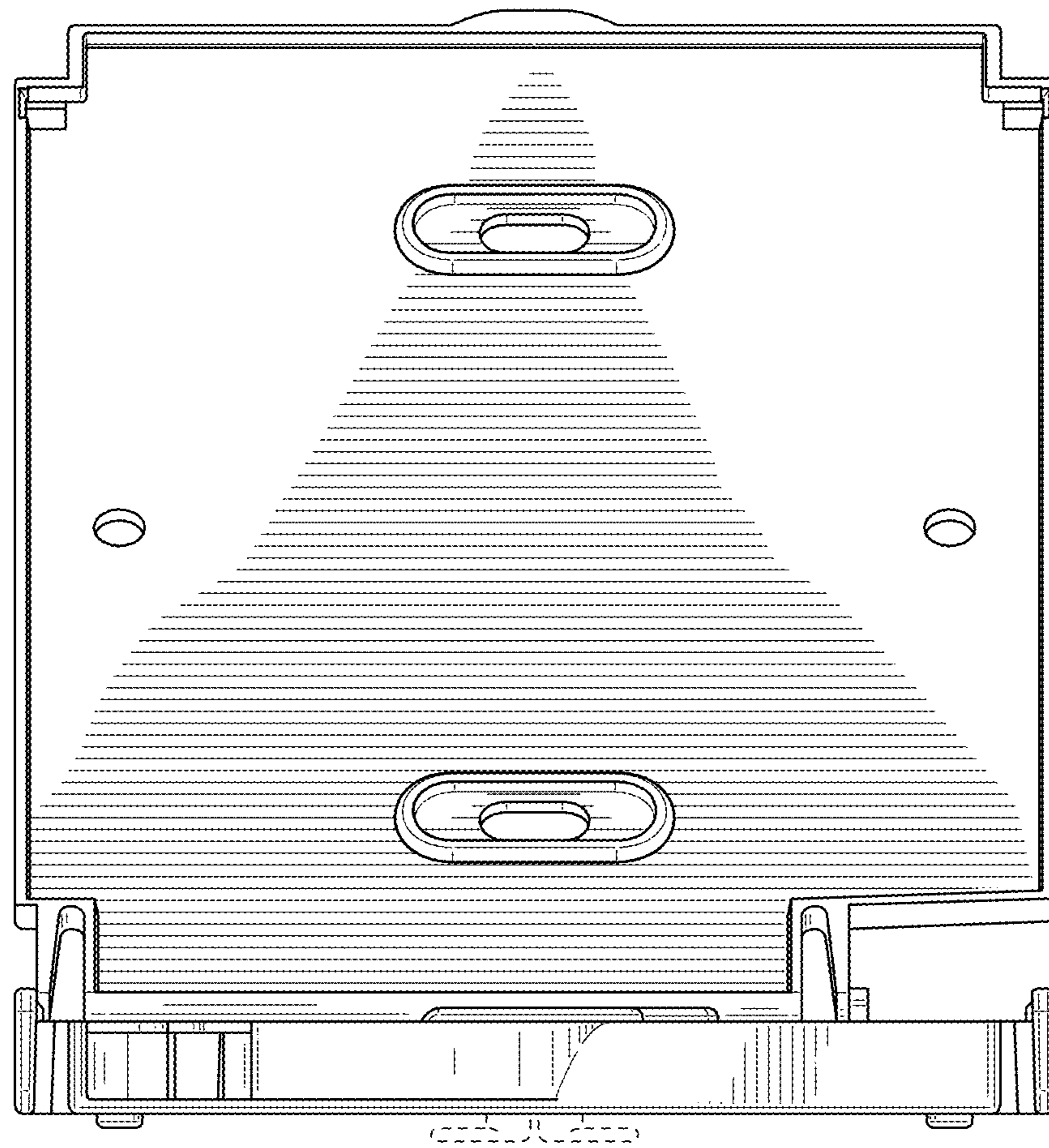
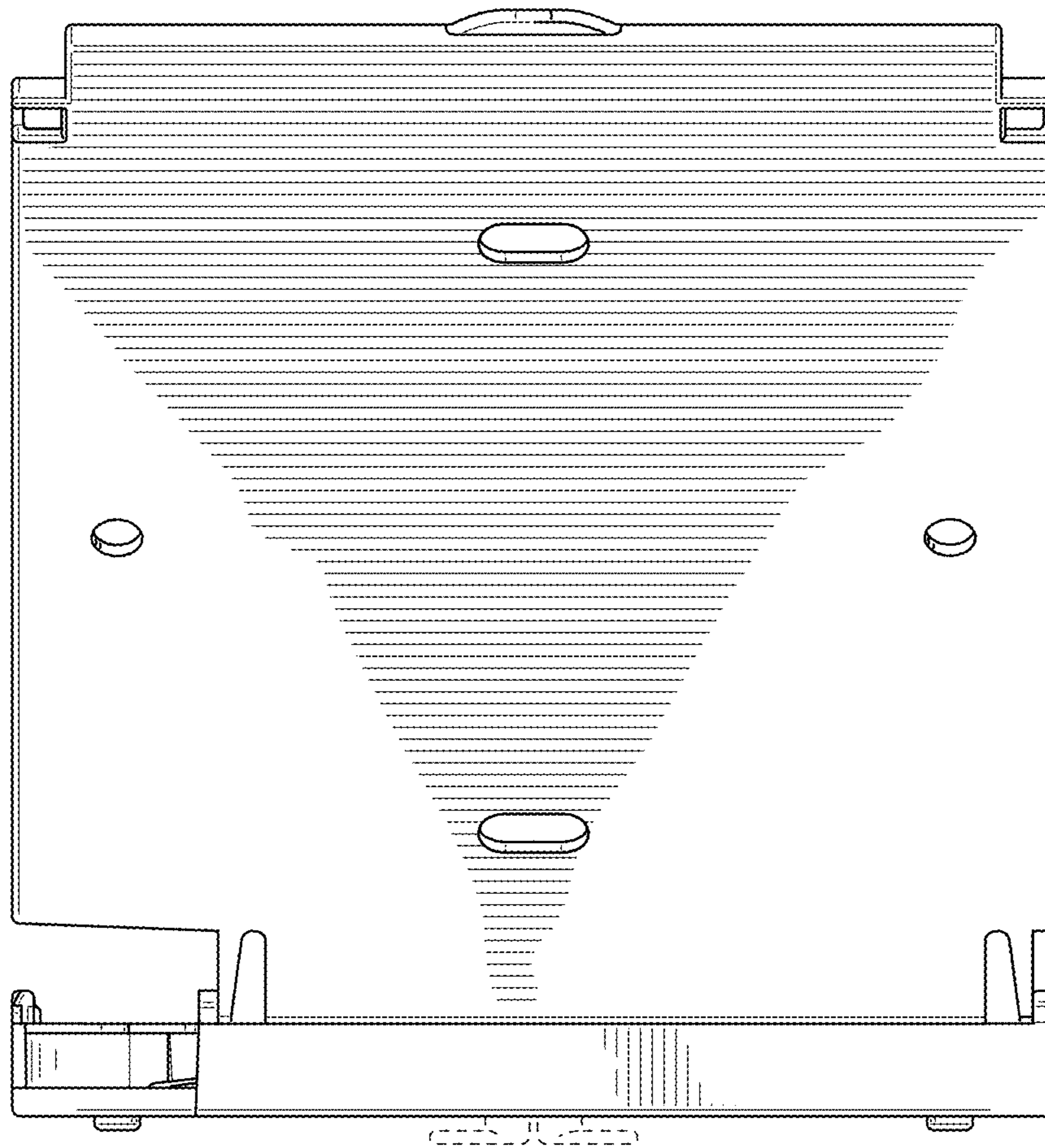


FIG. 2



**FIG. 3**



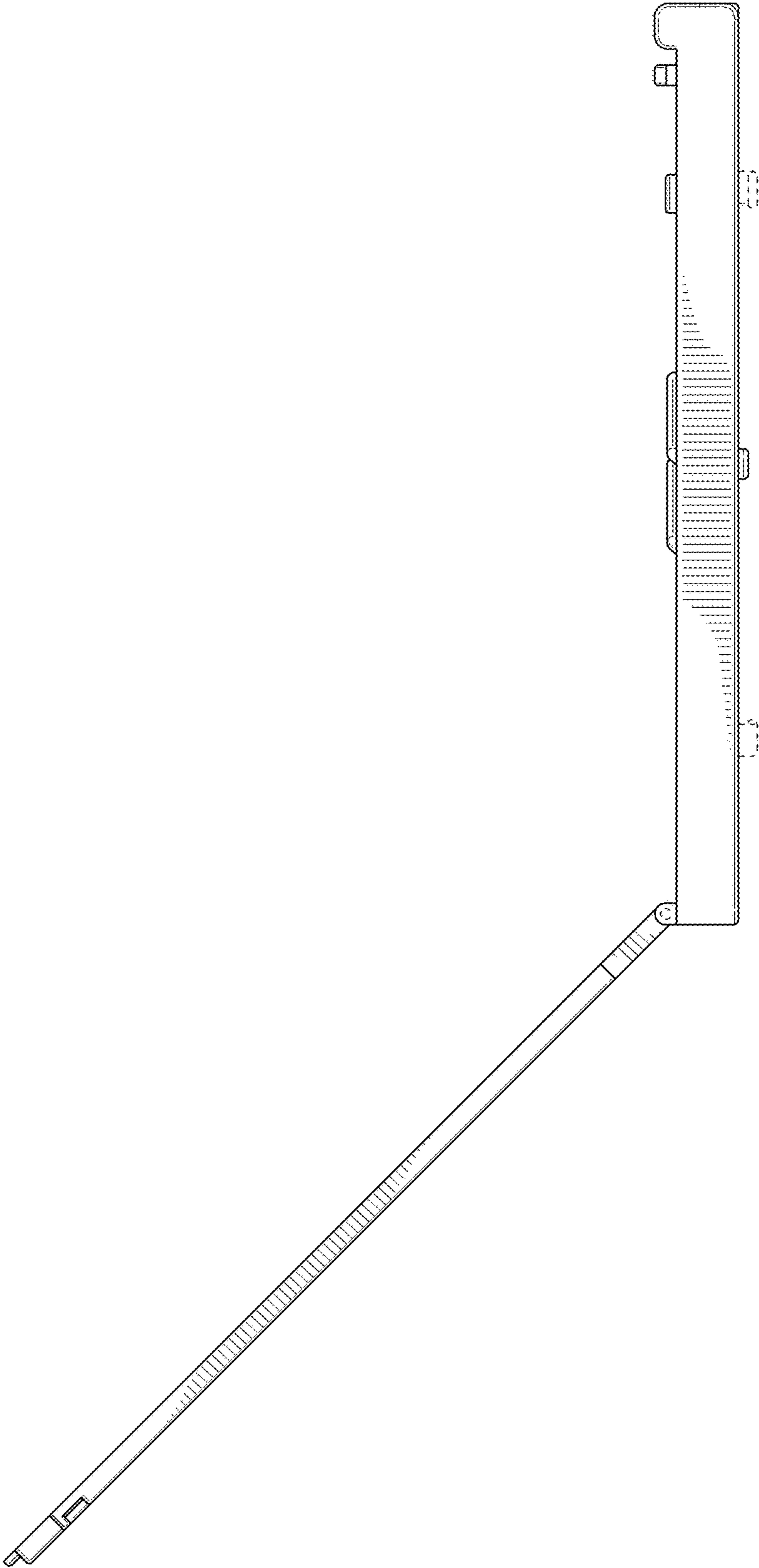


FIG. 4

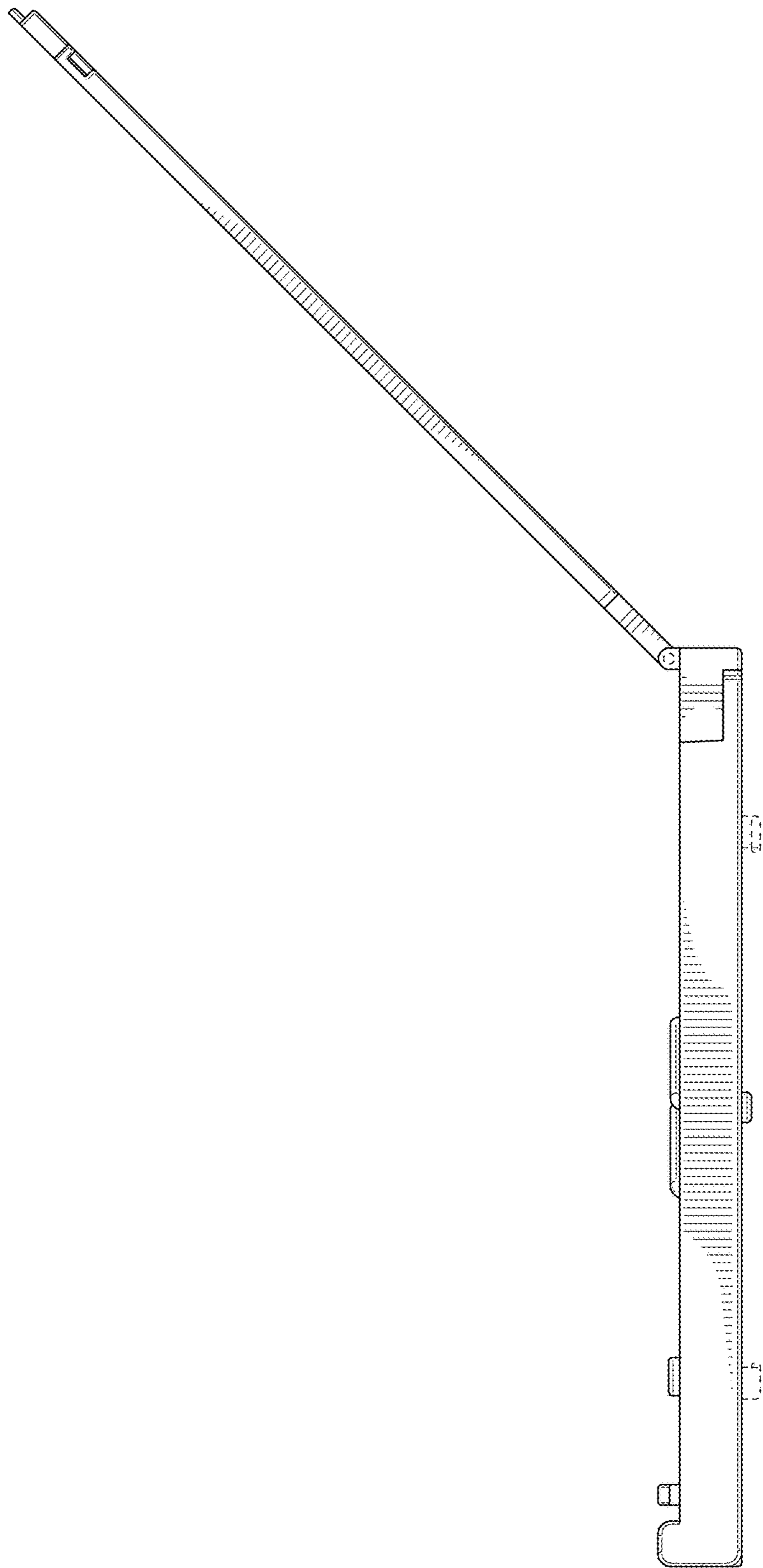


FIG. 5

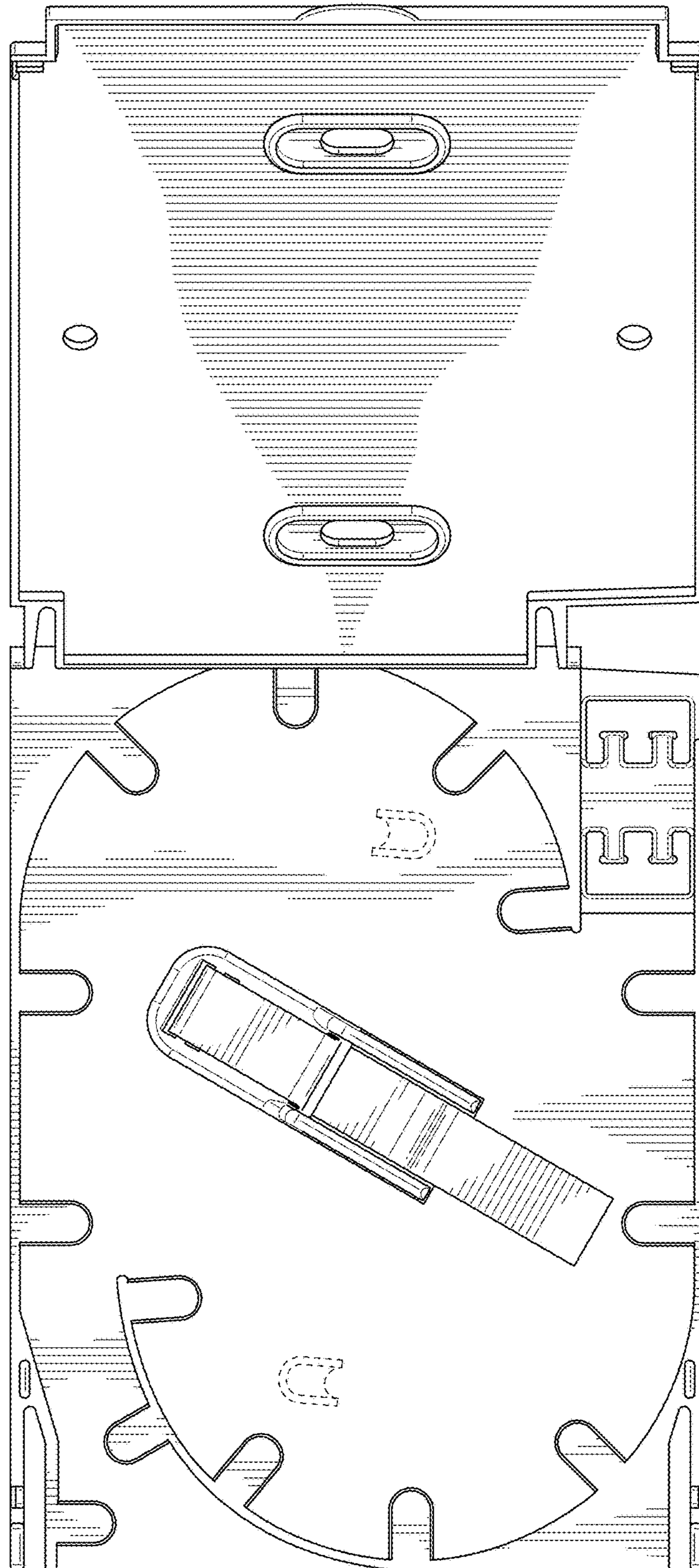


FIG. 6



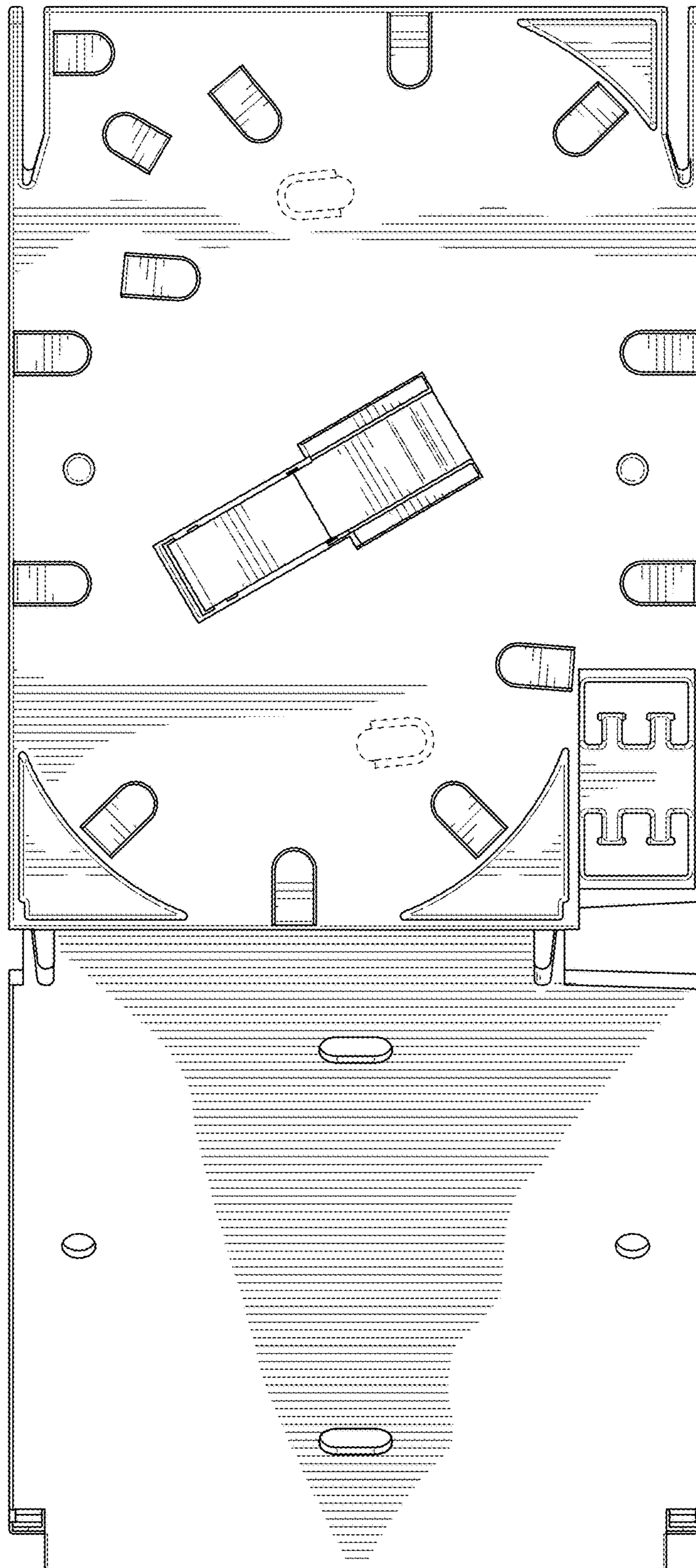


FIG. 7

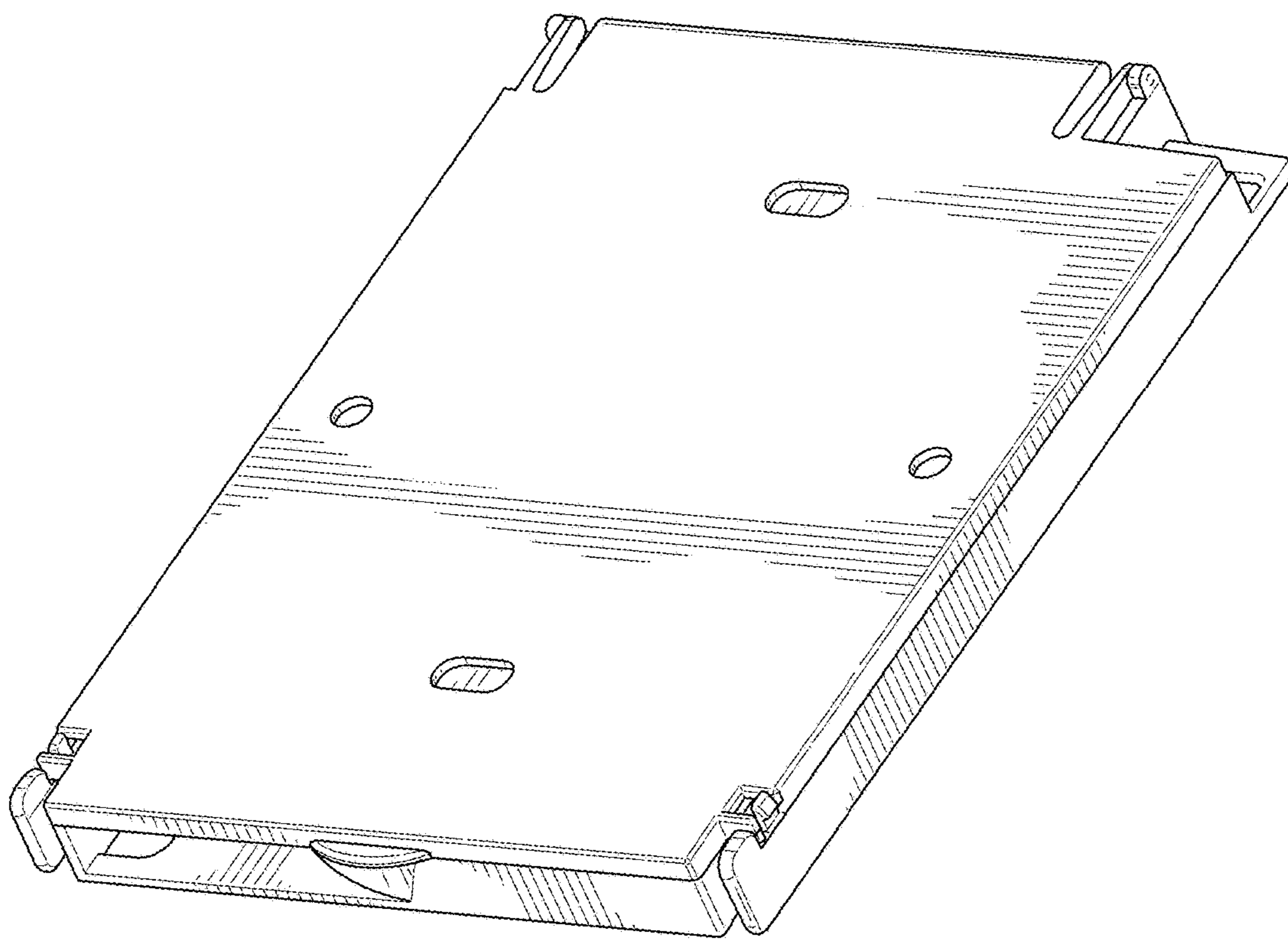
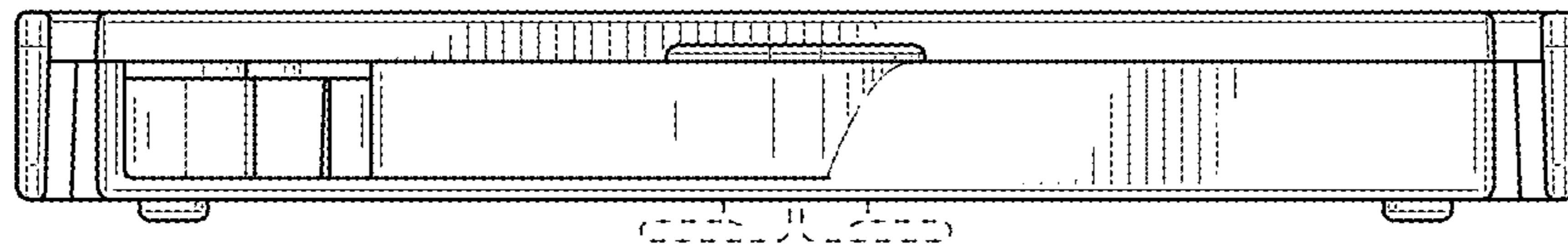
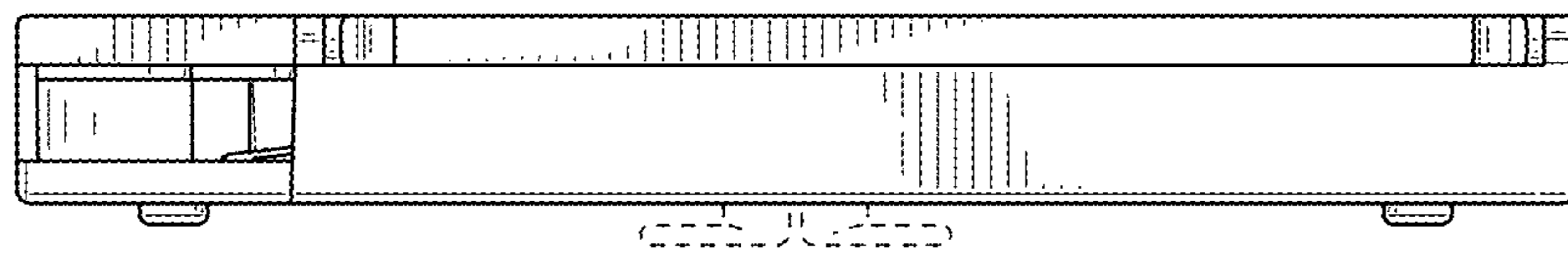


FIG. 8



**FIG. 9**



**FIG. 10**

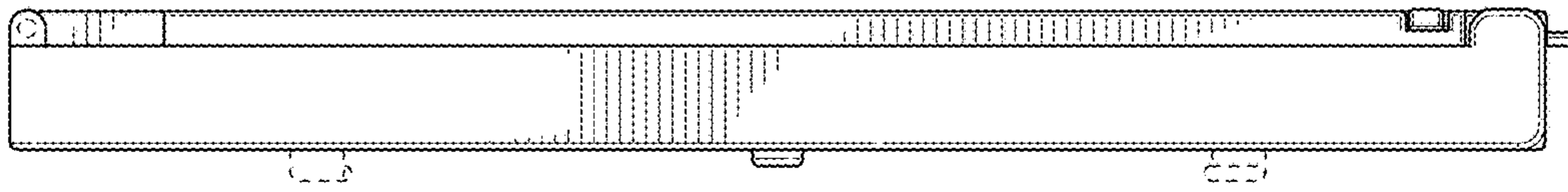


FIG. 11

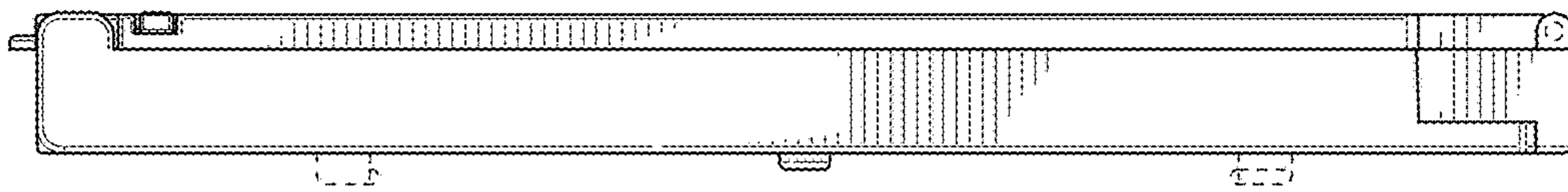


FIG. 12

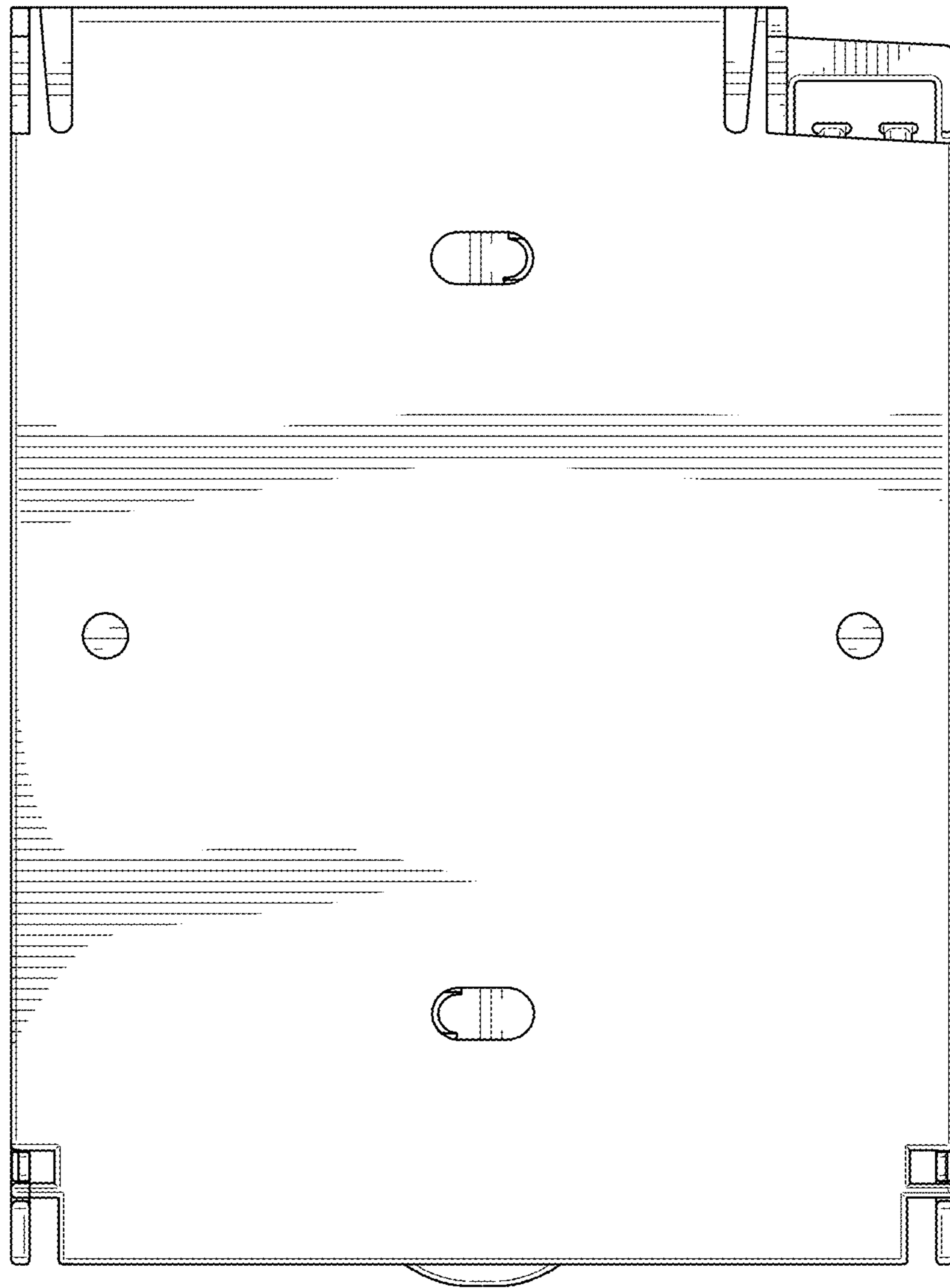


FIG. 13



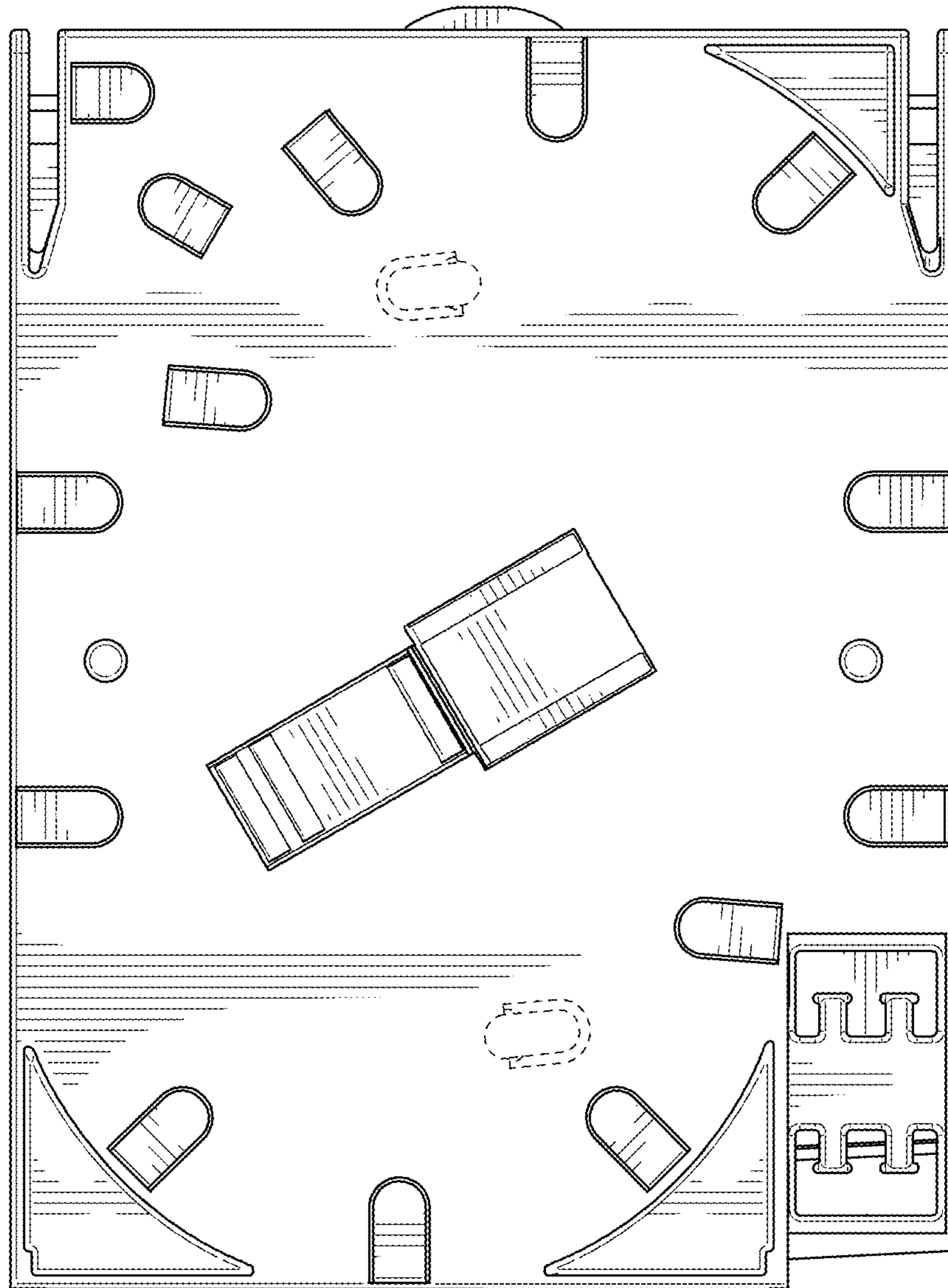


FIG. 14