



US00D781787S

(12) **United States Design Patent**
Spiel

(10) **Patent No.:** **US D781,787 S**

(45) **Date of Patent:** **** Mar. 21, 2017**

(54) **CONNECTOR**

(71) Applicant: **Cisco Technology, Inc.**, San Jose, CA (US)

(72) Inventor: **Seth Spiel**, San Francisco, CA (US)

(73) Assignee: **CISCO TECHNOLOGY, INC.**, San Jose, CA (US)

(**) Term: **15 Years**

(21) Appl. No.: **29/532,139**

(22) Filed: **Jul. 1, 2015**

(51) **LOC (10) Cl.** **13-03**

(52) **U.S. Cl.**
USPC **D13/151**; D13/149; D13/156

(58) **Field of Classification Search**
USPC D13/118, 123, 133-135, 146-151, 153, D13/154-156, 161, 173, 184, 199; D23/259, 262; D14/217
CPC ... H01R 4/00; H01R 4/60; H01R 4/66; H01R 13/00; H01R 13/40; H01R 13/44; H01R 13/52; H01R 13/58; H01R 13/62; H01R 13/64; H01R 13/66; H01R 24/38; H01R 43/00; H01R 43/18; H01R 43/22; H01R 9/05; G02B 6/38; H02G 3/06
See application file for complete search history.

(56) **References Cited**

U.S. PATENT DOCUMENTS

D239,943 S * 5/1976 Schwartz D13/161
D326,259 S * 5/1992 Studenski D13/156
D426,519 S * 6/2000 Huang D13/133
D551,972 S * 10/2007 Jacobs D9/445

D569,955 S * 5/2008 Chen D23/262
7,504,582 B1 * 3/2009 Chiu H02G 3/0675
174/650
D674,350 S * 1/2013 Hodge D13/155
D709,460 S * 7/2014 Clifton D13/156
D709,834 S * 7/2014 Liu D13/151
D721,334 S * 1/2015 Maines D13/151
2005/0153591 A1 * 7/2005 Milner H01R 13/5213
439/321
2011/0309071 A1 * 12/2011 Lin H02G 3/088
220/3.2

* cited by examiner

Primary Examiner — Thomas Johannes
Assistant Examiner — Shawn T Gingrich
(74) *Attorney, Agent, or Firm* — Polsinelli PC

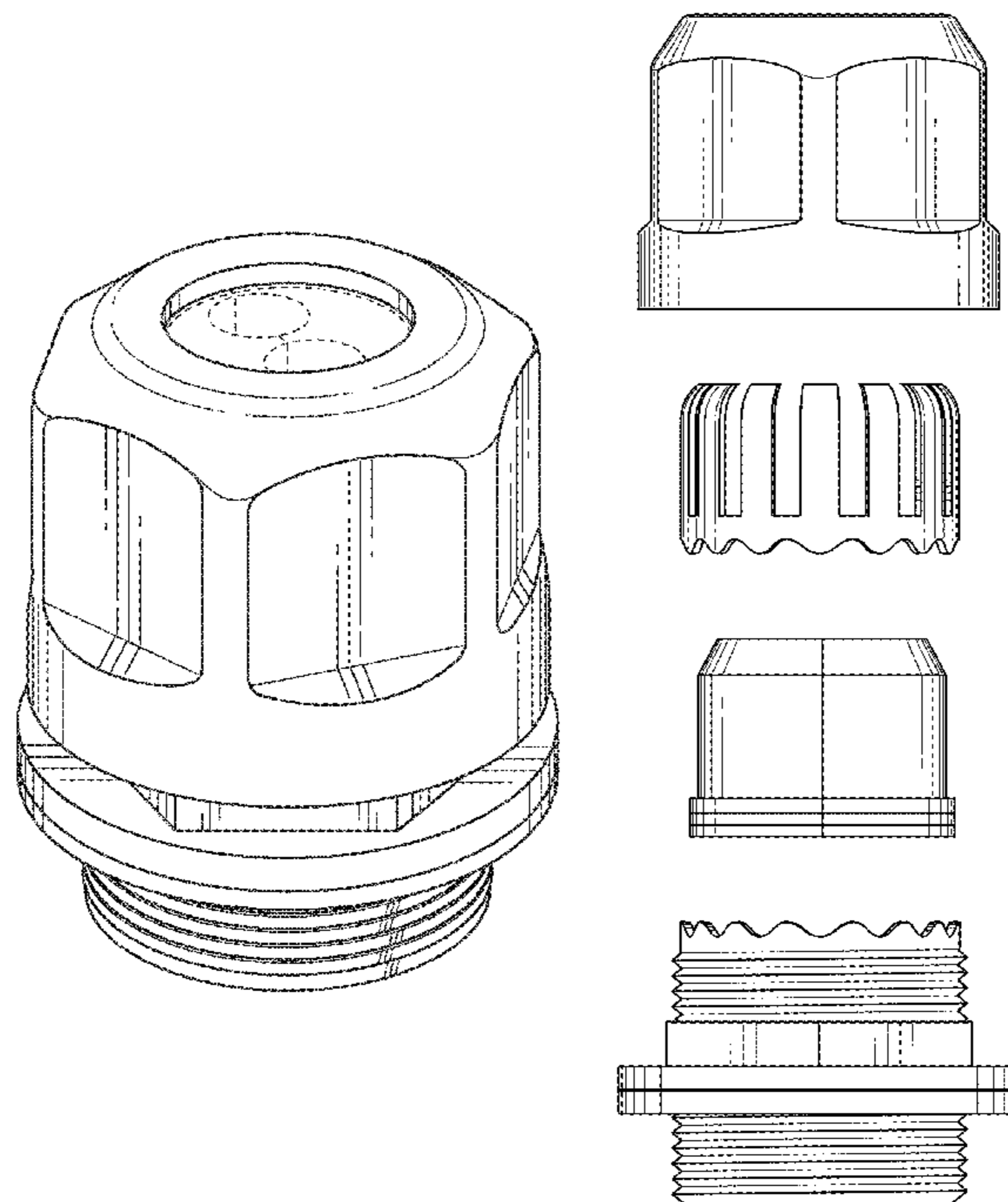
(57) **CLAIM**

I claim the ornamental design for a connector, as shown and described.

DESCRIPTION

FIG. 1 is a perspective view of an embodiment of a connector, showing my new design; FIG. 2 is a top plan view thereof; FIG. 3 is a bottom plan view thereof; FIG. 4 is a front elevational view thereof; FIG. 5 is a rear elevational view thereof; FIG. 6 is an exploded view thereof; FIG. 7 is an exploded environmental view thereof; and, FIG. 8 is an environmental perspective view thereof. The broken lines in FIGS. 1-3 creating the outer most circle are for illustrating a claim boundary, the broken lines in FIG. 8 are for illustrating an environment related to the claimed design and all other broken lines are for illustrating unclaimed portions of the connector; the broken lines form no part of the claimed design.

1 Claim, 8 Drawing Sheets



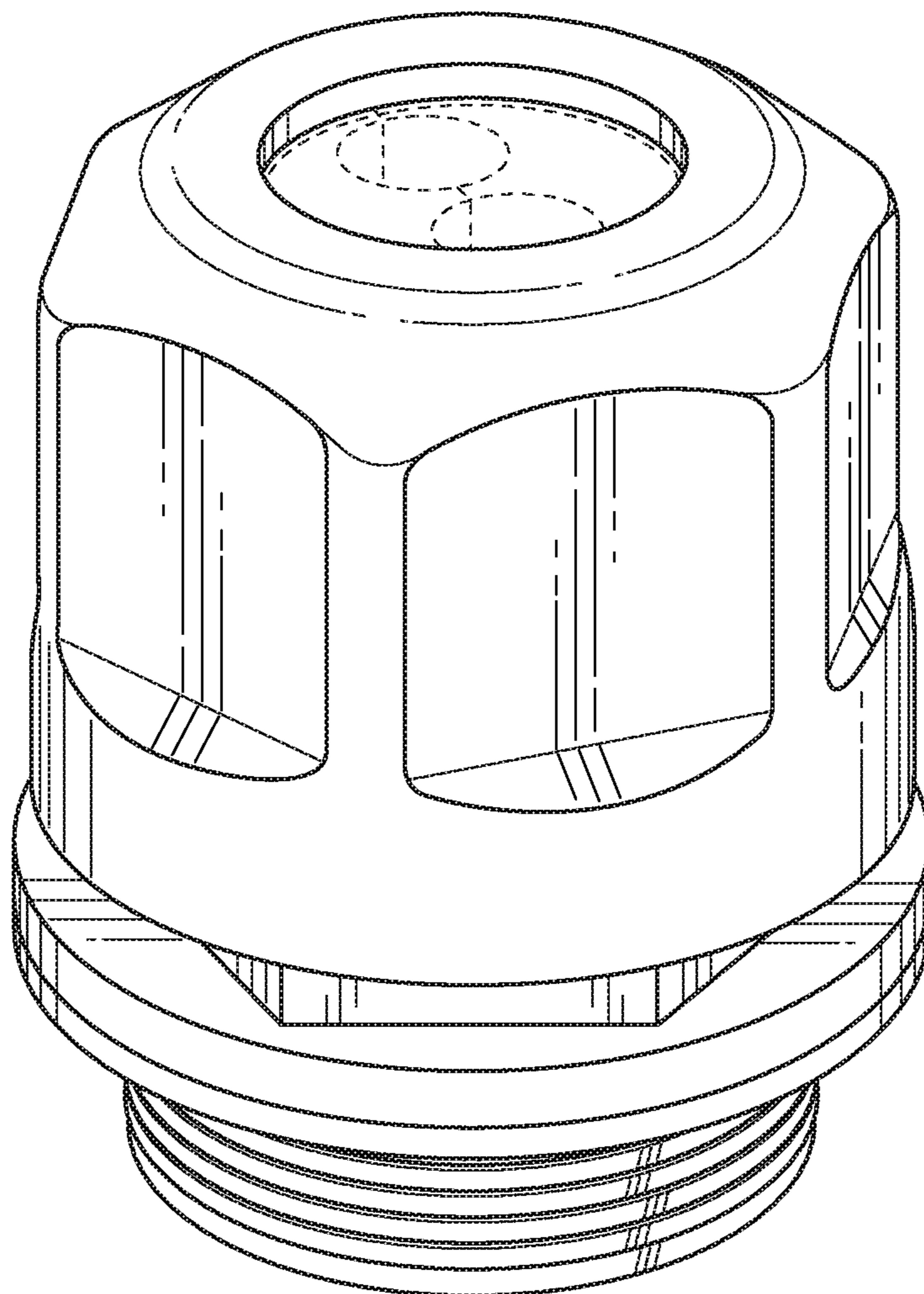


FIG. 1

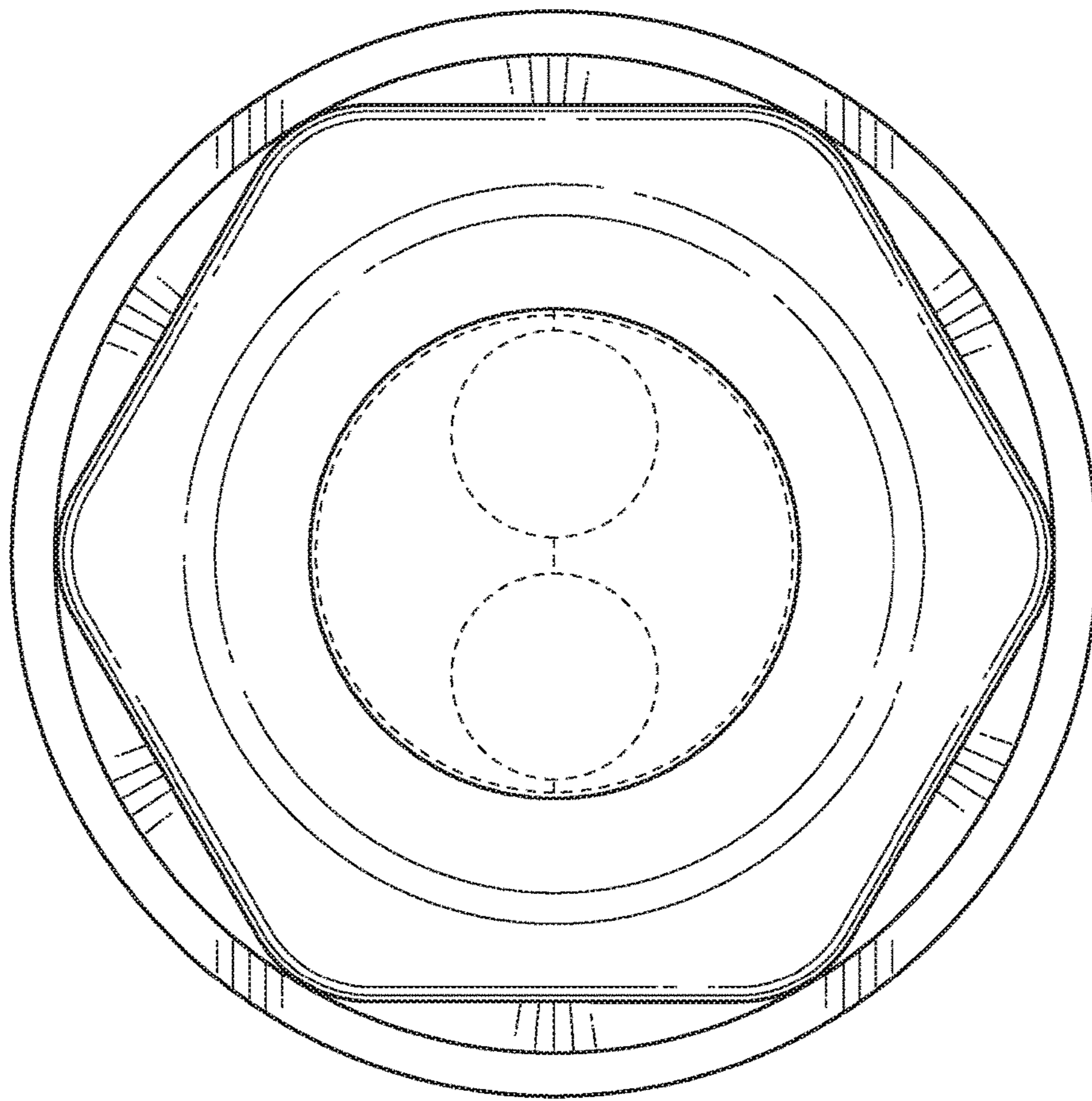


FIG. 2

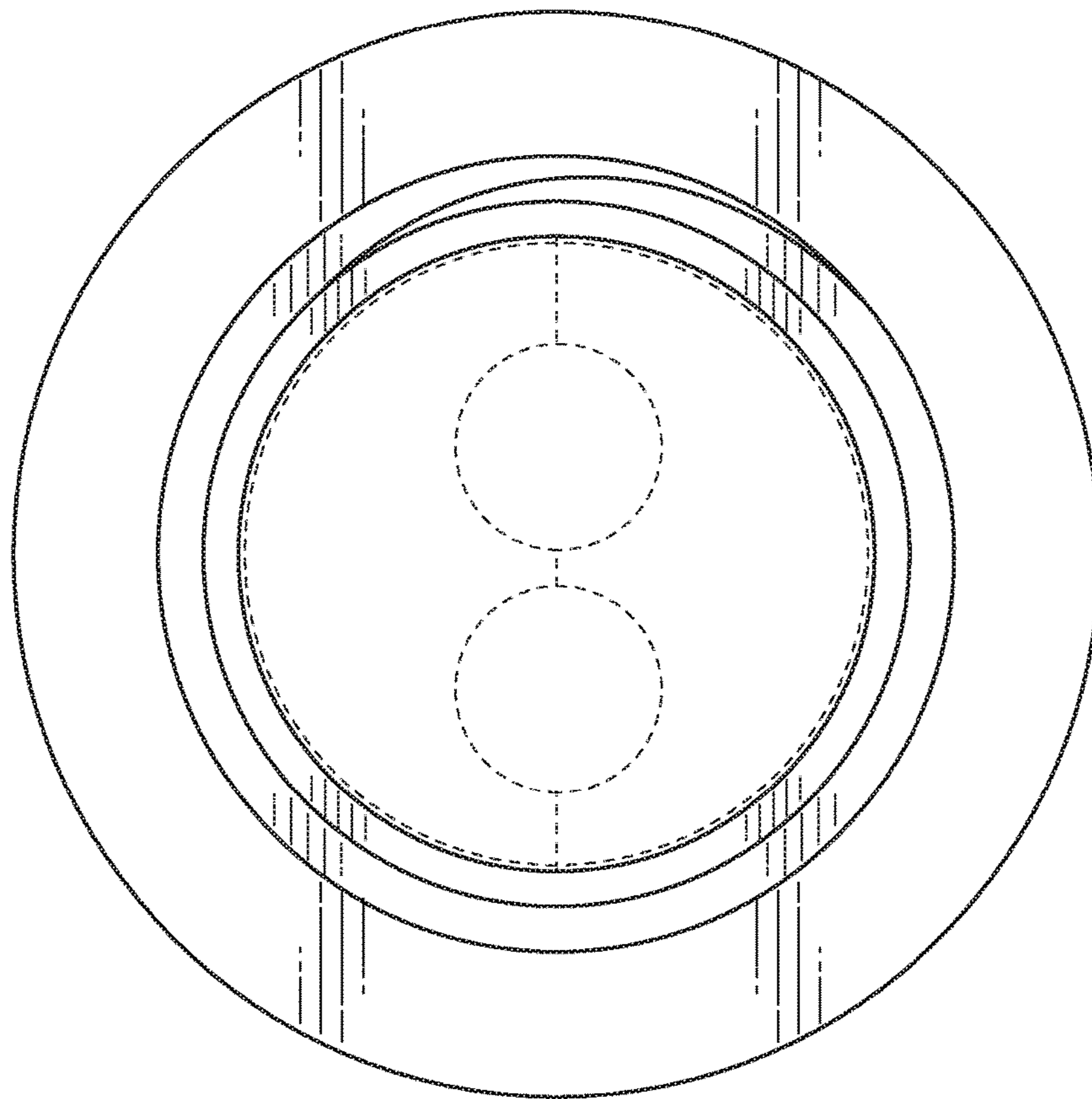


FIG. 3

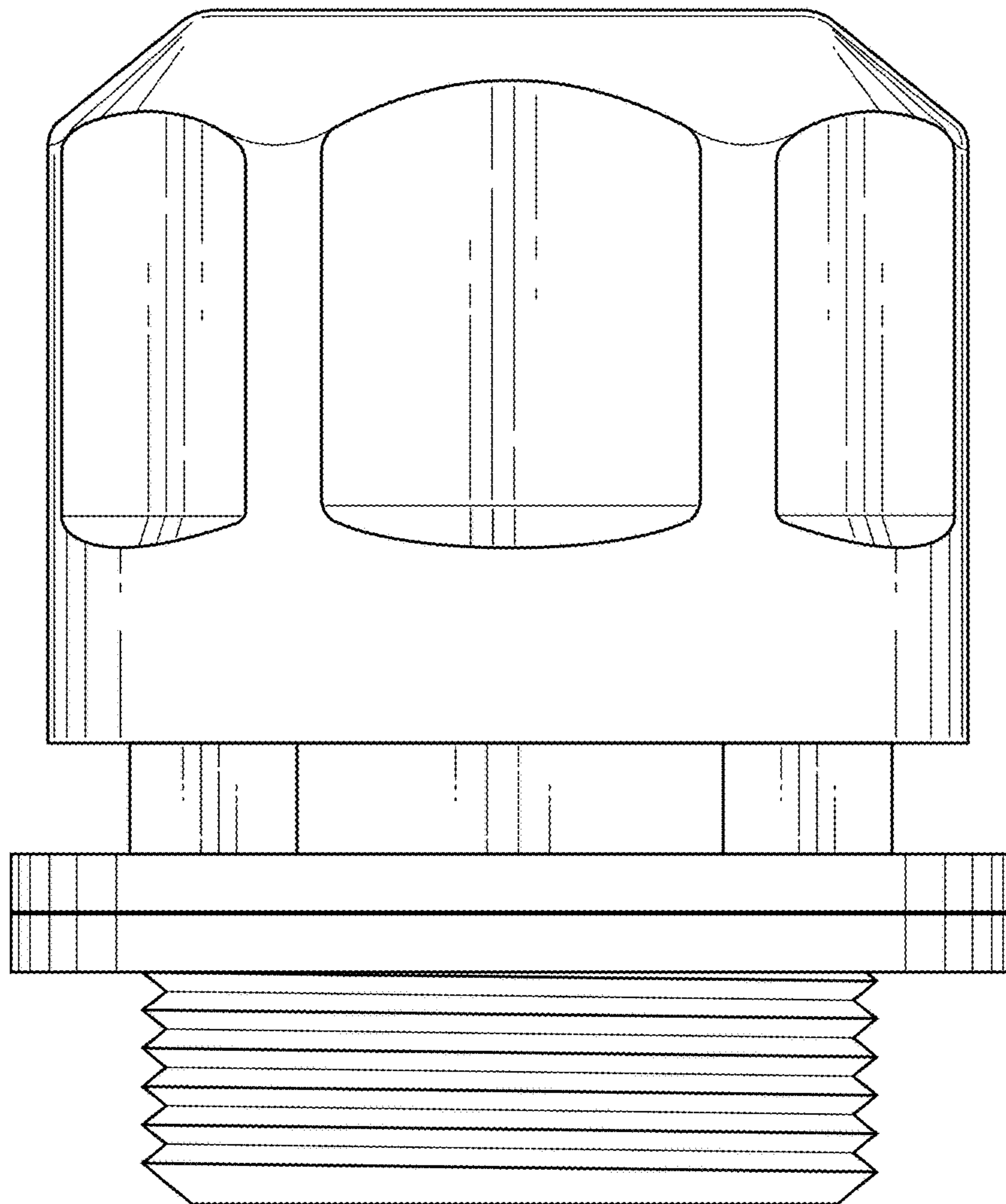


FIG. 4

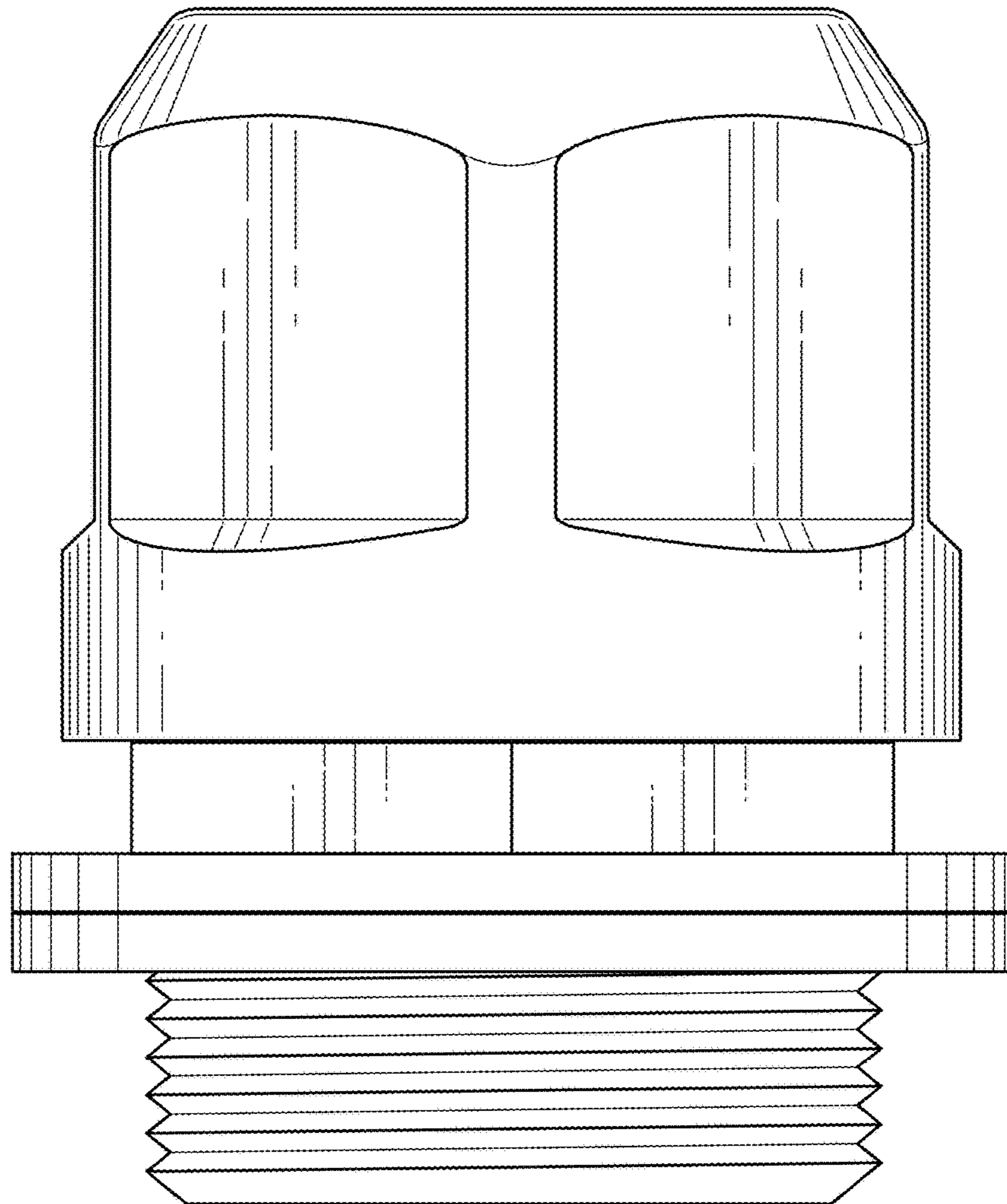


FIG. 5

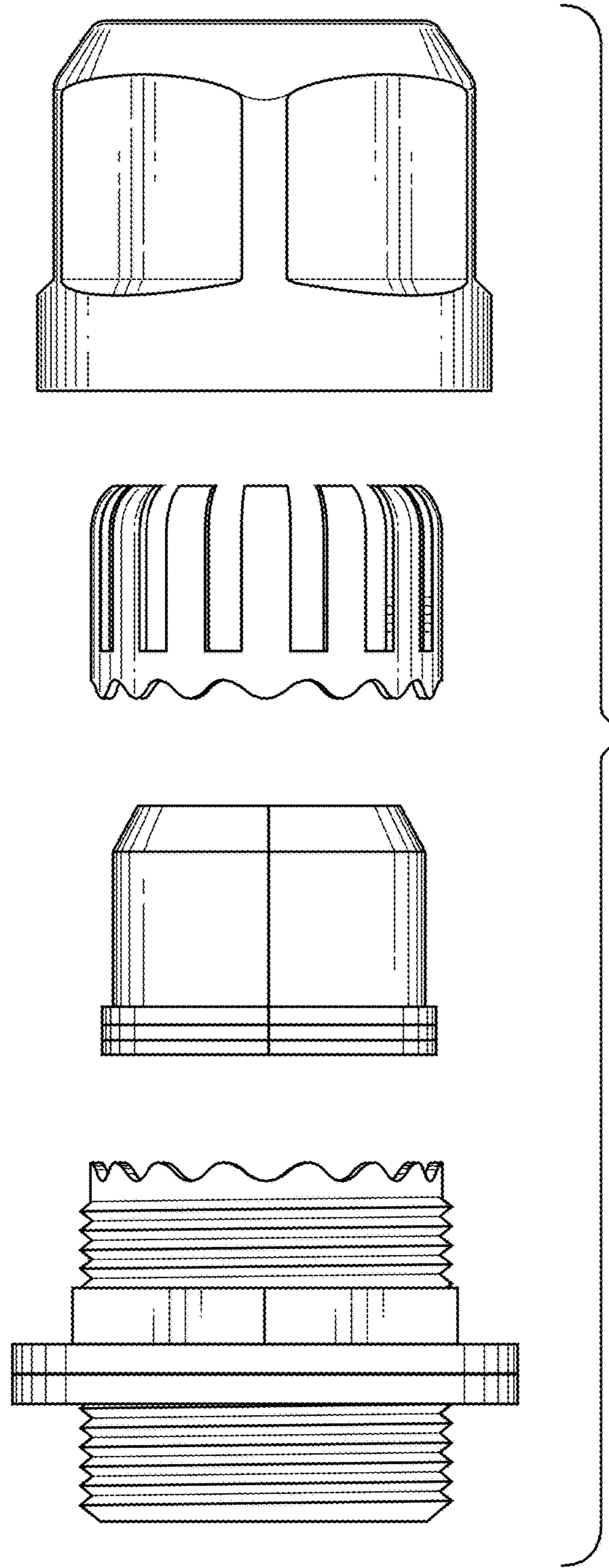


FIG. 6

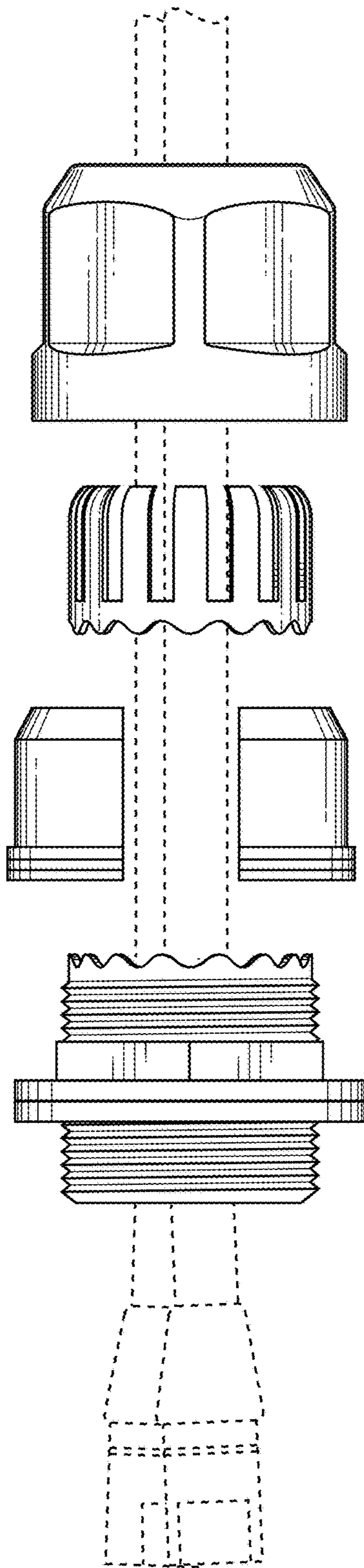


FIG. 7

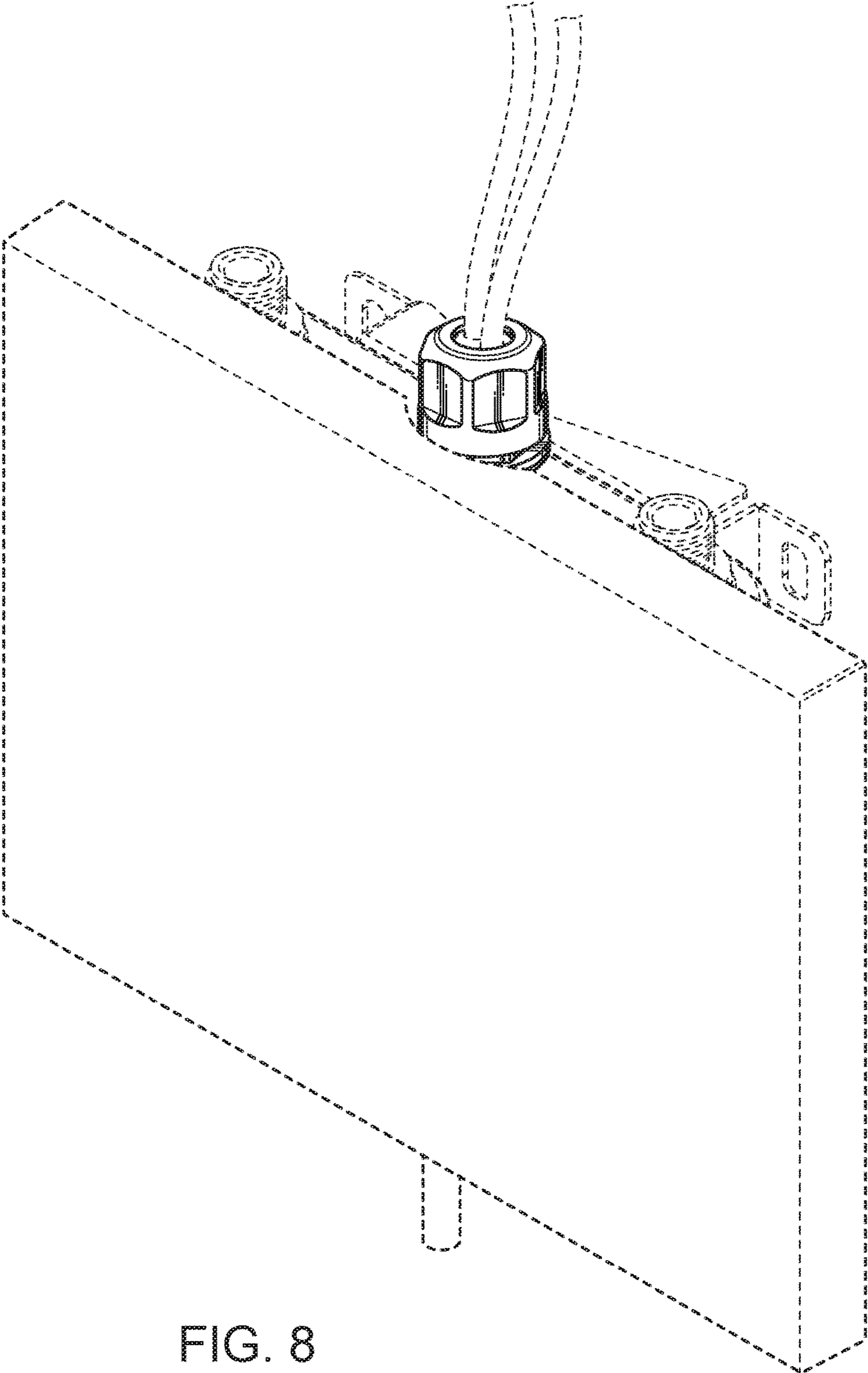


FIG. 8