



US00D781786S

(12) **United States Design Patent**
Akana et al.

(10) **Patent No.:** **US D781,786 S**
(45) **Date of Patent:** **** Mar. 21, 2017**

(54) **ADAPTER**

(71) Applicant: **Apple Inc.**, Cupertino, CA (US)

(72) Inventors: **Jody Akana**, San Francisco, CA (US);
Bartley K. Andre, Palo Alto, CA (US);
Jeremy Bataillou, San Francisco, CA (US);
Daniel J. Coster, San Francisco, CA (US);
Daniele De Iuliis, San Francisco, CA (US);
M. Evans Hankey, San Francisco, CA (US);
Julian Hoenig, San Francisco, CA (US);
Richard P. Howarth, San Francisco, CA (US);
Jonathan P. Ive, San Francisco, CA (US);
Duncan Robert Kerr, San Francisco, CA (US);
Shin Nishibori, Kailua, HI (US);
Matthew Dean Rohrbach, San Francisco, CA (US);
Peter Russell-Clarke, San Francisco, CA (US);
Christopher J. Stringer, Woodside, CA (US);
Eugene Antony Whang, San Francisco, CA (US);
Rico Zörkendörfer, San Francisco, CA (US)

(73) Assignee: **Apple Inc.**, Cupertino, CA (US)

(**) Term: **15 Years**

(21) Appl. No.: **29/544,312**

(22) Filed: **Nov. 2, 2015**

Related U.S. Application Data

(63) Continuation of application No. 29/481,729, filed on Feb. 10, 2014, now Pat. No. Des. 742,320, which is (Continued)

(51) **LOC (10) Cl.** **13-03**

(52) **U.S. Cl.**
USPC **D13/147**

(58) **Field of Classification Search**

USPC D13/133, 146, 147, 154, 184, 199;
D14/433, 434, 435.1, 436, 438
(Continued)

(56) **References Cited**

U.S. PATENT DOCUMENTS

D588,545 S 3/2009 Andre et al.
D683,703 S 6/2013 Akana et al.
(Continued)

FOREIGN PATENT DOCUMENTS

WO WO 2006/074348 A1 7/2006
WO WO 2011/150403 A1 12/2011
(Continued)

OTHER PUBLICATIONS

U.S. Appl. No. 29/432,034, filed Sep. 12, 2012.
(Continued)

Primary Examiner — Daniel Bui
(74) *Attorney, Agent, or Firm* — Sterne, Kessler, Goldstein & Fox P.L.L.C.

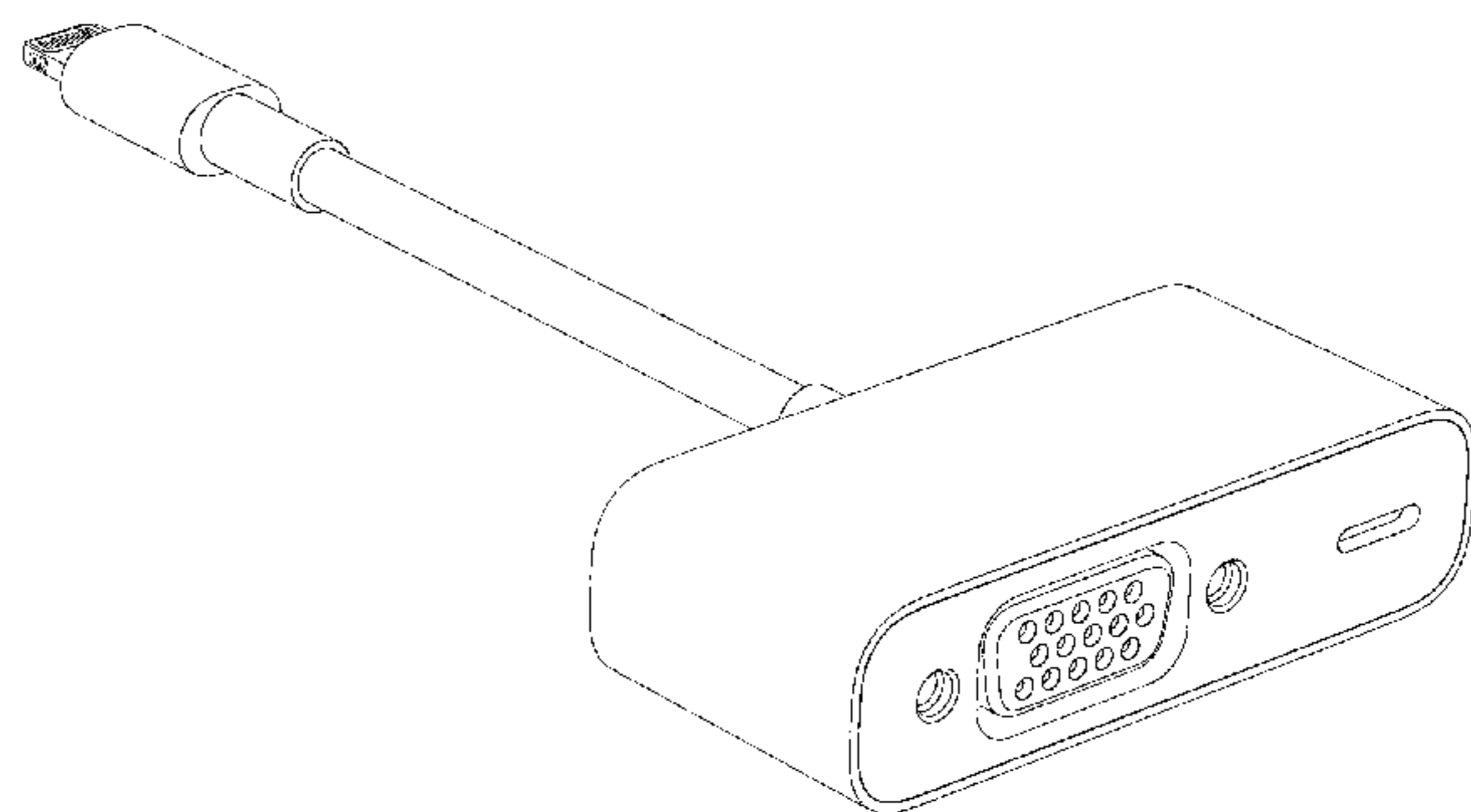
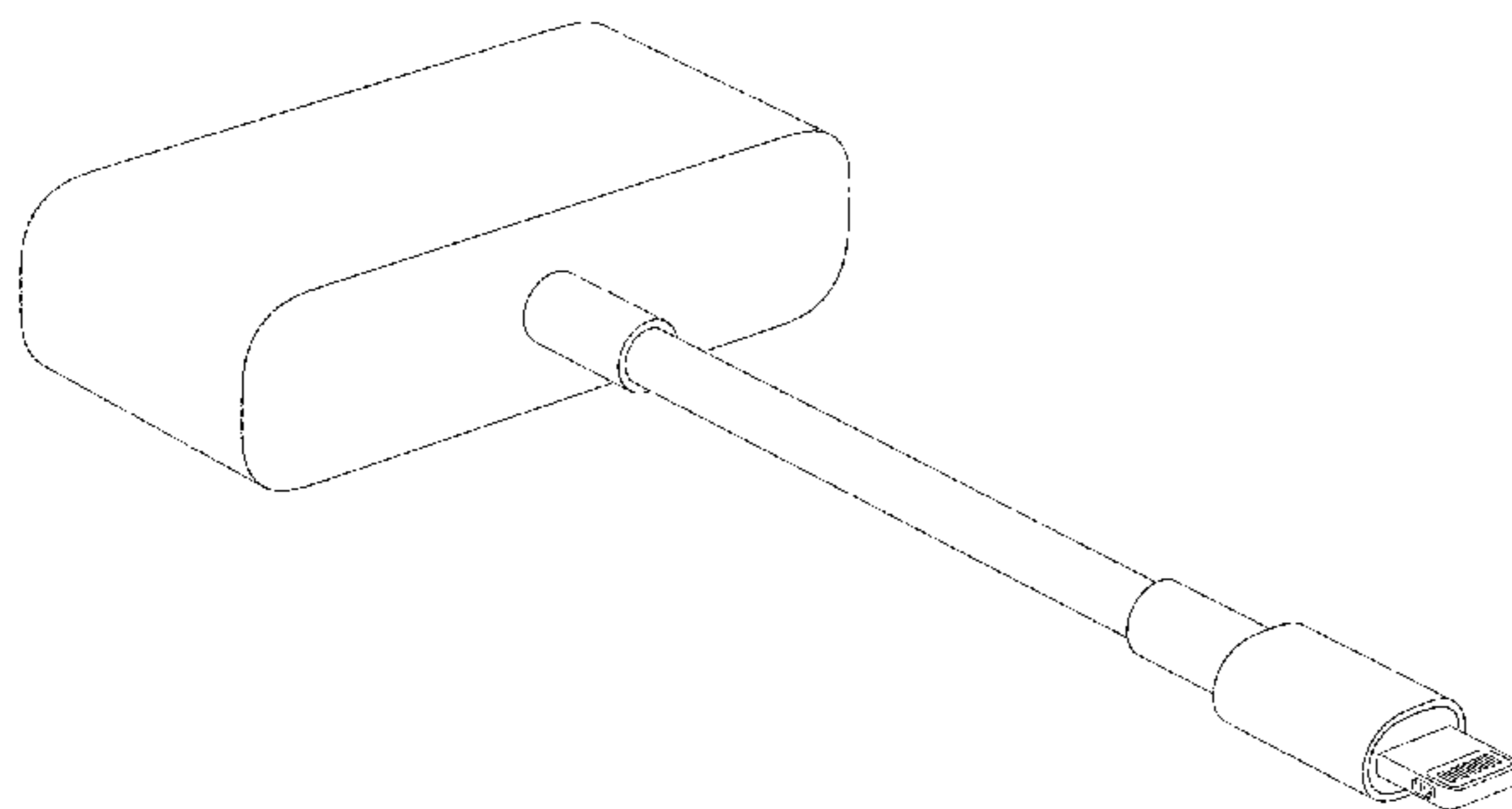
(57) **CLAIM**

The ornamental design for an adapter, as shown and described.

DESCRIPTION

FIG. 1 is a front perspective view of an adapter showing the claimed design;
FIG. 2 is a rear perspective view thereof;
FIG. 3 is a top view thereof, the bottom view being a mirror image thereof;
FIG. 4 is a left view thereof;
FIG. 5 is a right view thereof;
FIG. 6 is a rear view thereof; and,
FIG. 7 is a front view thereof.

(Continued)



The shade lines in the Figures show contour and not surface ornamentation.

1 Claim, 5 Drawing Sheets

D714,729 S	10/2014	Akana et al.	
D741,808 S *	10/2015	Shim	D13/147
D742,320 S *	11/2015	Akana	D13/147
D746,780 S *	1/2016	Akana	D13/147
D751,560 S *	3/2016	Akana	D14/433
2013/0328484 A1 *	12/2013	Villarreal	H01R 13/2421 315/127

Related U.S. Application Data

a continuation of application No. 29/431,841, filed on Sep. 11, 2012, now Pat. No. Des. 699,188.

(58) **Field of Classification Search**

CPC H01R 12/00; H01R 13/00; H01R 24/00;
H01R 43/00

See application file for complete search history.

FOREIGN PATENT DOCUMENTS

WO	WO 2011/160138 A2	12/2011
WO	WO 2011/163256 A1	12/2011
WO	WO 2011/163260 A1	12/2011
WO	WO 2012/103383 A2	8/2012
WO	WO 2013/081704 A1	6/2013
WO	WO 2014/040224 A1	3/2014

(56)

References Cited

U.S. PATENT DOCUMENTS

D684,539 S	6/2013	Akana et al.	
D684,976 S	6/2013	Akana et al.	
D694,243 S	11/2013	Akana et al.	
D699,188 S *	2/2014	Akana	D13/147
D707,680 S	6/2014	Akana et al.	
D707,681 S	6/2014	Akana et al.	

OTHER PUBLICATIONS

Apple 30-pin Digital AV Adapter, <http://store.apple.com/us/product/MD098ZM/A/apple-digital-av-adapter?fnode=3a&fs=m.ipadCompatibility%3Dipad2>, accessed on Aug. 28, 2013, 3 pages.
Apple 30-pin to VGA Adapter, <http://store.apple.com/us/product/MC552ZM/B/apple-vga-adapter?fnode=3a&fs=m.ipadCompatibility%3Dipad2>, accessed on Aug. 28, 2013, 4 pages.

* cited by examiner

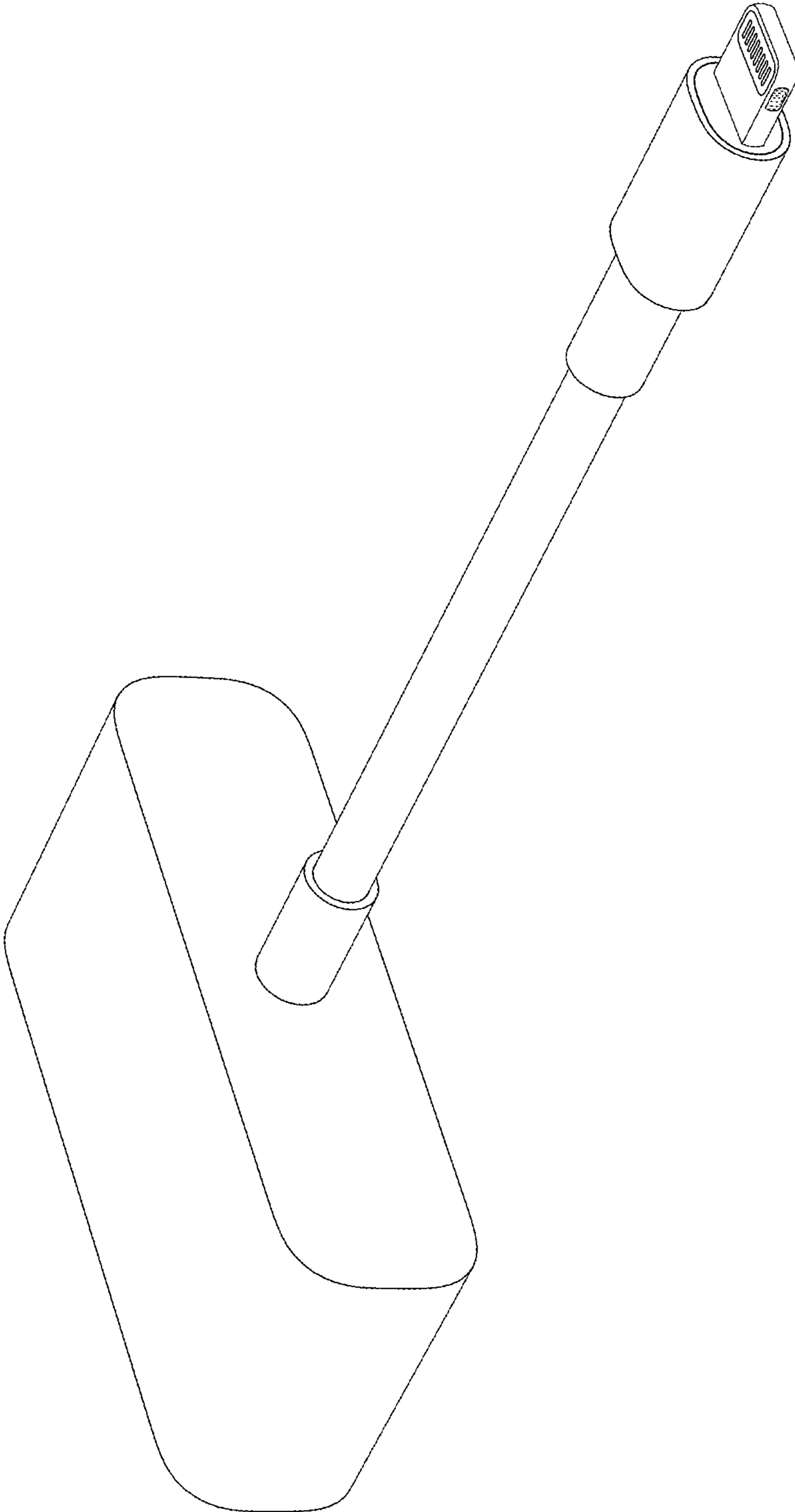


FIG. 1

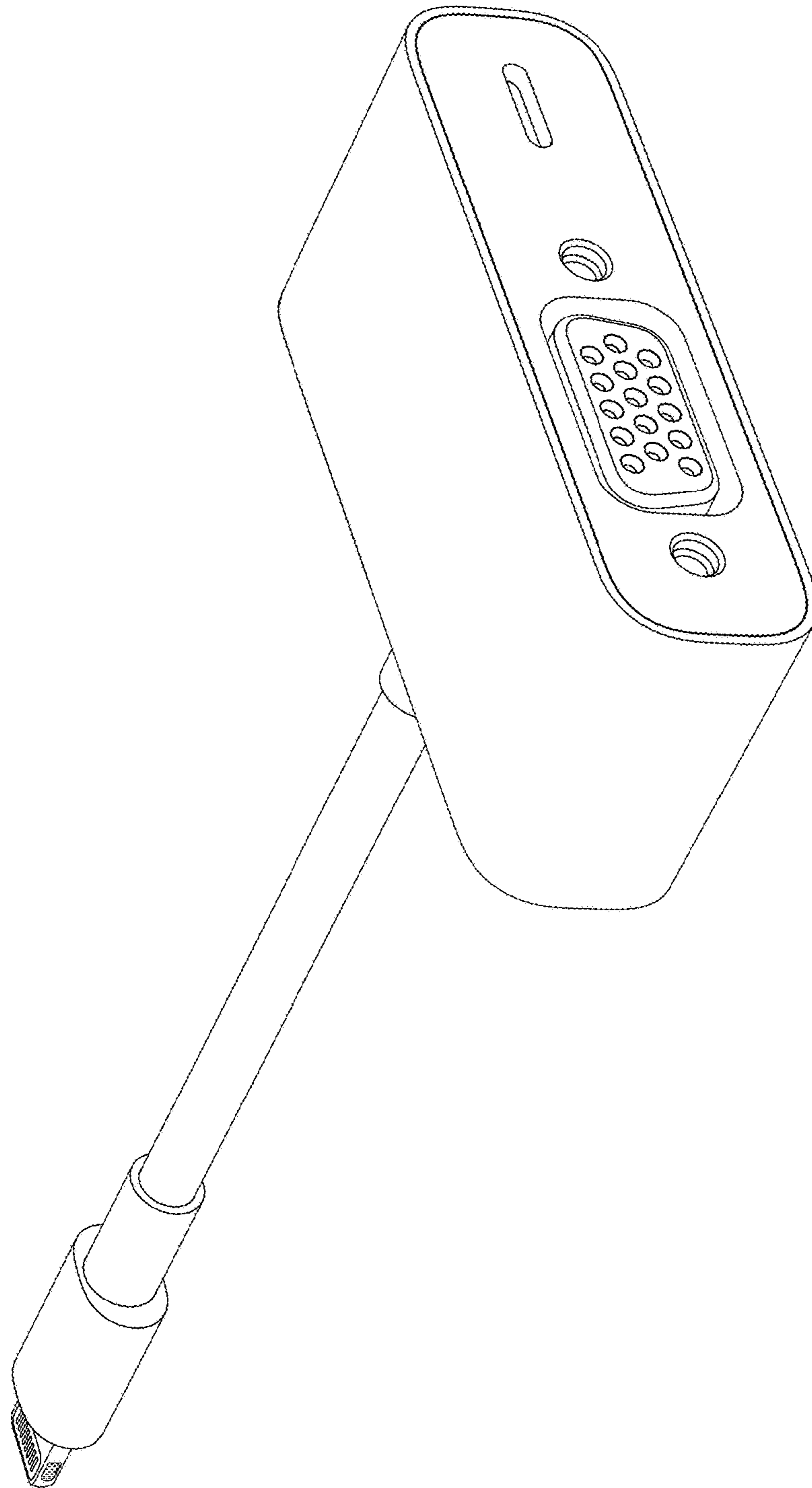


FIG. 2

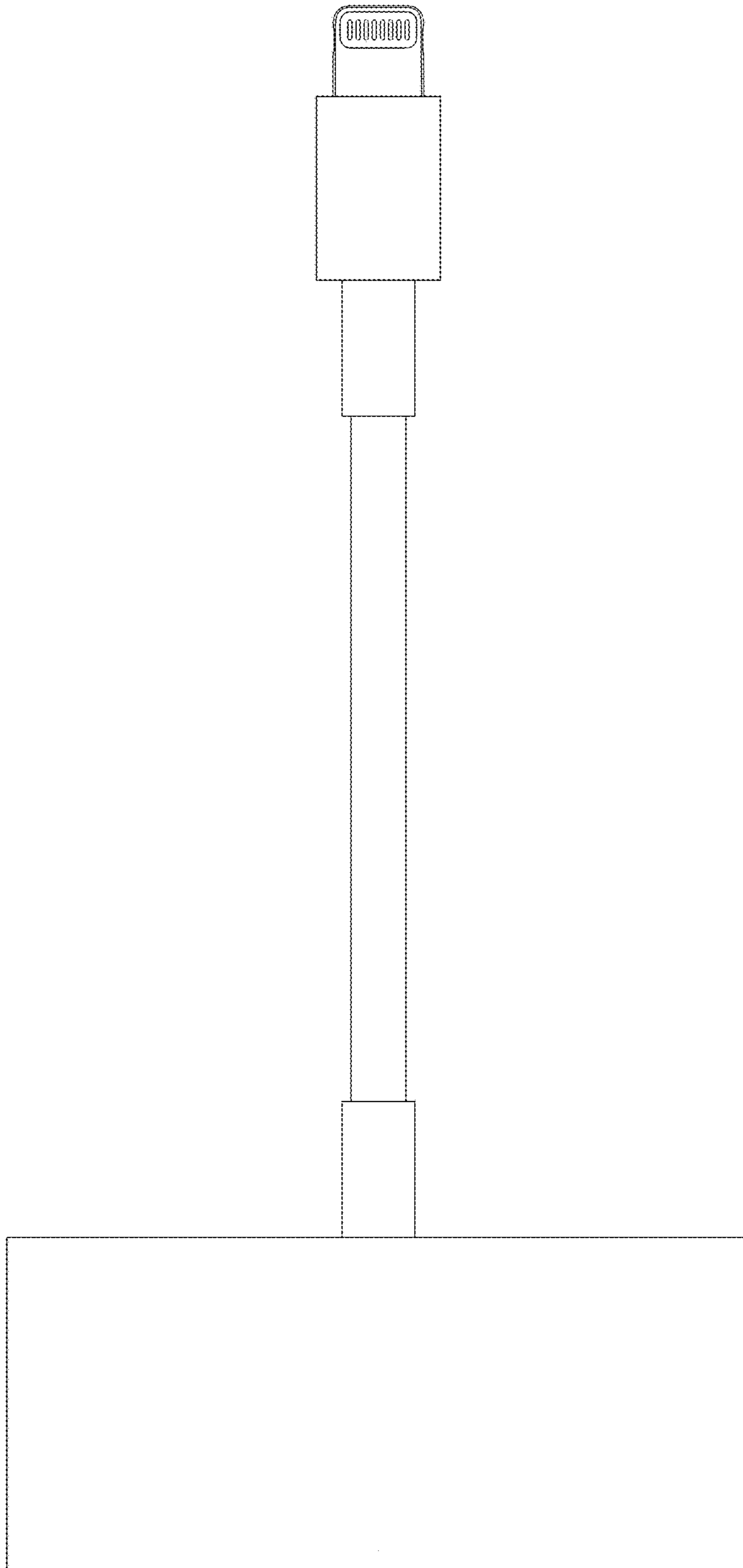


FIG. 3

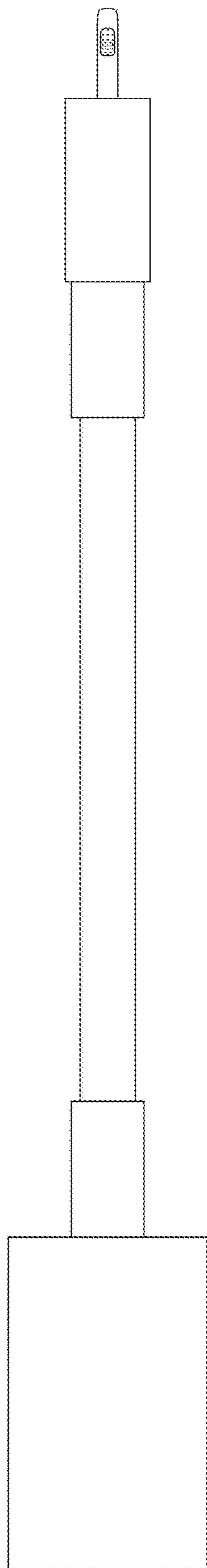


FIG. 4

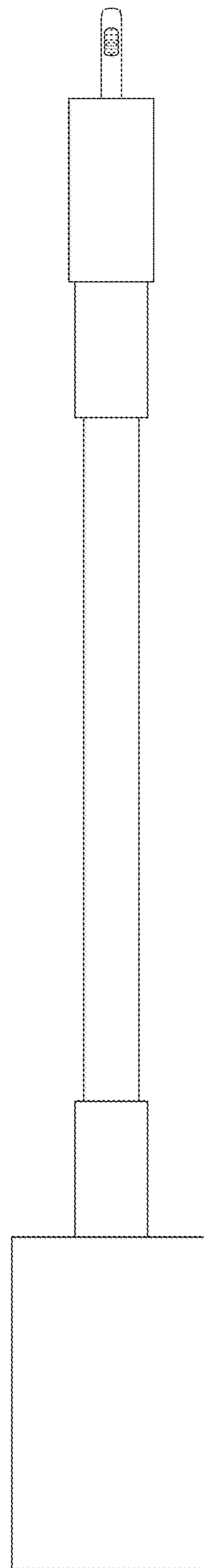


FIG. 5

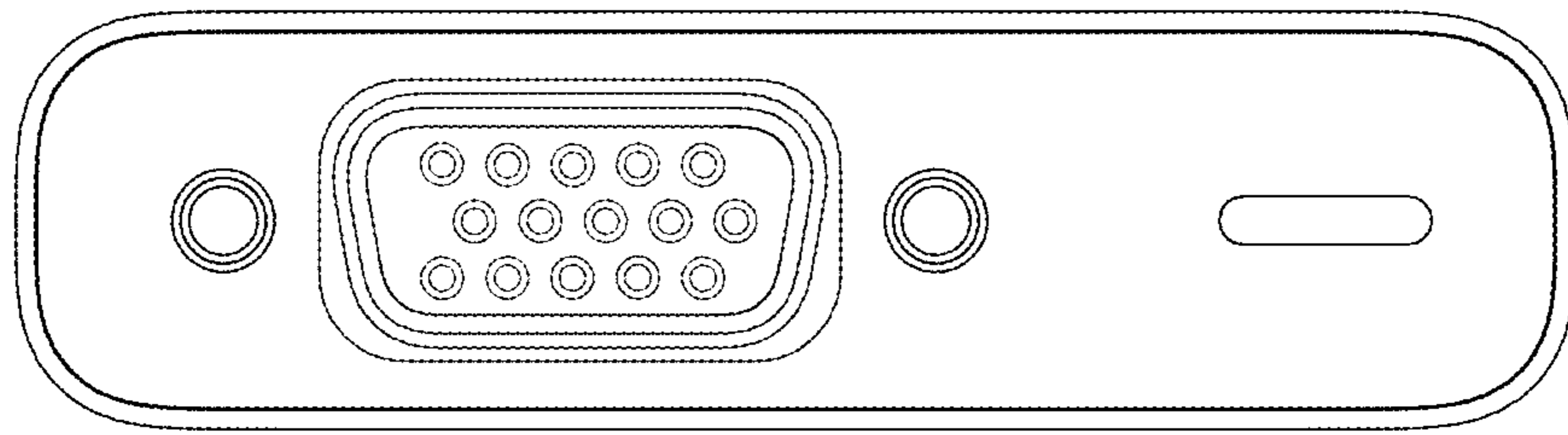


FIG. 6

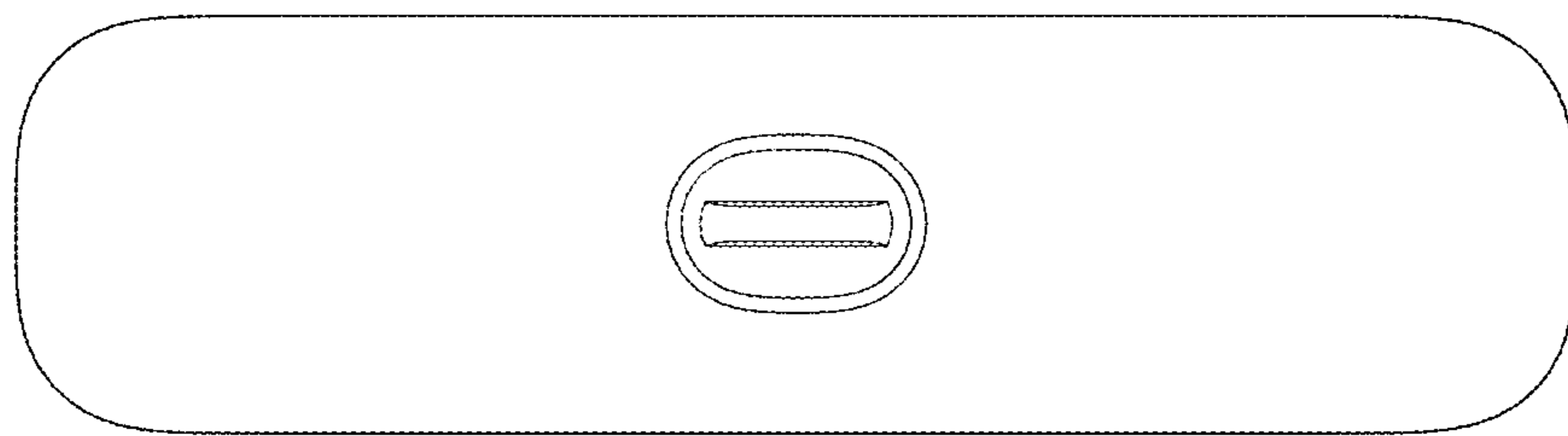


FIG. 7