



US00D781785S

(12) **United States Design Patent**  
**Akana et al.**

(10) **Patent No.:** **US D781,785 S**

(45) **Date of Patent:** **\*\* \*Mar. 21, 2017**

(54) **ADAPTER**

(71) Applicant: **Apple Inc.**, Cupertino, CA (US)

(72) Inventors: **Jody Akana**, San Francisco, CA (US);  
**Bartley K. Andre**, Palo Alto, CA (US);  
**Jeremy Bataillou**, San Francisco, CA (US);  
**Daniel J. Coster**, San Francisco, CA (US);  
**Daniele De Iuliis**, San Francisco, CA (US);  
**M. Evans Hankey**, San Francisco, CA (US);  
**Julian Hoenig**, San Francisco, CA (US);  
**Richard P. Howarth**, San Francisco, CA (US);  
**Jonathan P. Ive**, San Francisco, CA (US);  
**Duncan Robert Kerr**, San Francisco, CA (US);  
**Shin Nishibori**, Kailua, HI (US);  
**Matthew Dean Rohrbach**, San Francisco, CA (US);  
**Peter Russell-Clarke**, San Francisco, CA (US);  
**Christopher J. Stringer**, Woodside, CA (US);  
**Eugene Antony Whang**, San Francisco, CA (US);  
**Rico Zörkendörfer**, San Francisco, CA (US)

(73) Assignee: **Apple Inc.**, Cupertino, CA (US)

(\*) Notice: This patent is subject to a terminal disclaimer.

(\*\*) Term: **15 Years**

(21) Appl. No.: **29/544,310**

(22) Filed: **Nov. 2, 2015**

**Related U.S. Application Data**

(63) Continuation-in-part of application No. 29/481,729, filed on Feb. 10, 2014, now Pat. No. Des. 742,320, (Continued)

(51) **LOC (10) Cl.** ..... **13-03**

(52) **U.S. Cl.**  
USPC ..... **D13/147**

(58) **Field of Classification Search**

USPC ..... D13/133, 146, 147, 154, 184, 199;  
D14/433, 434, 435.1, 436, 438

(Continued)

(56) **References Cited**

**U.S. PATENT DOCUMENTS**

D304,028 S 10/1989 Matsuzaki  
D369,157 S 4/1996 Ohmori et al.

(Continued)

**FOREIGN PATENT DOCUMENTS**

WO WO 2006/074348 A1 7/2006  
WO WO 2011/150403 A1 12/2011

(Continued)

**OTHER PUBLICATIONS**

Apple iPad Camera Connection Kit, <http://store.apple.com/us/product/MC531ZM/A/apple-ipad-camera-connection-kit?fnode=3a&fs=m.ipadCompatibility%3Dipad2>, accessed on Aug. 28, 2013, 3 pages.

(Continued)

*Primary Examiner* — Daniel Bui

(74) *Attorney, Agent, or Firm* — Sterne, Kessler, Goldstein & Fox P.L.L.C.

(57) **CLAIM**

The ornamental design for an adapter, as shown and described.

**DESCRIPTION**

FIG. 1 is a front perspective view of an adapter showing the claimed design;

FIG. 2 is a rear perspective view thereof;

FIG. 3 is a top view thereof, the bottom view being a mirror image thereof;

FIG. 4 is a left view thereof;

FIG. 5 is a right view thereof;

FIG. 6 is a rear view thereof; and,

(Continued)

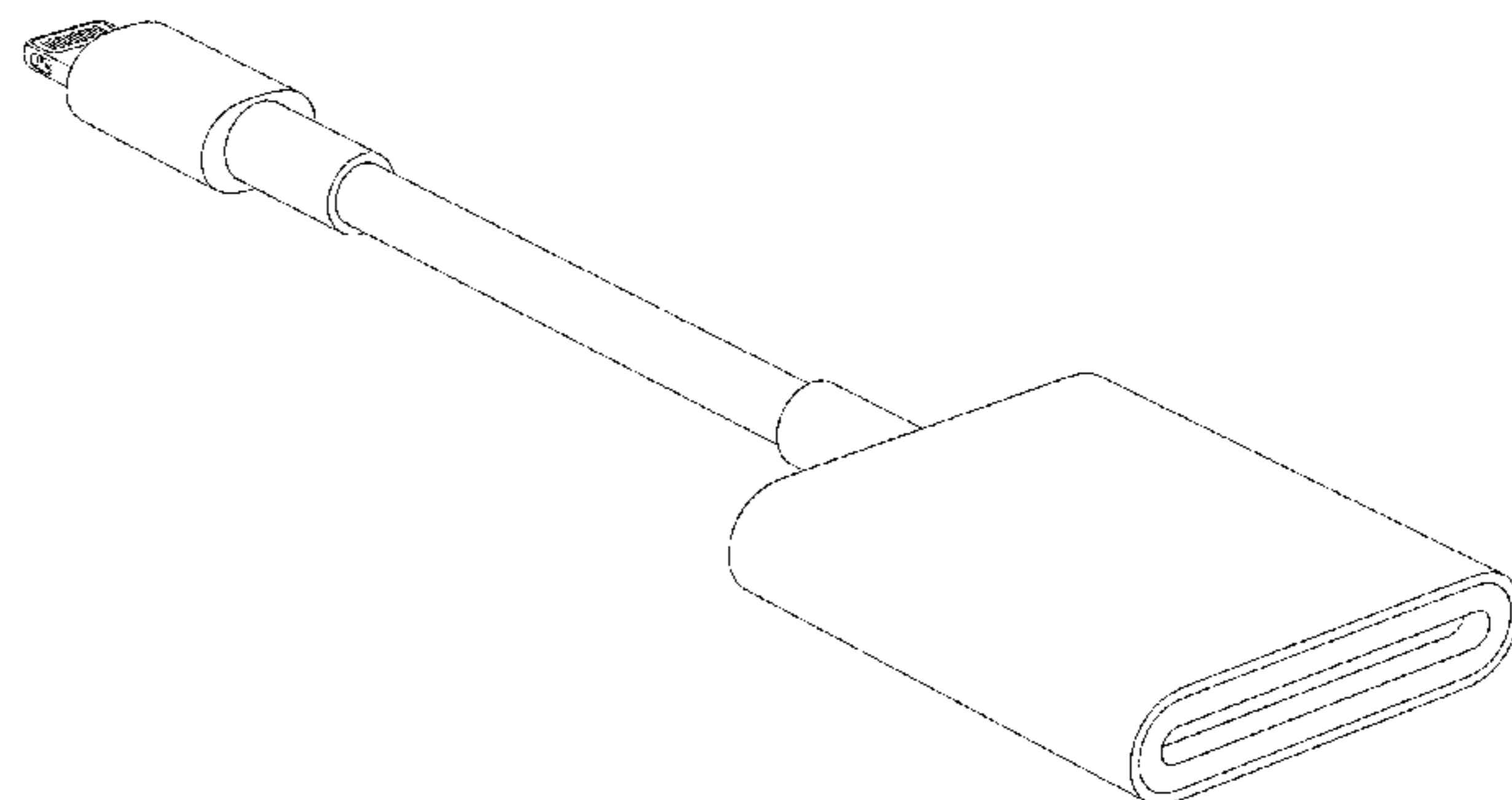
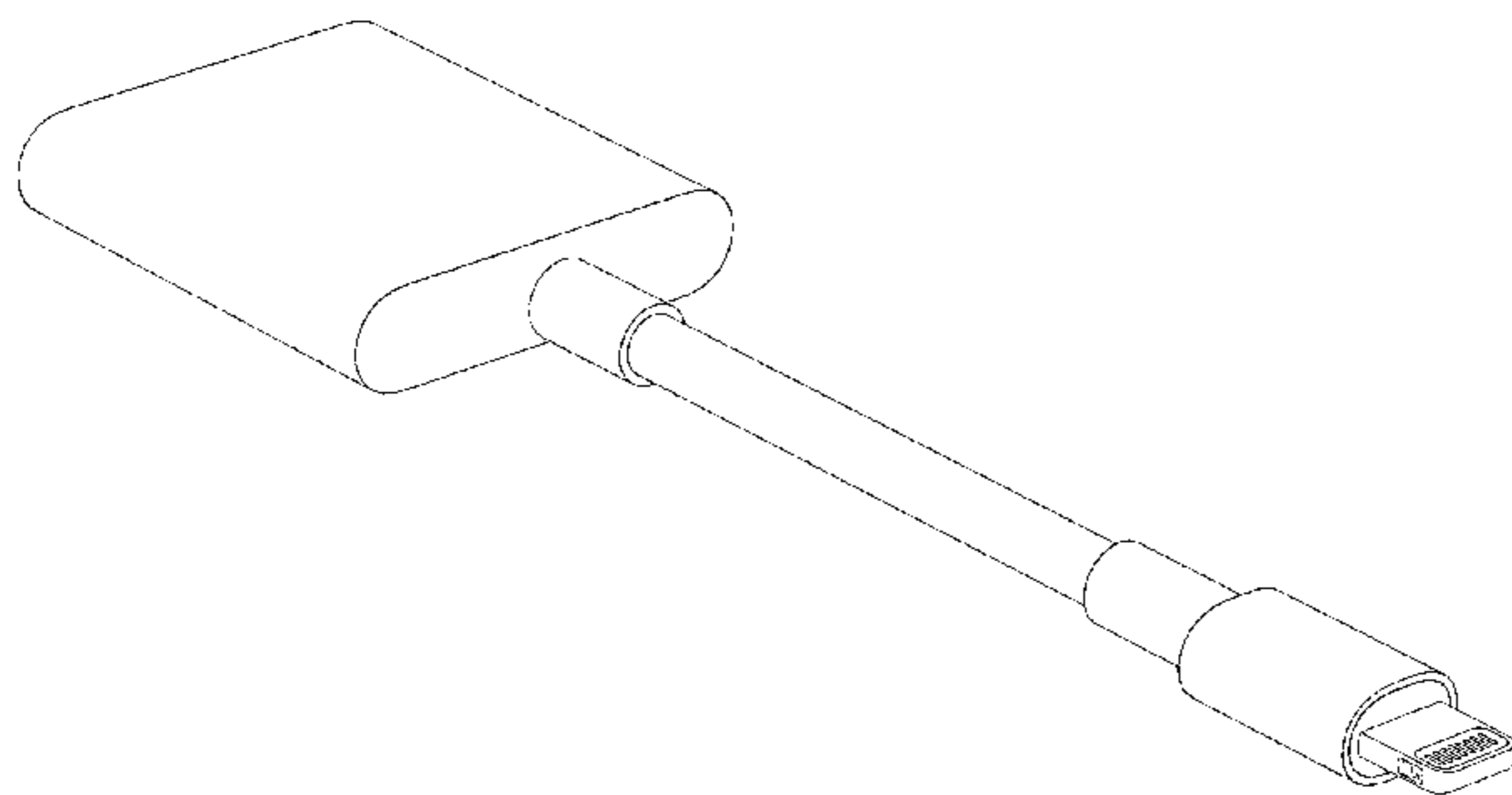


FIG. 7 is a front view thereof.  
The shade lines in the Figures show contour and not surface ornamentation.

**1 Claim, 5 Drawing Sheets**

**Related U.S. Application Data**

which is a continuation-in-part of application No. 29/431,841, filed on Sep. 11, 2012, now Pat. No. Des. 699,188.

- (58) **Field of Classification Search**  
CPC ..... H01R 12/00; H01R 13/00; H01R 24/00;  
H01R 43/00  
See application file for complete search history.

(56) **References Cited**

U.S. PATENT DOCUMENTS

D399,047	S	10/1998	Yoshida et al.
6,137,710	A	10/2000	Iwasaki et al.
D452,245	S	12/2001	Wallace et al.
D452,246	S	12/2001	Wallace et al.
6,483,038	B2	11/2002	Lee et al.
D487,747	S	3/2004	Yu et al.
D490,796	S	6/2004	Allen
D522,463	S	6/2006	Novotney et al.
D525,977	S	8/2006	Yao
7,094,089	B2	8/2006	Andre et al.
D531,127	S	10/2006	Zhong et al.
D534,545	S	1/2007	Leija et al.
D537,036	S	2/2007	Chen
D552,099	S	10/2007	Nishizawa et al.
D552,604	S	10/2007	Andre et al.
7,341,472	B2	3/2008	Chao et al.
7,354,312	B2	4/2008	Chuang
D574,365	S	8/2008	Andre et al.
D577,008	S	9/2008	Andre et al.
D578,991	S	10/2008	Donovan et al.
D588,545	S	3/2009	Andre et al.
D594,418	S	6/2009	Fujino et al.
D599,740	S	9/2009	Guccione et al.
D599,800	S	9/2009	Klein et al.
D600,652	S	9/2009	Hong et al.
D604,725	S	11/2009	Chen
D605,650	S	12/2009	Ribeiro
D607,886	S	1/2010	Bolotin et al.
D617,776	S	6/2010	Hightower
D618,226	S	6/2010	Tong et al.
D618,240	S	6/2010	Larmour et al.
D621,785	S	8/2010	Nickol
D624,548	S	9/2010	Yamamoto
D628,151	S	11/2010	Wegener et al.
D628,537	S	12/2010	Nagata et al.
D631,883	S	2/2011	Maier
D635,142	S	3/2011	Borislow
D636,337	S	4/2011	Smith et al.
D637,193	S	5/2011	Andre et al.
D643,040	S	8/2011	Sedio et al.
D648,726	S	11/2011	Behar et al.
D655,296	S	3/2012	Andre et al.
D656,147	S	3/2012	Schlossstein
D658,665	S	5/2012	Akana et al.
D659,150	S	5/2012	Andre
D665,754	S	8/2012	Cobbett et al.
D680,076	S	4/2013	McManigal
D680,539	S	4/2013	Kim
D682,835	S	5/2013	Daniel
D683,703	S	6/2013	Akana et al.
D684,539	S	6/2013	Akana et al.

D684,976	S	6/2013	Akana et al.
8,454,388	B2	6/2013	Song
D693,828	S	11/2013	Akana et al.
D694,243	S	11/2013	Akana et al.
D699,188	S	2/2014	Akana et al.
8,683,090	B2	3/2014	Mullins et al.
D703,145	S	4/2014	Akana et al.
8,708,745	B2	4/2014	Golko et al.
8,721,356	B2	5/2014	Webb et al.
D707,680	S	6/2014	Akana et al.
D707,681	S	6/2014	Akana et al.
8,747,155	B2	6/2014	Weber et al.
8,762,605	B2	6/2014	Terlizzi et al.
D709,032	S	7/2014	Akana et al.
8,777,666	B2	7/2014	Golko et al.
8,799,527	B2	8/2014	Mullins et al.
8,804,355	B2	8/2014	Uttermann et al.
8,845,363	B2	9/2014	Ardisana, II et al.
D714,729	S	10/2014	Akana et al.
8,882,529	B2	11/2014	Weber et al.
8,886,849	B2	11/2014	Golembeski et al.
8,888,510	B2	11/2014	Webb
8,891,216	B2	11/2014	Mullins et al.
8,905,793	B2	12/2014	Golko et al.
8,986,029	B2	3/2015	Webb et al.
9,011,161	B2	4/2015	Weber et al.
9,011,179	B2	4/2015	Siahaan et al.
9,021,159	B2	4/2015	Fritchman et al.
D731,434	S	6/2015	Akana et al.
D732,035	S	6/2015	Akana et al.
D734,434	S	7/2015	Akana et al.
2002/0170972	A1	11/2002	Kim
2003/0225954	A1	12/2003	Wu
2005/0109841	A1	5/2005	Ryan et al.
2005/0202727	A1	9/2005	Andre et al.
2007/0123106	A1	5/2007	Zhang
2007/0229025	A1	10/2007	Tsai et al.
2007/0293079	A1	12/2007	Chao et al.
2011/0199729	A1	8/2011	Hsieh
2012/0252256	A1	10/2012	Zhu et al.
2013/0084760	A1	4/2013	Siahaan et al.
2013/0175326	A1	7/2013	Jol et al.
2013/0244489	A1	9/2013	Terlizzi et al.
2013/0244491	A1	9/2013	Sarwar et al.
2013/0305066	A1	11/2013	Mullins et al.
2014/0013012	A1	1/2014	Terlizzi et al.
2014/0069709	A1	3/2014	Schmidt et al.
2014/0070774	A1	3/2014	Terlizzi et al.
2014/0073170	A1	3/2014	Golko et al.
2014/0073191	A1	3/2014	Colahan et al.
2014/0073193	A1	3/2014	SooHoo et al.
2014/0075051	A1	3/2014	Zadesky et al.
2014/0075169	A1	3/2014	Andrews et al.
2014/0075210	A1	3/2014	Rich et al.
2014/0294656	A1	10/2014	Brickner et al.

FOREIGN PATENT DOCUMENTS

WO	WO 2011/160138	A2	12/2011
WO	WO 2011/163256	A1	12/2011
WO	WO 2011/163260	A1	12/2011
WO	WO 2012/103383	A2	8/2012
WO	WO 2013/081704	A1	6/2013
WO	WO 2014/040224	A1	3/2014

OTHER PUBLICATIONS

Apple 30-pin Digital AV Adapter, <http://store.apple.com/us/product/MD098ZM/A/apple-digital-av-adapter?fnode=3a&fs=m>.  
ipadCompatibility%3Dipad2, accessed on Aug. 28, 2013, 3 pages.  
Apple 30-pin to VGA Adapter, <http://store.apple.com/us/product/MC552ZM/B/apple-vga-adapter?fnode=3a&fs=m>.  
ipadCompatibility%3Dipad2, accessed on Aug. 28, 2013, 4 pages.  
U.S. Appl. No. 29/432,034, filed Sep. 12, 2012.

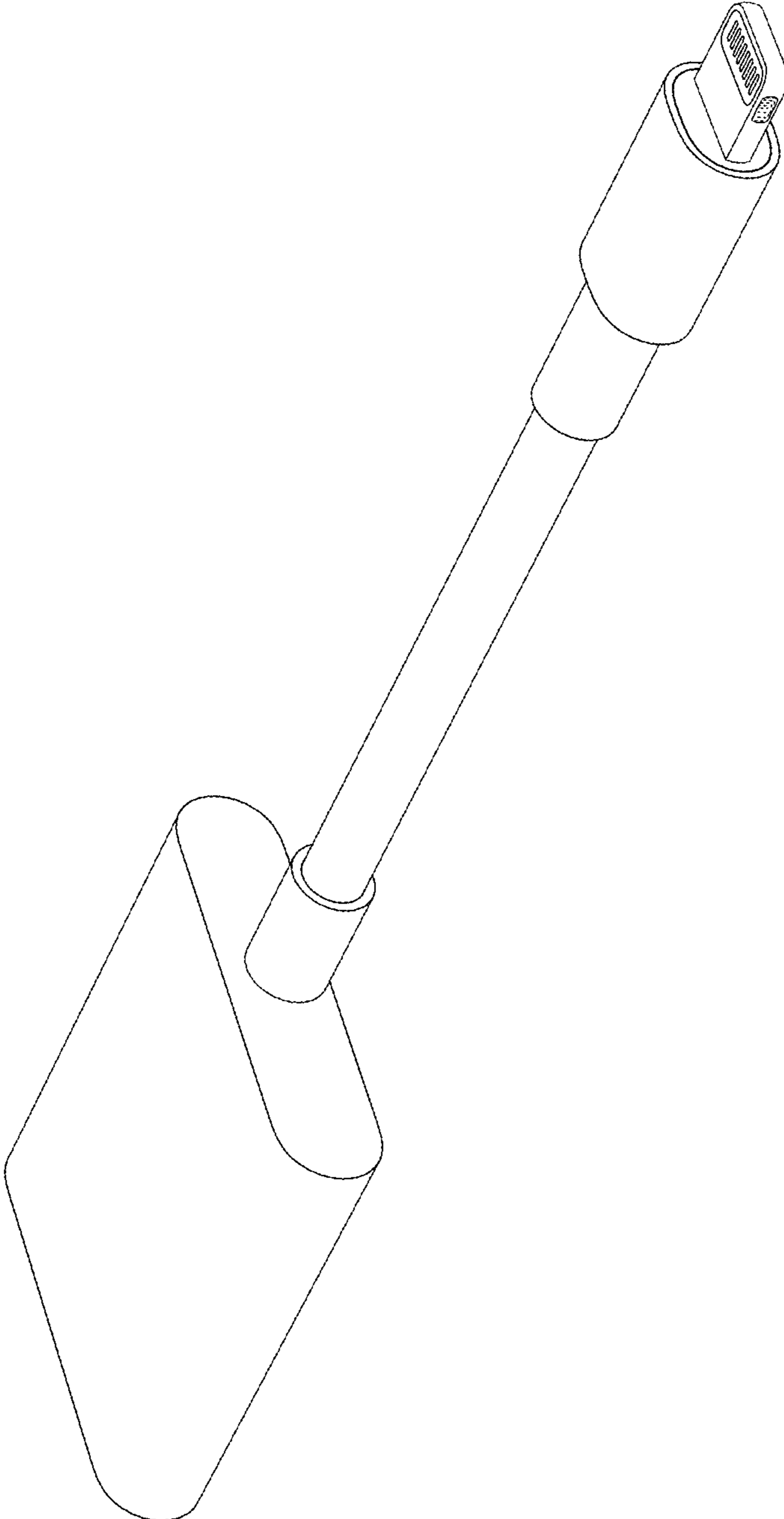


FIG. 1

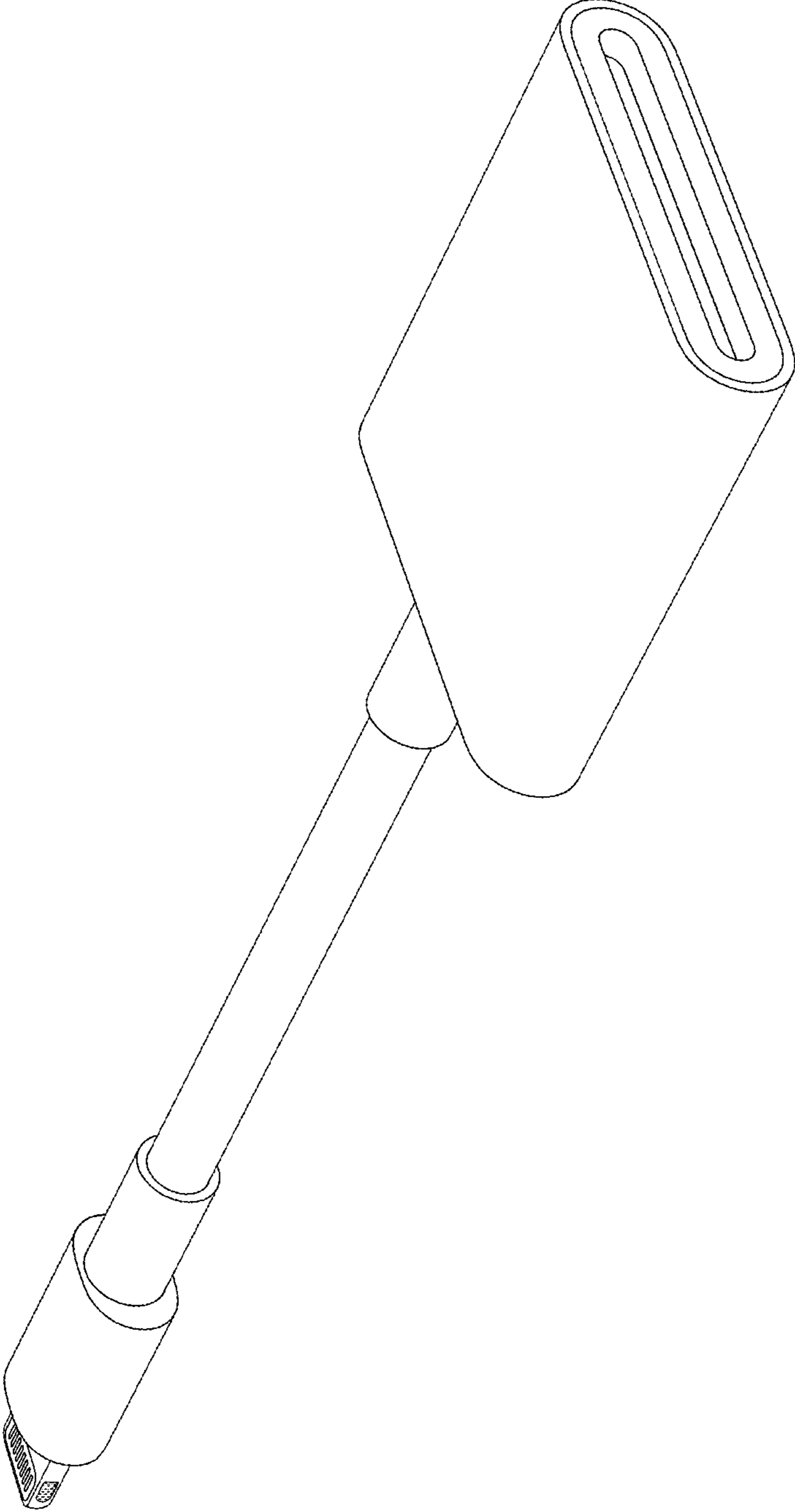
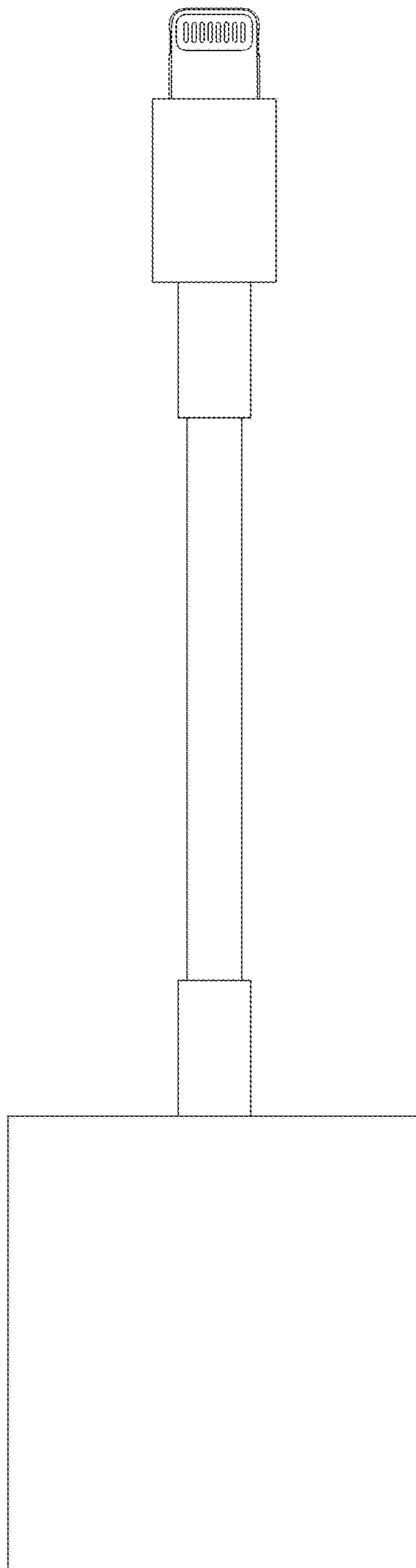
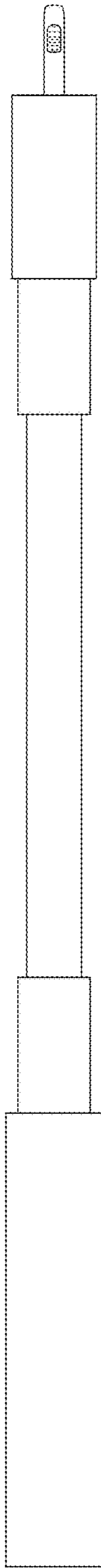


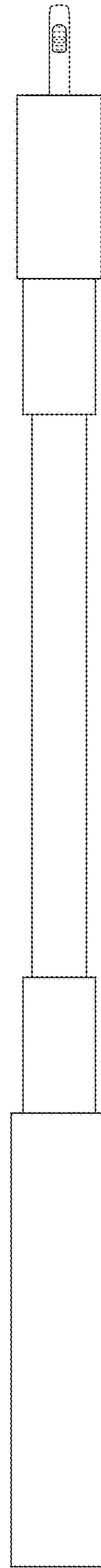
FIG. 2



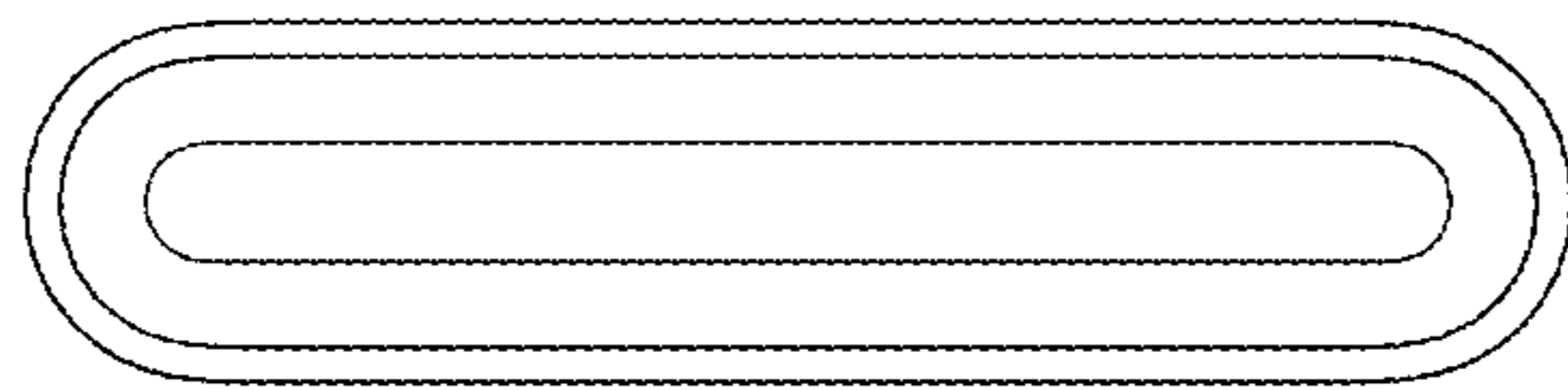
**FIG. 3**



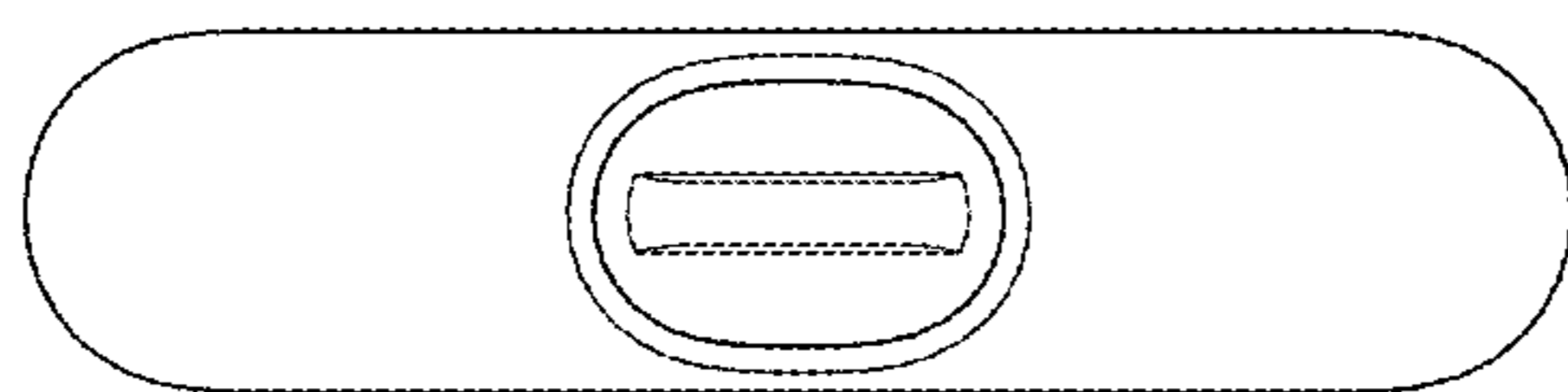
**FIG. 4**



**FIG. 5**



**FIG. 6**



**FIG. 7**

UNITED STATES PATENT AND TRADEMARK OFFICE  
**CERTIFICATE OF CORRECTION**

PATENT NO. : D781,785 S  
APPLICATION NO. : 29/544310  
DATED : March 21, 2017  
INVENTOR(S) : Akana et al.

Page 1 of 1

It is certified that error appears in the above-identified patent and that said Letters Patent is hereby corrected as shown below:

On the Title Page

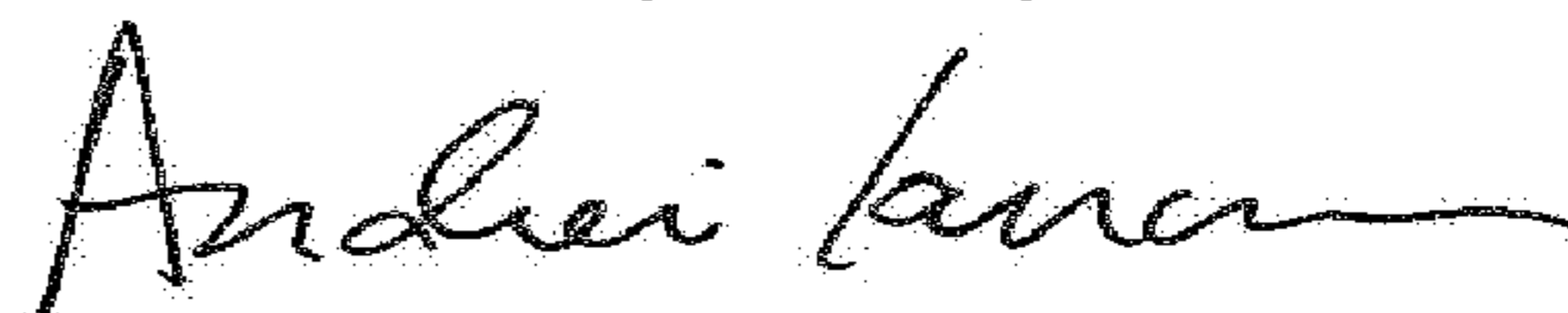
In the "Related U.S. Application Data" Item (63), please replace:

"Continuation-in-part of application No. 29/481,729, filed on Feb. 10, 2014, now Pat. No. Des. 742,320, which is a continuation-in-part of application No. 29/431,841, filed on Sep. 11, 2012, now Pat. No. Des. 699,188."

With:

-- Continuation of application No. 29/481,729, filed on Feb. 10, 2014, now Pat. No. Des. 742,320, which is a continuation of application No. 29/431,841, filed on Sep. 11, 2012, now Pat. No. Des. 699,188. --.

Signed and Sealed this  
First Day of May, 2018



Andrei Iancu  
*Director of the United States Patent and Trademark Office*