



US00D781782S

(12) **United States Design Patent**
Neroni et al.

(10) **Patent No.:** **US D781,782 S**
(45) **Date of Patent:** **** Mar. 21, 2017**

(54) **TIRE TREAD**

(71) Applicant: **Bridgestone Corporation**, Chuo-ku,
Tokyo (JP)

(72) Inventors: **Simone Neroni**, Rome (IT); **Renata Erica Morace**, Rome (IT)

(73) Assignee: **BRIDGESTONE CORPORATION**,
Tokyo (JP)

(**) Term: **15 Years**

(21) Appl. No.: **29/535,261**

(22) Filed: **Aug. 5, 2015**

(30) **Foreign Application Priority Data**

Feb. 13, 2015 (EM) 002633842-0001
Mar. 19, 2015 (EM) 002660126-0001

(51) **LOC (10) Cl.** **12-15**

(52) **U.S. Cl.**
USPC **D12/596**

(58) **Field of Classification Search**
USPC D12/568-604, 900
CPC B60C 1/0016; B60C 11/0306; B60C
11/0302; B60C 3/06; B60C 9/17
See application file for complete search history.

(56) **References Cited**

U.S. PATENT DOCUMENTS

D604,228 S * 11/2009 Le D12/582
D604,229 S * 11/2009 Le D12/582

D641,309 S * 7/2011 Takada D12/594
D645,394 S * 9/2011 De Staercke D12/583
D676,373 S * 2/2013 Bachtel D12/580
D676,800 S * 2/2013 Buchinger-Barnstorf ... D12/580
D742,809 S * 11/2015 Renis D12/583
D748,051 S * 1/2016 Odakura D12/602
D756,899 S * 5/2016 Yamamoto D12/583

* cited by examiner

Primary Examiner — Robert M Spear

Assistant Examiner — John Voytek

(74) *Attorney, Agent, or Firm* — Sughrue Mion, PLLC

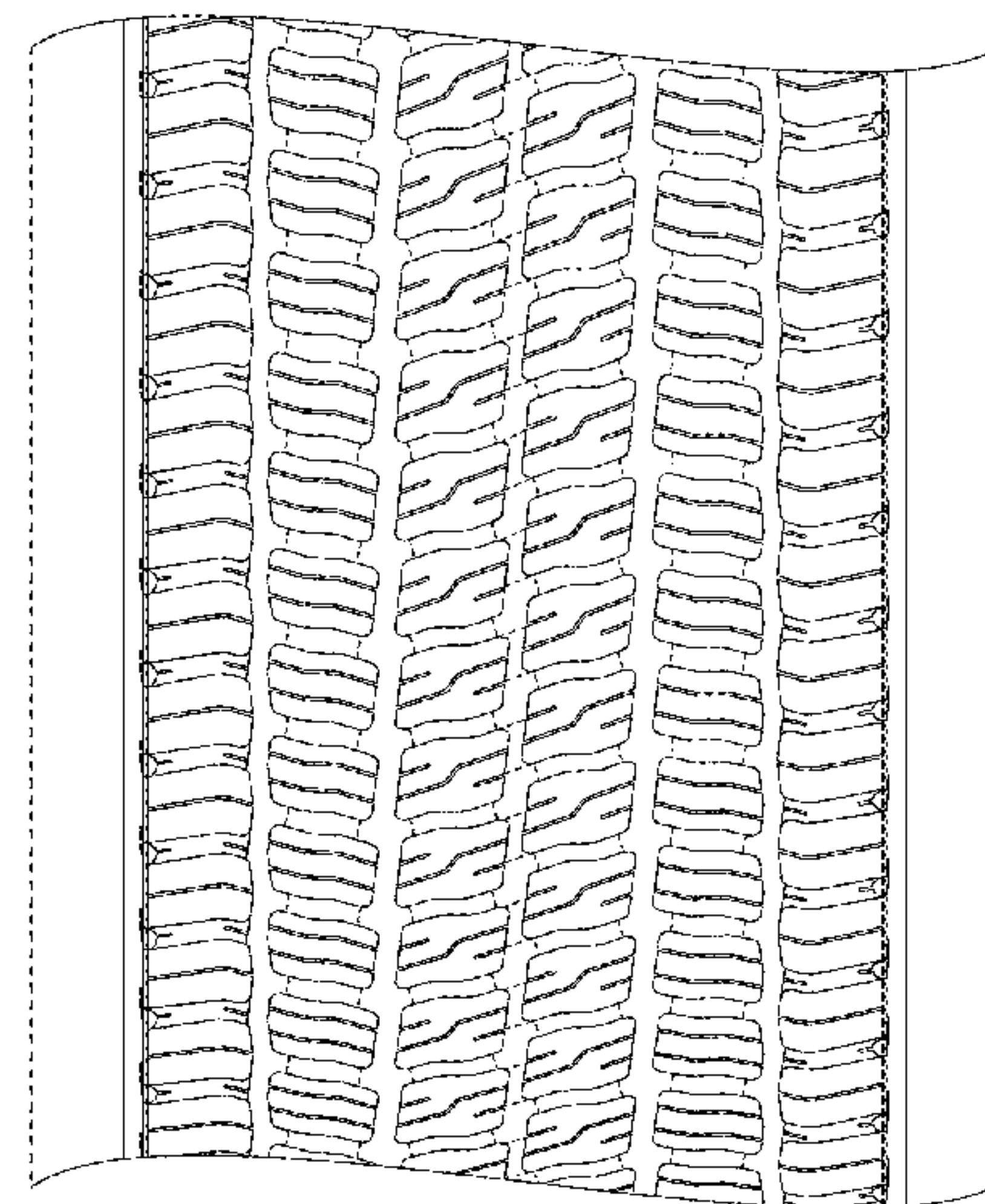
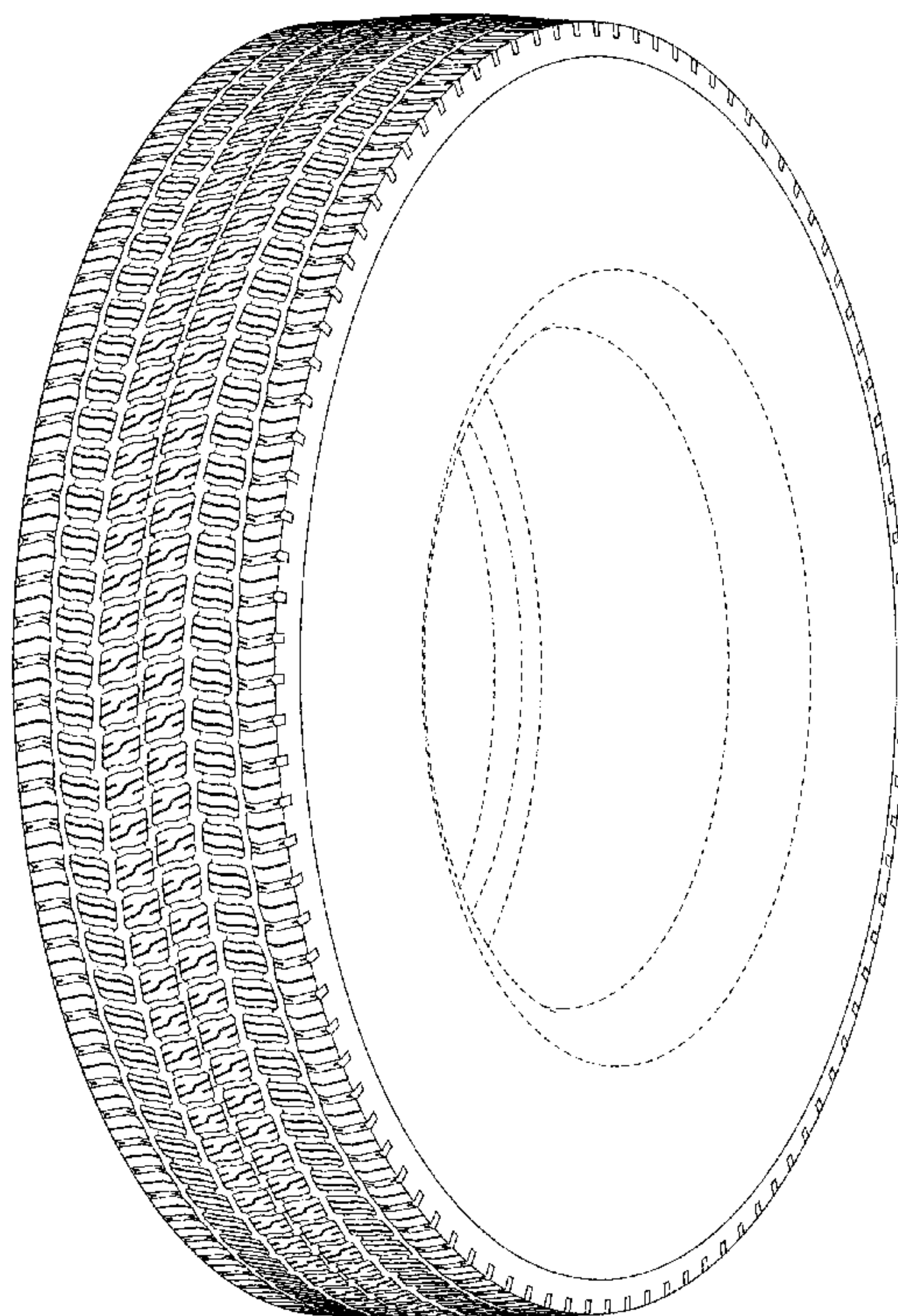
(57) **CLAIM**

The ornamental design for a tire tread, as shown and described.

DESCRIPTION

FIG. 1 is a perspective view of the tire tread showing our design;
FIG. 2 is a left view thereof;
FIG. 3 is a right view thereof;
FIG. 4 is a front view thereof;
FIG. 5 is a rear view thereof;
FIG. 6 is a plan view thereof showing the tread pattern;
FIG. 7 is a plan view thereof showing the tread pattern, with section line 8-8; and,
FIG. 8 is a sectional view taken along line 8-8 in FIG. 7.
The broken lines are used to show portions of the tire tread that are not being claimed, and thus form no part of the claimed design.

1 Claim, 8 Drawing Sheets



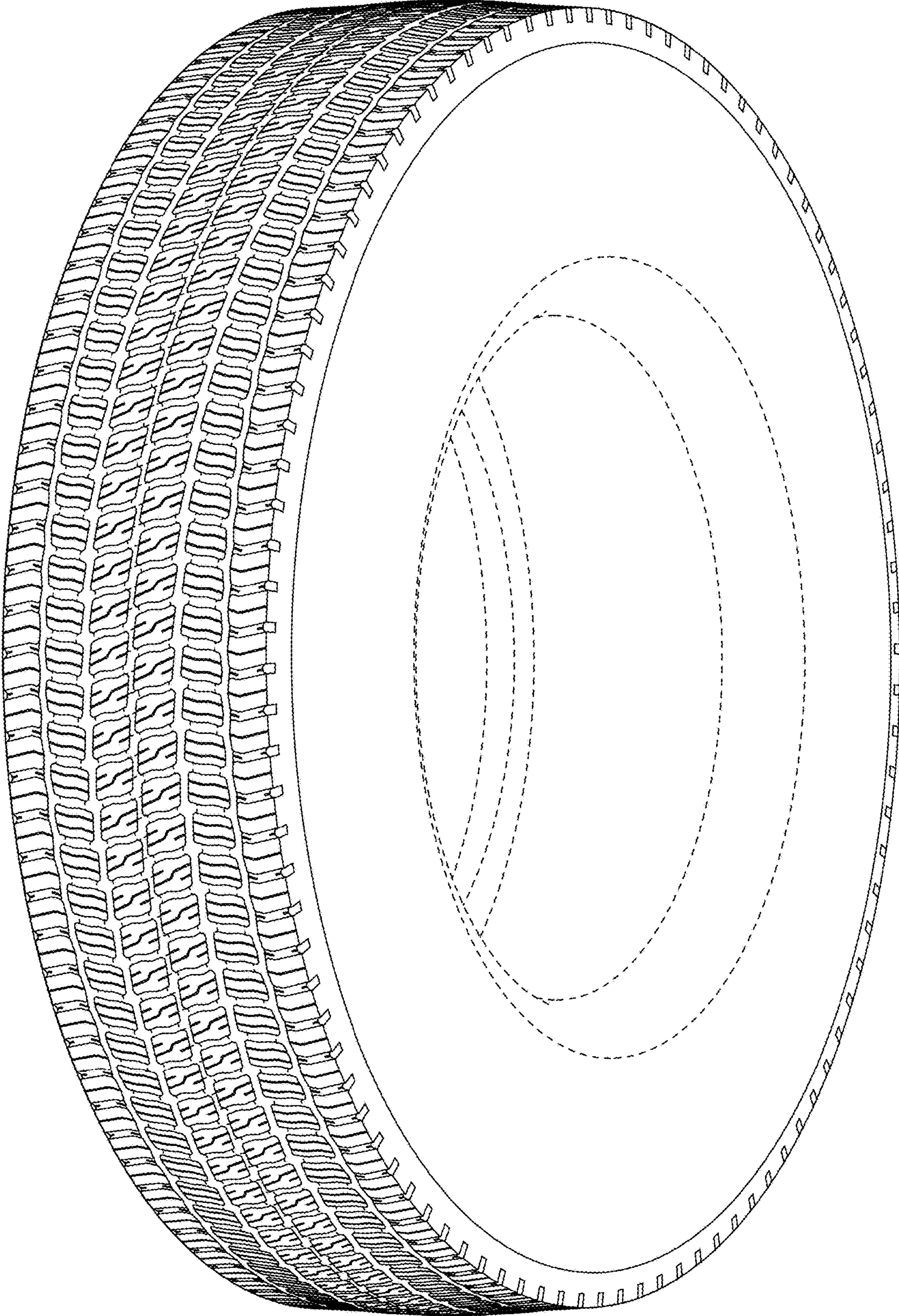


FIG. 1

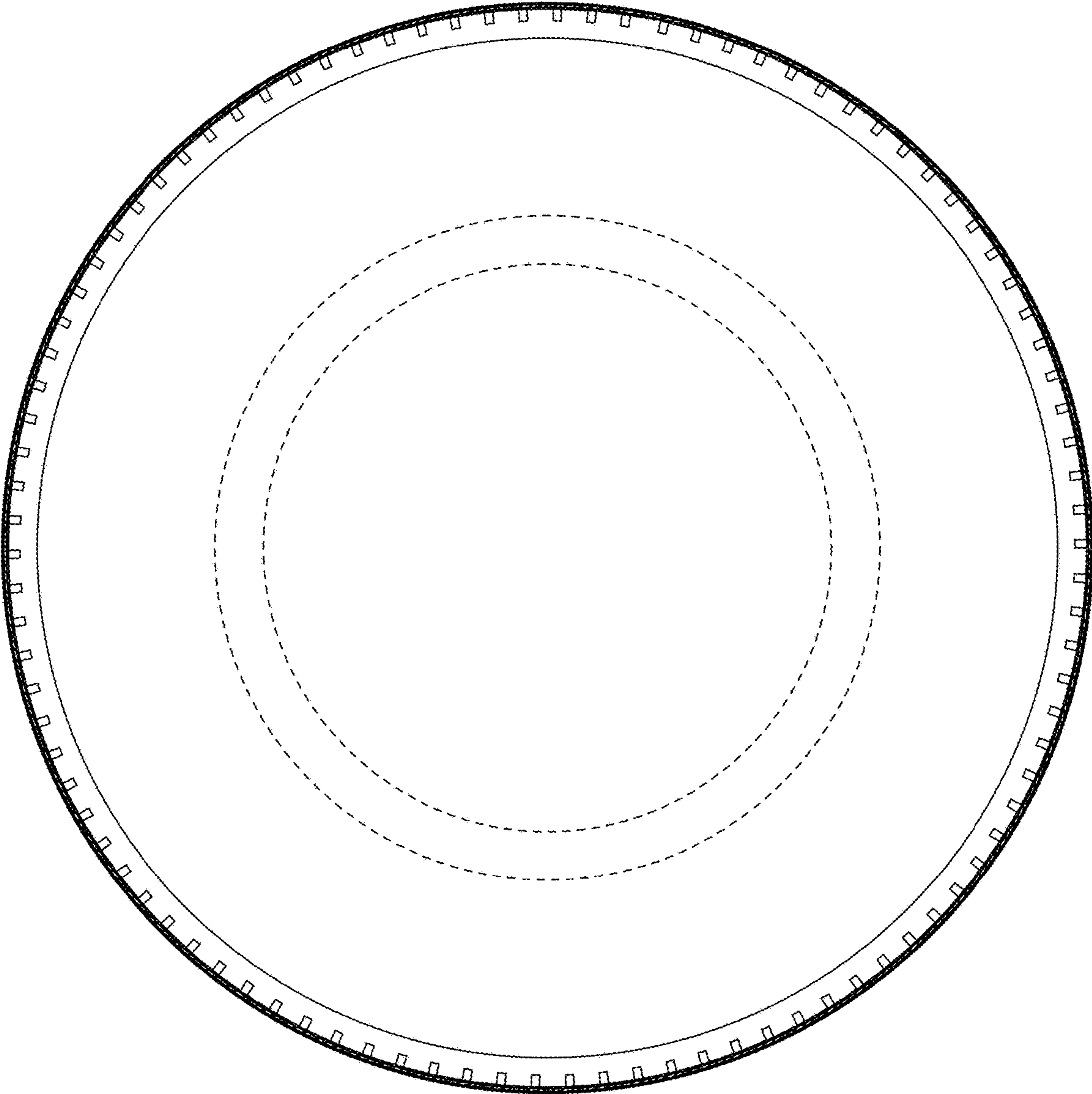


FIG. 2

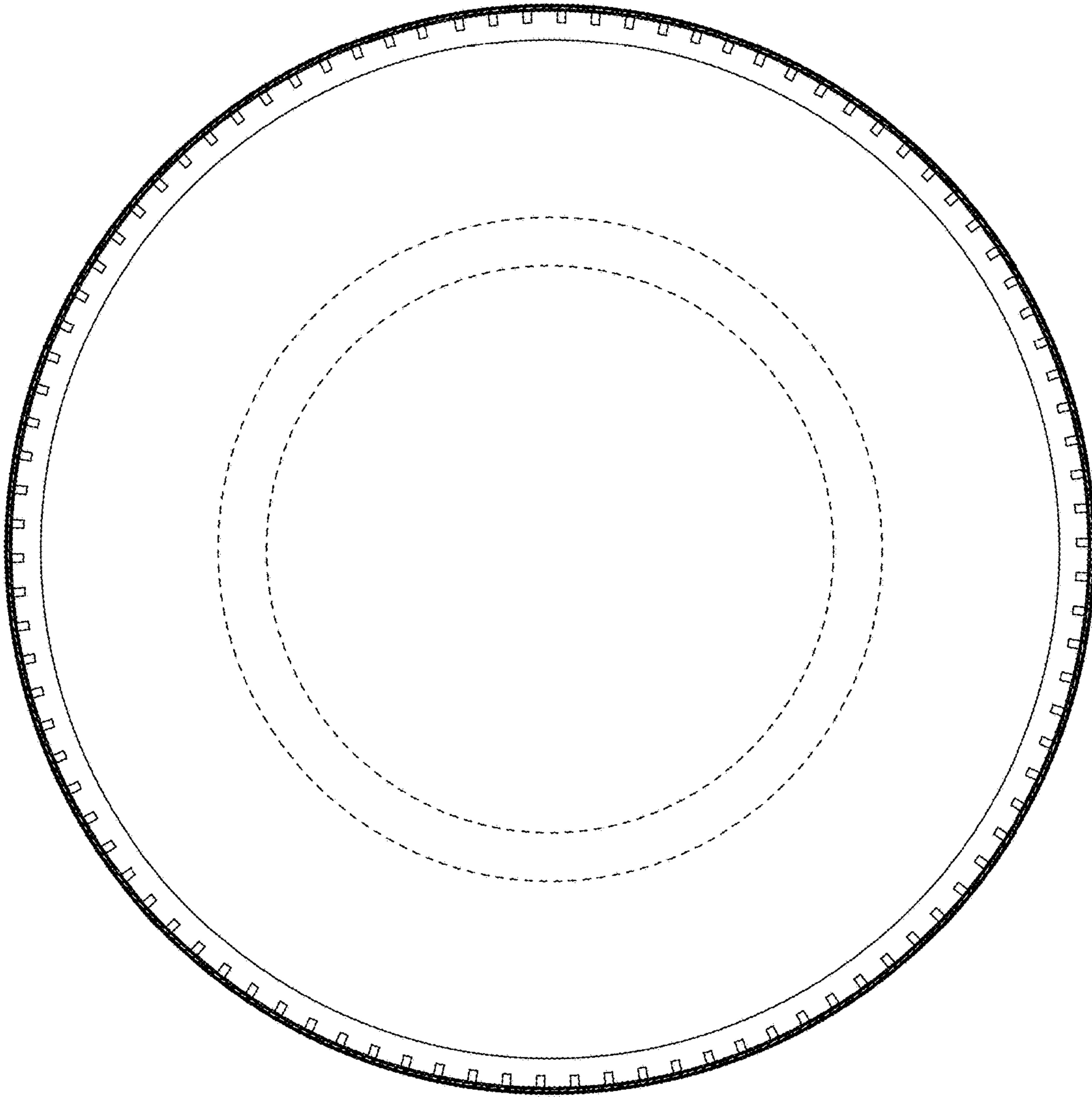


FIG. 3

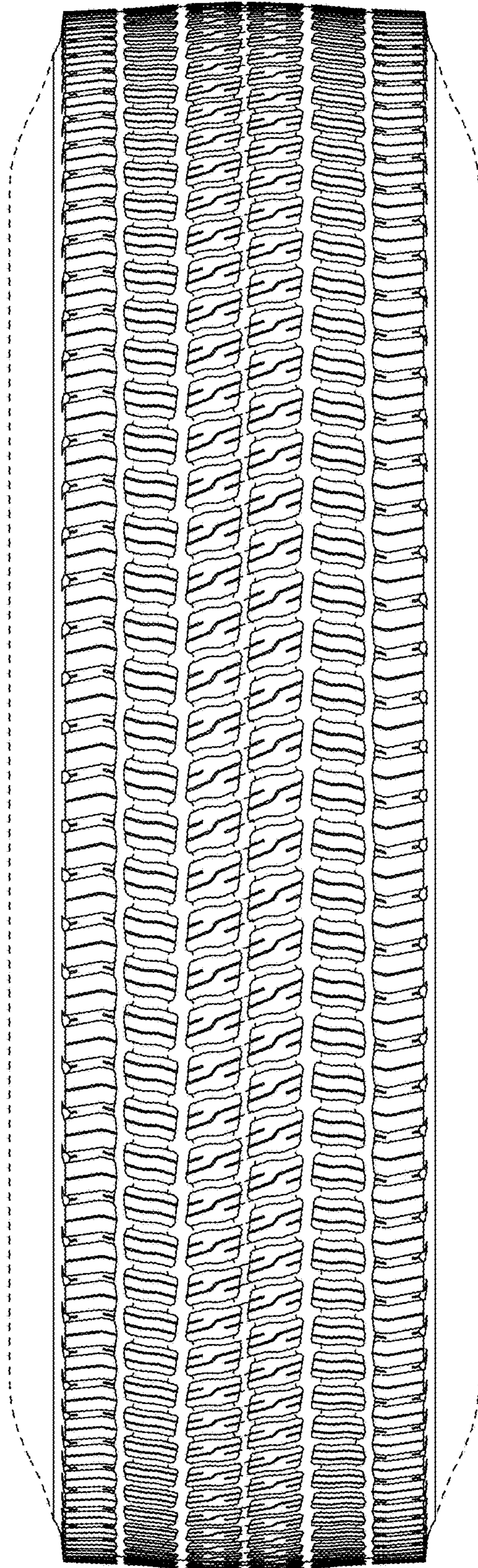


FIG. 4

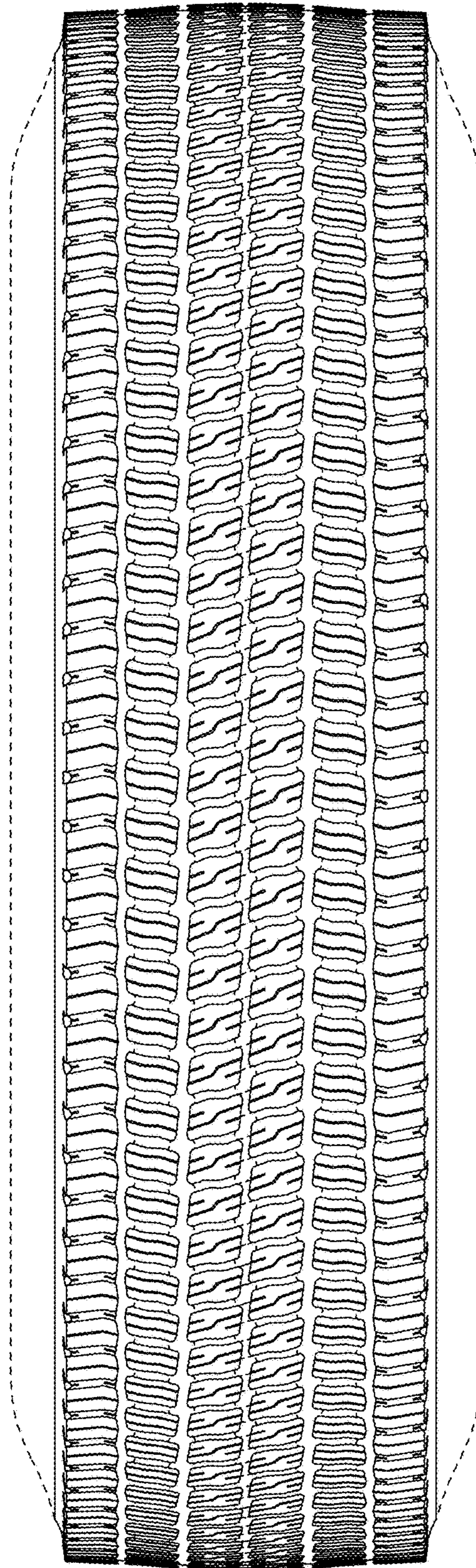


FIG. 5

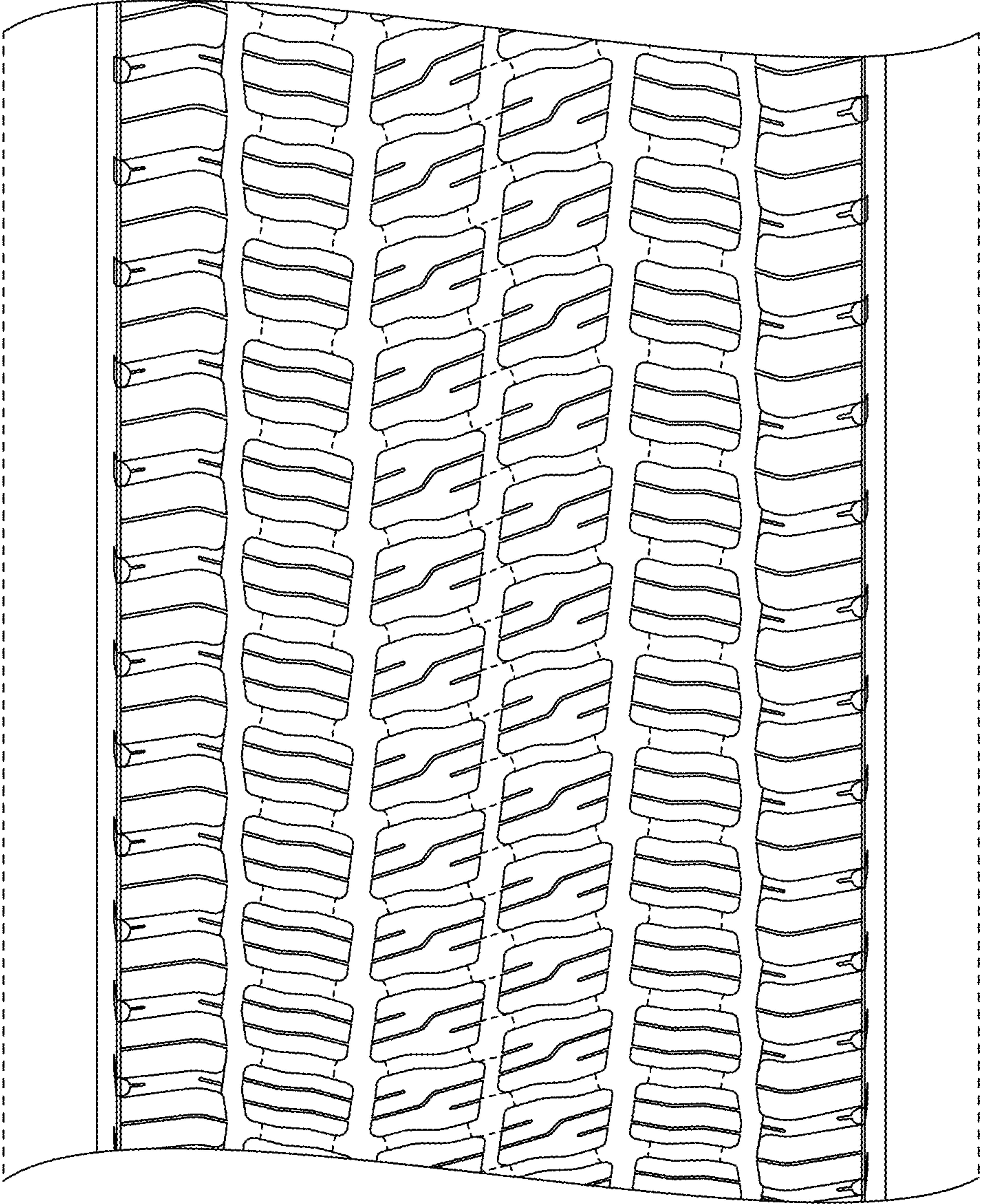


FIG. 6

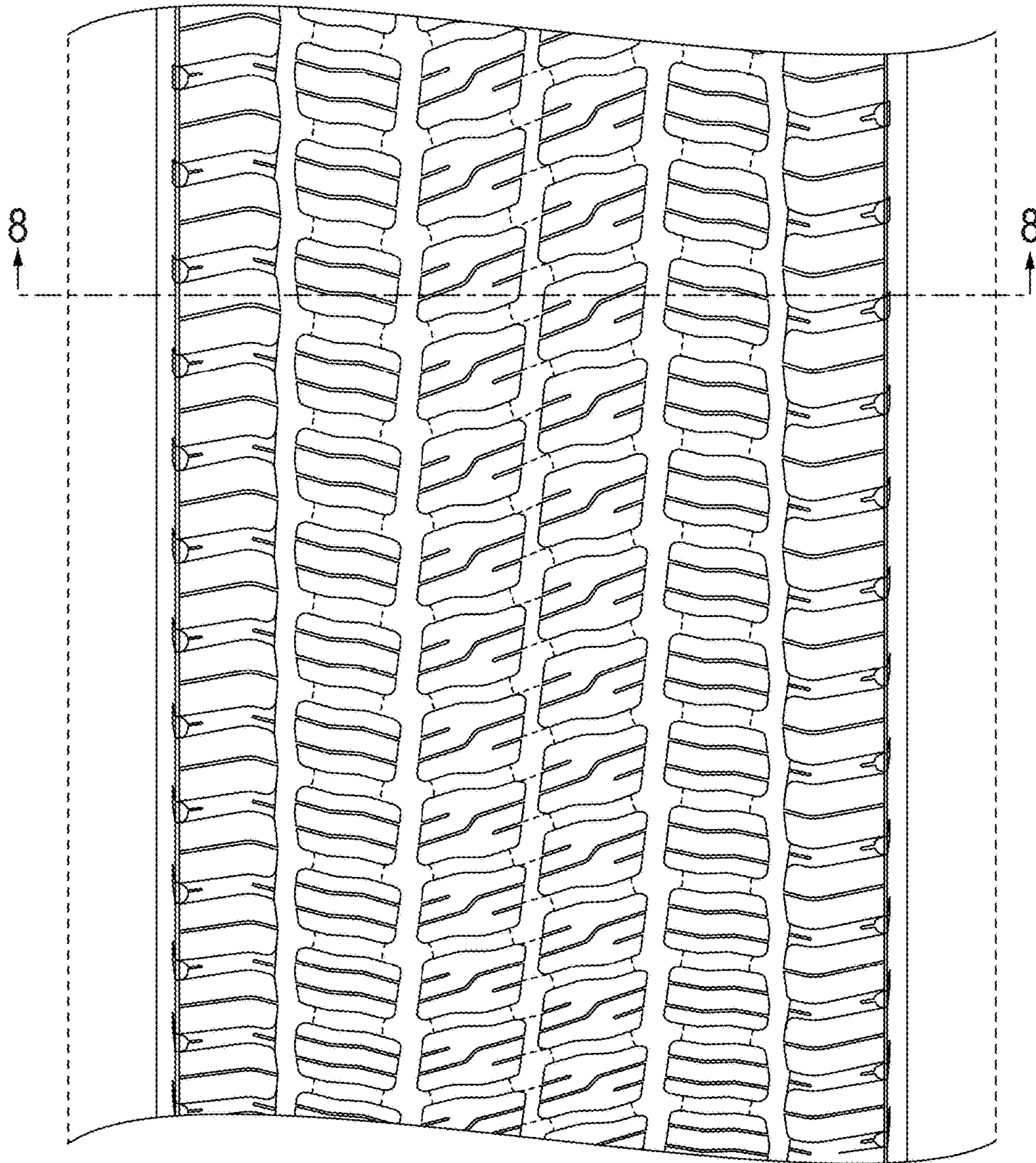


FIG. 7

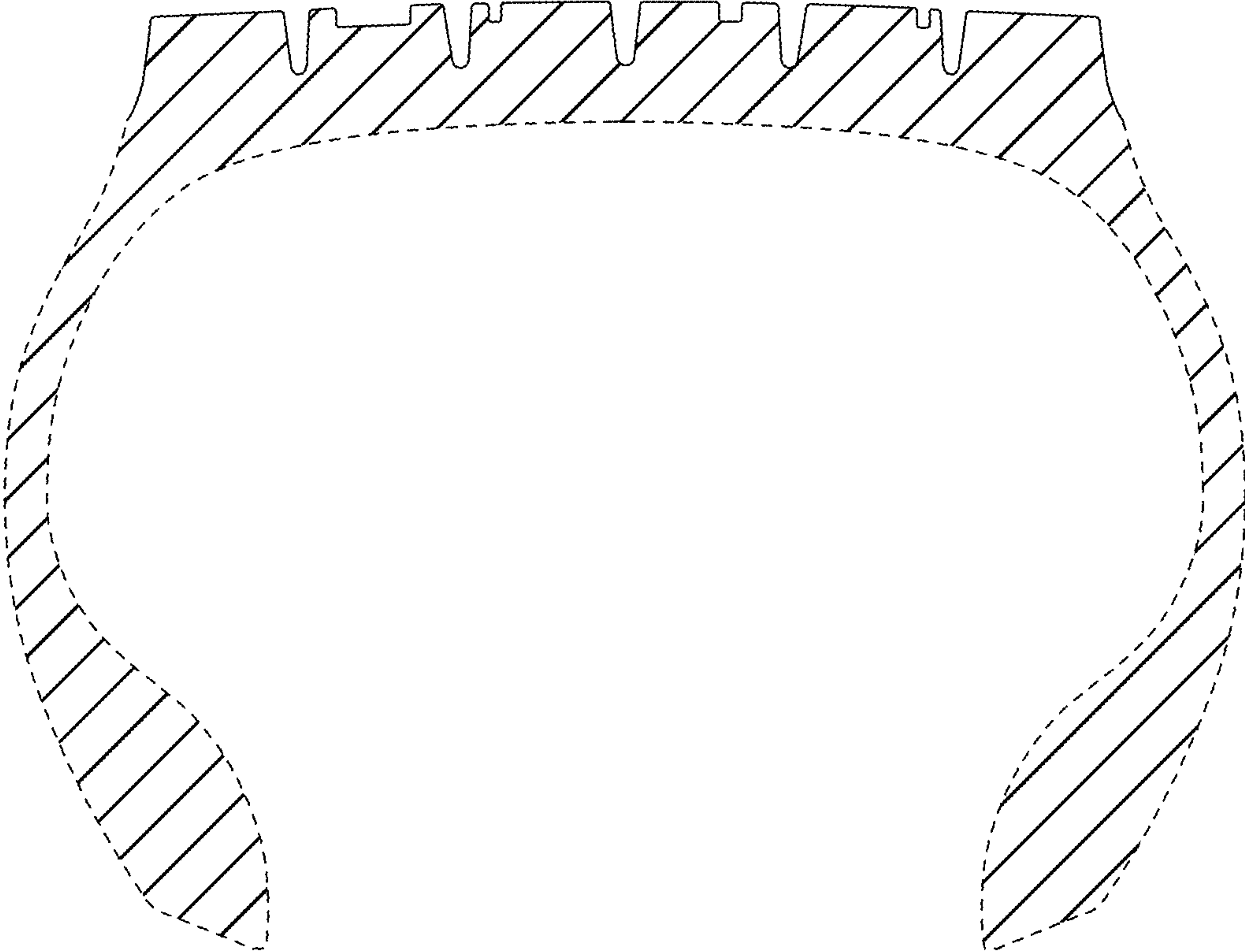


FIG. 8