



US00D781778S

(12) **United States Design Patent**  
**Shinzawa**

(10) **Patent No.:** **US D781,778 S**  
(45) **Date of Patent:** **\*\* Mar. 21, 2017**

(54) **AUTOMOBILE TIRE**

FOREIGN PATENT DOCUMENTS

(71) Applicant: **THE YOKOHAMA RUBBER CO., LTD.**, Minato-ku, Tokyo (JP)

JP D1535196 10/2015

(72) Inventor: **Tatsuro Shinzawa**, Hiratsuka (JP)

OTHER PUBLICATIONS

(73) Assignee: **THE YOKOHAMA RUBBER CO., LTD.**, Minato-ku, Tokyo (JP)

Oct. 27, 2005—(JP) Notification of Reasons for Refusal—App D2015-016210.

(\*\*) Term: **15 Years**

\* cited by examiner

(21) Appl. No.: **29/552,347**

*Primary Examiner* — Robert M Spear

*Assistant Examiner* — John Voytek

(22) Filed: **Jan. 21, 2016**

(74) *Attorney, Agent, or Firm* — Banner & Witcoff, Ltd.

(30) **Foreign Application Priority Data**

(57) **CLAIM**

Jul. 21, 2015 (JP) ..... 2015-016210

The ornamental design for an automobile tire, as shown and described.

(51) **LOC (10) Cl.** ..... **12-15**

(52) **U.S. Cl.**  
USPC ..... **D12/586**

**DESCRIPTION**

(58) **Field of Classification Search**  
USPC ..... D12/568–604  
CPC ..... B60C 1/0016; B60C 11/0306; B60C 11/0302; B60C 3/06; B60C 9/17  
See application file for complete search history.

FIG. 1 is a perspective view of an automobile tire showing our new design;  
FIG. 2 is a front view thereof;  
FIG. 3 is a rear view thereof;  
FIG. 4 is a right side view thereof;  
FIG. 5 is a left side view thereof;  
FIG. 6 is a top view thereof;  
FIG. 7 is a bottom view thereof;  
FIG. 8 is a partially enlarged view of a portion defined by lines 8-8 shown in FIG. 1;  
FIG. 9 is a partially enlarged view of a portion defined by lines 9-9 shown in FIG. 2; and,  
FIG. 10 is a cross sectional view of a portion defined by lines 10-10 shown in FIG. 9.

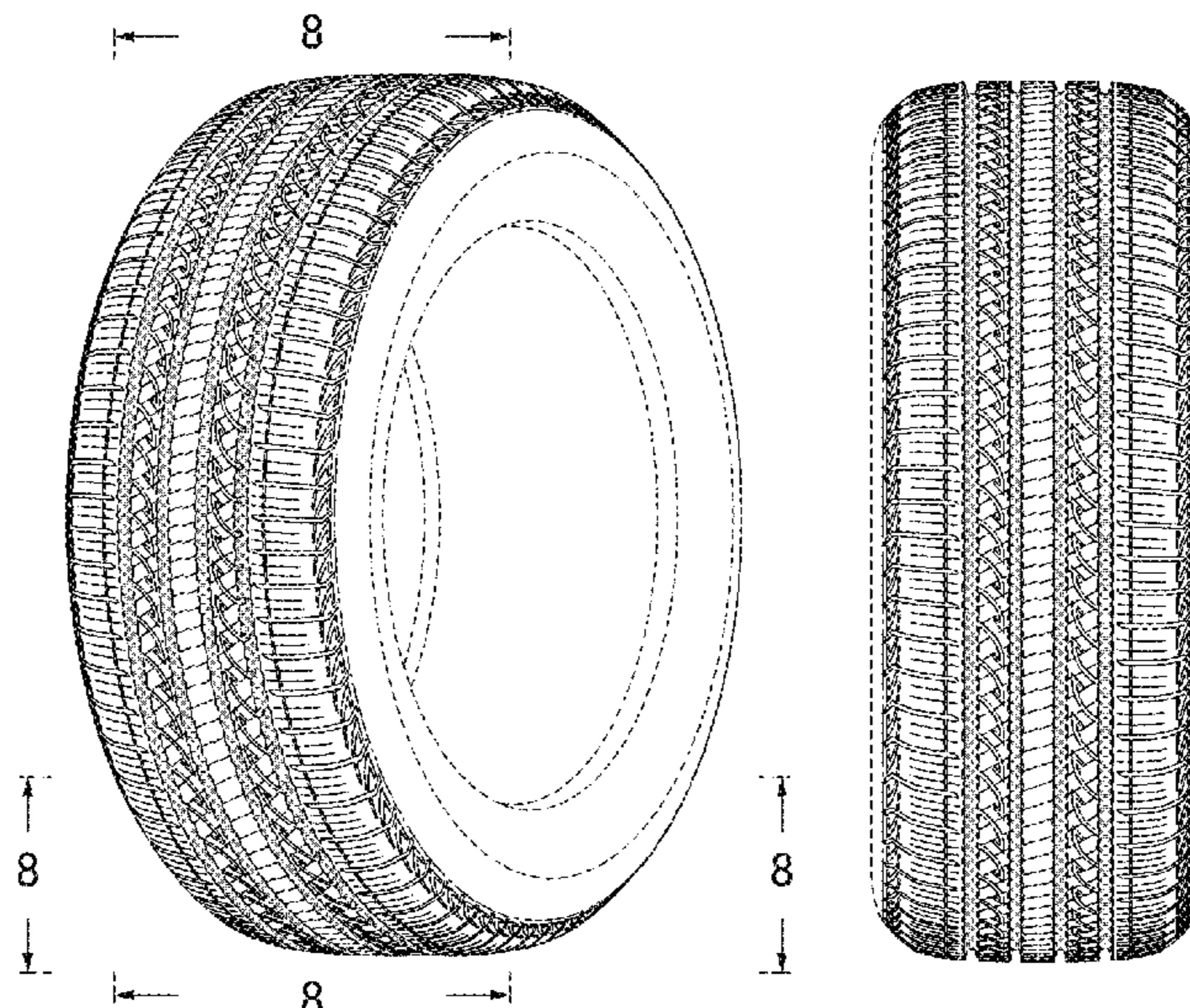
(56) **References Cited**

U.S. PATENT DOCUMENTS

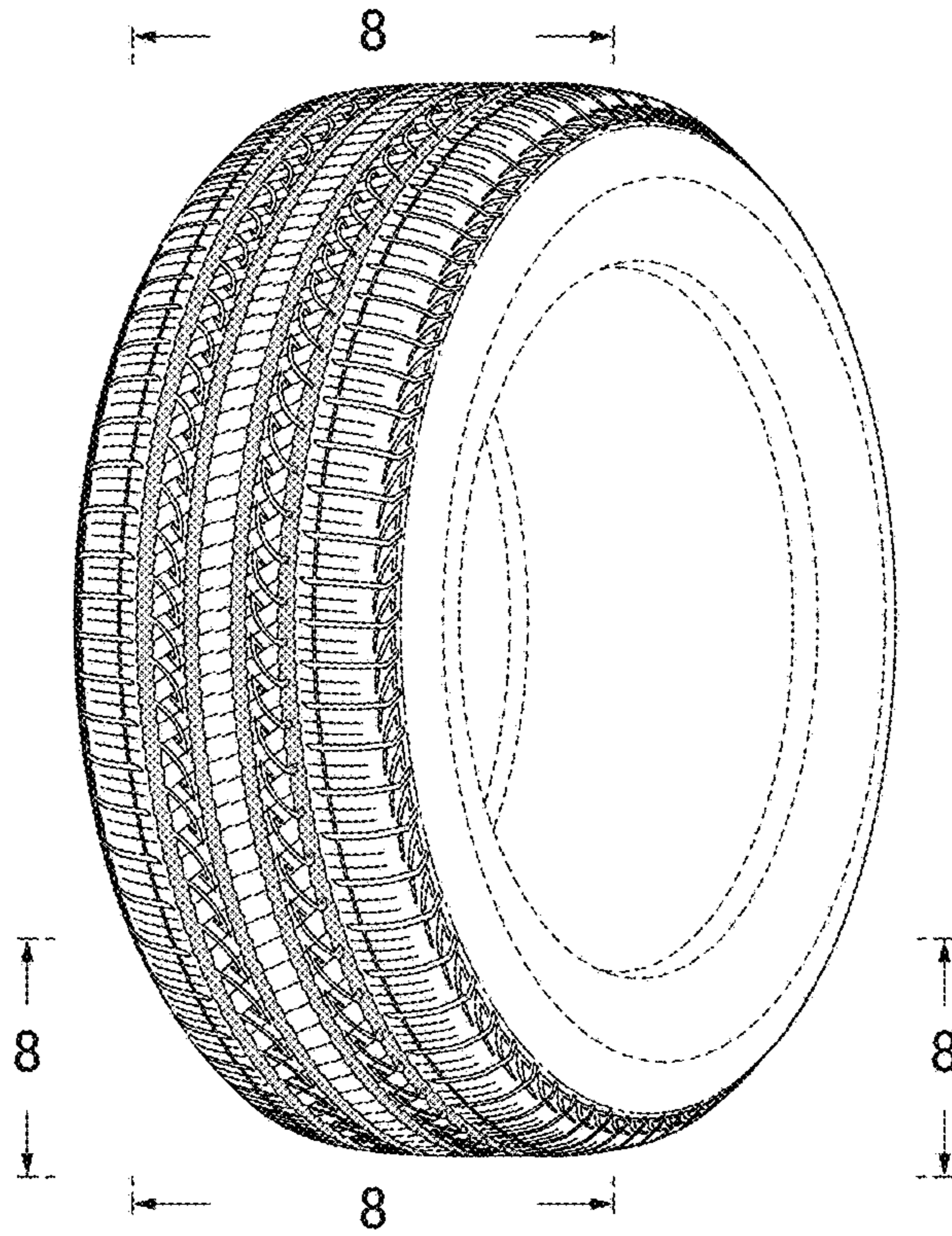
D368,450 S *	4/1996	Lassan	.....	D12/589
D410,600 S *	6/1999	Matsuda	.....	D12/590
D430,830 S *	9/2000	Guspodin	.....	D12/585
D436,900 S *	1/2001	Buresh	.....	D12/588
D483,007 S *	12/2003	Brayer	.....	D12/588
D488,771 S *	4/2004	Villamizar	.....	D12/590
D561,685 S *	2/2008	Lee	.....	D12/588
D593,937 S *	6/2009	Maxwell	.....	D12/588
D610,970 S *	3/2010	You	.....	D12/590
D740,208 S *	10/2015	Rohweder	.....	D12/584
D740,745 S *	10/2015	Tian	.....	D12/586
D744,411 S *	12/2015	Tian	.....	D12/588
D761,196 S *	7/2016	Dixon	.....	D12/601

In the drawings, the broken lines depict environmental subject matter only and form no part of the claimed design. The dot and dashed lines indicate a boundary between the claimed and unclaimed portion of the design.

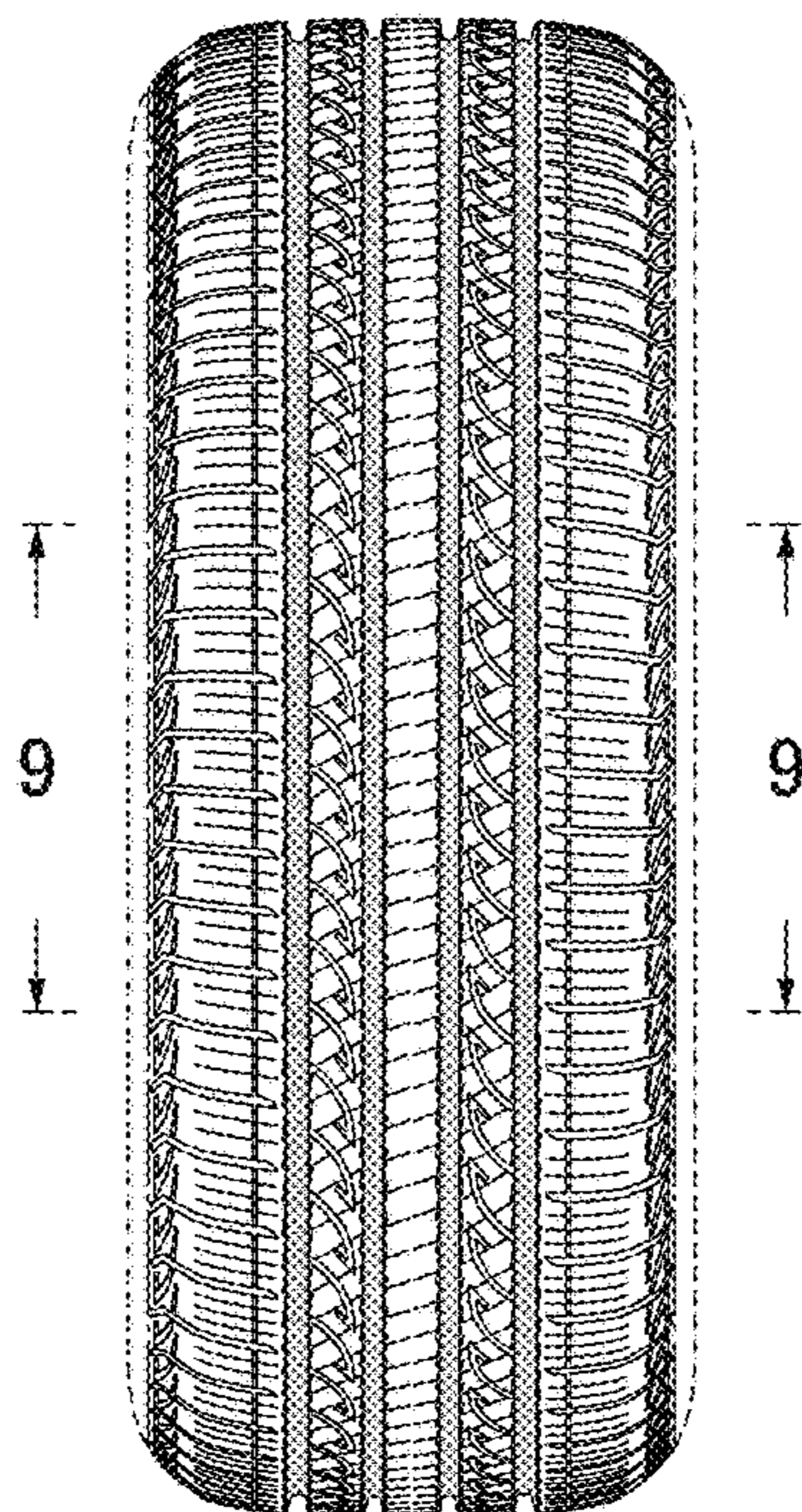
**1 Claim, 5 Drawing Sheets**



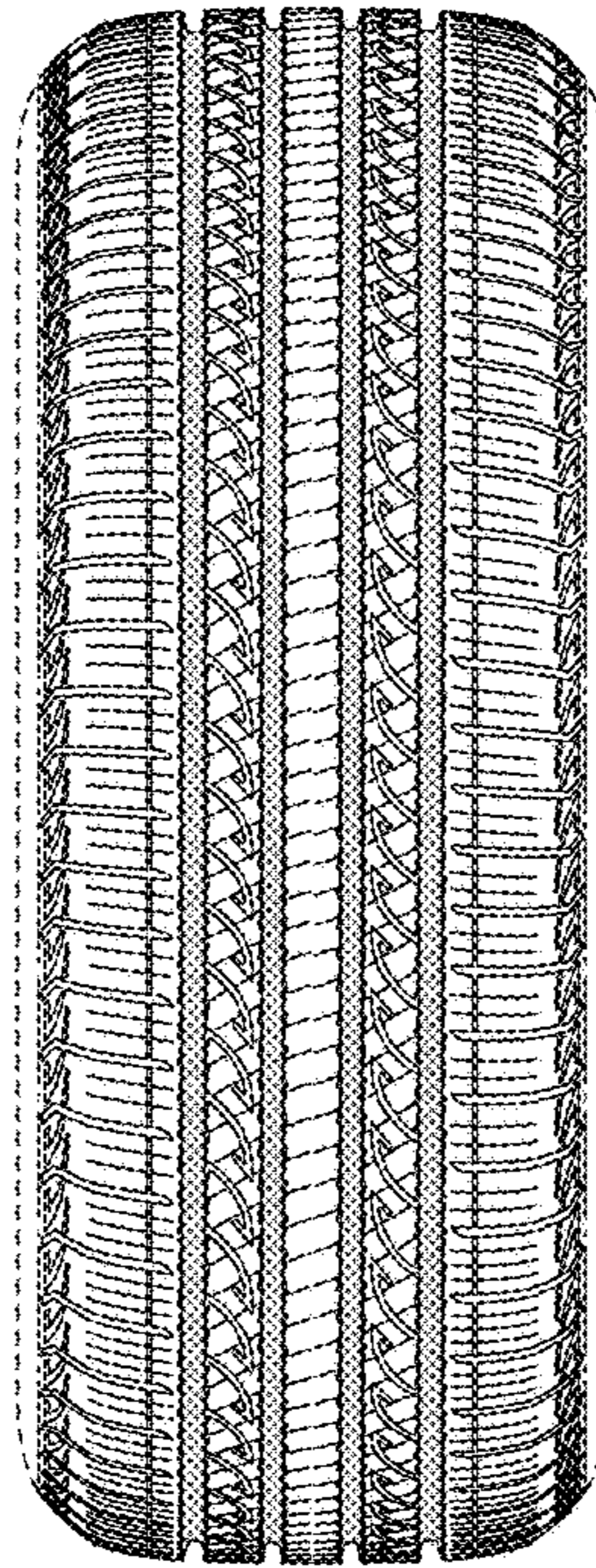
**FIG. 1**



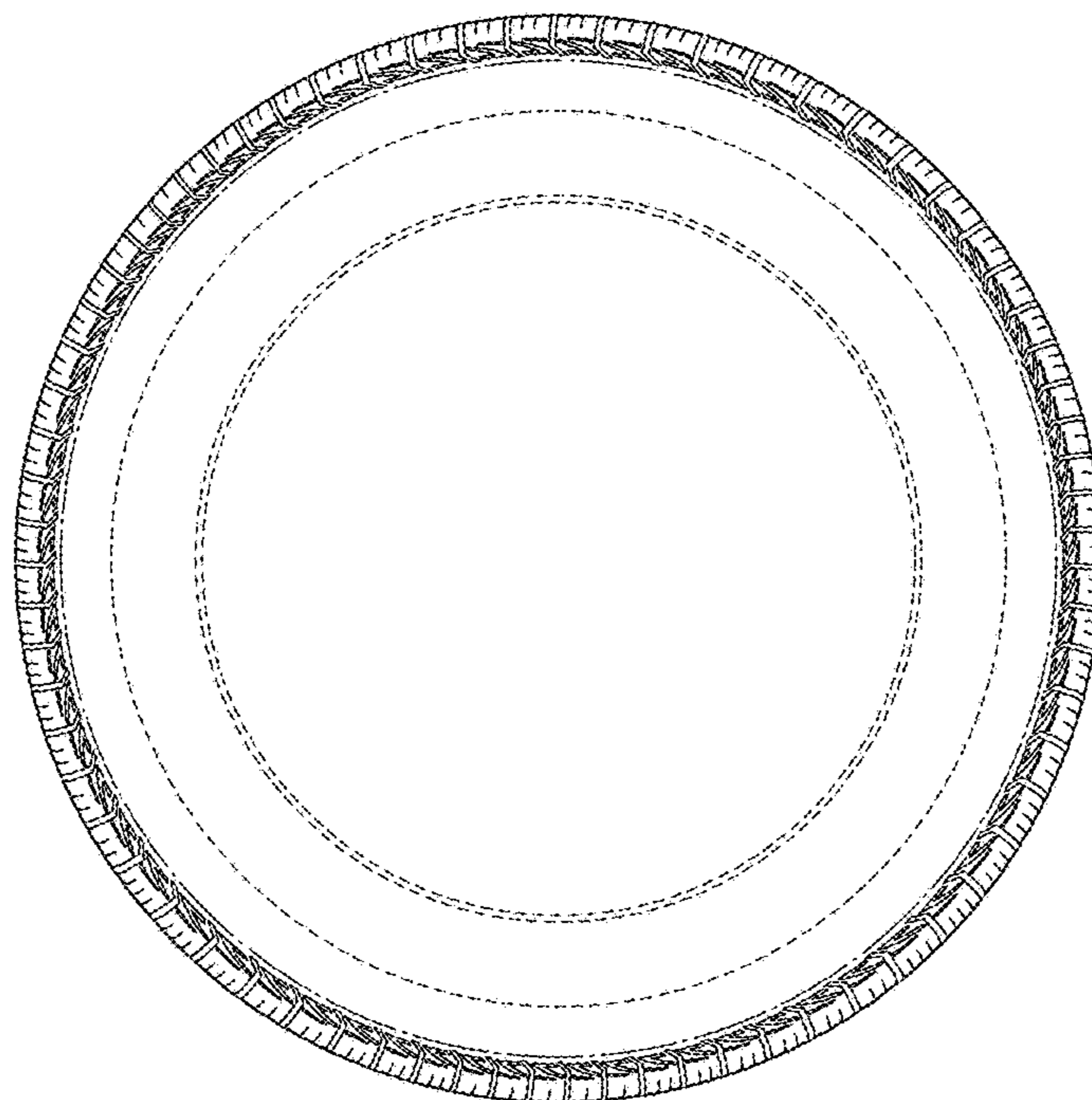
**FIG. 2**



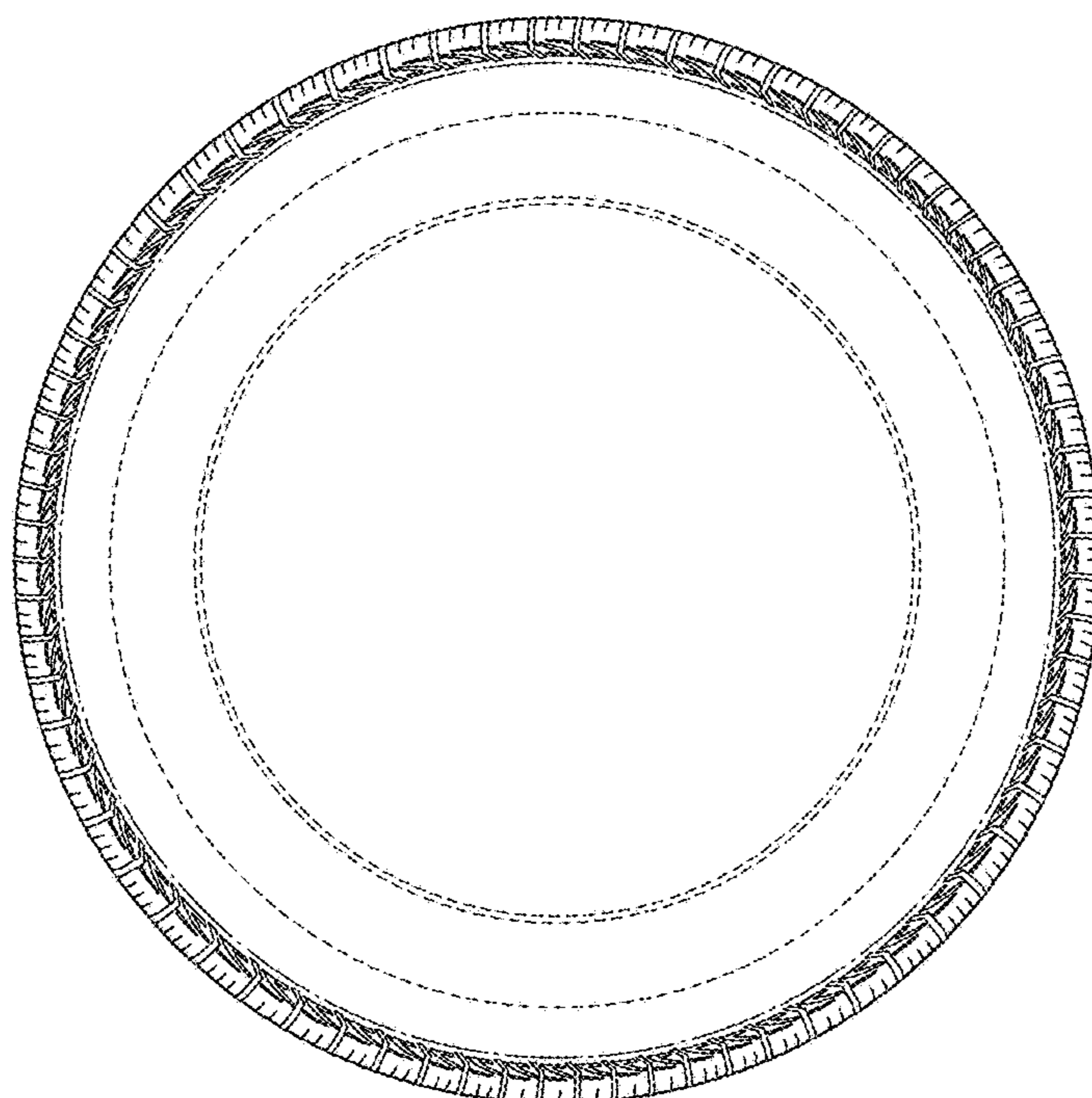
**FIG. 3**



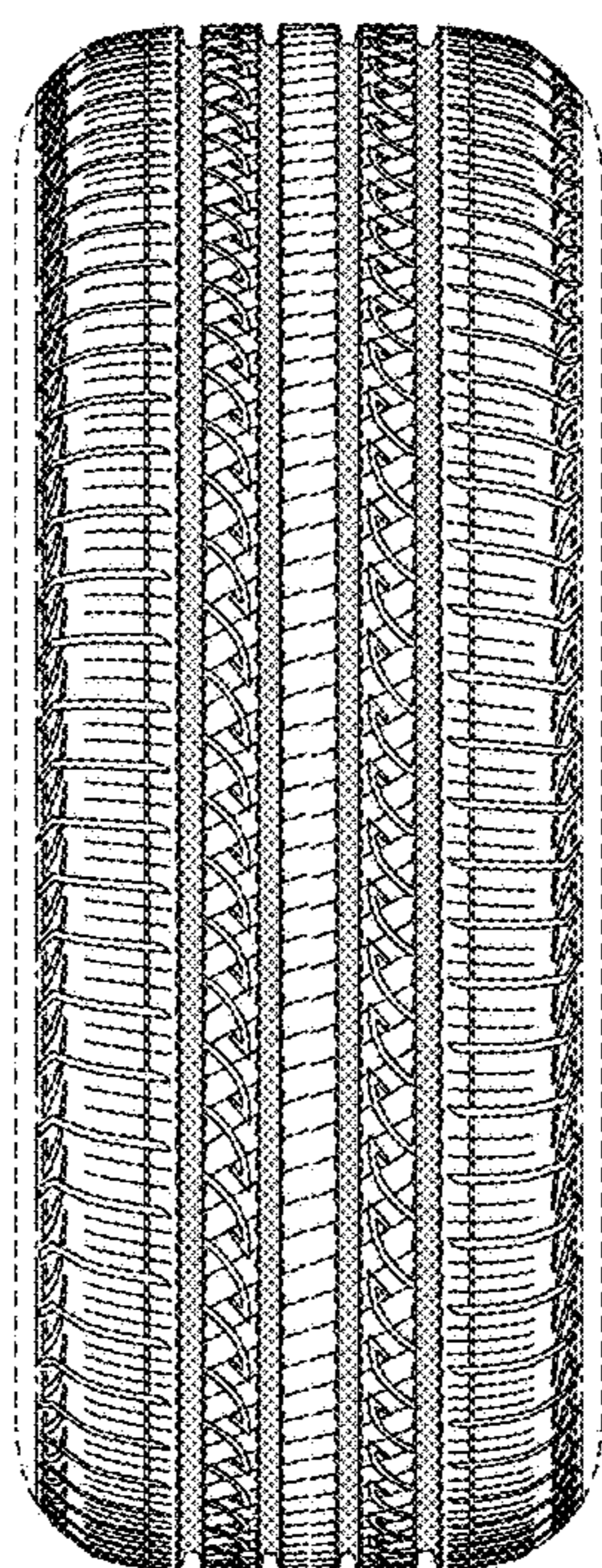
**FIG. 4**



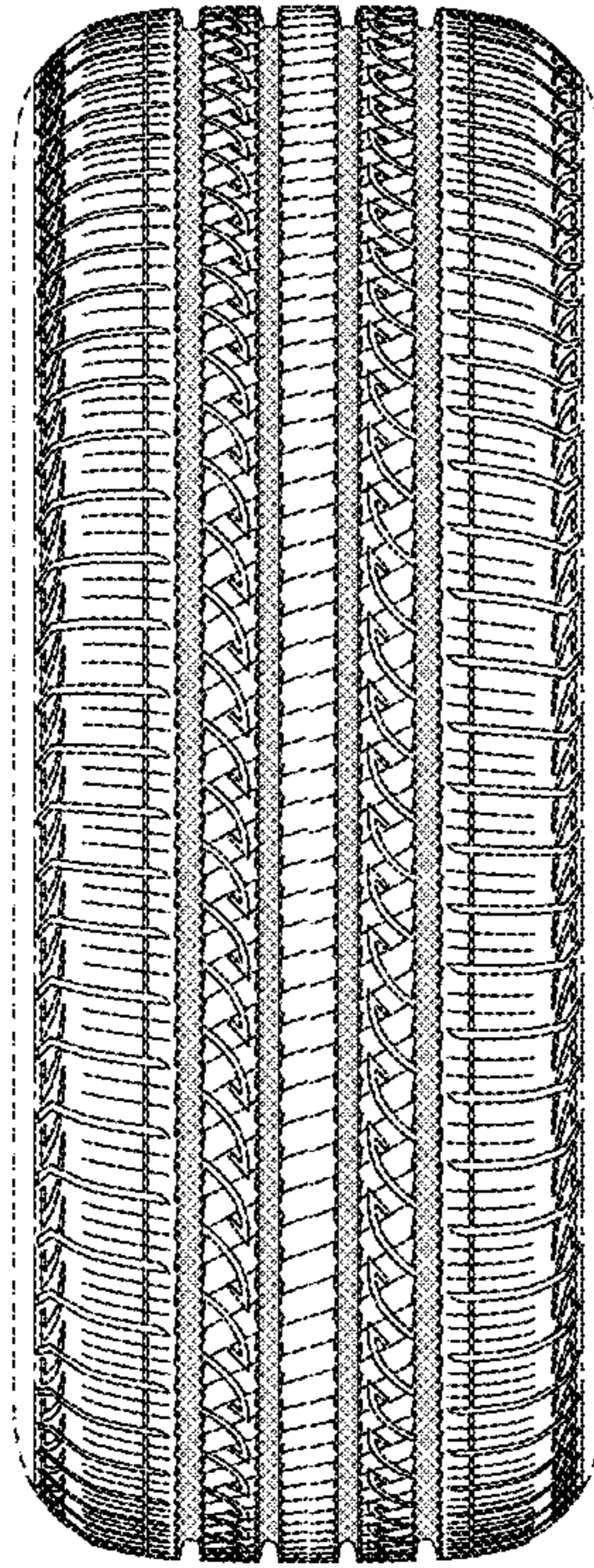
**FIG. 5**



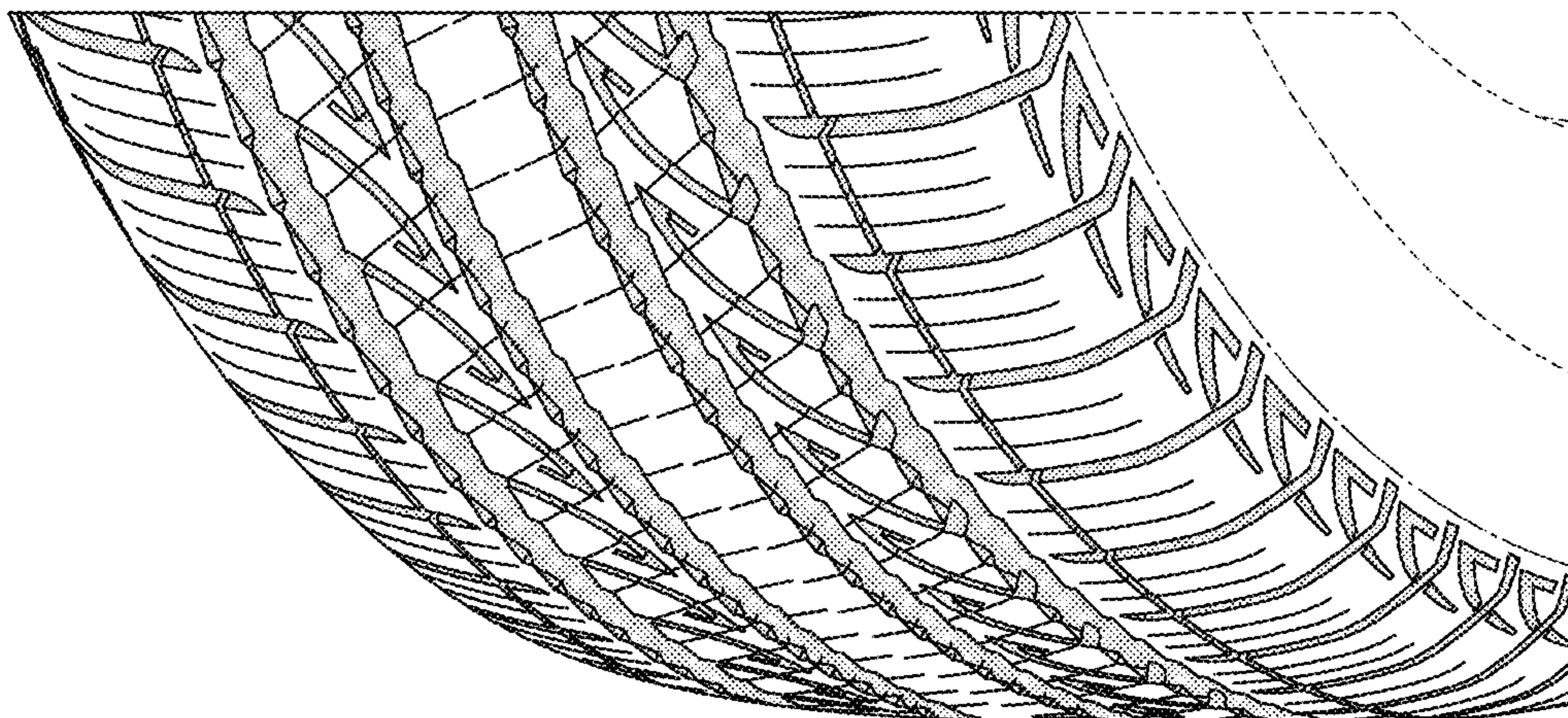
**FIG. 6**



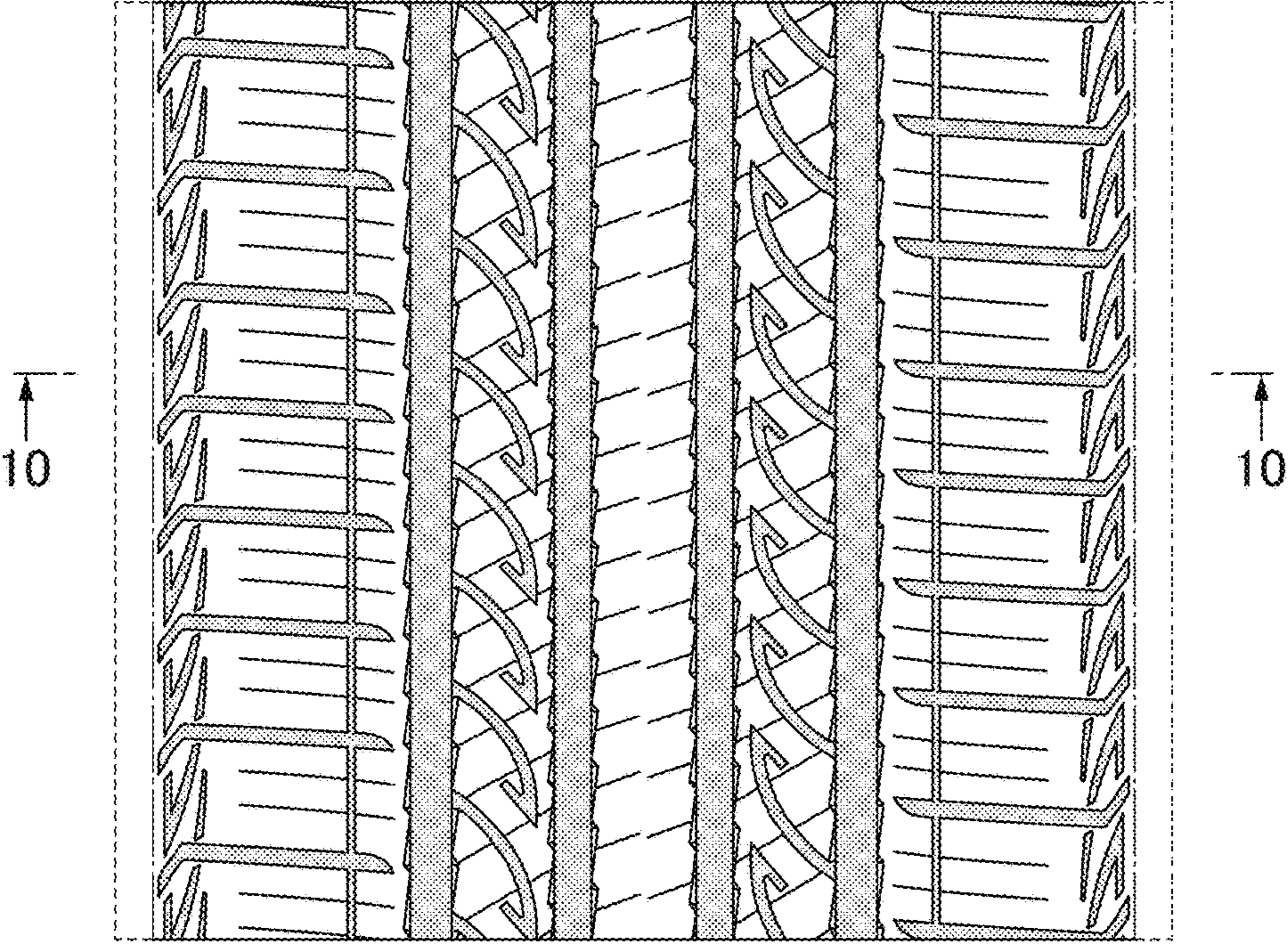
**FIG. 7**



**FIG. 8**



**FIG. 9**



**FIG. 10**

