



US00D781772S

(12) **United States Design Patent**
Sanz et al.

(10) **Patent No.:** **US D781,772 S**
(45) **Date of Patent:** **** Mar. 21, 2017**

(54) **COMBINED GROUND STATION AND CASE FOR UNMANNED AERIAL VEHICLE**

D704,442 S * 5/2014 Chen D3/294
9,429,953 B1 * 8/2016 Miller G05D 1/0676
D766,159 S * 9/2016 Noorani D12/345

(Continued)

(71) Applicant: **Skycatch, Inc.**, San Francisco, CA (US)

Primary Examiner — Robert M Spear

(72) Inventors: **Christian Sanz**, San Francisco, CA (US); **Samuel Giles Miller**, Folsom, CA (US)

Assistant Examiner — Marissa J Cash

(74) *Attorney, Agent, or Firm* — Keller Jolley Preece

(73) Assignee: **SKYCATCH, INC.**, San Francisco, CA (US)

(**) Term: **15 Years**

(21) Appl. No.: **29/537,670**

(22) Filed: **Aug. 27, 2015**

(51) **LOC (10) Cl.** **12-07**

(52) **U.S. Cl.**

USPC **D12/345**; D3/294

(58) **Field of Classification Search**

USPC D12/16.1, 319, 323–345, 418; D21/436, D21/438, 439, 440, 441, 447, 448, 449, D21/450, 452, 453, 454, 455; D3/272, D3/273, 274, 294

CPC B64C 1/062; B64C 39/024; B64C 27/08; B64D 11/0015; B64D 11/003; B64D 11/00

See application file for complete search history.

(56) **References Cited**

U.S. PATENT DOCUMENTS

D234,273 S *	2/1975	Wilson	D3/272
D356,891 S *	4/1995	Hobson	D3/201
D381,512 S *	7/1997	Green	D3/273
D419,767 S *	2/2000	Richardson	D3/273
D578,759 S *	10/2008	Grenier	D3/294
D580,169 S *	11/2008	Gibson	D3/272
7,631,834 B1 *	12/2009	Johnson	B64C 39/024 244/17.11
D643,213 S *	8/2011	Hsiao	D3/272
D668,047 S *	10/2012	Cenzano	D3/272

(57) **CLAIM**

The ornamental design for a combined ground station and case for unmanned aerial vehicle, as shown and described.

DESCRIPTION

FIG. 1 is a perspective view of a combined ground station and case for unmanned aerial vehicle showing our design in a closed configuration.

FIG. 2 is another perspective view thereof.

FIG. 3 is a left side view thereof.

FIG. 4 is a right side view thereof.

FIG. 5 is a front view thereof.

FIG. 6 is a back view thereof.

FIG. 7 is a top view thereof.

FIG. 8 is a bottom view thereof.

FIG. 9 is a perspective view of the combined ground station and case for unmanned aerial vehicle in an open configuration shown in an open configuration.

FIG. 10 is another perspective view thereof.

FIG. 11 is a left side view thereof.

FIG. 12 is a right side view thereof.

FIG. 13 is a back view thereof.

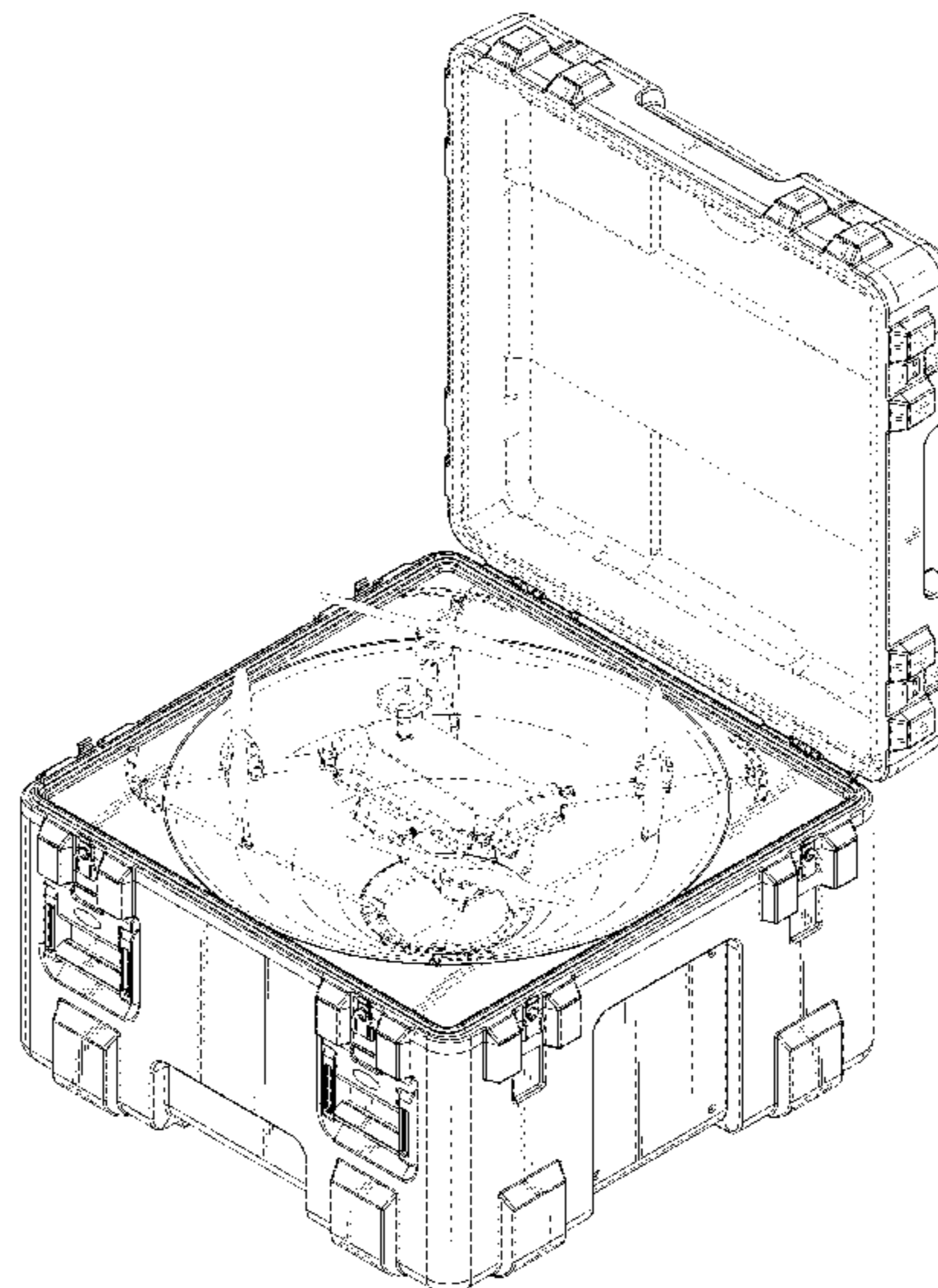
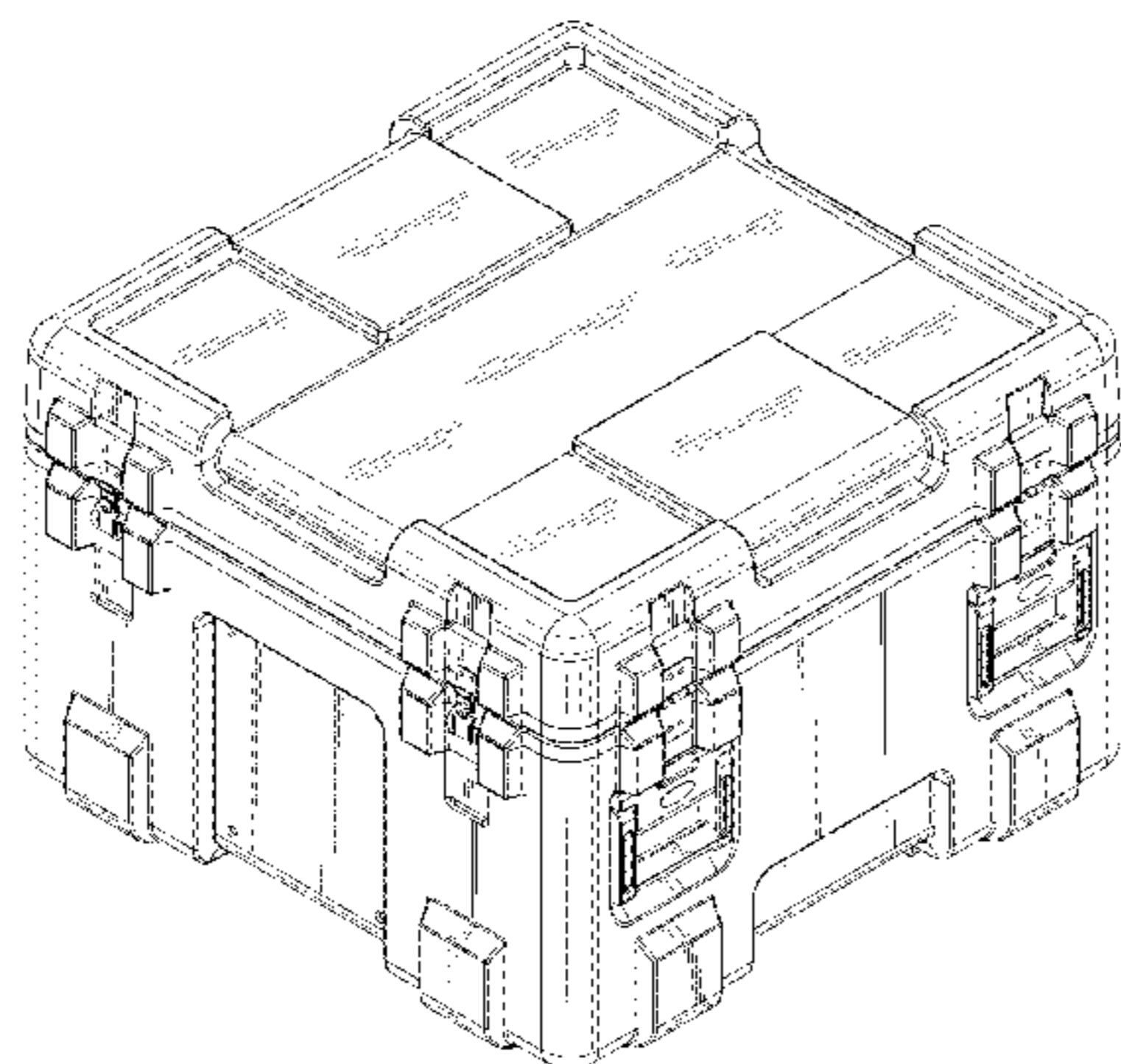
FIG. 14 is a front view thereof.

FIG. 15 is a top view thereof; and,

FIG. 16 is a bottom view thereof.

The broken lines in the drawings represent unclaimed environmental subject matter and form no part of the claim.

1 Claim, 14 Drawing Sheets



(56)

References Cited

U.S. PATENT DOCUMENTS

2016/0068277 A1* 3/2016 Manitta B64F 1/00
244/114 R

* cited by examiner

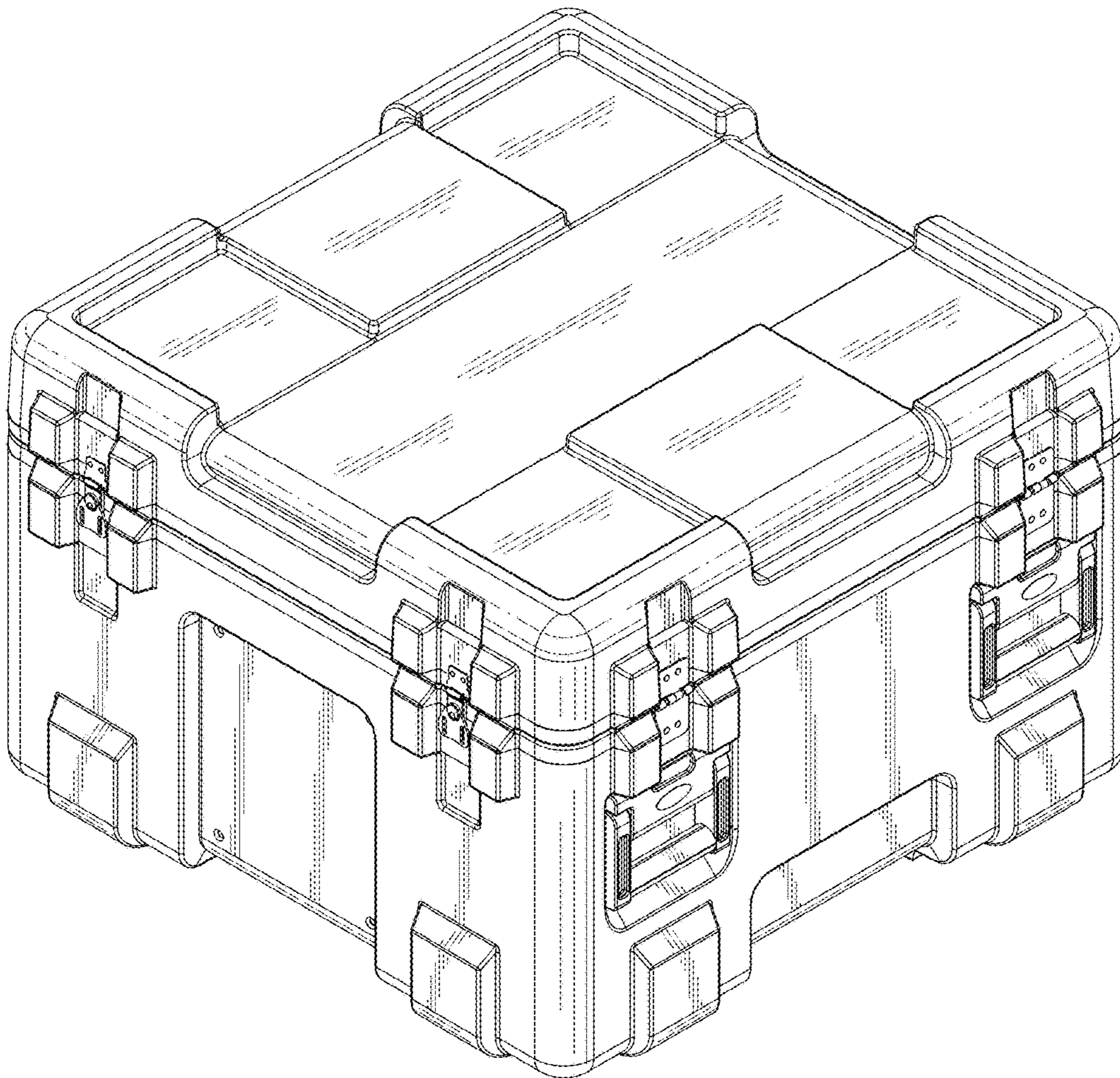


FIG. 1

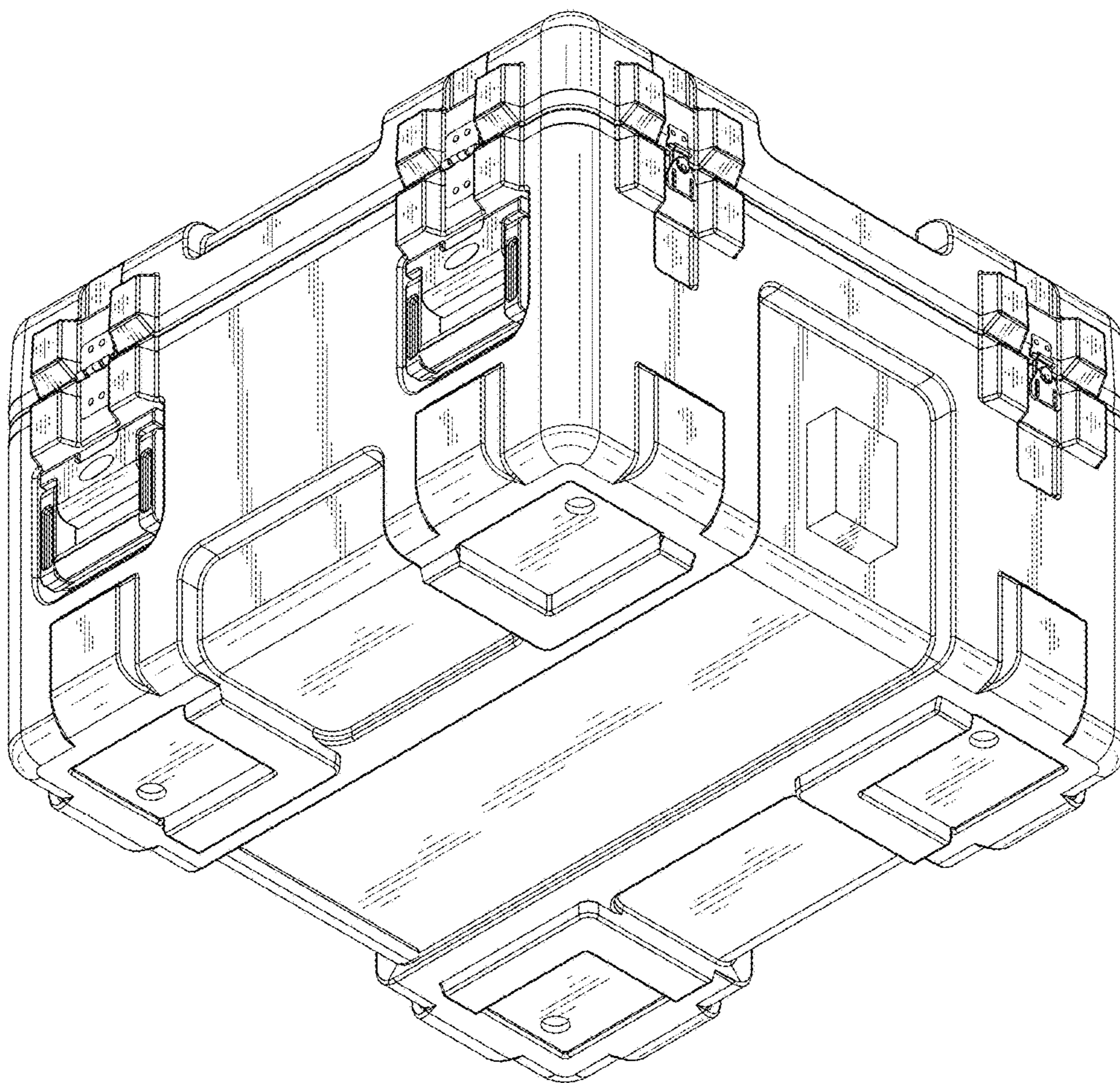


FIG. 2

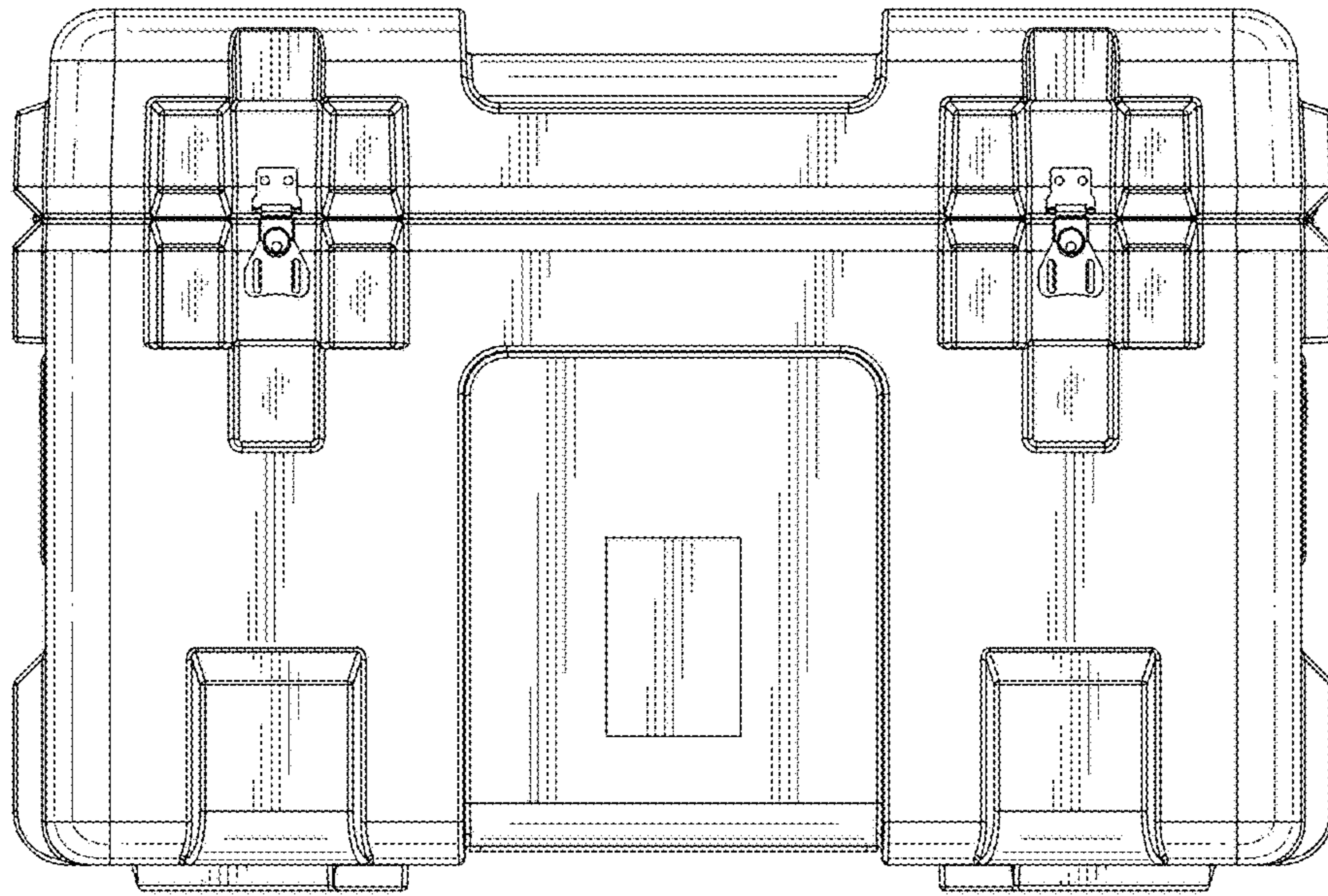


FIG. 3

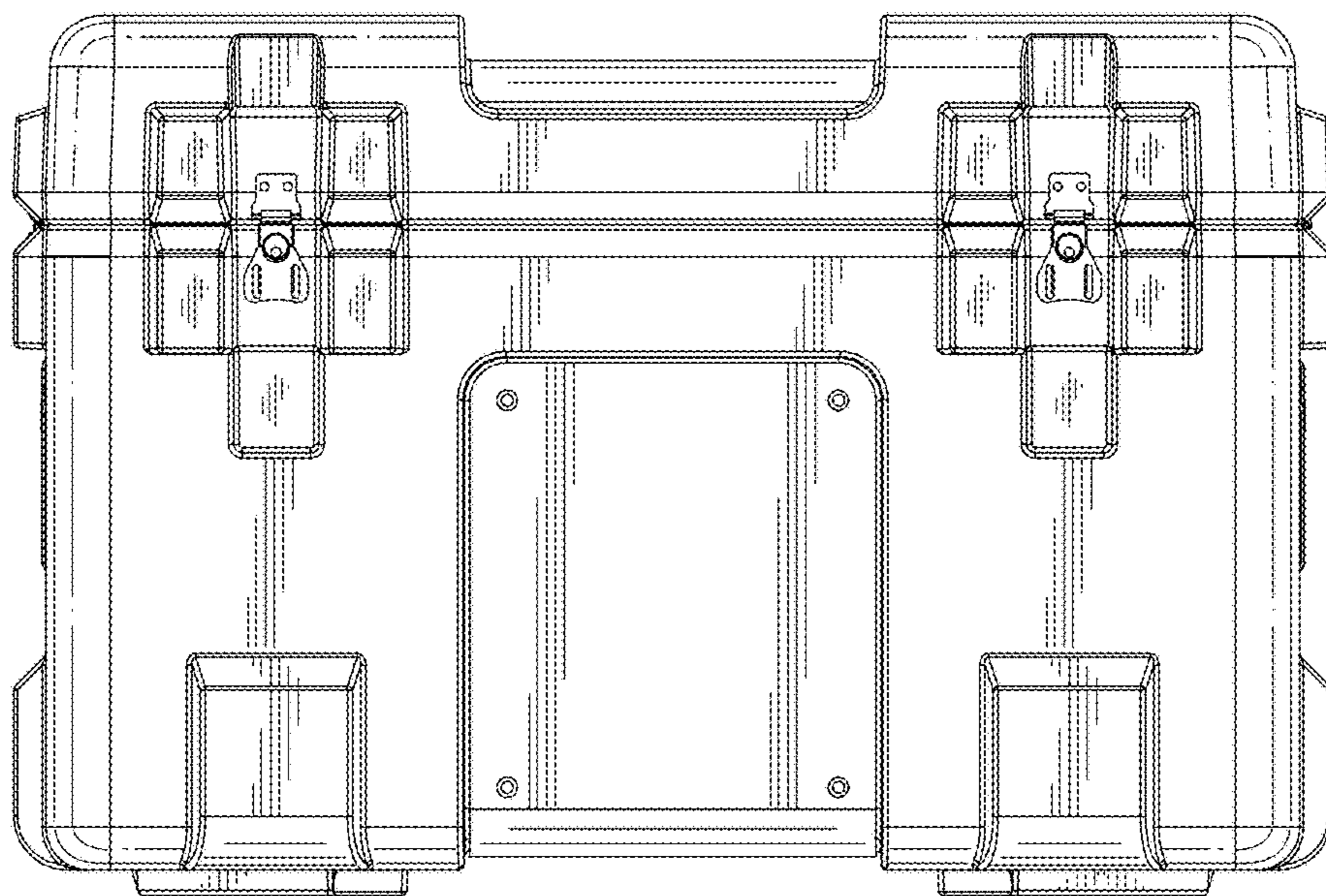


FIG. 4

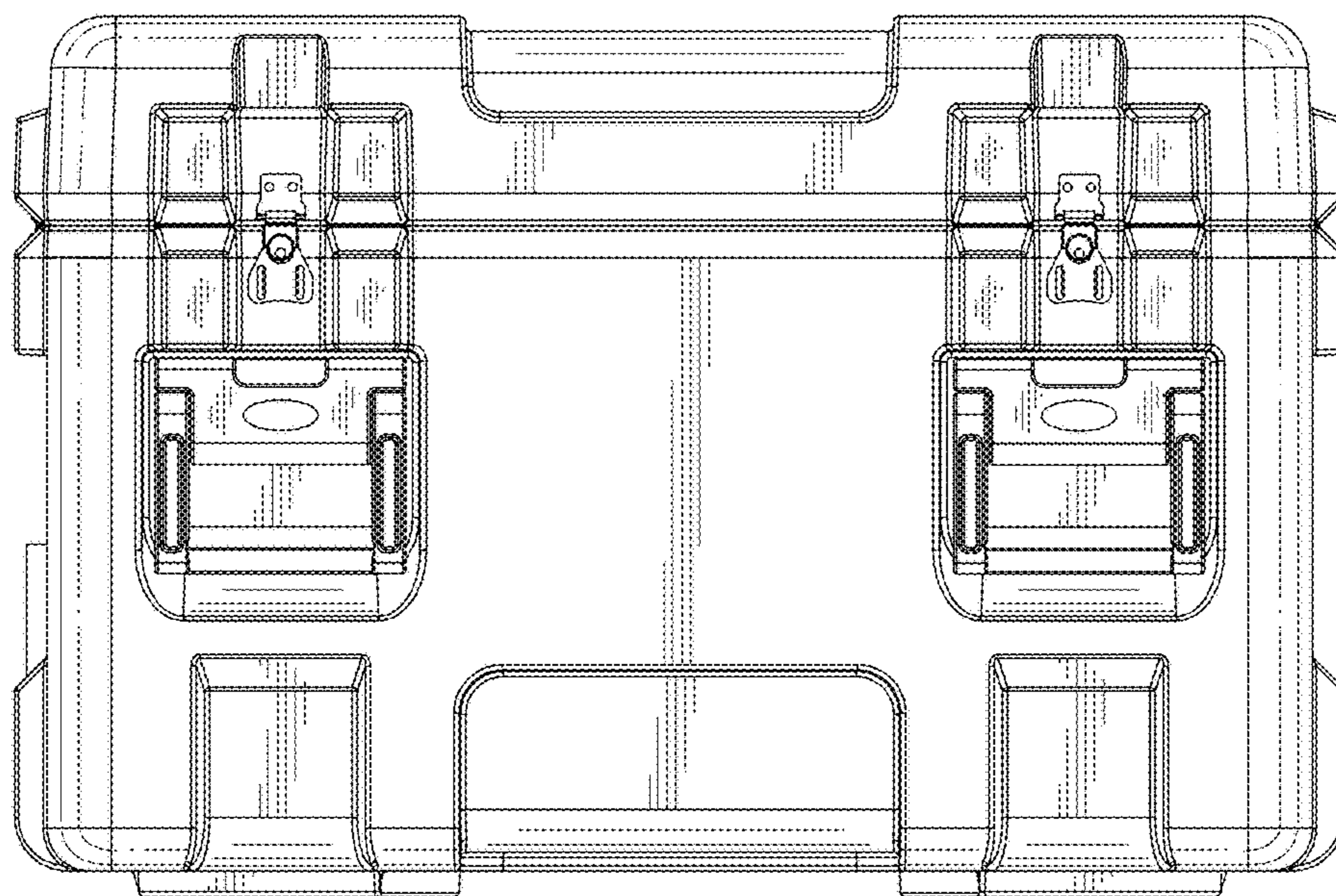


FIG. 5

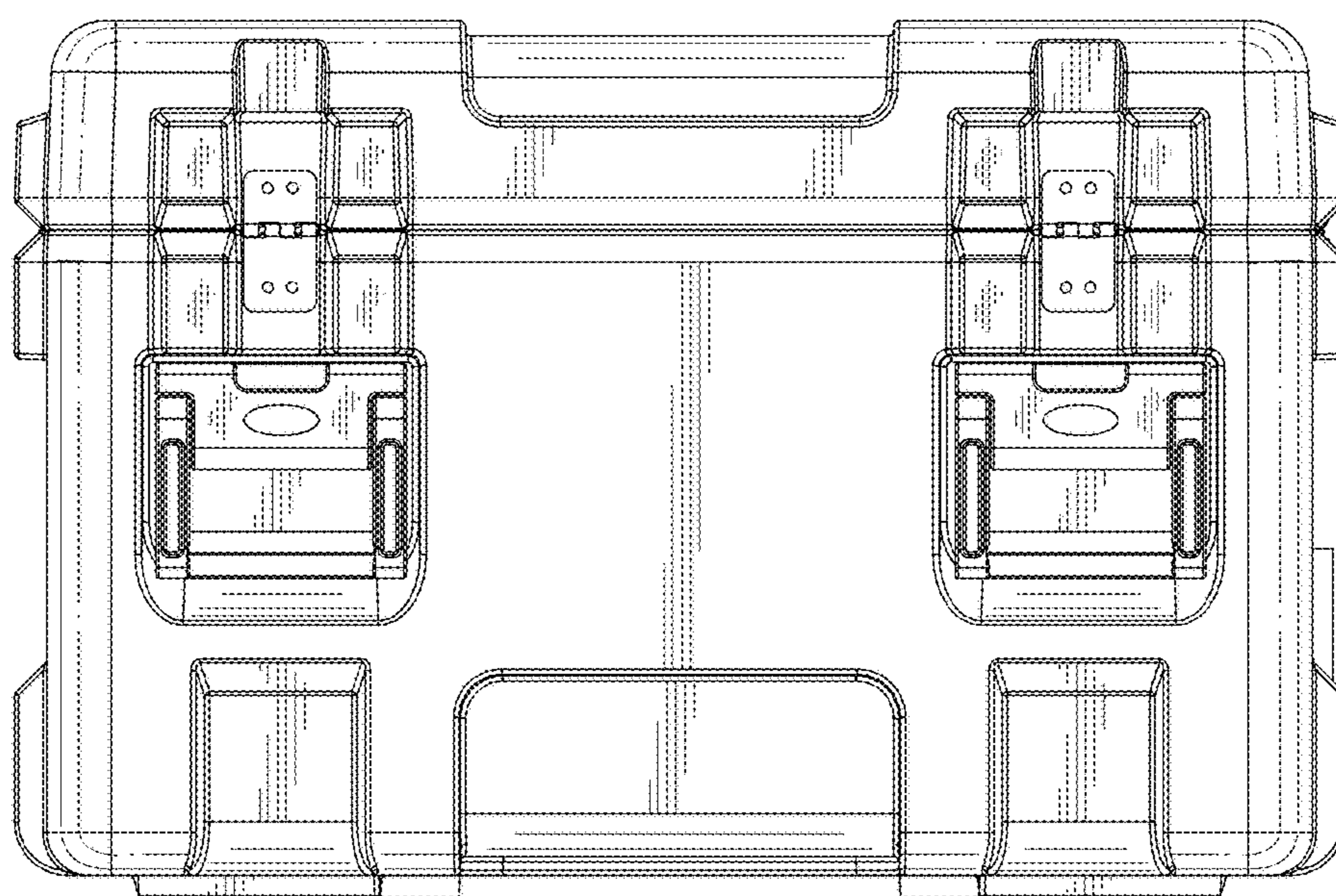


FIG. 6

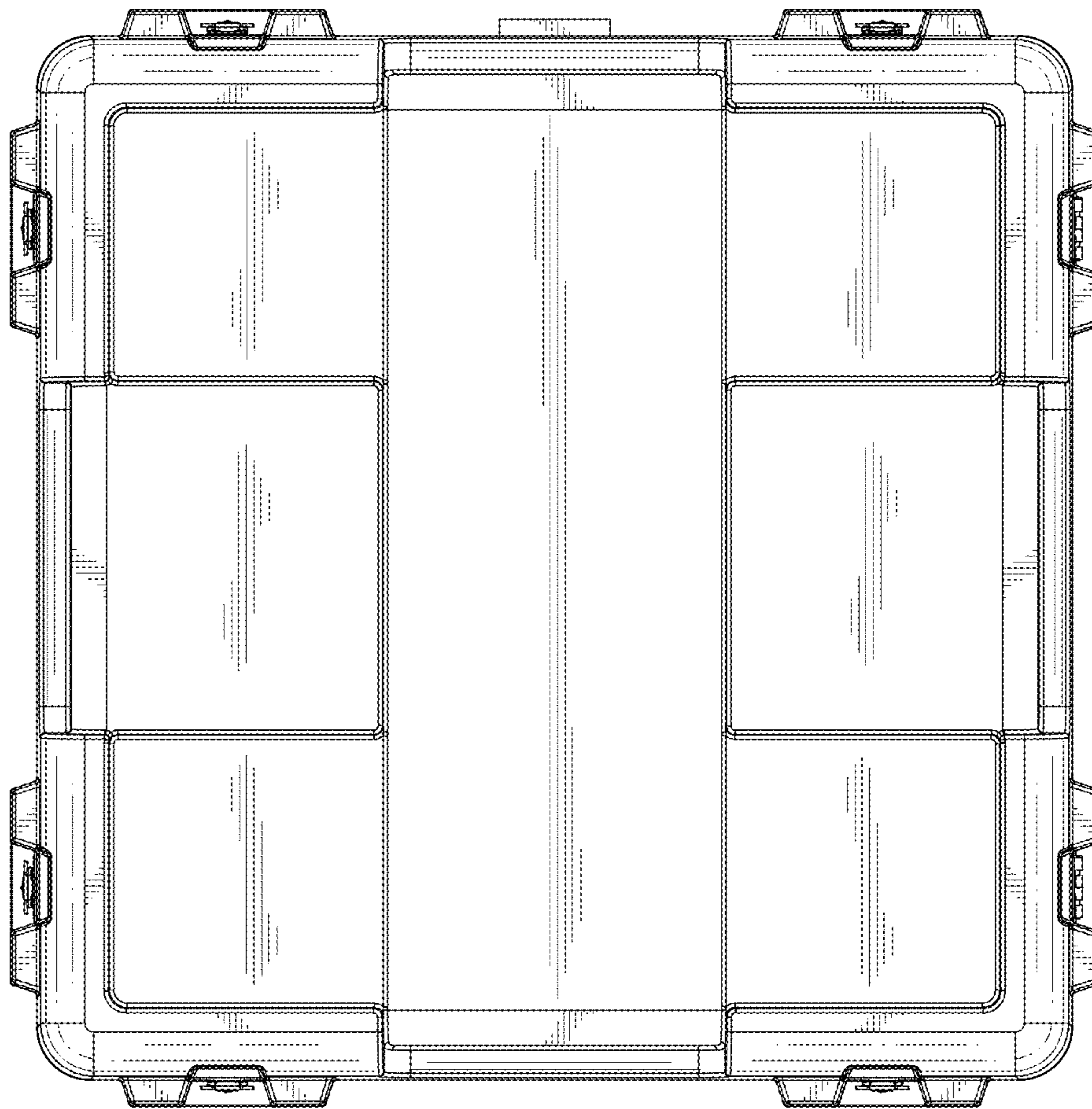


FIG. 7

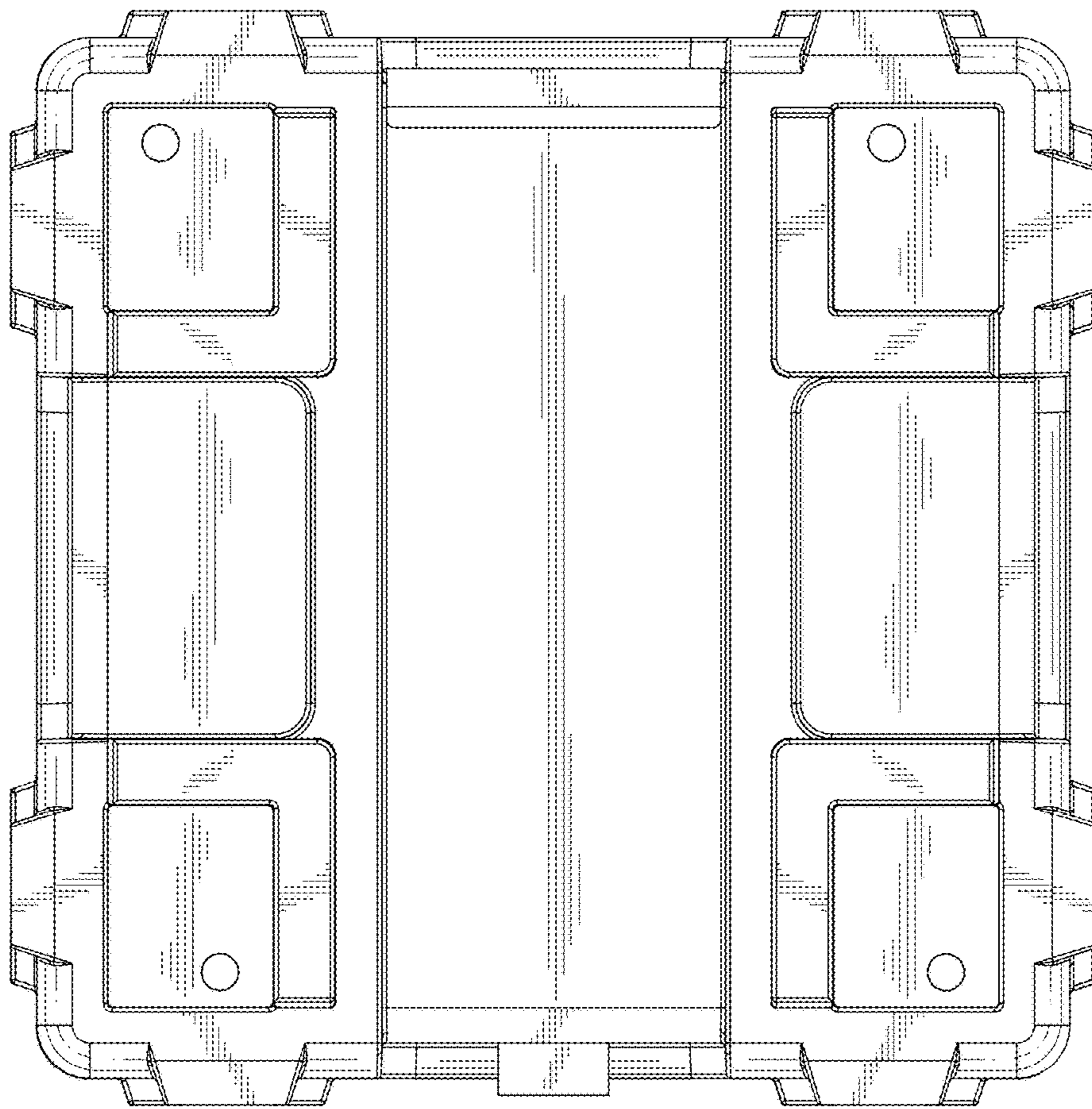


FIG. 8

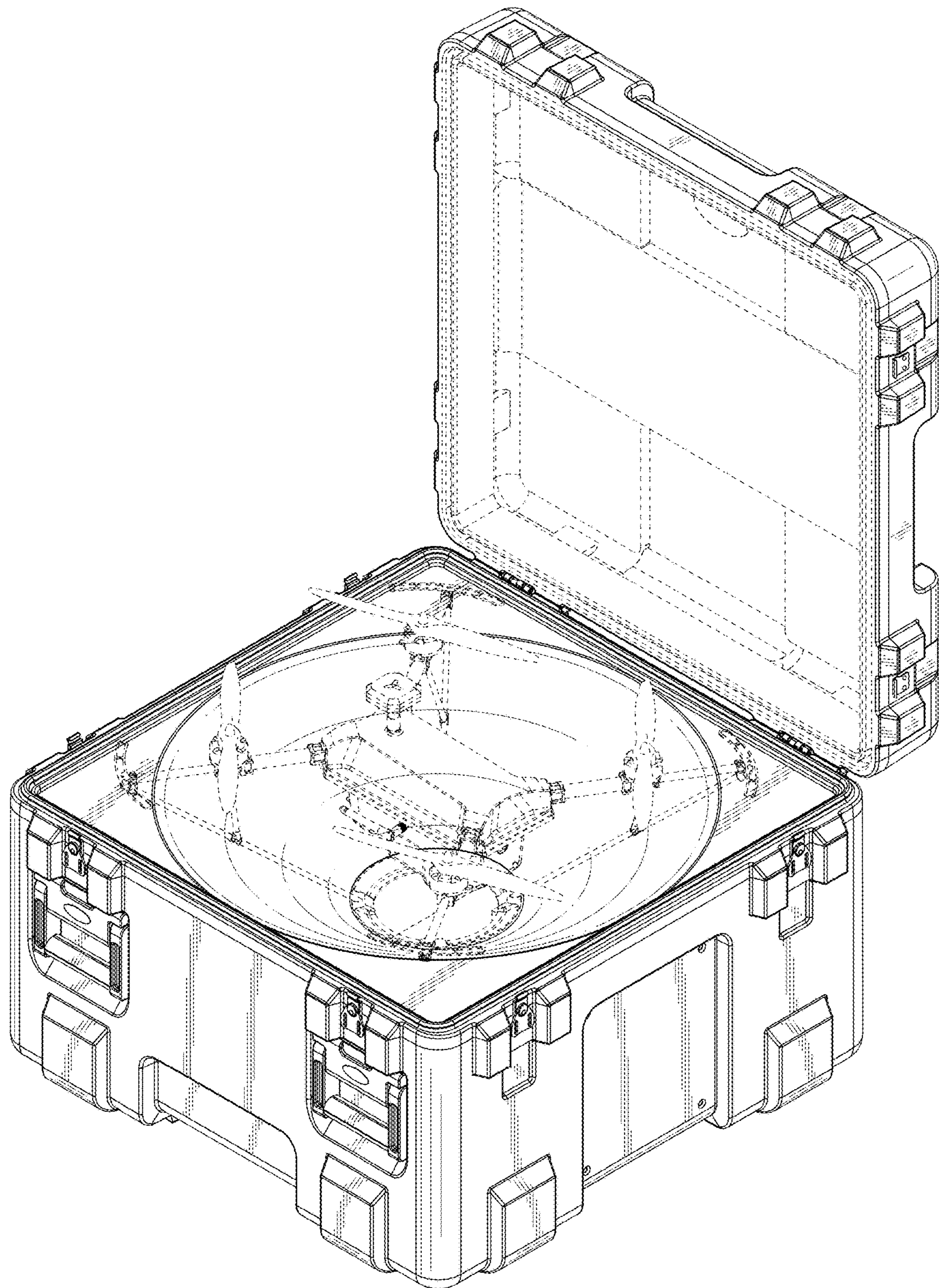


FIG. 9

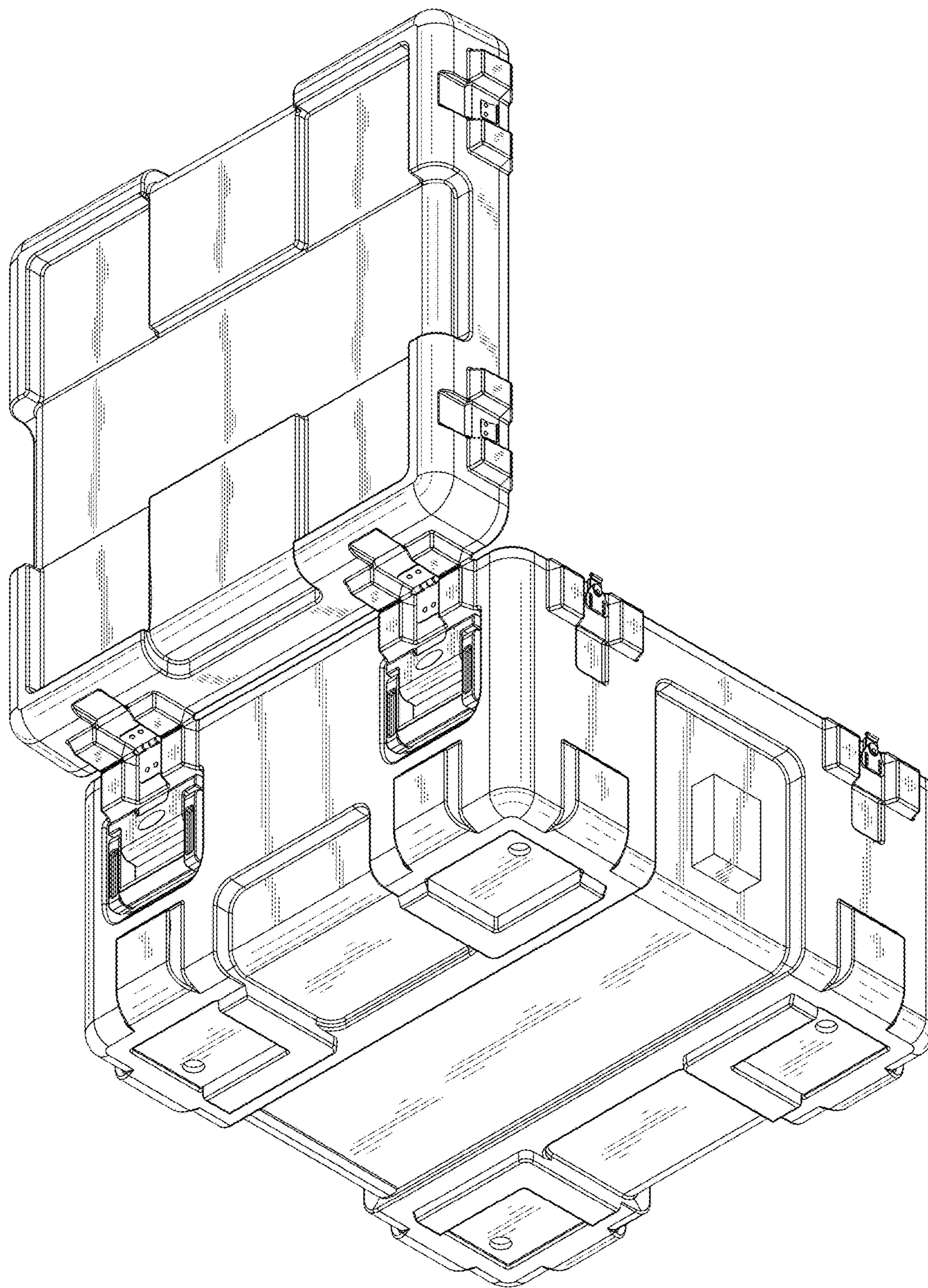


FIG. 10

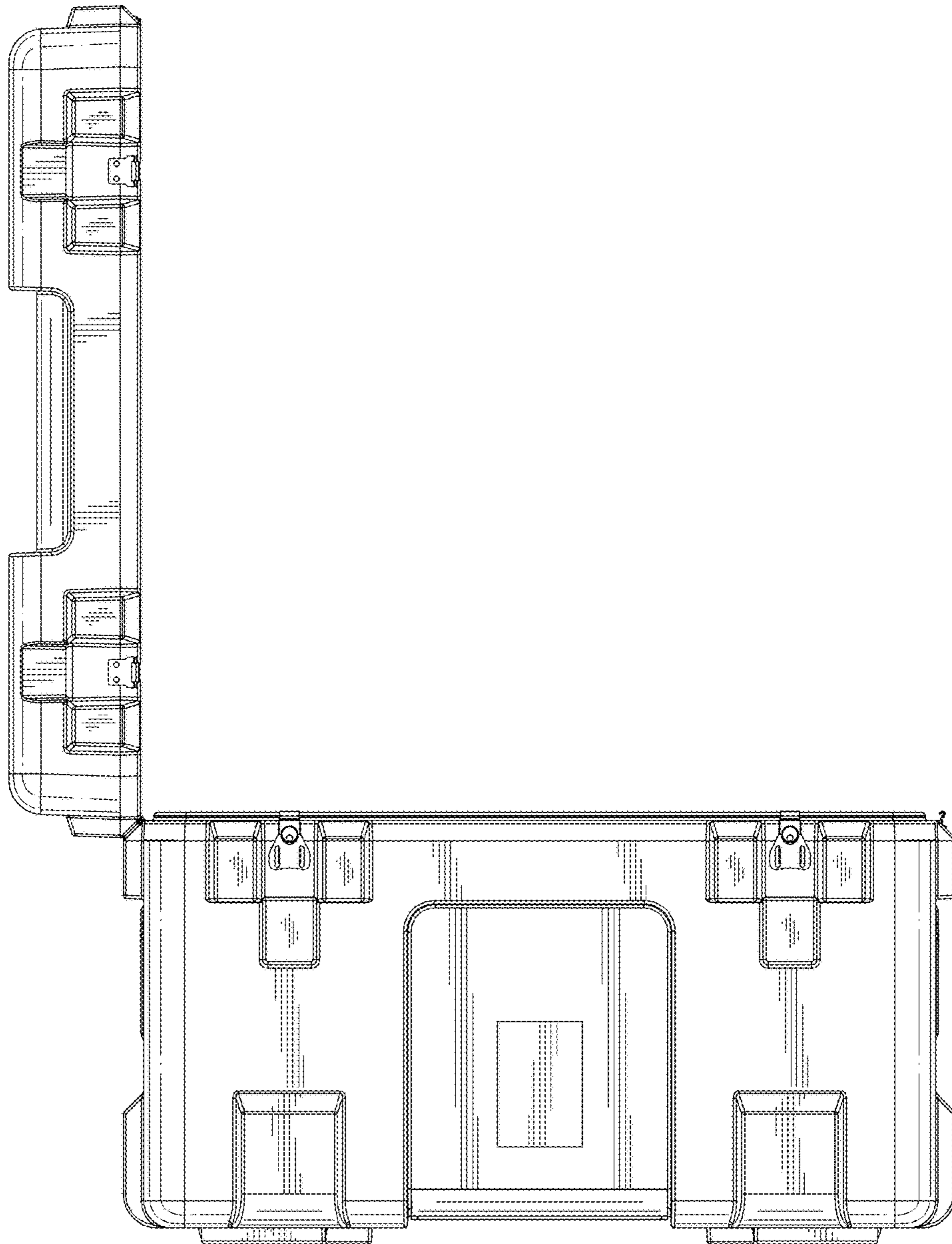


FIG. 11

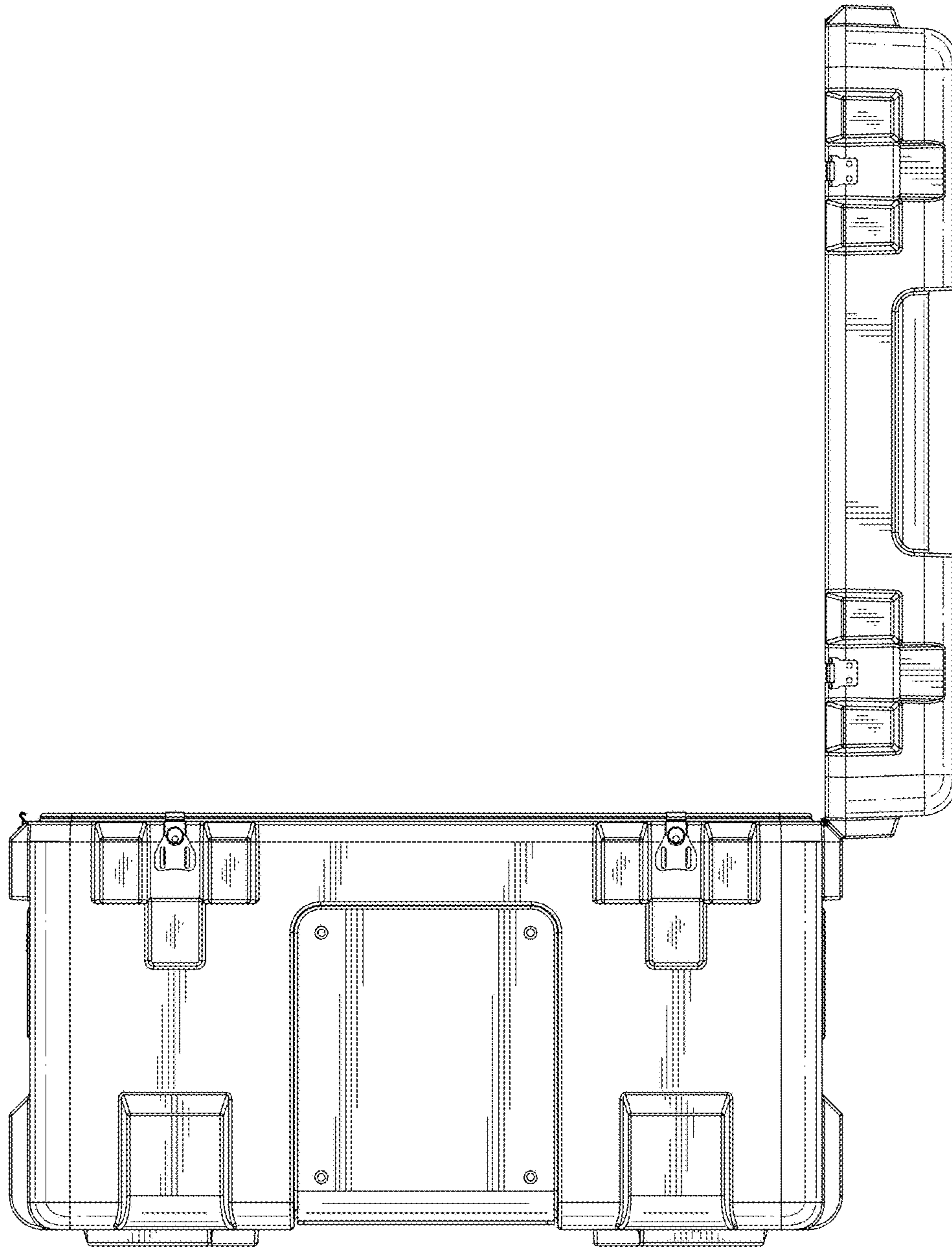


FIG. 12

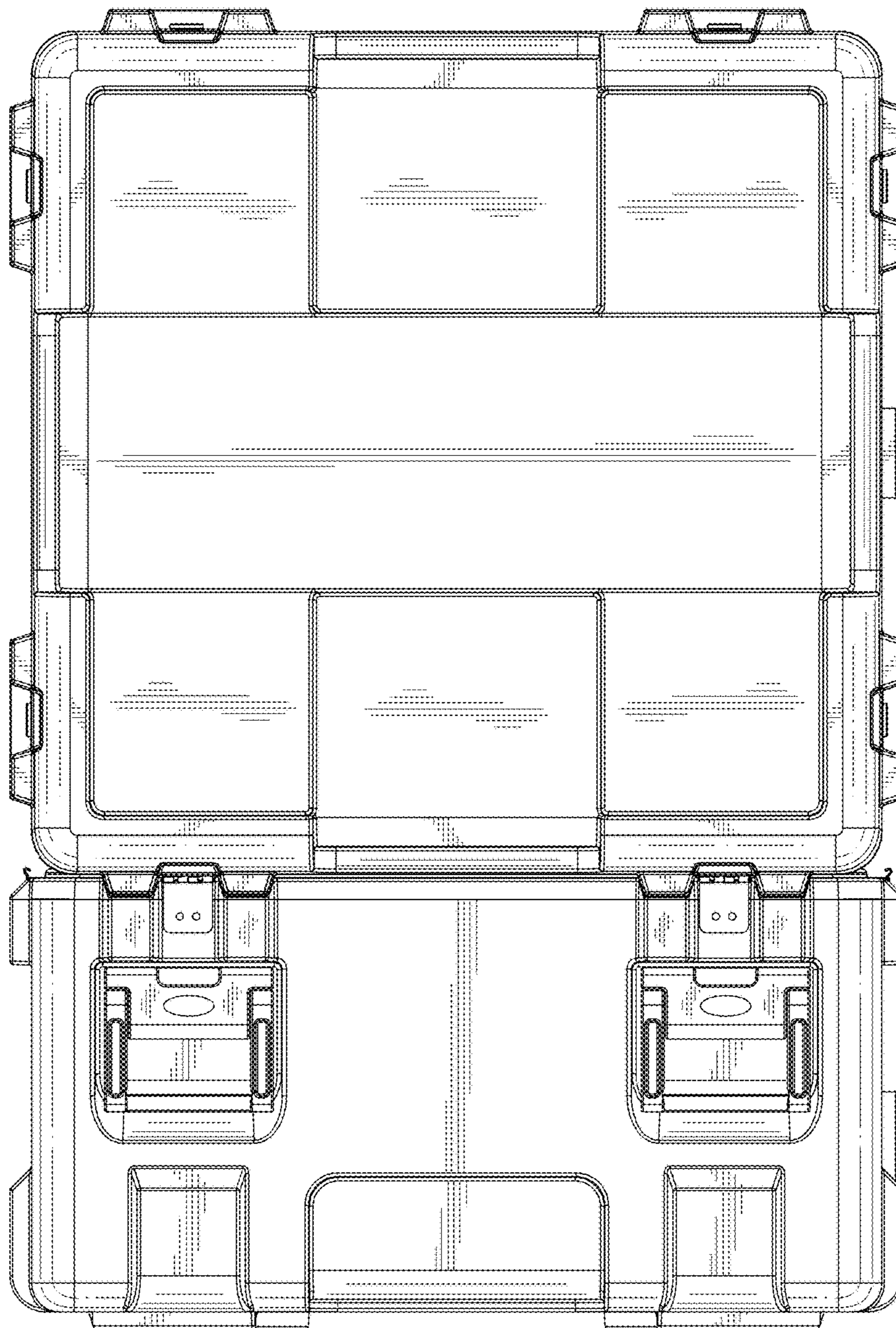


FIG. 13

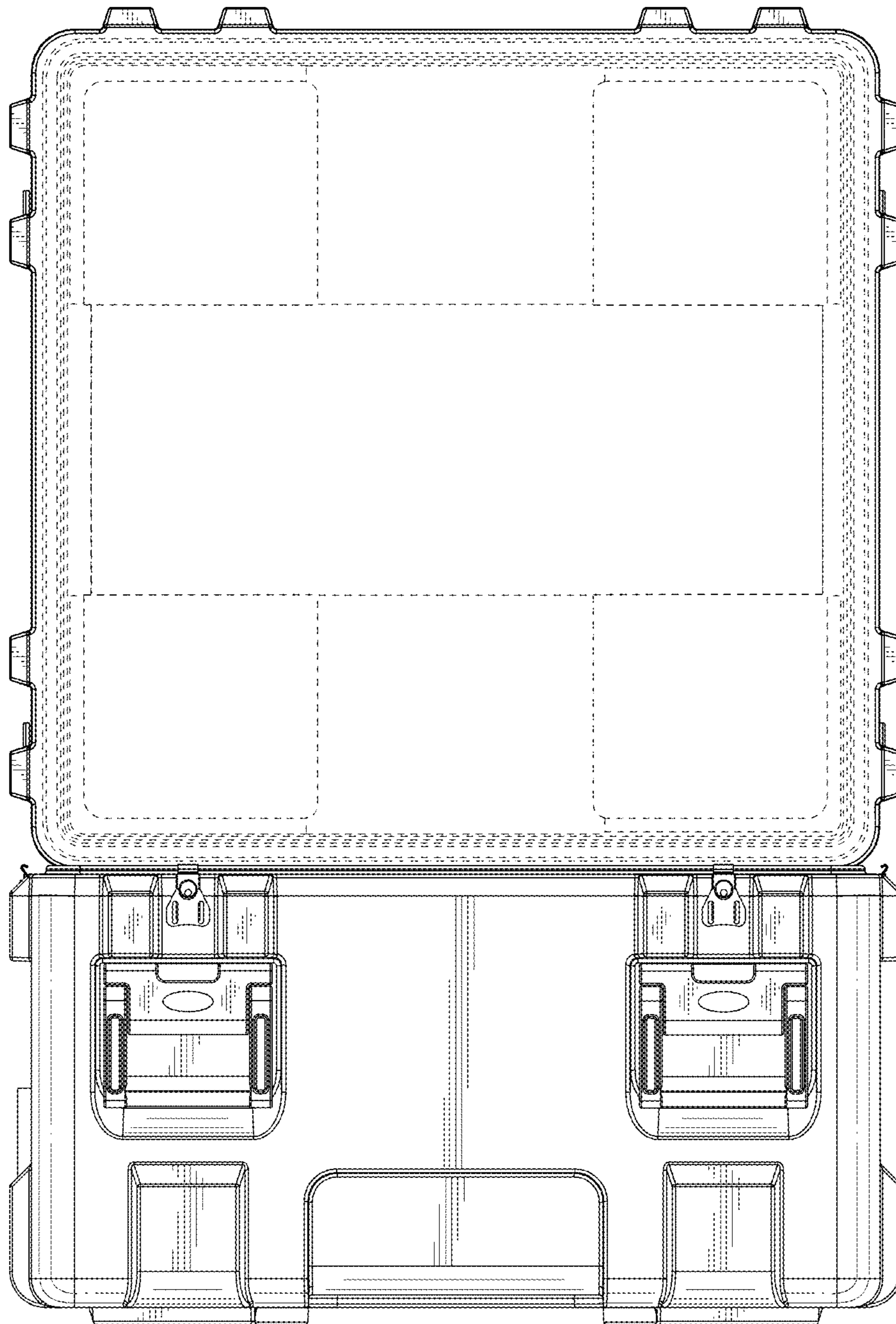


FIG. 14

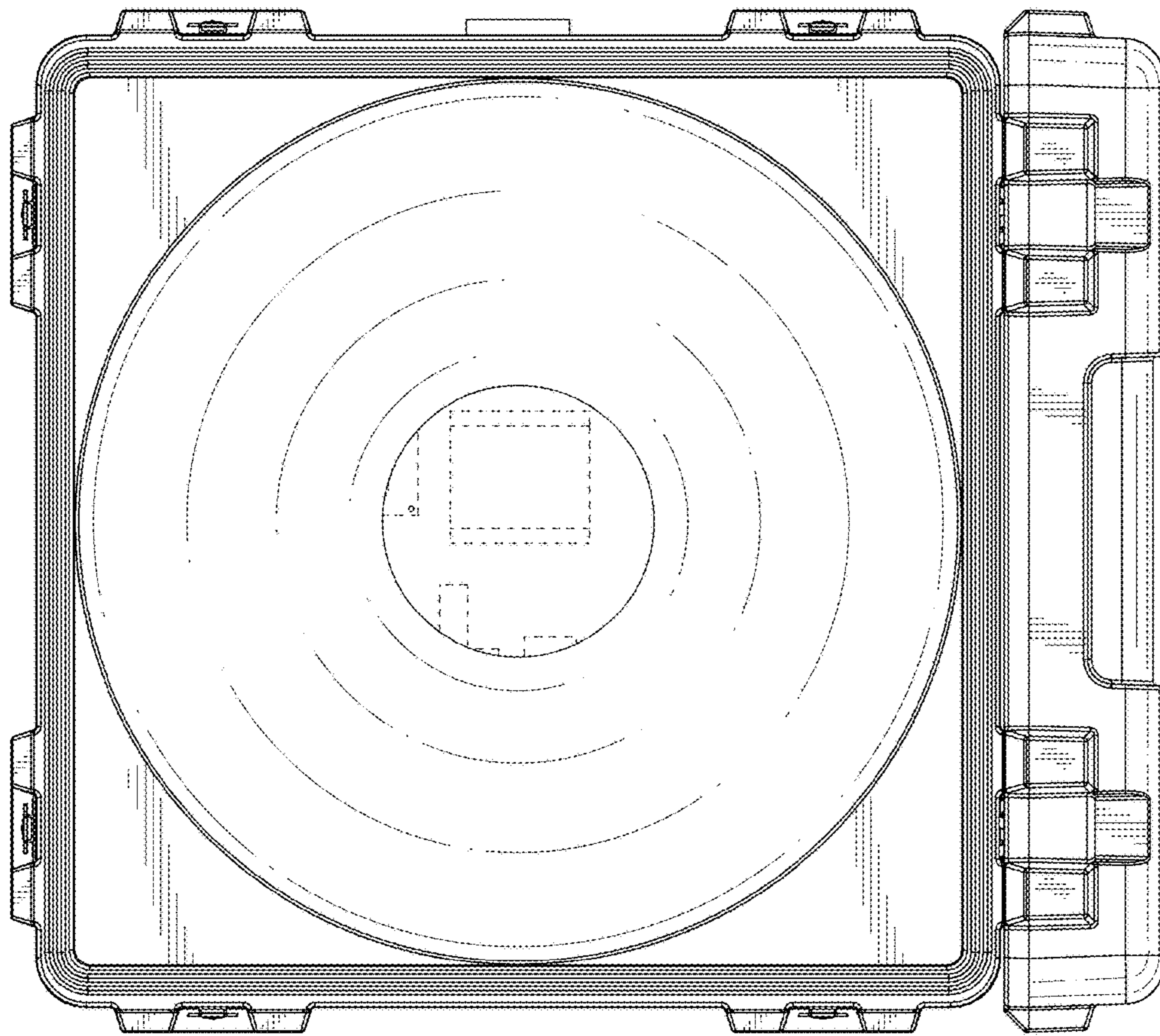


FIG. 15

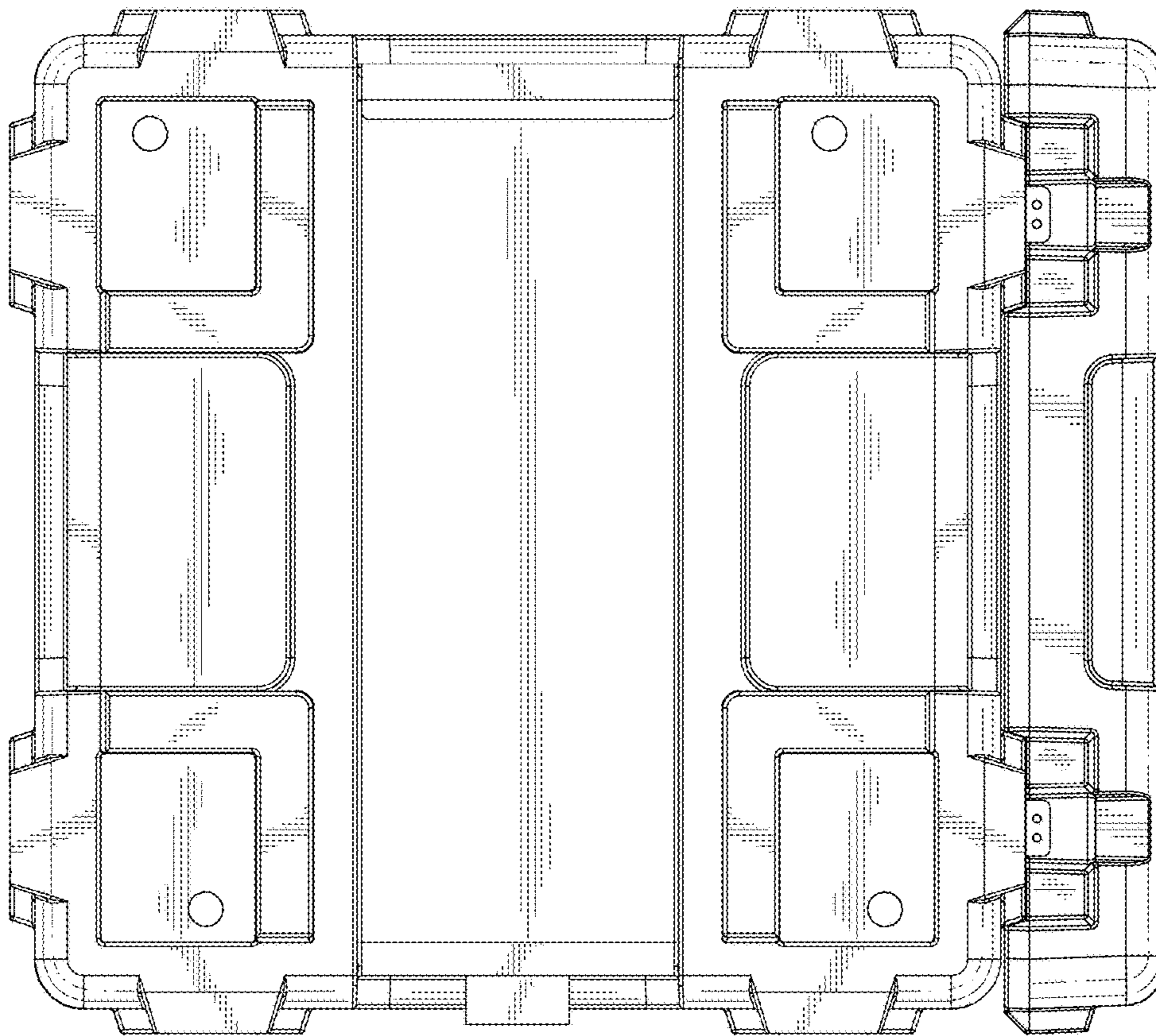


FIG. 16