



US00D781770S

(12) **United States Design Patent**
Koizumi et al.

(10) **Patent No.:** **US D781,770 S**
(45) **Date of Patent:** **** Mar. 21, 2017**

- (54) **WIPER ARM FOR VEHICLE**
- (71) Applicant: **Mitsuba Corporation**, Gunma (JP)
- (72) Inventors: **Hideyuki Koizumi**, Gunma (JP);
Tomoya Nishikawa, Gunma (JP);
Masayuki Shimoyama, Gunma (JP)
- (73) Assignee: **Mitsuba Corporation**, Kiryu-shi,
Gunma (JP)

D644,162 S *	8/2011	Garrastacho	D12/220
D644,163 S *	8/2011	Garrastacho	D12/220
D662,027 S *	6/2012	Chien	D12/219
D717,225 S *	11/2014	Kuo	D12/220
D725,021 S *	3/2015	Poton	D12/220
D725,024 S *	3/2015	Poton	D12/220
2014/0215747 A1 *	8/2014	Yang	B60S 1/4003 15/250.32
2014/0317875 A1 *	10/2014	Tolentino	B60S 1/387 15/250.32

- (**) Term: **15 Years**
- (21) Appl. No.: **29/560,916**
- (22) Filed: **Apr. 12, 2016**

* cited by examiner

Primary Examiner — Katrina A Betton

(74) *Attorney, Agent, or Firm* — McCormick, Paulding & Huber LLP

(30) **Foreign Application Priority Data**

Oct. 16, 2015 (JP) 2015-022916

(51) **LOC (10) Cl.** **12-06**

(52) **U.S. Cl.**
USPC **D12/220**

(58) **Field of Classification Search**
USPC D12/219, 220
CPC B60S 2001/3815; B60S 1/4003; B60S
1/3801
See application file for complete search history.

(57) **CLAIM**

The ornamental design for a wiper arm for vehicle, as shown.

DESCRIPTION

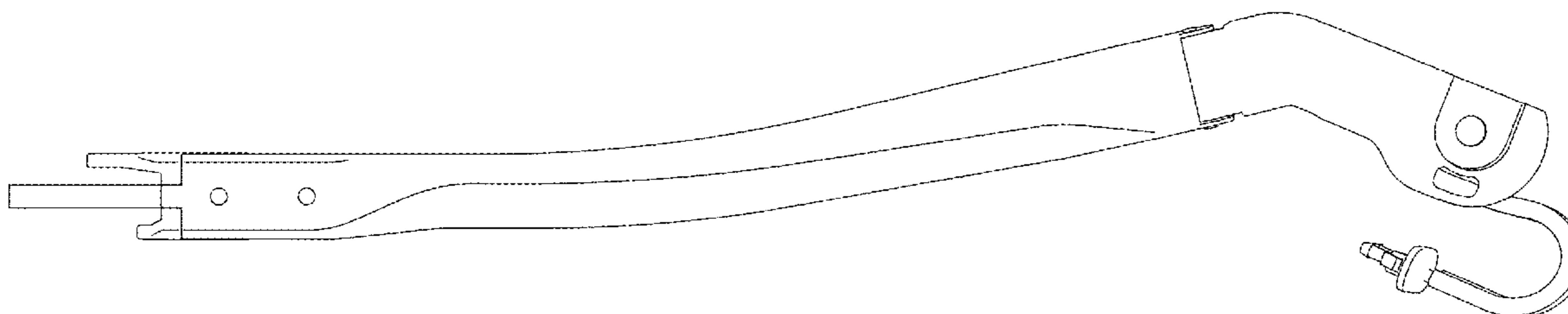
FIG. 1 is a front, left-side and top perspective view of a wiper arm for vehicle comprising a new, original and ornamental design;
 FIG. 2 is a bottom, left-side and rear perspective view thereof;
 FIG. 3 is a front view thereof;
 FIG. 4 is a rear view thereof;
 FIG. 5 is a top view thereof;
 FIG. 6 is a bottom view thereof;
 FIG. 7 is a right-side view thereof; and,
 FIG. 8 is a left-side view thereof.

(56) **References Cited**

U.S. PATENT DOCUMENTS

D524,223 S *	7/2006	Nakano	D12/219
D610,518 S *	2/2010	Aglassinger	D12/220

1 Claim, 8 Drawing Sheets



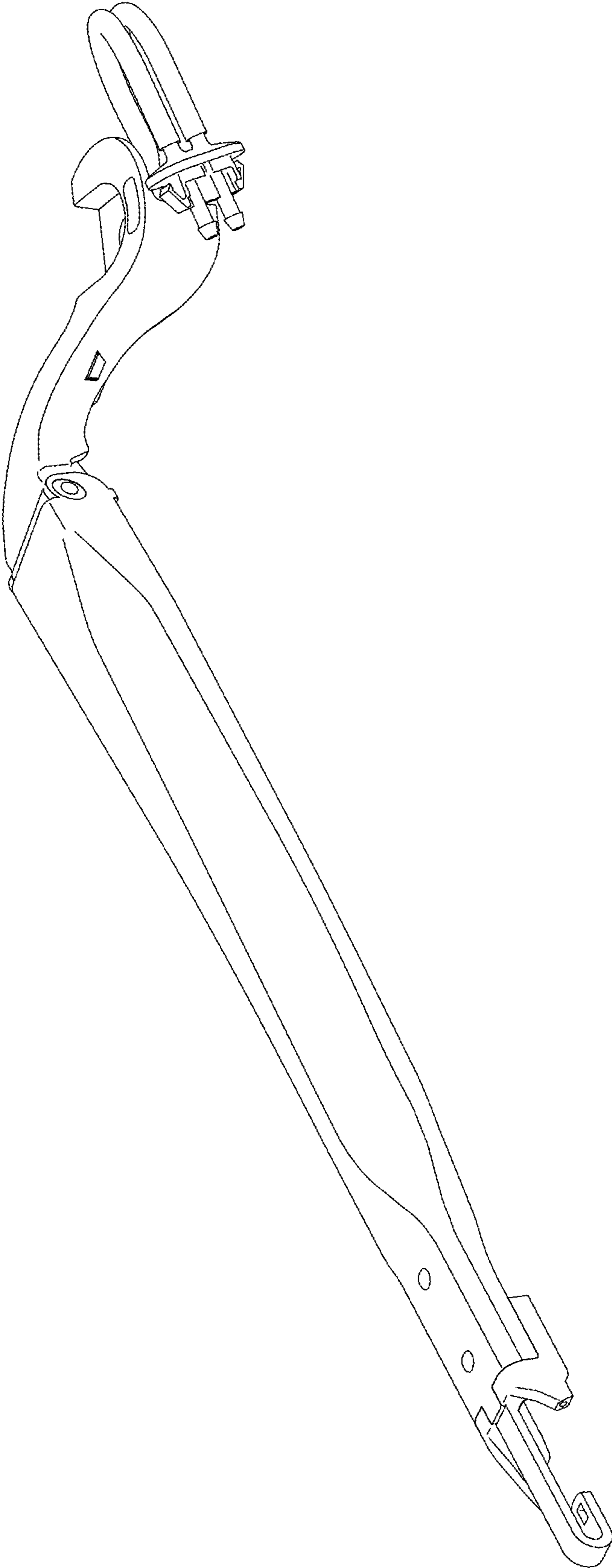


FIG. 1

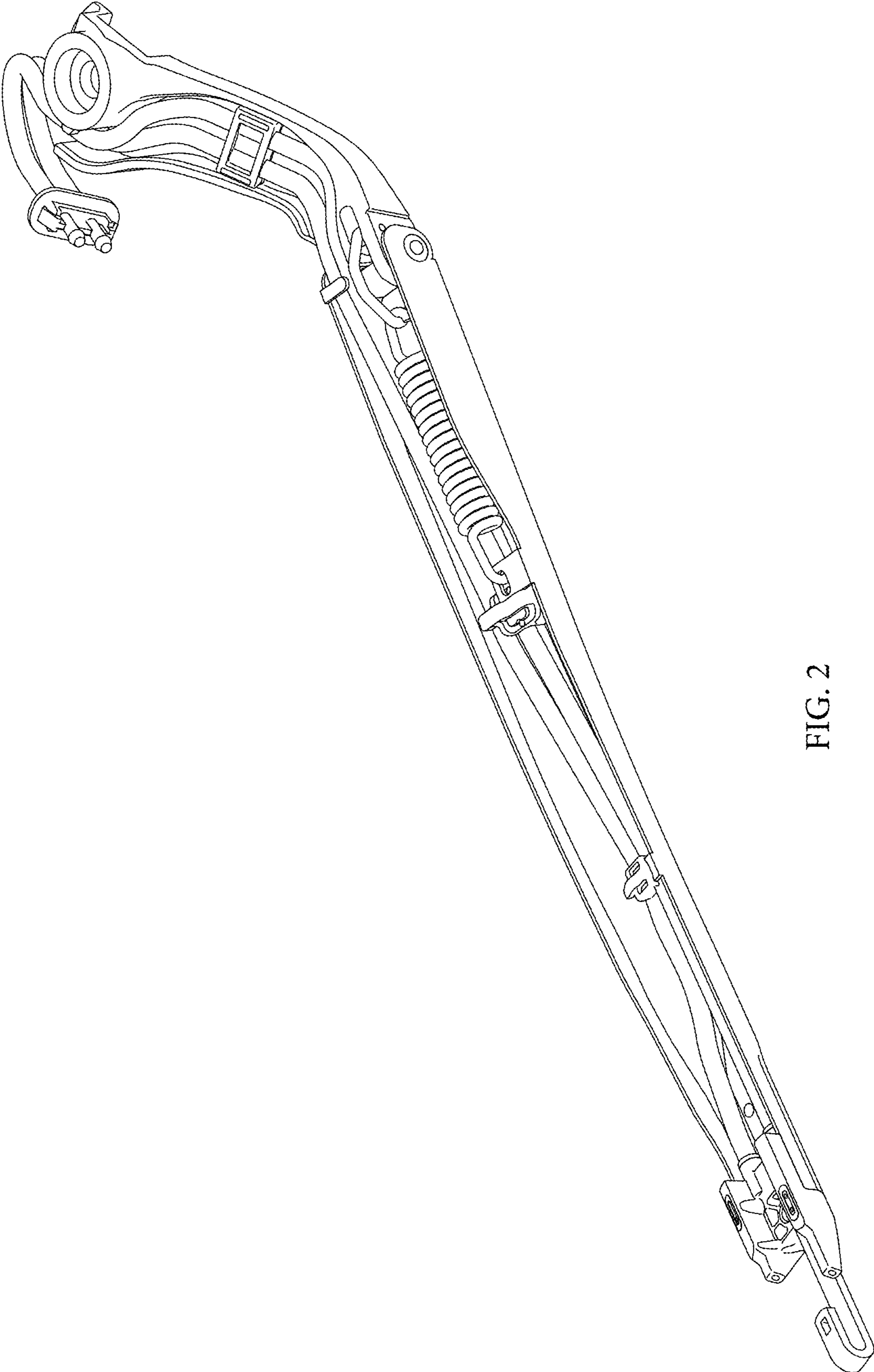


FIG. 2

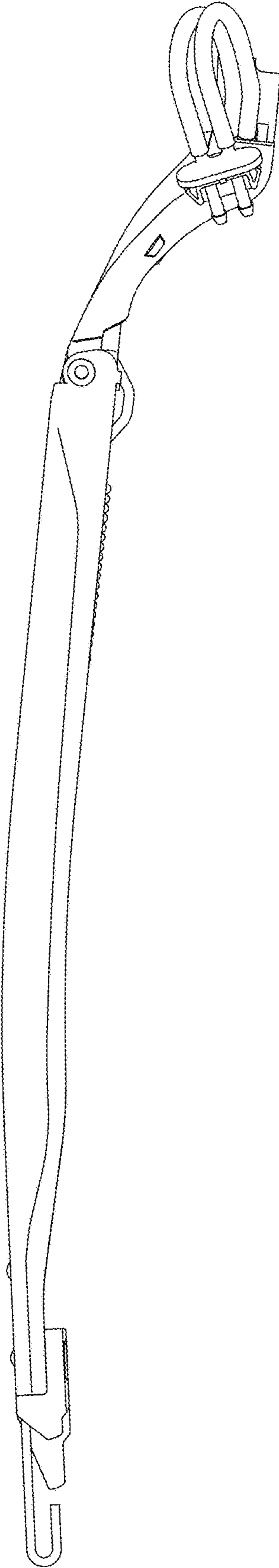


FIG. 3

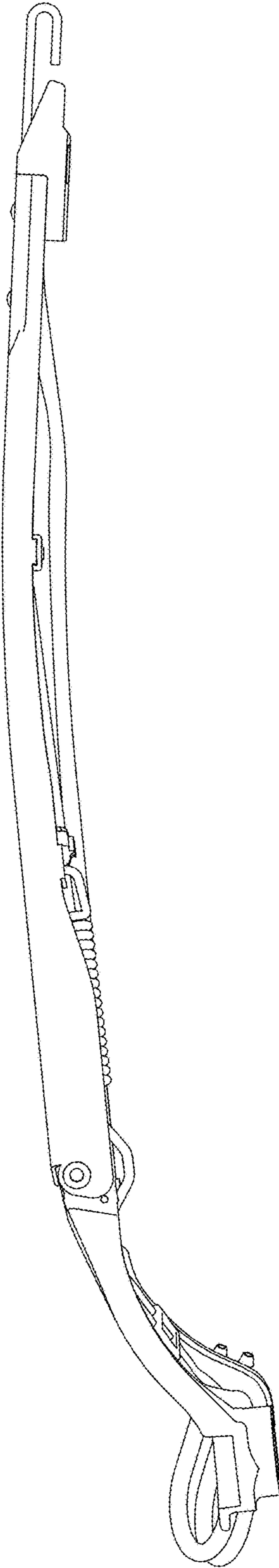


FIG. 4

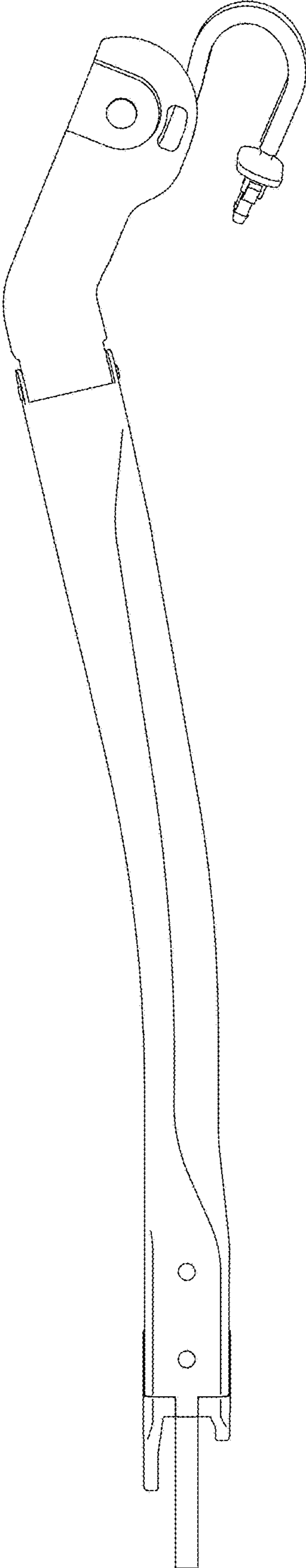


FIG. 5

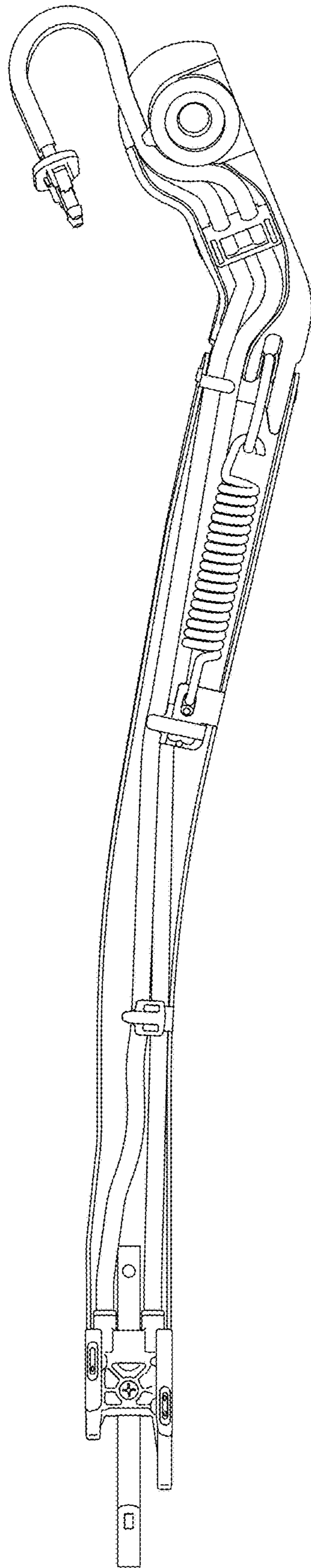


FIG. 6

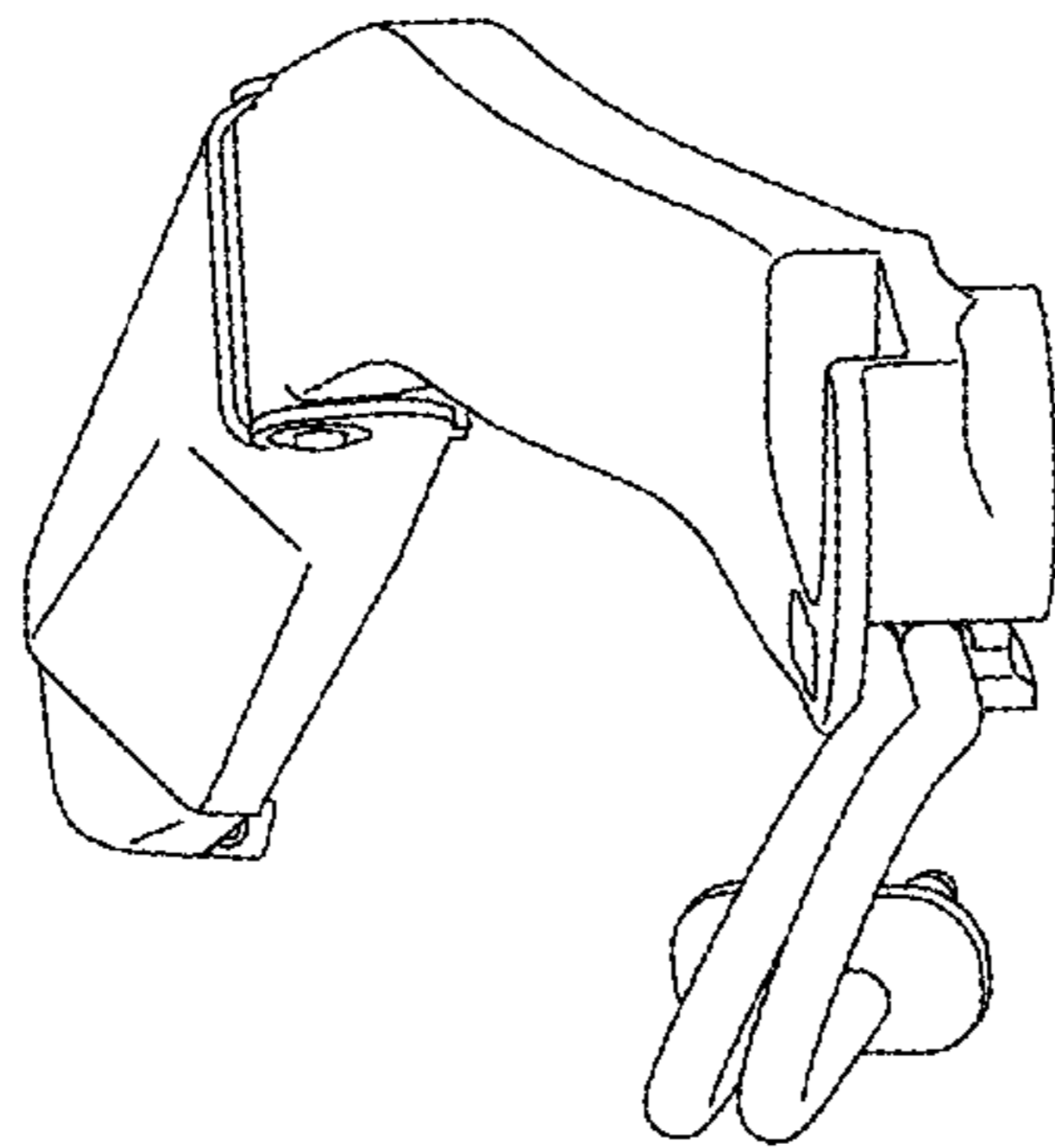


FIG. 7

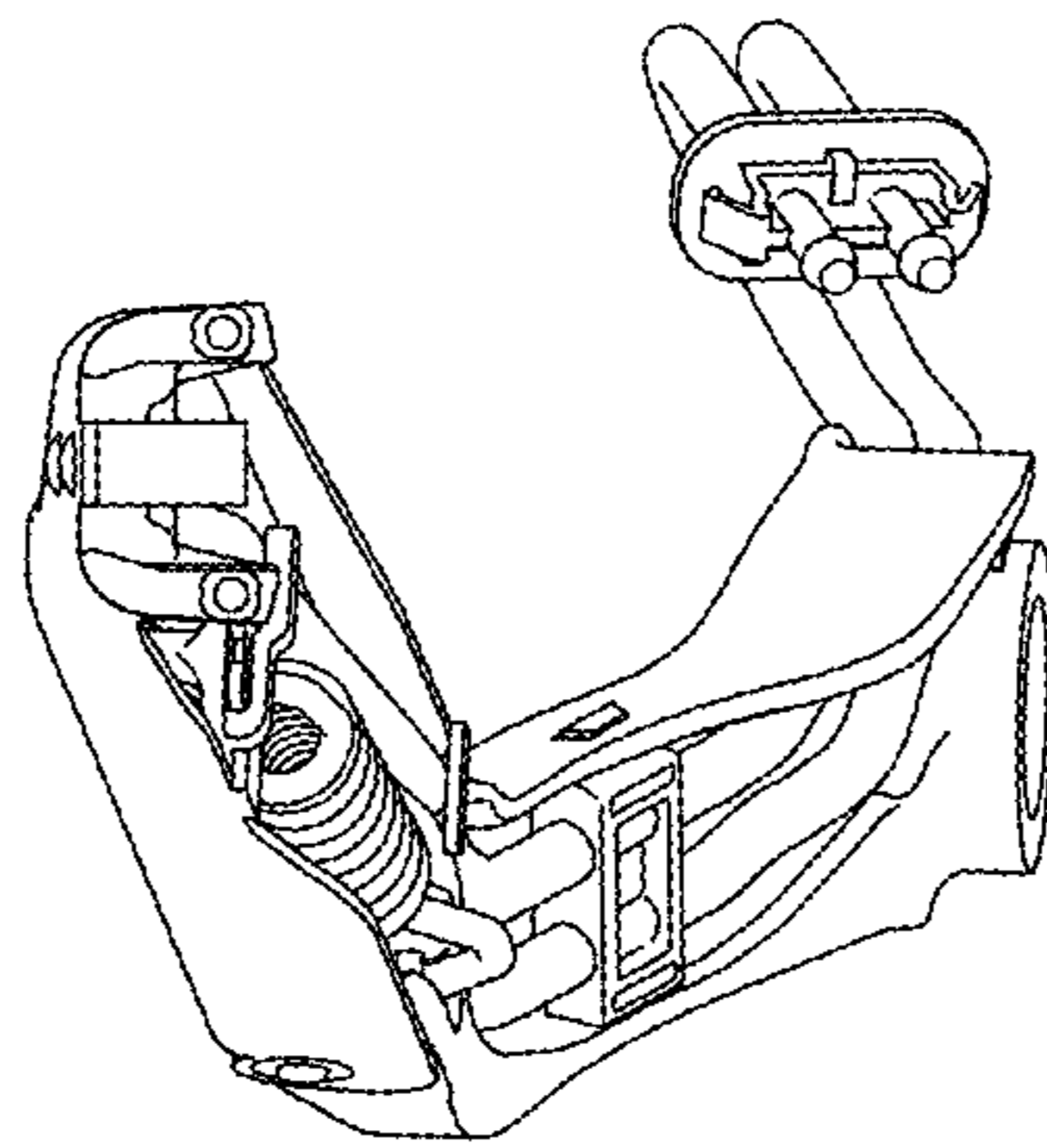


FIG. 8