



US00D781768S

(12) **United States Design Patent**
Buck

(10) **Patent No.:** **US D781,768 S**

(45) **Date of Patent:** **** Mar. 21, 2017**

(54) **WHEEL**

(71) Applicant: **Jaguar Land Rover Limited**, Whitley,
Coventry (GB)

(72) Inventor: **Joe Buck**, Coventry (GB)

(73) Assignee: **Jaguar Land Rover Limited**, Whitley,
Coventry (GB)

(**) Term: **15 Years**

(21) Appl. No.: **29/539,036**

(22) Filed: **Sep. 10, 2015**

(30) **Foreign Application Priority Data**

Mar. 16, 2015 (EM) 002656413

(51) **LOC (10) Cl.** **12-16**

(52) **U.S. Cl.**
USPC **D12/211**

(58) **Field of Classification Search**

USPC D12/204–213

CPC B60B 7/00; B60B 7/02; B60B 7/04; B60B

7/01; B60B 7/06; B60B 3/02; B60B 3/04;

B60B 3/06; B60B 3/10; B60B 1/00;

B60B 1/08; B60B 1/10; B60B 1/12

See application file for complete search history.

(56) **References Cited**

U.S. PATENT DOCUMENTS

D474,440 S * 5/2003 Oh D12/211

D506,172 S * 6/2005 Pfeiffer D12/211

D546,263 S * 7/2007 Hernandez D12/211

D580,336 S * 11/2008 Chung D12/211

D597,014 S * 7/2009 Nissl D12/211

D604,685 S * 11/2009 Zhou D12/211

D610,064 S * 2/2010 Dilber D12/211

D625,245 S * 10/2010 Hans D12/211

D630,992 S * 1/2011 Cortes D12/211

D681,535 S * 5/2013 Zhao D12/211

D695,193 S * 12/2013 Kong D12/211

D698,720 S * 2/2014 Farh-Becker D12/211

D709,019 S * 7/2014 Hale, Jr. D12/211

D713,316 S * 9/2014 Song D12/211

D714,208 S * 9/2014 Chung D12/211

D717,224 S * 11/2014 Kim D12/211

D722,938 S * 2/2015 Chung D12/211

D753,042 S * 4/2016 Wheel D12/209

D756,285 S * 5/2016 Zhao D12/211

D758,277 S * 6/2016 Alfonso D12/211

* cited by examiner

Primary Examiner — Stacia Cadmus

(74) *Attorney, Agent, or Firm* — Wood Herron & Evans
LLP

(57) **CLAIM**

The ornamental design for a wheel, as shown and described.

DESCRIPTION

FIG. 1 is a front left perspective view of a wheel for a vehicle according to the present invention.

FIG. 2 is a front view thereof.

FIG. 3 is a left side view thereof.

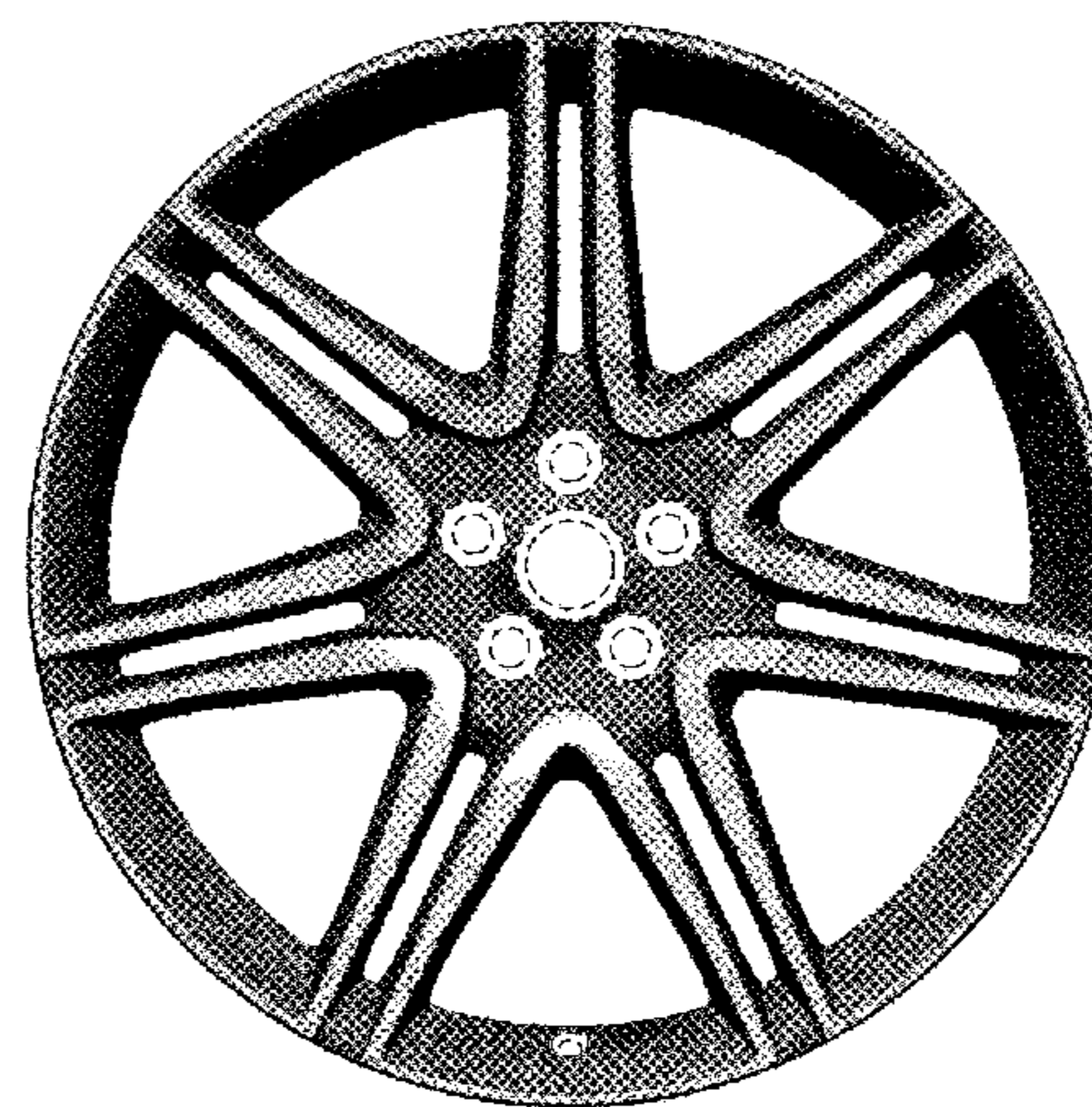
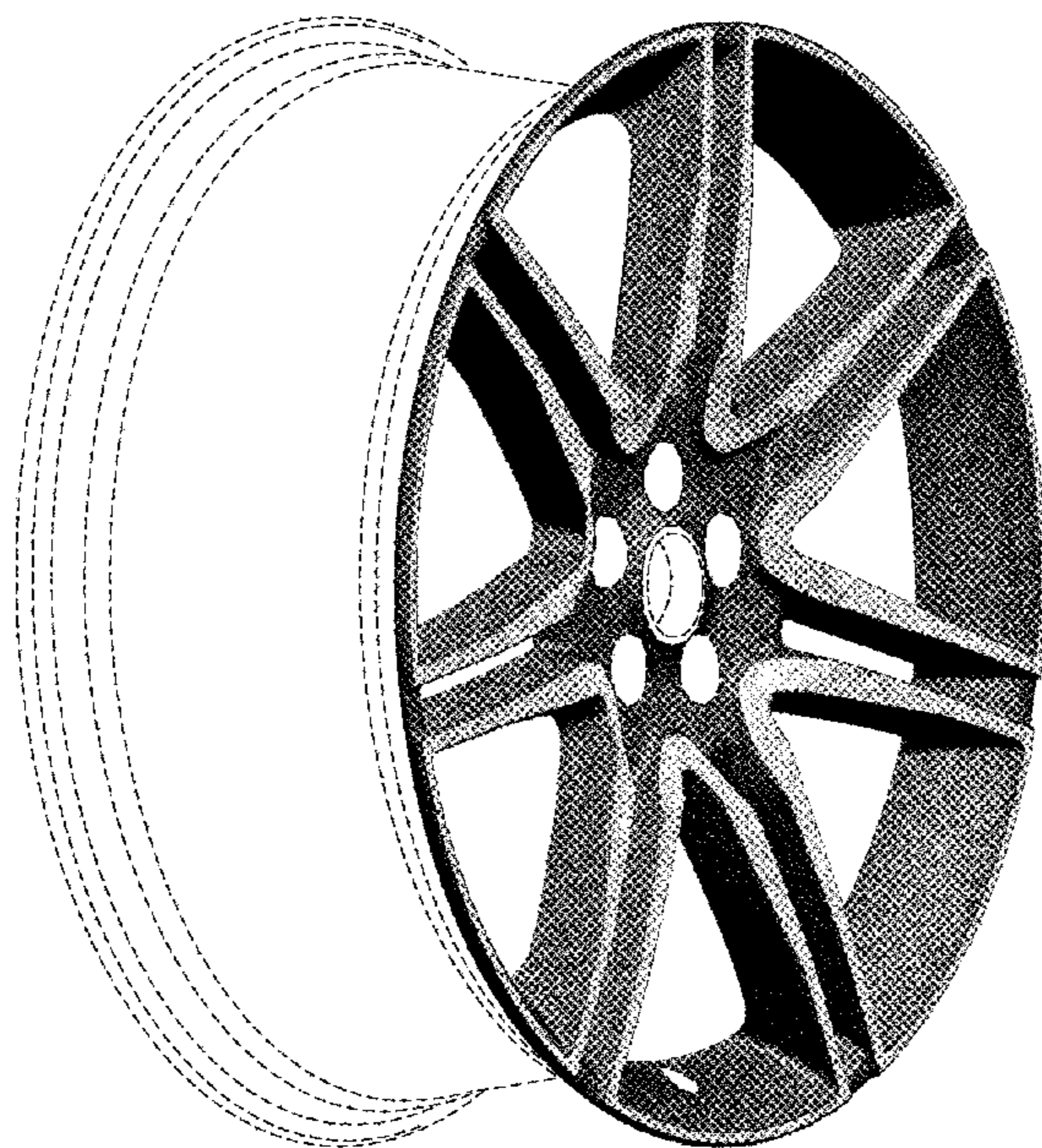
FIG. 4 is a front left perspective view of a wheel for a vehicle according to a second embodiment of the present invention.

FIG. 5 is a front view of the wheel shown in FIG. 4; and,

FIG. 6 is a left side view thereof.

The broken line showing of the rear of the rim, the valve stem hole, the bolt holes and the center hole in the central hub area is included for the purpose of illustrating environment and forms no part of the claimed design.

1 Claim, 4 Drawing Sheets



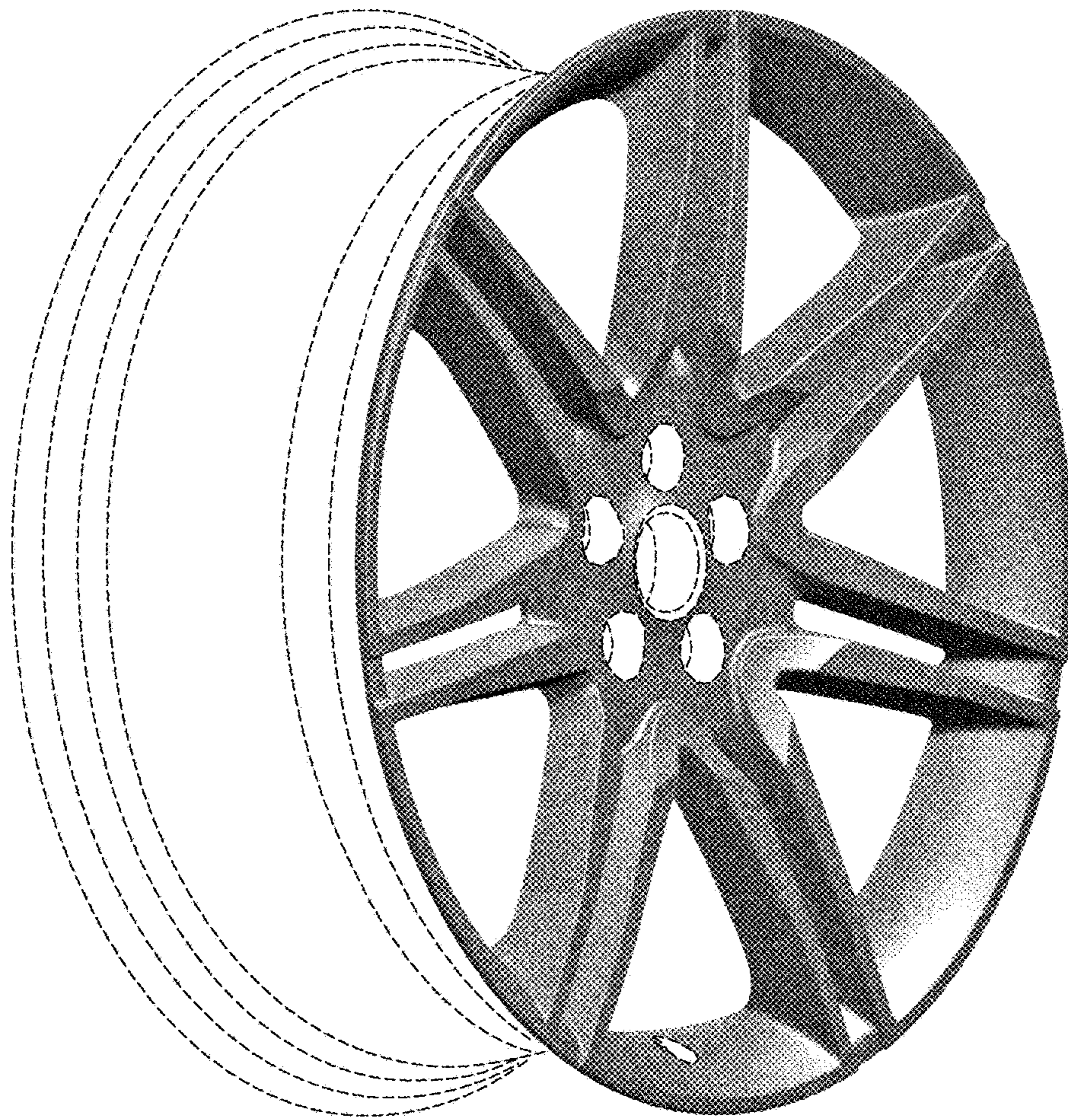


FIG. 1

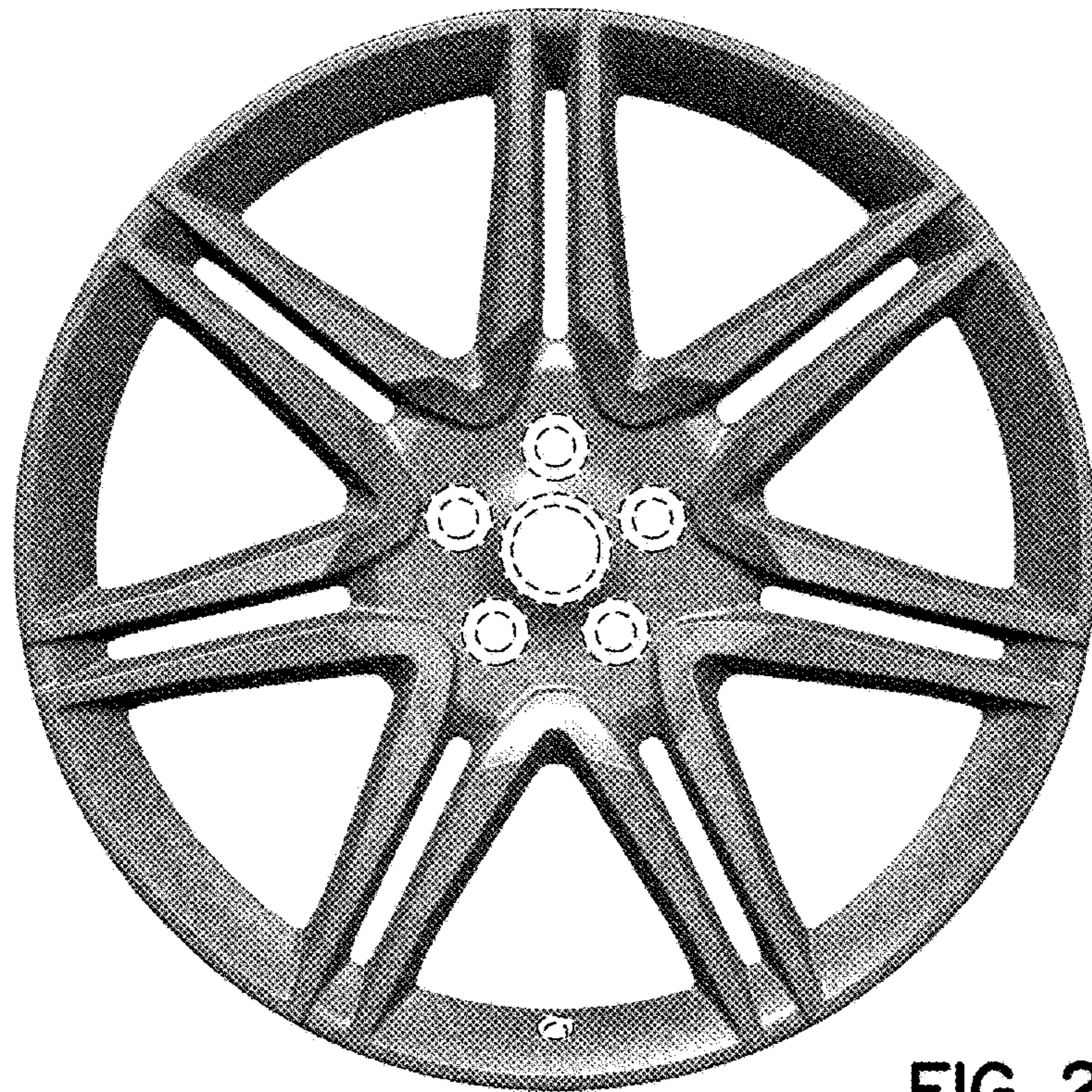


FIG. 2

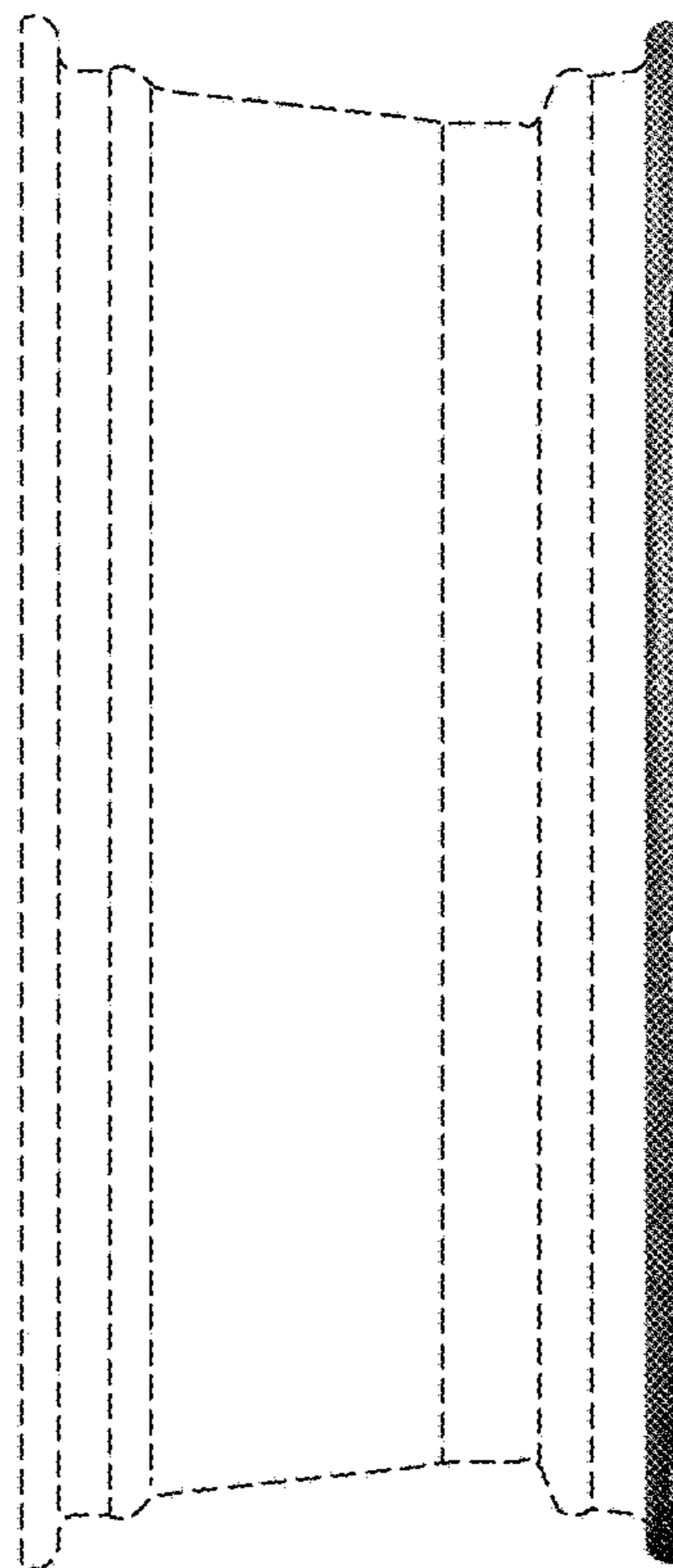


FIG. 3

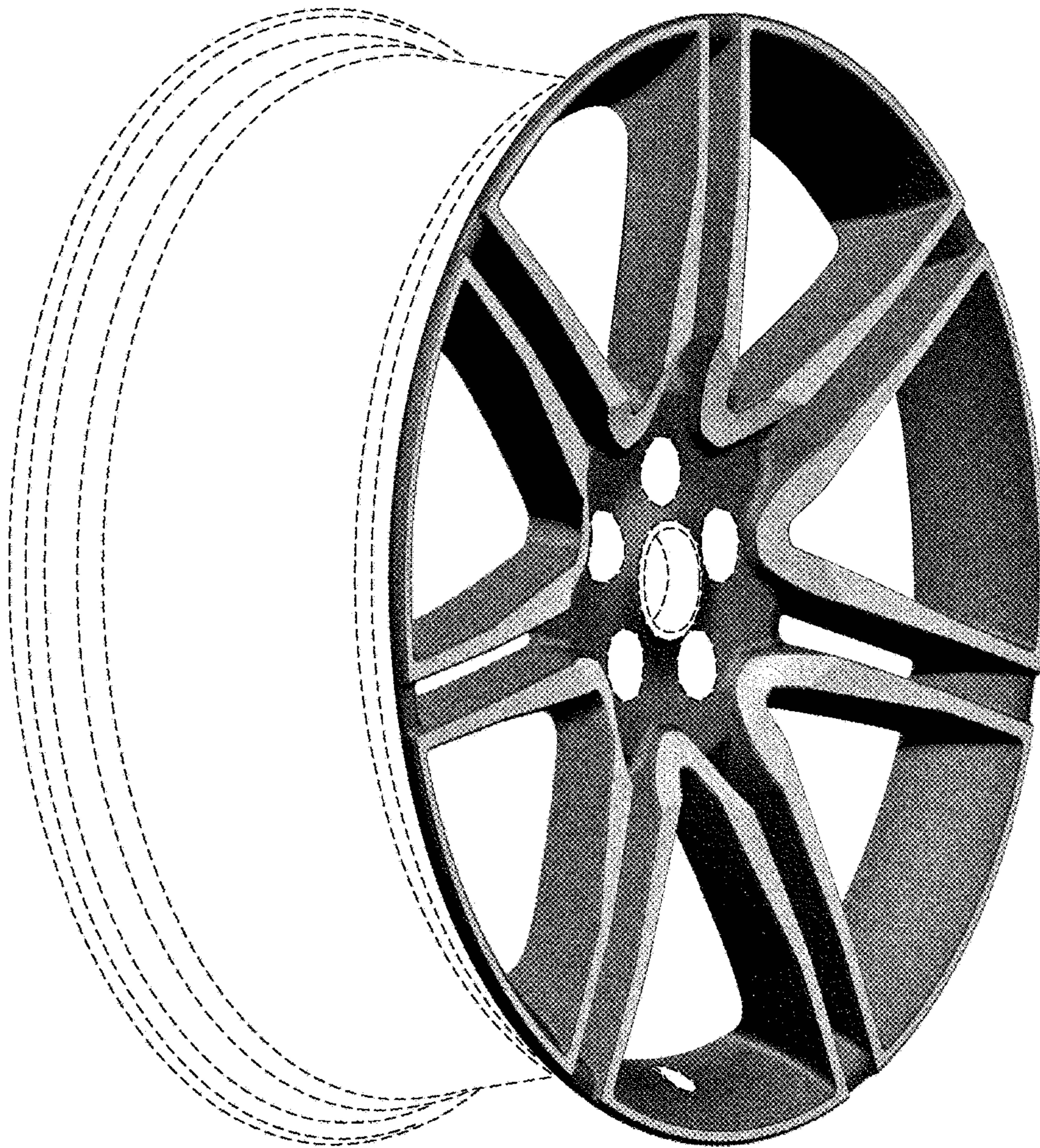


FIG. 4



FIG. 5

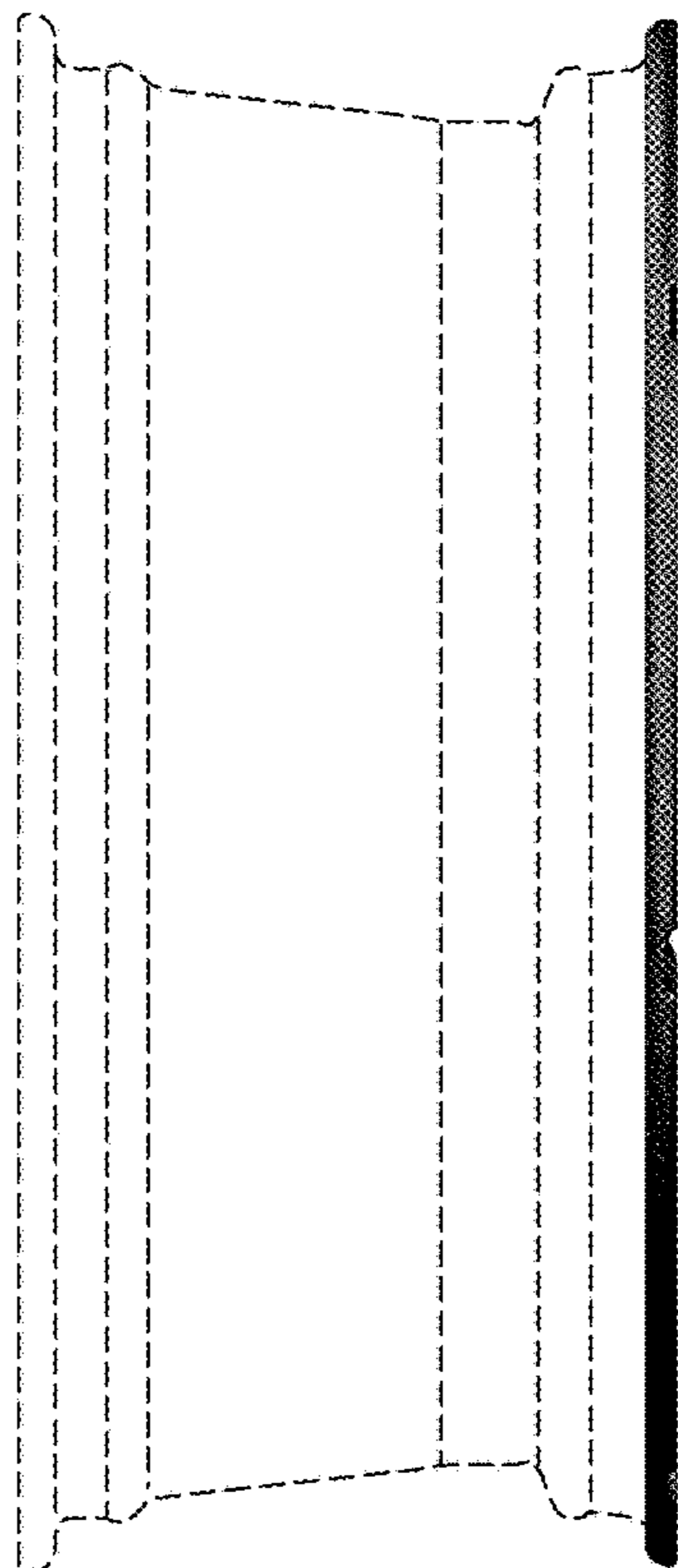


FIG. 6