



US00D781767S

(12) **United States Design Patent**  
**Peat**

(10) **Patent No.:** **US D781,767 S**

(45) **Date of Patent:** **\*\* Mar. 21, 2017**

(54) **WHEEL**

(71) Applicant: **Jaguar Land Rover Limited**, Whitley,  
Coventry (GB)

(72) Inventor: **Anthony Peat**, Coventry (GB)

(73) Assignee: **Jaguar Land Rover Limited**, Whitley,  
Coventry (GB)

(\*\*) Term: **15 Years**

(21) Appl. No.: **29/538,445**

(22) Filed: **Sep. 3, 2015**

(30) **Foreign Application Priority Data**

Mar. 16, 2015 (EM) ..... 002656371

(51) **LOC (10) Cl.** ..... **12-16**

(52) **U.S. Cl.**  
USPC ..... **D12/211**

(58) **Field of Classification Search**

USPC ..... D12/204–213  
CPC .... B60B 7/00; B60B 7/02; B60B 7/04; B60B  
7/01; B60B 7/06; B60B 3/02; B60B 3/04;  
B60B 3/06; B60B 3/10; B60B 1/00;  
B60B 1/08; B60B 1/10; B60B 1/12  
See application file for complete search history.

(56) **References Cited**

**U.S. PATENT DOCUMENTS**

D460,942 S \* 7/2002 Lee ..... D12/211  
D483,714 S \* 12/2003 Warming ..... D12/211  
D528,495 S \* 9/2006 Truebsbach ..... D12/211  
D567,165 S \* 4/2008 Truebsbach ..... D12/209

D597,014 S \* 7/2009 Nissl ..... D12/211  
D603,318 S \* 11/2009 Luciani ..... D12/209  
D621,771 S \* 8/2010 Truebsbach ..... D12/211  
D635,907 S \* 4/2011 Futschik ..... D12/211  
D641,680 S \* 7/2011 Laengerer ..... D12/211  
D644,976 S \* 9/2011 Nissl ..... D12/209  
D654,007 S \* 2/2012 Nissl ..... D12/211  
D660,771 S \* 5/2012 Mueller-Stolz ..... D12/211  
D667,768 S \* 9/2012 Elmitt ..... D12/209  
D669,410 S \* 10/2012 Fetherston ..... D12/211  
D671,482 S \* 11/2012 Nakamura ..... D12/211  
D684,914 S \* 6/2013 Gotschke ..... D12/209  
D698,720 S \* 2/2014 Farh-Becker ..... D12/211  
D706,197 S \* 6/2014 Chung ..... D12/211  
D717,709 S \* 11/2014 Valencia Pollex ..... D12/209  
D724,516 S \* 3/2015 Di Buduo ..... D12/211  
D761,711 S \* 7/2016 Wolff ..... D12/209  
D765,004 S \* 8/2016 Holstein ..... D12/211  
D765,005 S \* 8/2016 Garbas ..... D12/211

\* cited by examiner

*Primary Examiner* — Stacia Cadmus

(74) *Attorney, Agent, or Firm* — Wood Herron & Evans  
LLP

(57) **CLAIM**

The ornamental design for a wheel, as shown and described.

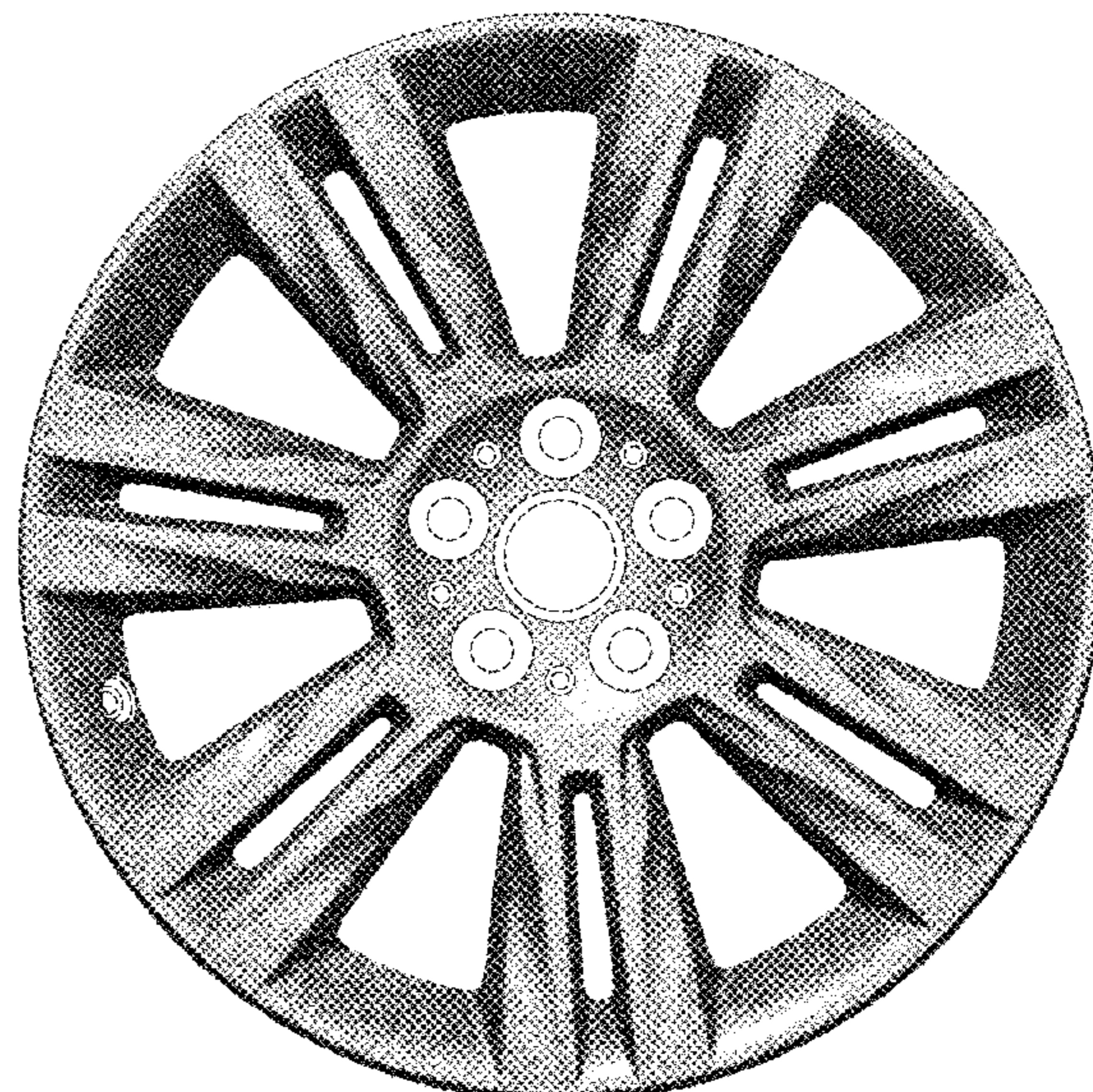
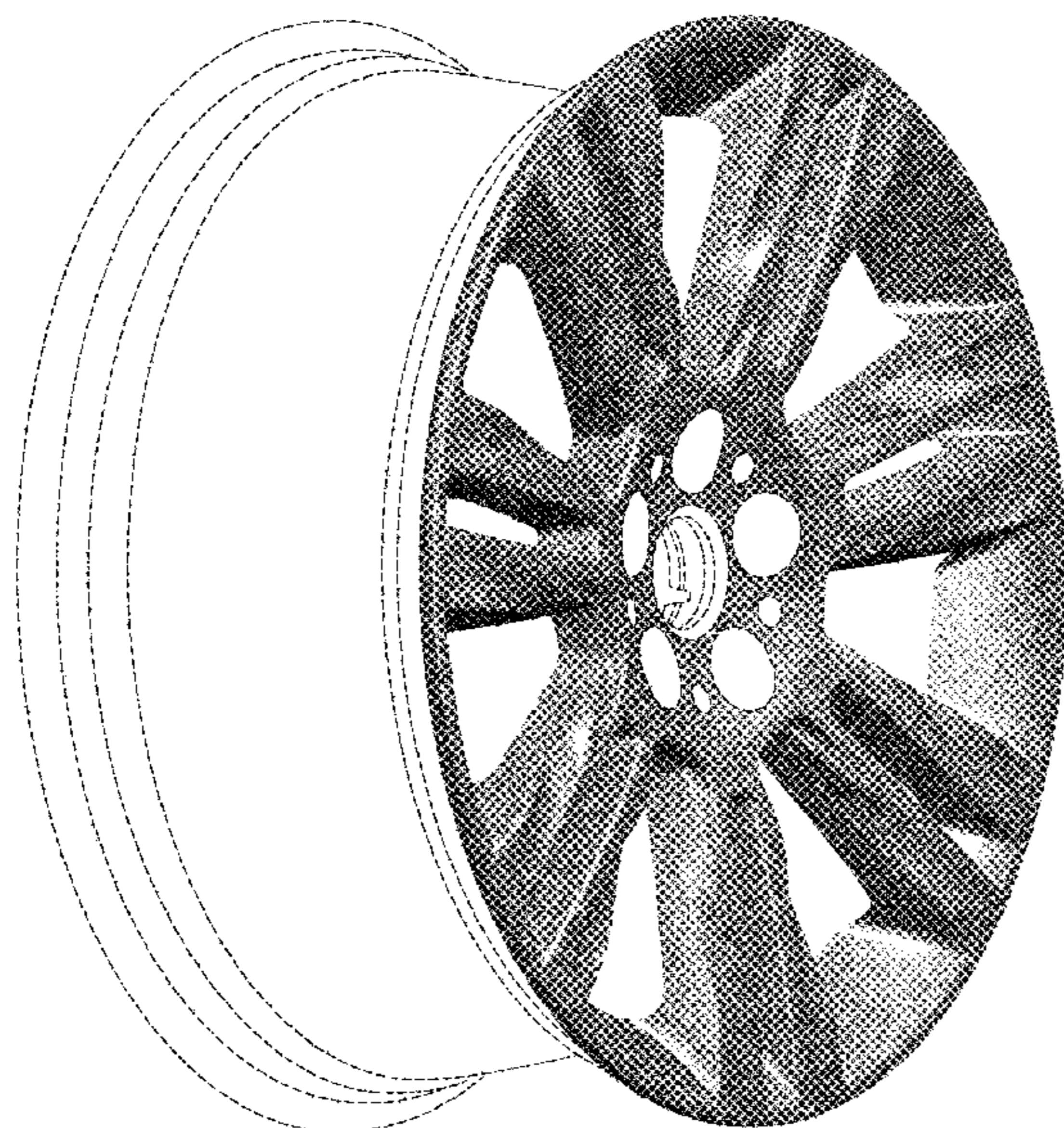
**DESCRIPTION**

FIG. 1 is a front left perspective view of a wheel for a vehicle according to the present invention.

FIG. 2 is a front view of the wheel shown in FIG. 1; and, FIG. 3 is a left side view thereof.

The broken line showing of the rear of the rim, the valve stem hole, the bolt holes and the center hole in the central hub area is included for the purpose of illustrating environment and forms no part of the claimed design.

**1 Claim, 3 Drawing Sheets**





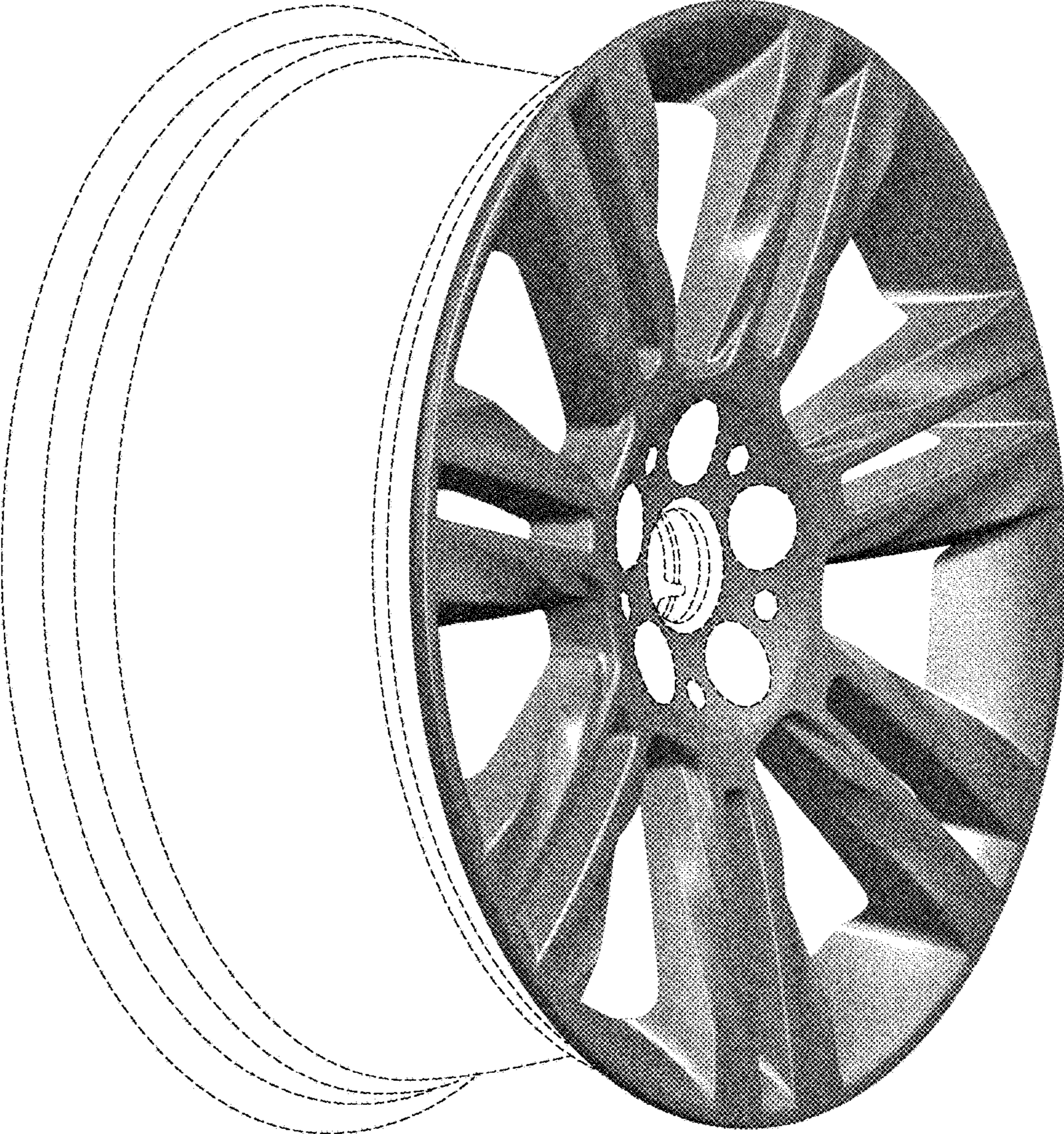


FIG. 1



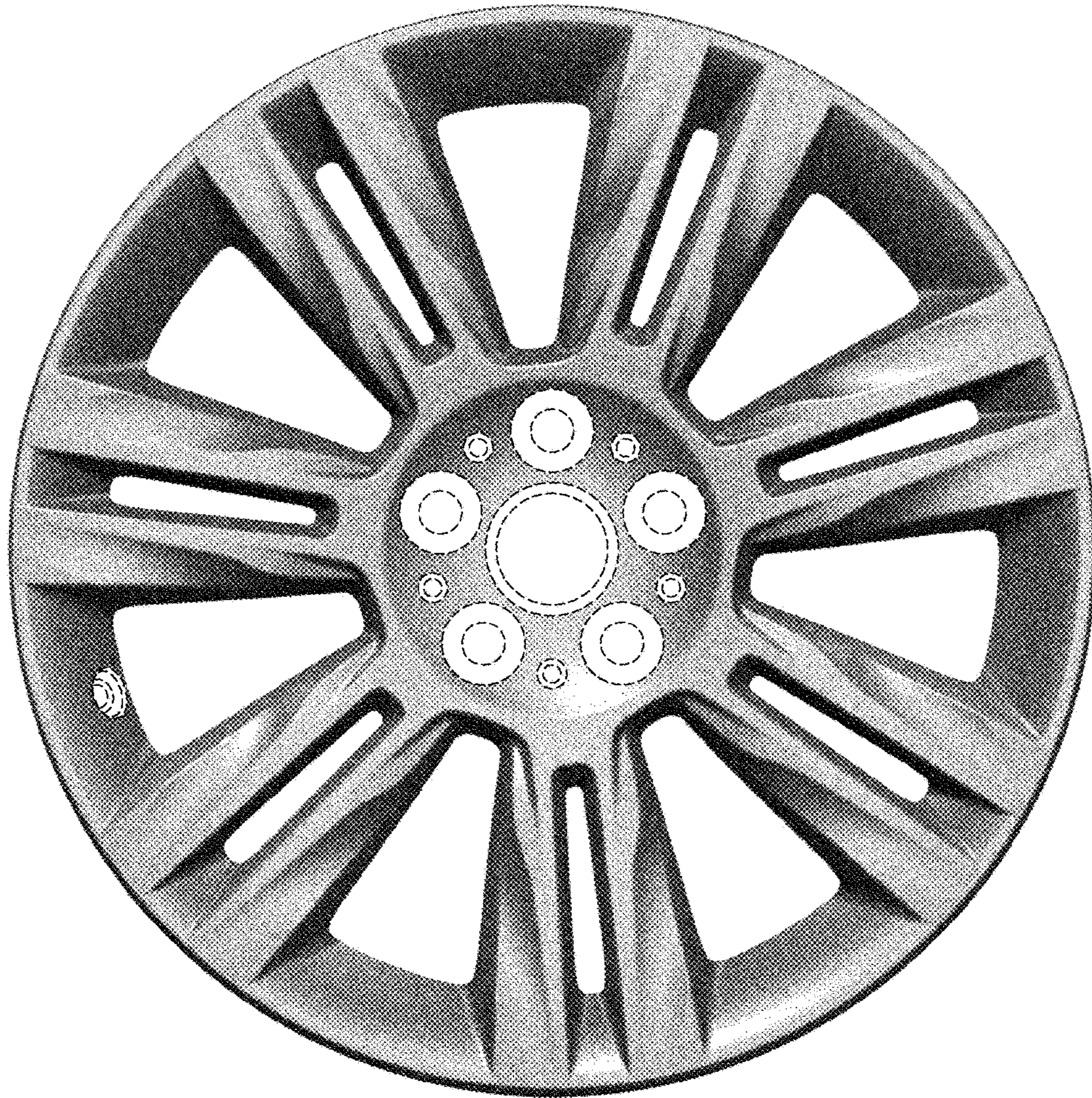


FIG. 2



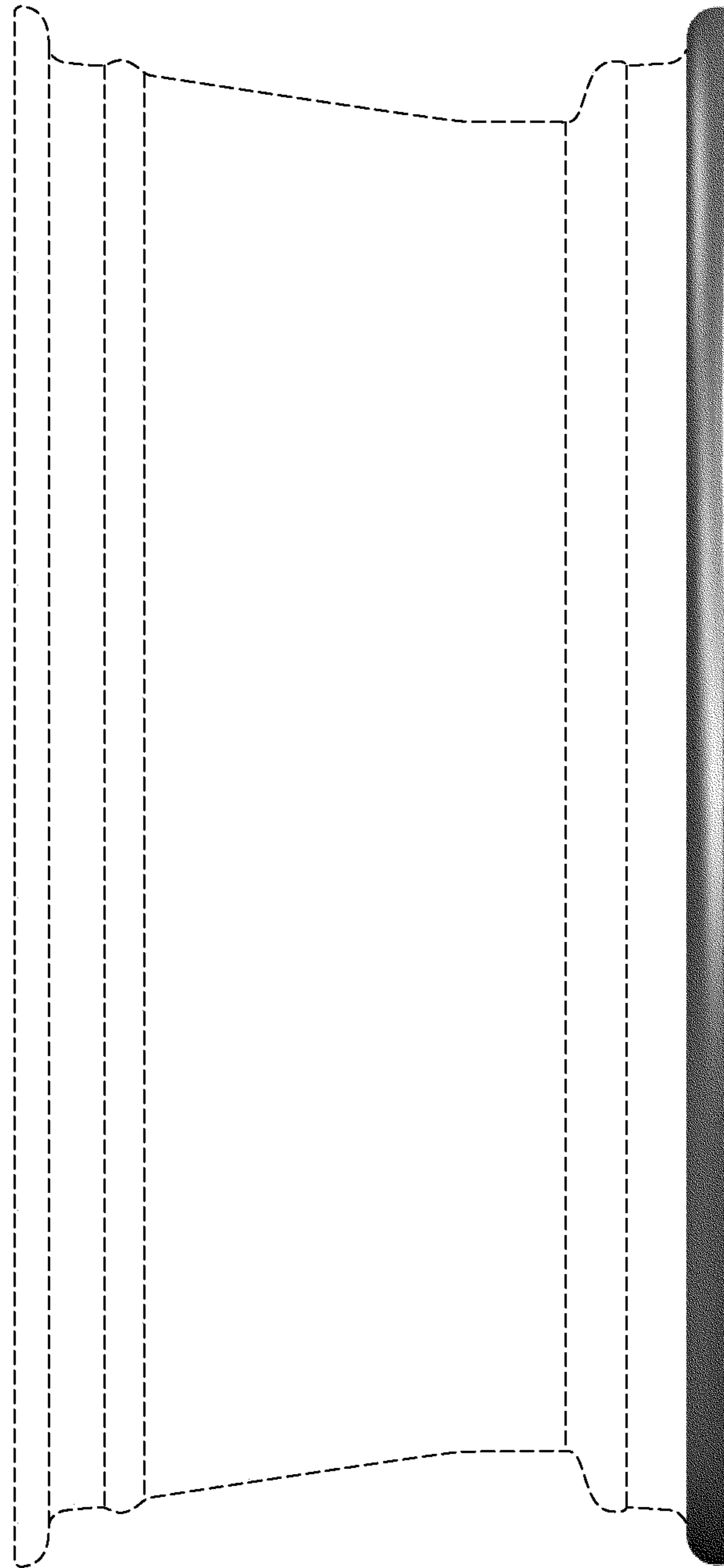


FIG. 3