



US00D781764S

(12) **United States Design Patent**
Zhao

(10) **Patent No.:** **US D781,764 S**

(45) **Date of Patent:** **** Mar. 21, 2017**

(54) **AUTOMOBILE WHEEL**

(71) Applicant: **WAH HUNG GROUP INC.**, Monterey Park, CA (US)

(72) Inventor: **John Zhao**, Monterey Park, CA (US)

(73) Assignee: **Wah Hung Group, Inc.**, Monterey Park

(**) Term: **15 Years**

(21) Appl. No.: **29/549,098**

(22) Filed: **Dec. 18, 2015**

(51) **LOC (10) Cl.** **12-16**

(52) **U.S. Cl.**
USPC **D12/209**

(58) **Field of Classification Search**
USPC D12/204–213
CPC B60B 7/00; B60B 7/02; B60B 7/04; B60B 7/01; B60B 7/06; B60B 3/02; B60B 3/04; B60B 3/06; B60B 3/10; B60B 1/00; B60B 1/08; B60B 1/10; B60B 1/12
See application file for complete search history.

(56) **References Cited**

U.S. PATENT DOCUMENTS

D505,905 S *	6/2005	Walbey, Jr.	D12/209
D514,052 S *	1/2006	Walbey, Jr.	D12/211
D543,922 S *	6/2007	Young	D12/209
D547,709 S *	7/2007	James	D12/209
D573,082 S *	7/2008	Young	D12/211
D579,845 S *	11/2008	Chung	D12/209
D582,829 S *	12/2008	Musser	D12/211
D625,241 S *	10/2010	Zhao	D12/211
D629,347 S *	12/2010	Kim	D12/211
D633,028 S *	2/2011	Kim	D12/211
D644,156 S *	8/2011	Johnson	D12/209

D649,101 S *	11/2011	Hale, Jr.	D12/209
D666,955 S *	9/2012	Chung	D12/209
D669,009 S *	10/2012	Chung	D12/211
D678,160 S *	3/2013	Claunch	D12/209
D680,936 S *	4/2013	Claunch	D12/209
D681,534 S *	5/2013	Zhao	D12/211
D691,545 S *	10/2013	Gordon	D12/211
D691,937 S *	10/2013	Chan	D12/209
D695,201 S *	12/2013	Zhao	D12/211
D699,660 S *	2/2014	Zhao	D12/209
D706,697 S *	6/2014	Chung	D12/209
D712,334 S *	9/2014	Hale, Jr.	D12/211
D719,496 S *	12/2014	Johnson	D12/209
D726,621 S	4/2015	Alfonso		
D751,017 S *	3/2016	Chung	D12/209
D764,375 S *	8/2016	Chung	D12/211

OTHER PUBLICATIONS

Search Results for In/ernie and IN/alfonso on USPTO.GOV on Dec. 21, 2014.

Search results of IN/john and TTL/wheel and IN/zhao on Dec. 19, 20014 on uspto.gov.

(Continued)

Primary Examiner — Stacia Cadmus

(74) *Attorney, Agent, or Firm* — Payam Moradian

(57) **CLAIM**

I claim the ornamental design for an automobile wheel, as shown and described.

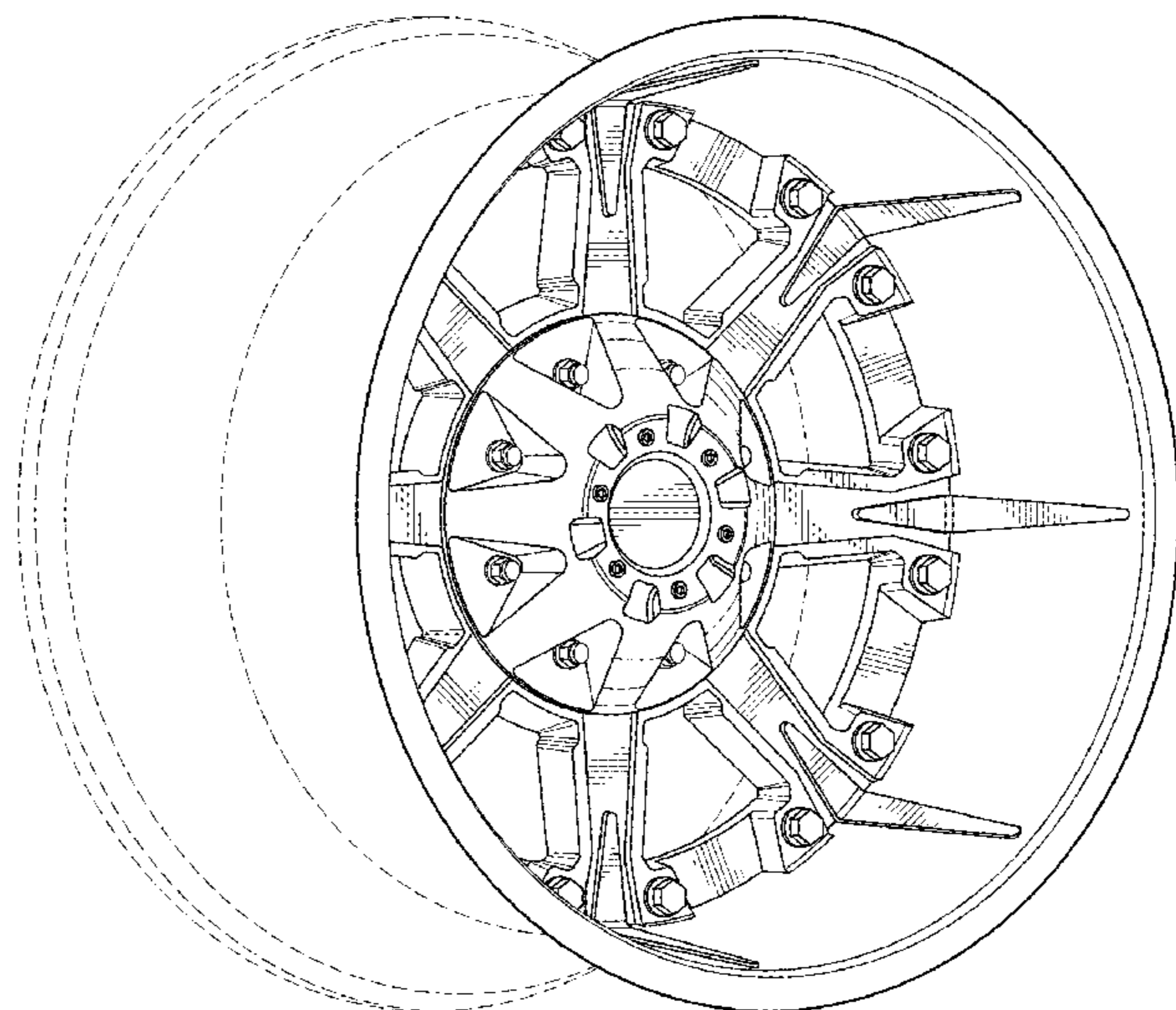
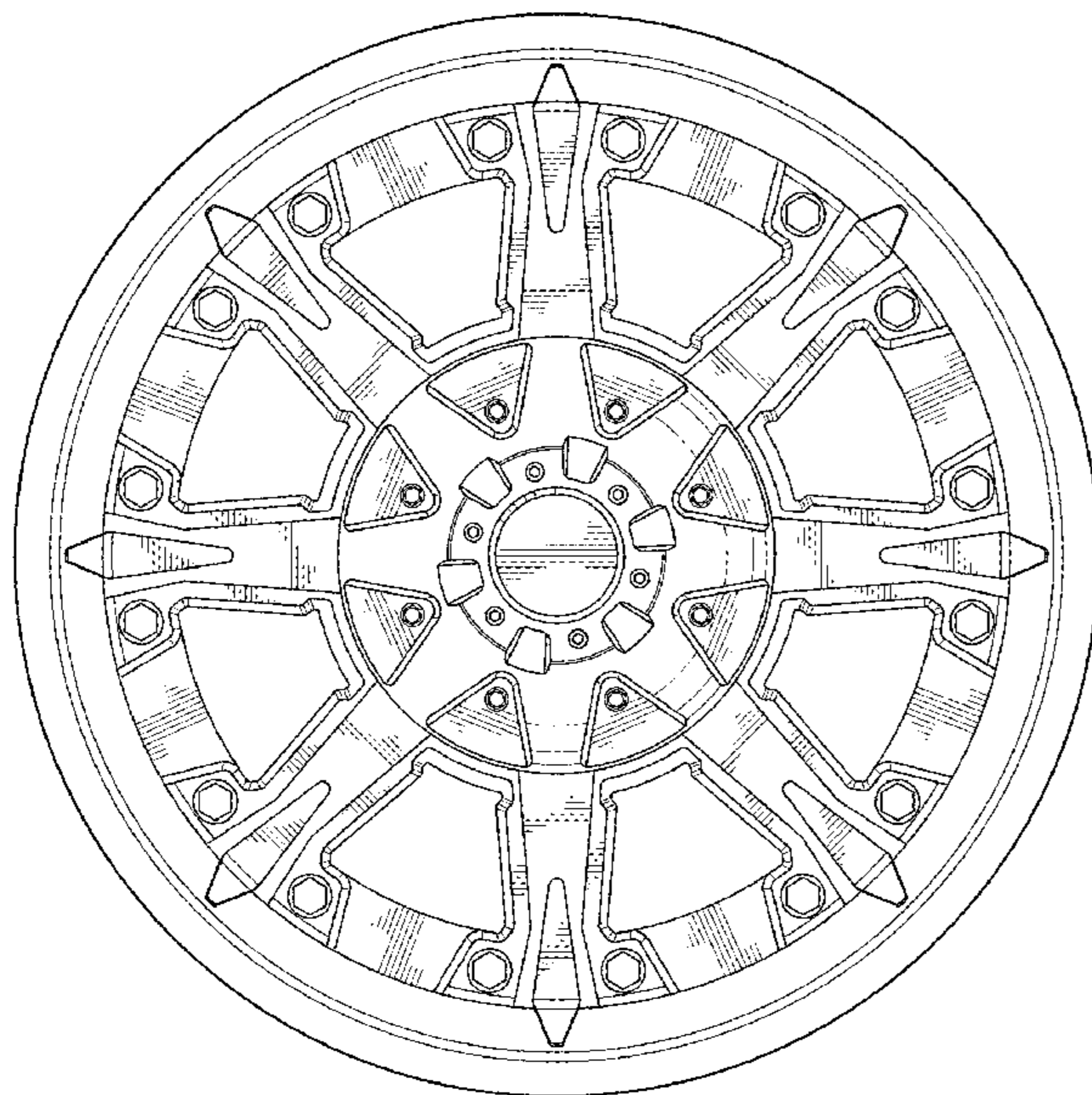
DESCRIPTION

FIG. 1 is a front elevational view of an automobile wheel; and,

FIG. 2 is a perspective view thereof.

The broken lines in the drawings of the automobile wheel are for showing portions of the article and form no part of the claimed design.

1 Claim, 2 Drawing Sheets



(56)

References Cited

OTHER PUBLICATIONS

U.S. Appl. No. 29/508,262, Ernie Alfonso, filed Nov. 4, 2014.
U.S. Appl. No. 29/508,266, Ernie Alfonso, filed Nov. 4, 2014.
U.S. Appl. No. 29/508,268, Ernie Alfonso, filed Nov. 4, 2014.
U.S. Appl. No. 29/508,269, Ernie Alfonso, filed Nov. 4, 2014.
U.S. Appl. No. 29/508,270, Ernie Alfonso, filed Nov. 4, 2014.
U.S. Appl. No. 29/508,271, Ernie Alfonso, filed Nov. 4, 2014.
U.S. Appl. No. 29/544,262, Ernie Alfonso, filed Nov. 2, 2015.
U.S. Appl. No. 29/544,267, Ernie Alfonso, filed Nov. 2, 2015.
U.S. Appl. No. 29/544,268, Ernie Alfonso, filed Nov. 2, 2015.
U.S. Appl. No. 29/544,272, Ernie Alfonso, filed Nov. 2, 2015.
U.S. Appl. No. 29/544,270, Ernie Alfonso, filed Nov. 2, 2015.
U.S. Appl. No. 29/544,275, Ernie Alfonso, filed Nov. 2, 2015.

* cited by examiner

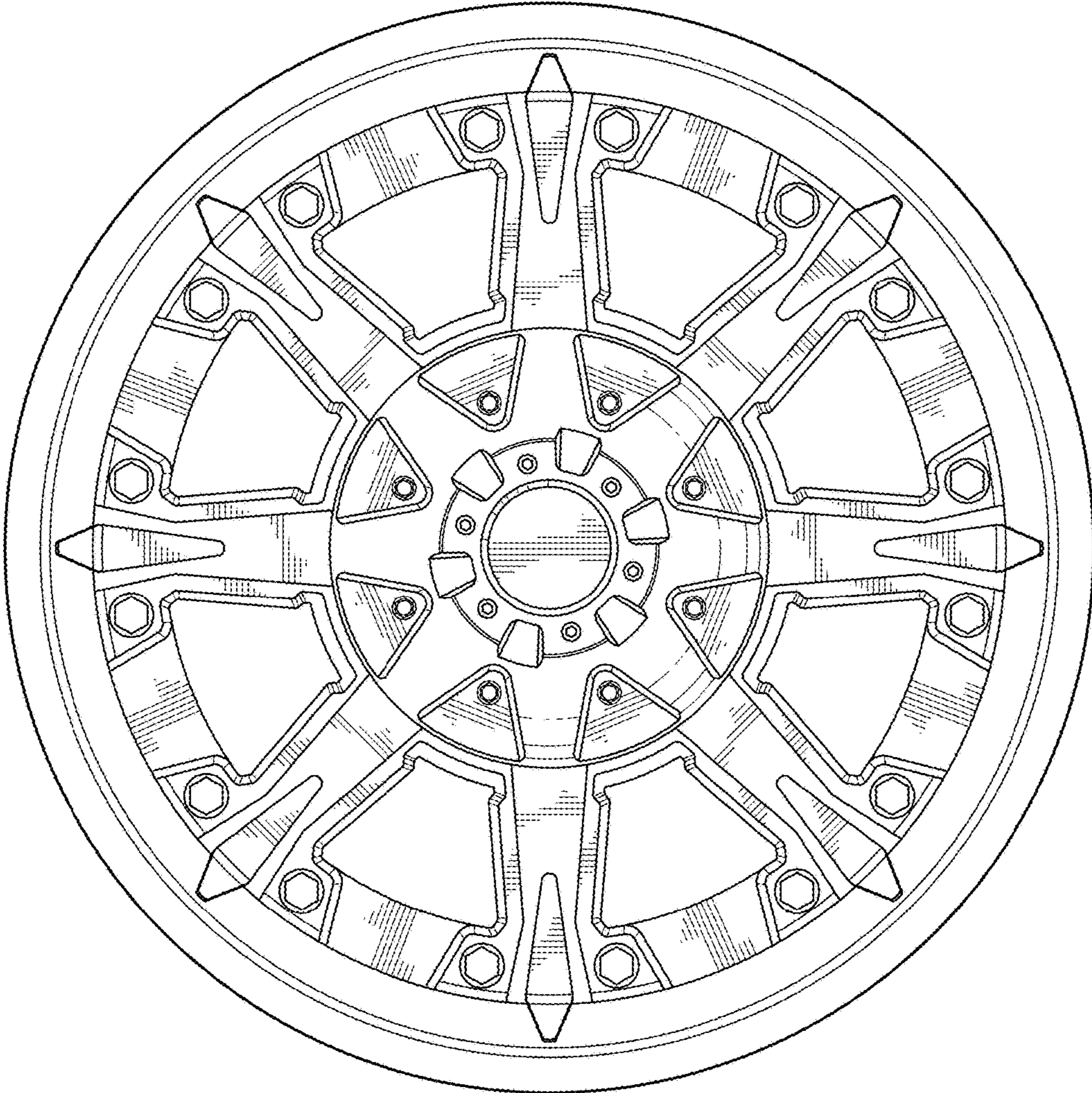


FIG. 1

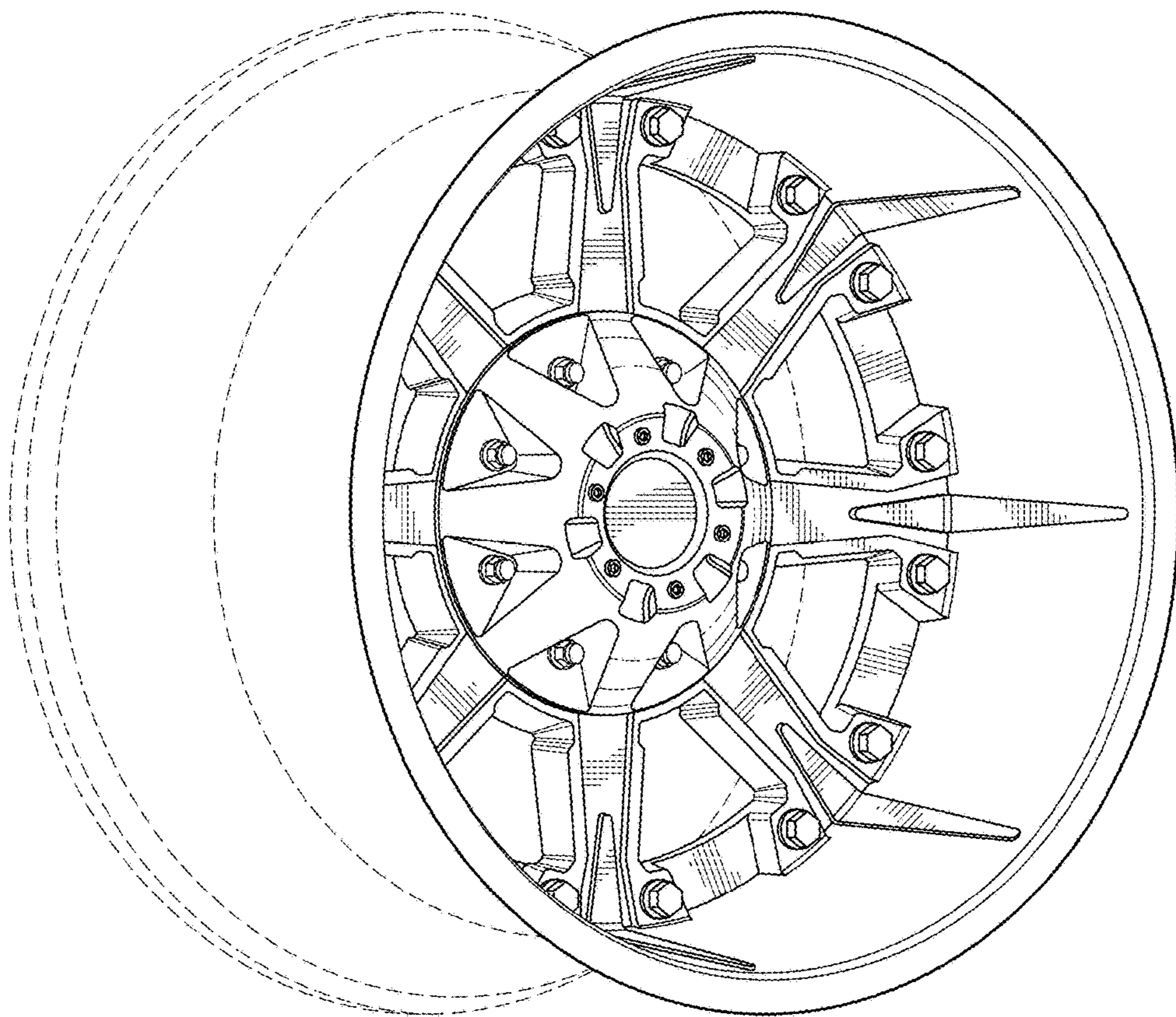


FIG. 2