



US00D781762S

(12) **United States Design Patent**  
**Setter**

(10) **Patent No.:** **US D781,762 S**

(45) **Date of Patent:** **\*\* Mar. 21, 2017**

(54) **WHEEL**

(71) Applicant: **Jaguar Land Rover Limited**, Whitley,  
Coventry (GB)

(72) Inventor: **Adam Setter**, Coventry (GB)

(73) Assignee: **Jaguar Land Rover Limited**, Whitley,  
Coventry (GB)

(\*\*) Term: **15 Years**

(21) Appl. No.: **29/539,025**

(22) Filed: **Sep. 10, 2015**

(30) **Foreign Application Priority Data**

Mar. 16, 2015 (EM) ..... 002656405

(51) **LOC (10) Cl.** ..... **12-16**

(52) **U.S. Cl.**  
USPC ..... **D12/209**

(58) **Field of Classification Search**  
USPC ..... D12/204–213  
CPC .... B60B 7/00; B60B 7/02; B60B 7/04; B60B  
7/01; B60B 7/06; B60B 3/02; B60B 3/04;  
B60B 3/06; B60B 3/10; B60B 1/00;  
B60B 1/08; B60B 1/10; B60B 1/12  
See application file for complete search history.

(56) **References Cited**

**U.S. PATENT DOCUMENTS**

D547,253 S \* 7/2007 Muzzarelli ..... D12/211  
D570,274 S \* 6/2008 Scheu ..... D12/211

D581,852 S \* 12/2008 Scheu ..... D12/211  
D594,804 S \* 6/2009 Laengerer ..... D12/211  
D614,114 S \* 4/2010 Kim ..... D12/211  
D644,589 S \* 9/2011 Fisker ..... D12/211  
D654,842 S \* 2/2012 Blasi ..... D12/209  
D663,248 S \* 7/2012 Kogawa ..... D12/209  
D671,876 S \* 12/2012 Roura ..... D12/209  
D671,877 S \* 12/2012 Roura ..... D12/209  
D676,794 S \* 2/2013 Hilpert ..... D12/209  
D689,808 S \* 9/2013 Buck ..... D12/209  
D706,194 S \* 6/2014 Hanaoka ..... D12/209  
D707,171 S \* 6/2014 Hammerbeck ..... D12/211  
D726,628 S \* 4/2015 Kong ..... D12/211  
D740,197 S \* 10/2015 Valencia Pollex ..... D12/209  
D745,842 S \* 12/2015 Wheel ..... D12/209  
D747,256 S \* 1/2016 Johnson ..... D12/211  
D751,016 S \* 3/2016 Valencia Pollex ..... D12/209  
D751,021 S \* 3/2016 Vaya ..... D12/211

\* cited by examiner

*Primary Examiner* — Stacia Cadmus

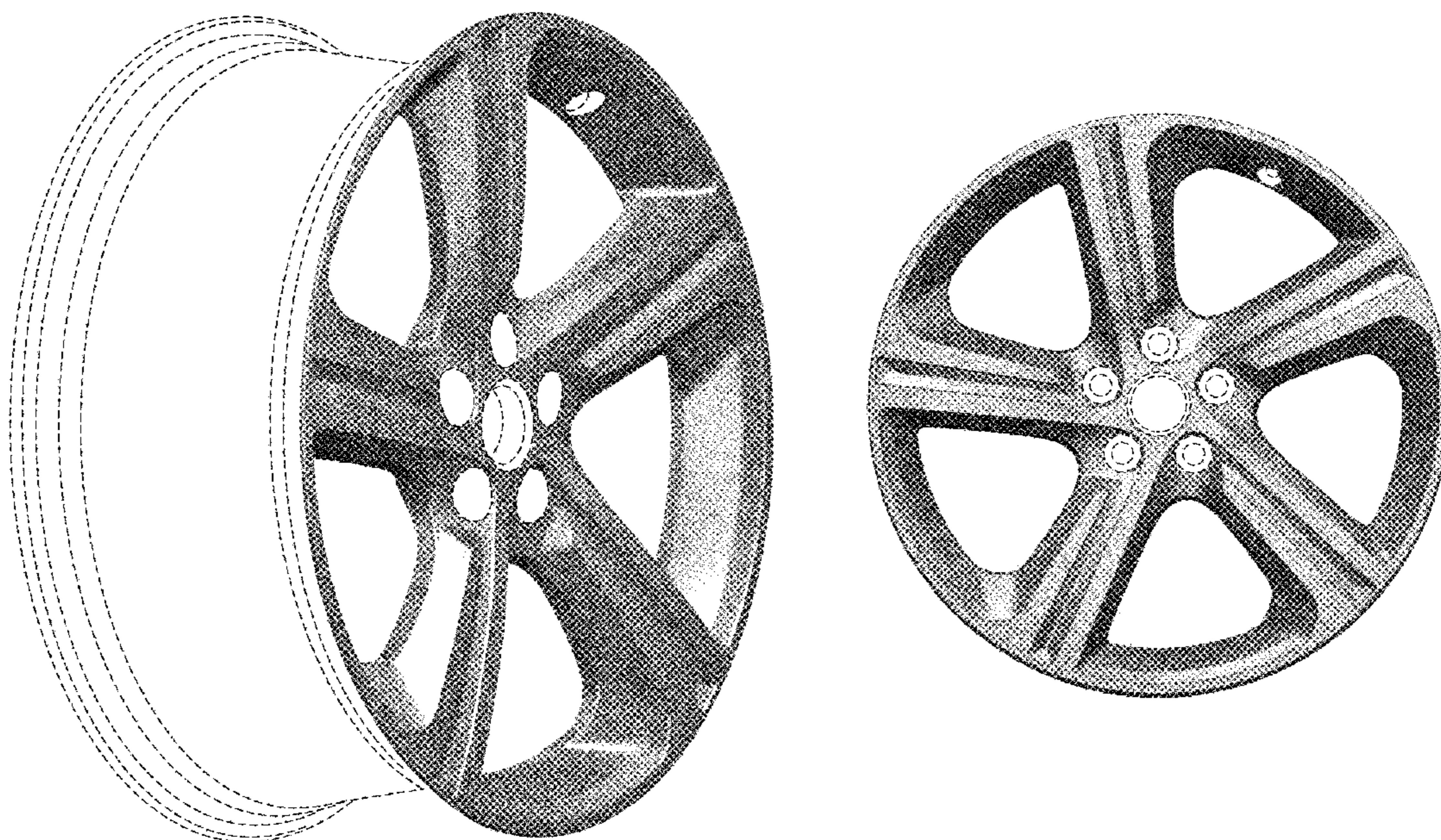
(57) **CLAIM**

The ornamental design for a wheel, as shown and described.

**DESCRIPTION**

FIG. 1 is a front left perspective view of a wheel for a vehicle according to the present invention. FIG. 2 is a front view of the wheel shown in FIG. 1; and, FIG. 3 is a left side view thereof. The broken line showing of the rear of the rim, the valve stem hole, the bolt holes and the center hole in the central hub area is included for the purpose of illustrating environment and forms no part of the claimed design.

**1 Claim, 2 Drawing Sheets**



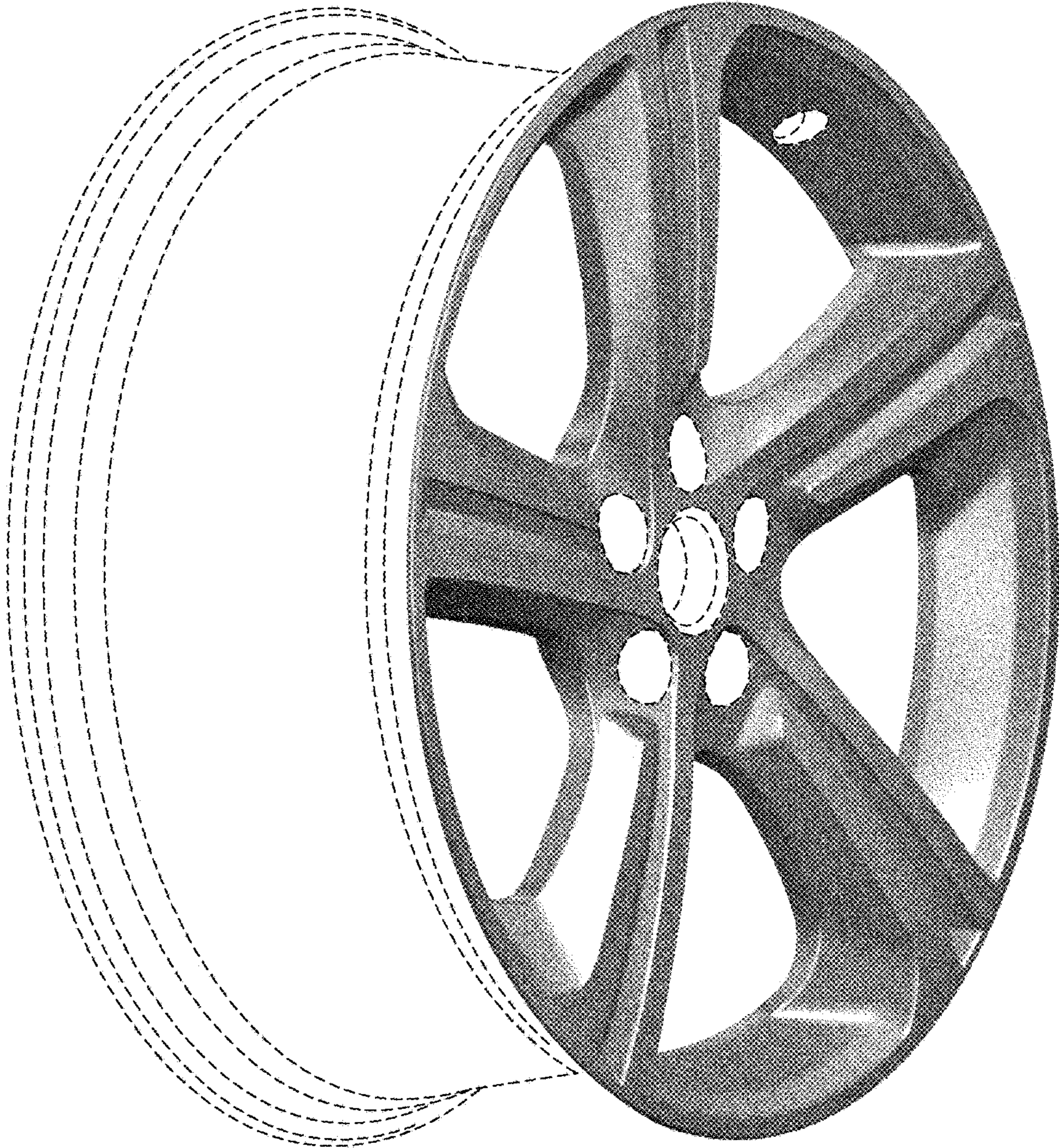


FIG. 1

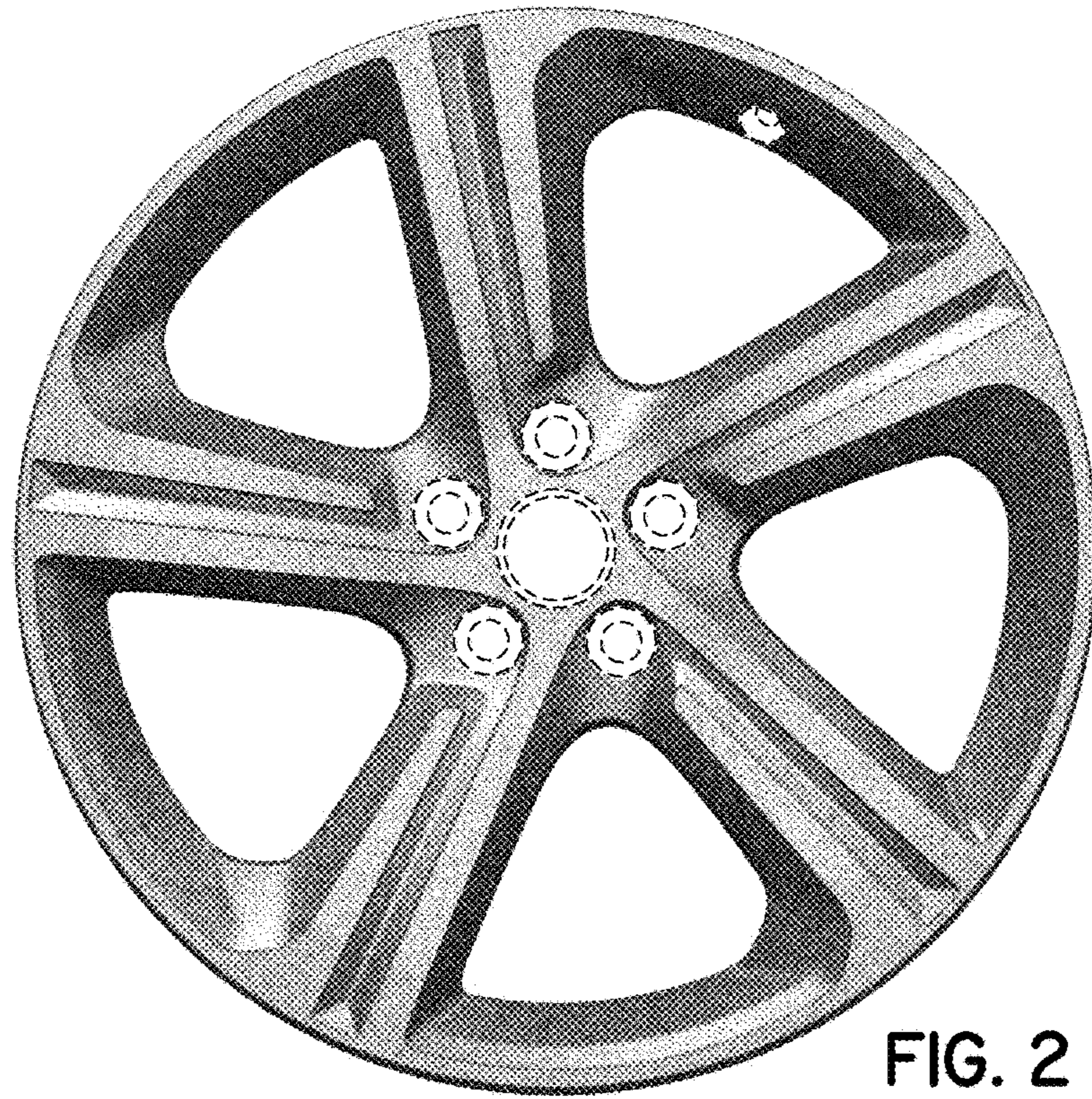


FIG. 2

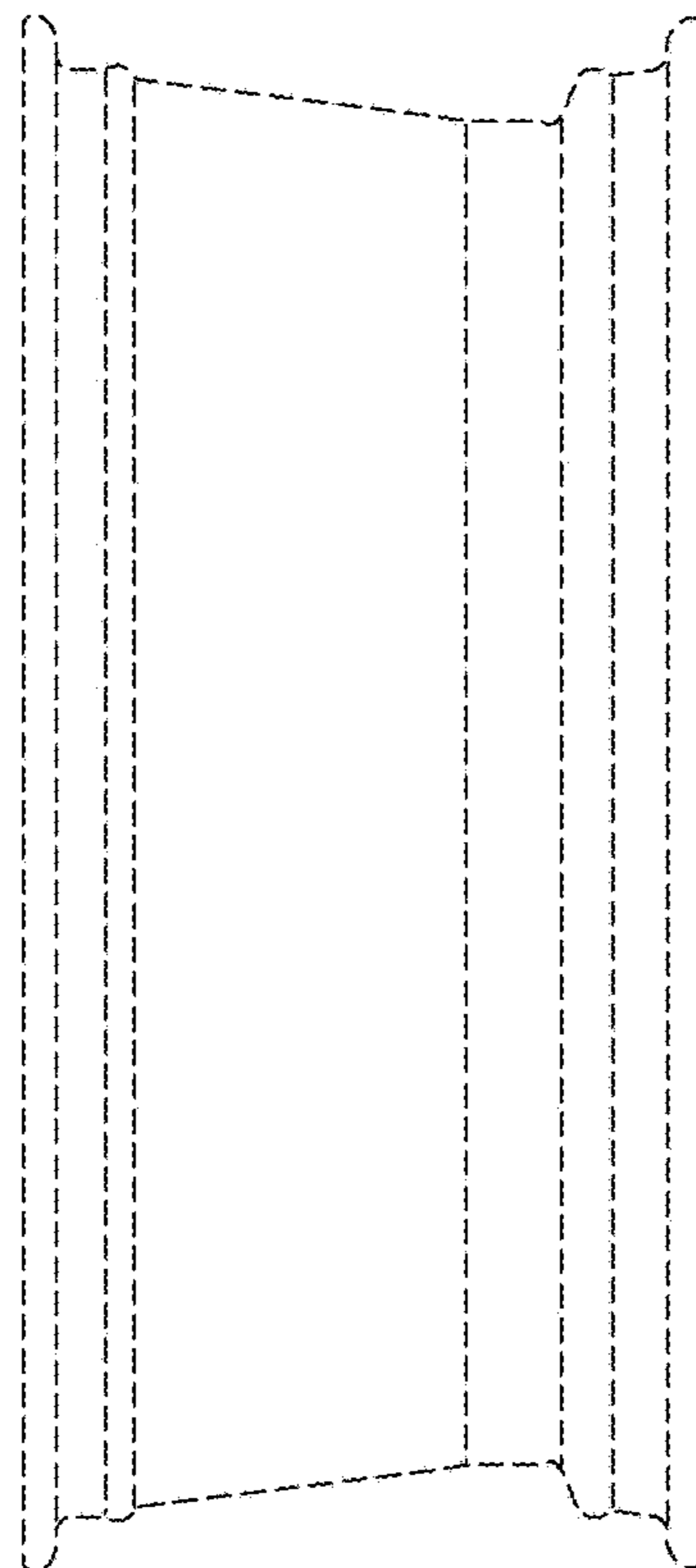


FIG. 3