



US00D781757S

(12) **United States Design Patent**  
**Baggett**

(10) **Patent No.:** **US D781,757 S**  
(45) **Date of Patent:** **\*\* Mar. 21, 2017**

- (54) **BUMPER**
- (71) Applicant: **Nivel Parts & Manufacturing Co., LLC**, Jacksonville, FL (US)
- (72) Inventor: **William Cody Baggett**, Tallahassee, FL (US)
- (73) Assignee: **Nivel Parts & Manufacturing Co., LLC**, Jacksonville, FL (US)
- (\*\*) Term: **15 Years**

D497,324 S *	10/2004	Chestnut	.....	D12/1
D498,704 S *	11/2004	Bonner	.....	D12/16
D503,905 S *	4/2005	Saito	.....	D12/1
D504,638 S *	5/2005	Tanaka	.....	D12/14
D548,661 S *	8/2007	Hanson	.....	D12/169
D571,689 S *	6/2008	Andrews	.....	D12/16
D578,433 S *	10/2008	Kawaguchi	.....	D12/14
D588,046 S *	3/2009	Fitzgerald	.....	D12/16
D600,593 S *	9/2009	Hanson	.....	D12/16
D618,137 S *	6/2010	Yuan	.....	D12/16
D641,288 S *	7/2011	Sun	.....	D12/87
D721,012 S *	1/2015	Zhang	.....	D12/16
D726,605 S *	4/2015	Schroeder	.....	D12/171
D762,141 S *	7/2016	Zhou	.....	D12/16

(Continued)

- (21) Appl. No.: **29/540,791**
- (22) Filed: **Sep. 28, 2015**
- (51) **LOC (10) Cl.** ..... **12-16**
- (52) **U.S. Cl.**  
USPC ..... **D12/167; D12/16**
- (58) **Field of Classification Search**  
USPC ..... D12/14, 16, 82, 86, 87, 163, 164, 169,  
D12/171; 295/113, 115  
CPC ... B60R 9/08; B60R 19/02; B60R 2019/1886;  
B60R 19/48; B60R 19/52; B60R 19/56;  
B60K 11/06  
See application file for complete search history.

*Primary Examiner* — Karen Kearney  
*Assistant Examiner* — Katherine Holbrow  
 (74) *Attorney, Agent, or Firm* — Weiss & Arons LLP

(57) **CLAIM**

The ornamental design for a bumper, as shown and described.

**DESCRIPTION**

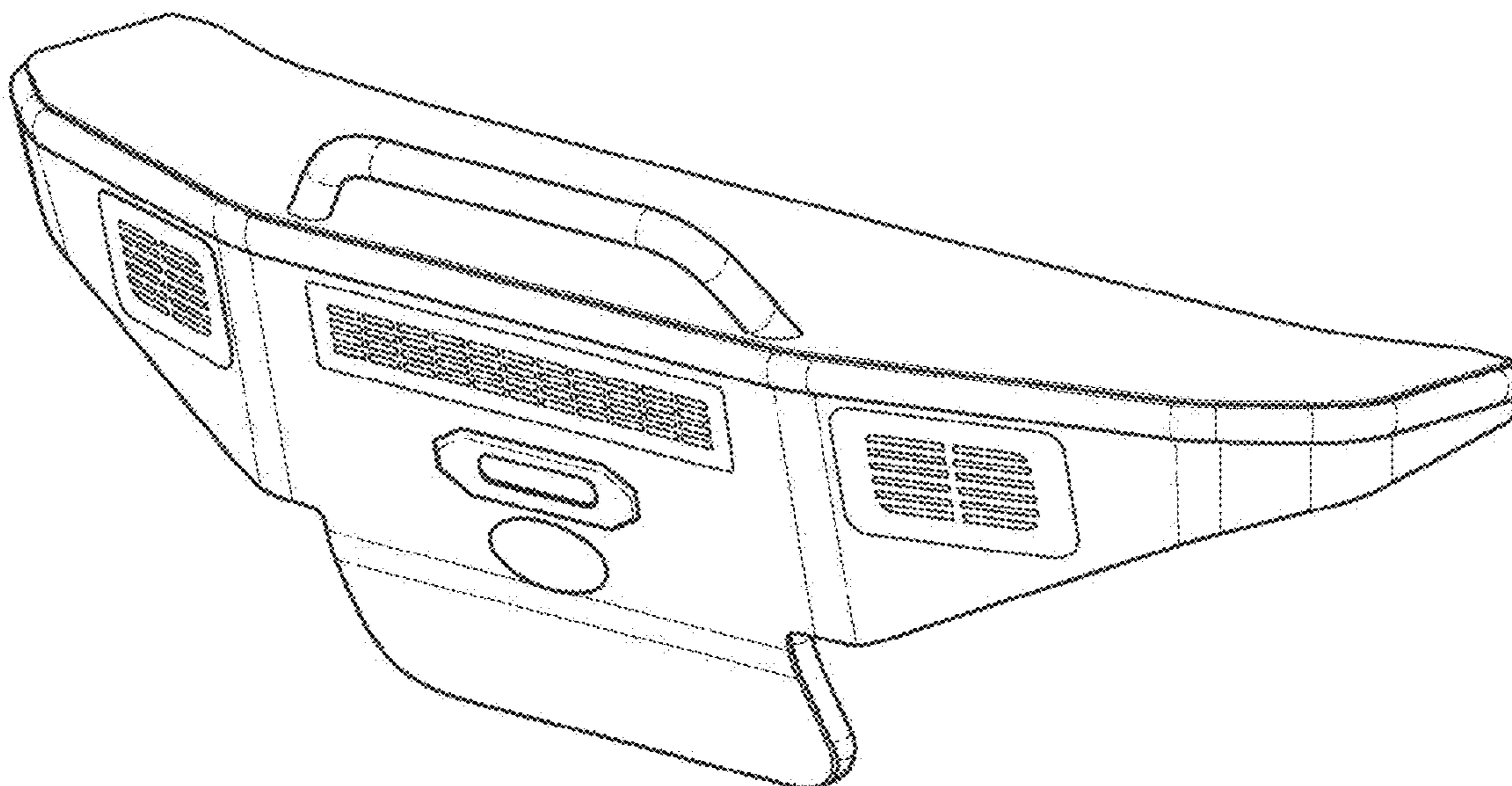
FIG. 1 is a front right perspective view of a bumper showing our new design;  
 FIG. 2 is a front view of the bumper of FIG. 1;  
 FIG. 3 is a rear view of the bumper of FIG. 1;  
 FIG. 4 is a right side view of the bumper of FIG. 1;  
 FIG. 5 is a left side view of the bumper of FIG. 1;  
 FIG. 6 is a top view of the bumper of FIG. 1; and,  
 FIG. 7 is a bottom view of the bumper of FIG. 1.  
 The broken lines and portions within the broken lines shown in FIGS. 3 and 6 are included for the purpose of illustrating portions of the article and form no part of the claimed design.

(56) **References Cited**

**U.S. PATENT DOCUMENTS**

D320,580 S *	10/1991	Kim	.....	D12/16
D326,831 S *	6/1992	Lanius	.....	D12/16
D345,717 S *	4/1994	Molzon	.....	D12/16
D373,099 S *	8/1996	Molzon	.....	D12/16
D439,548 S *	3/2001	Kouchi	.....	D12/1
6,523,879 B2 *	2/2003	Mizuta	.....	B60N 3/02 180/89.1
D485,219 S *	1/2004	Hamm	.....	D12/169

**1 Claim, 3 Drawing Sheets**



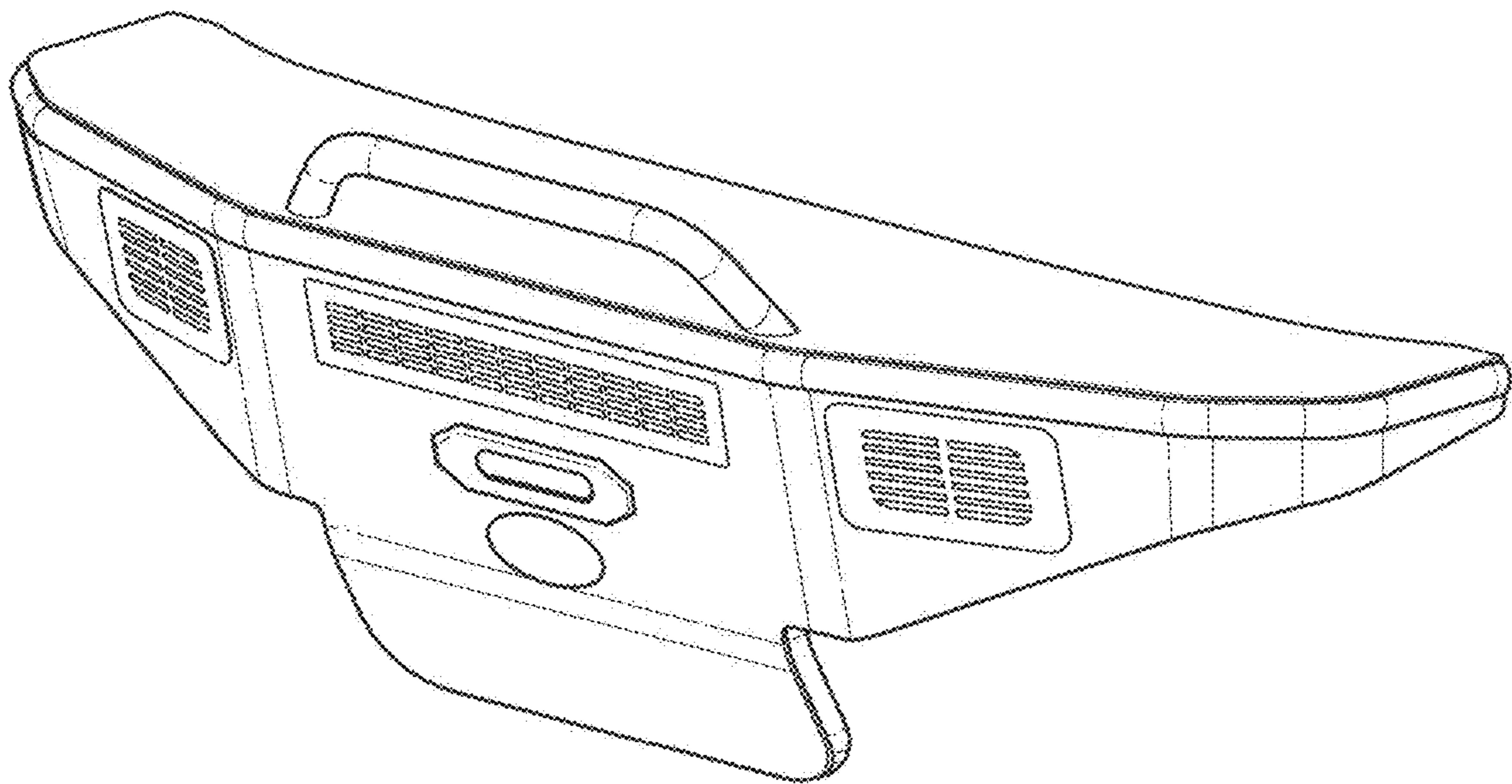
(56)

**References Cited**

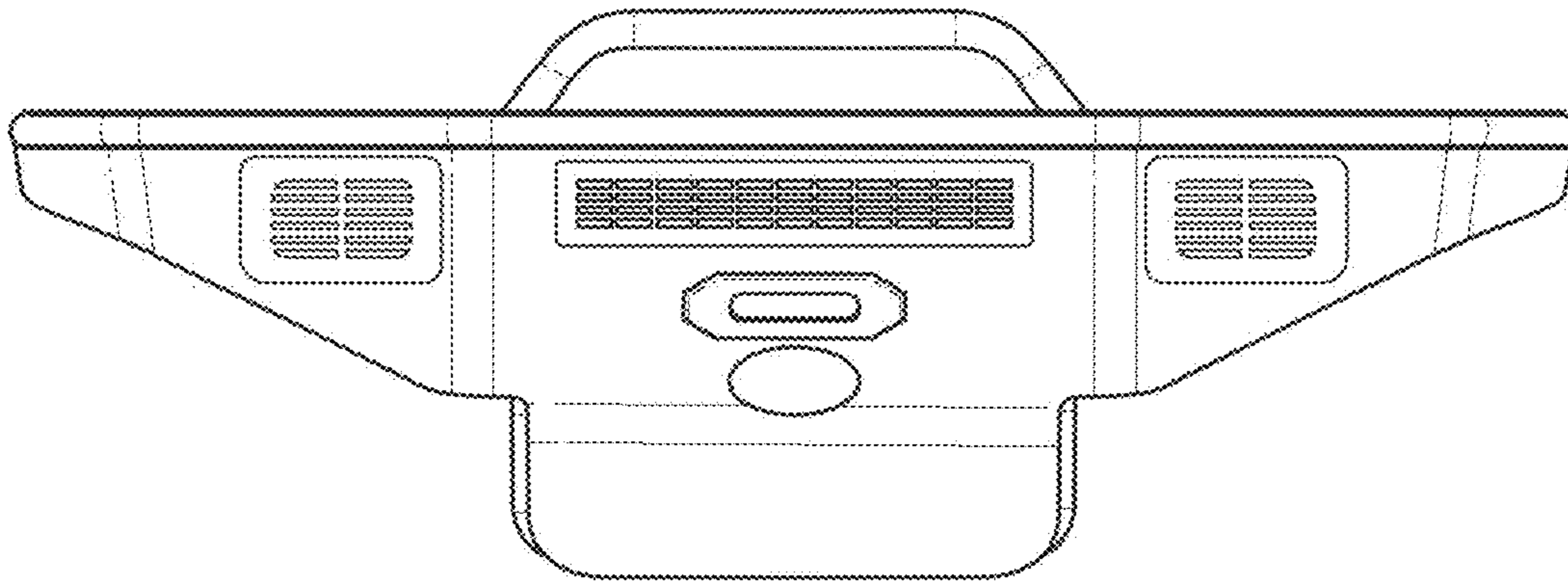
U.S. PATENT DOCUMENTS

2007/0216180 A1\* 9/2007 Hanson ..... B60Q 1/0035  
296/1.08

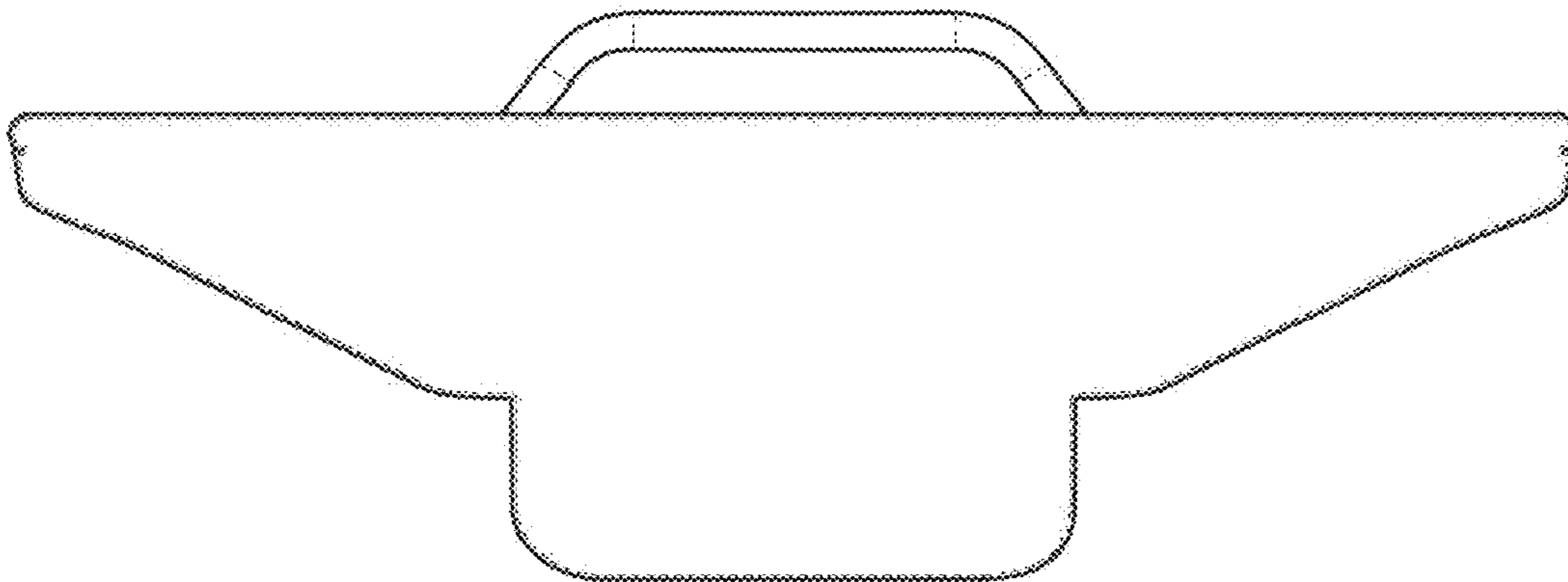
\* cited by examiner



*Fig. 1*

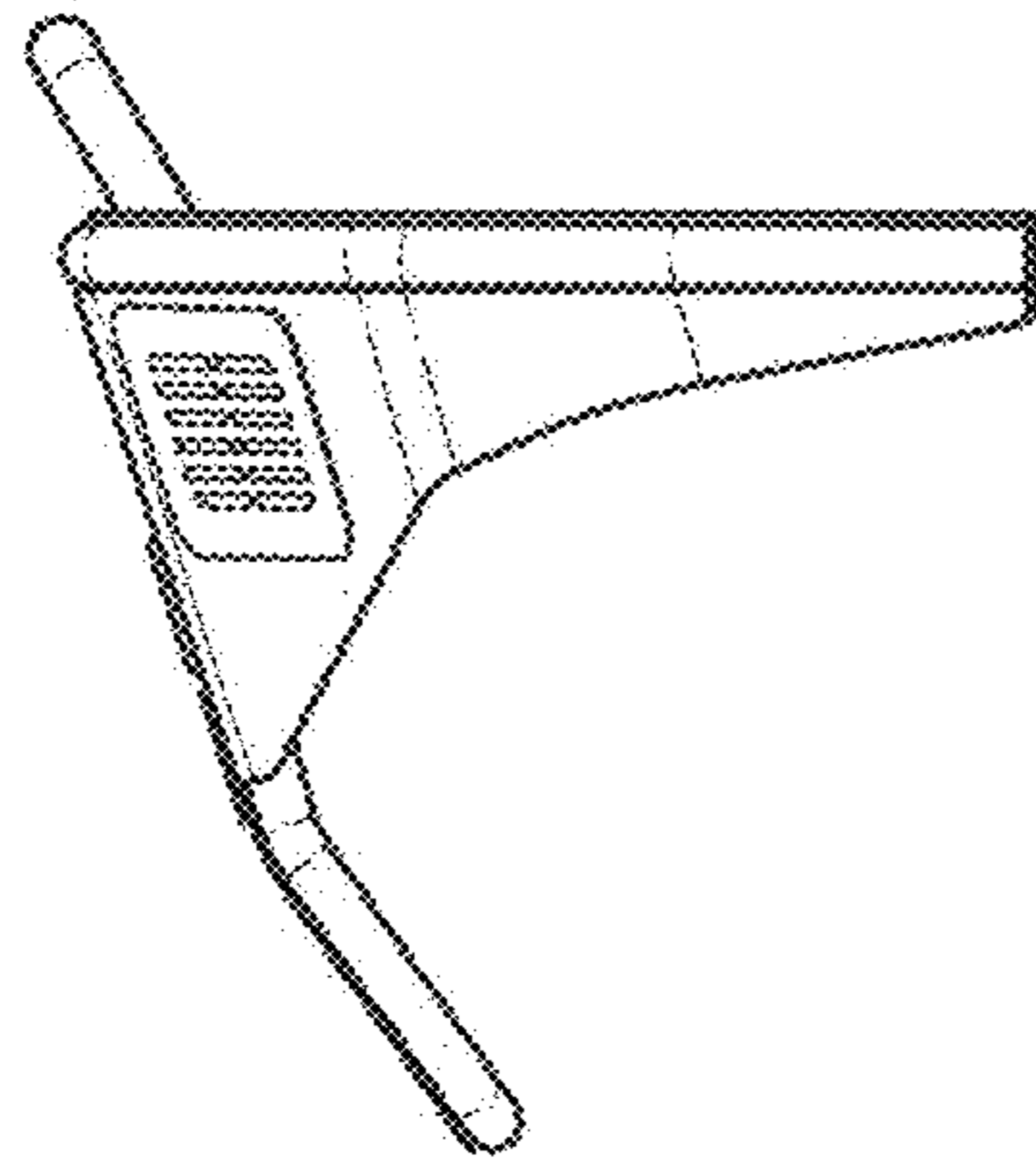


*Fig. 2*

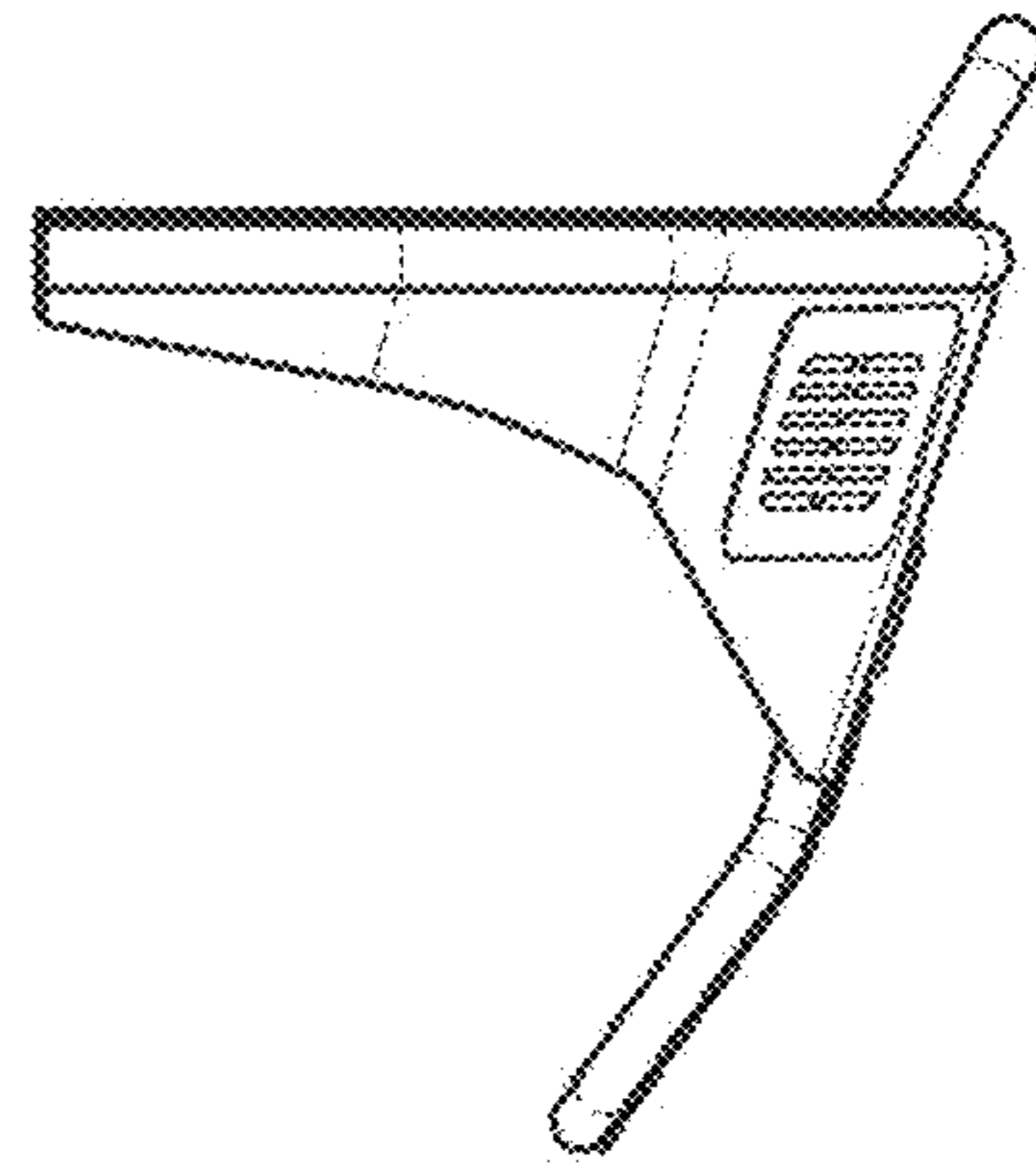


*Fig. 3*

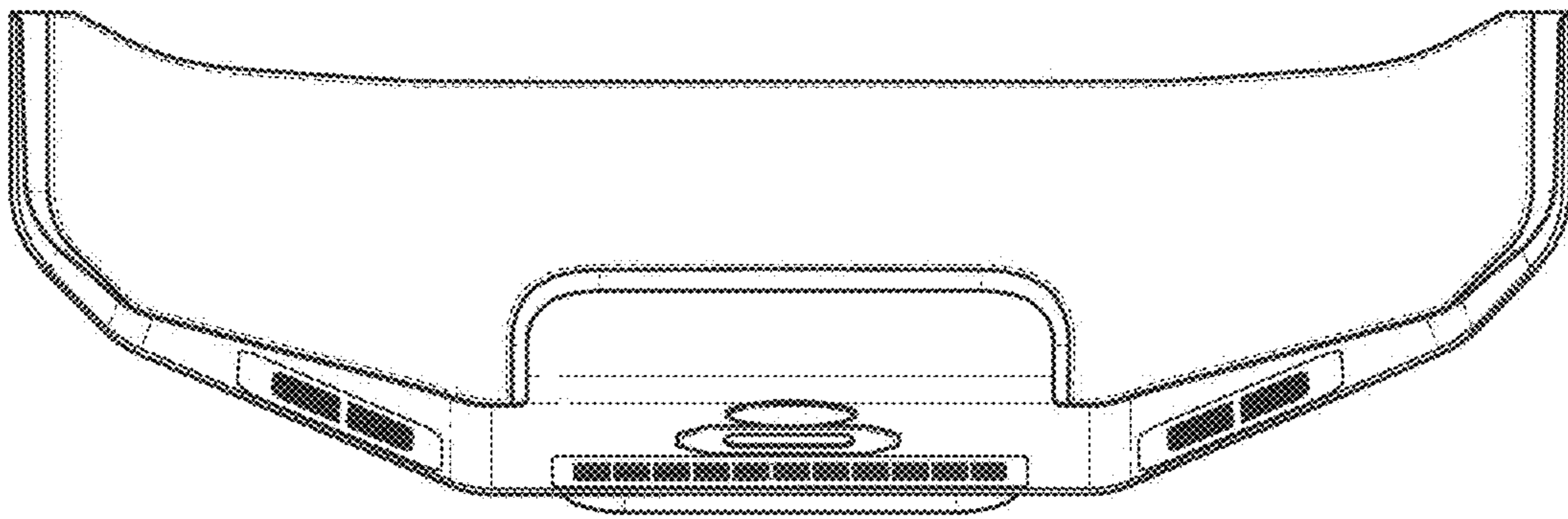




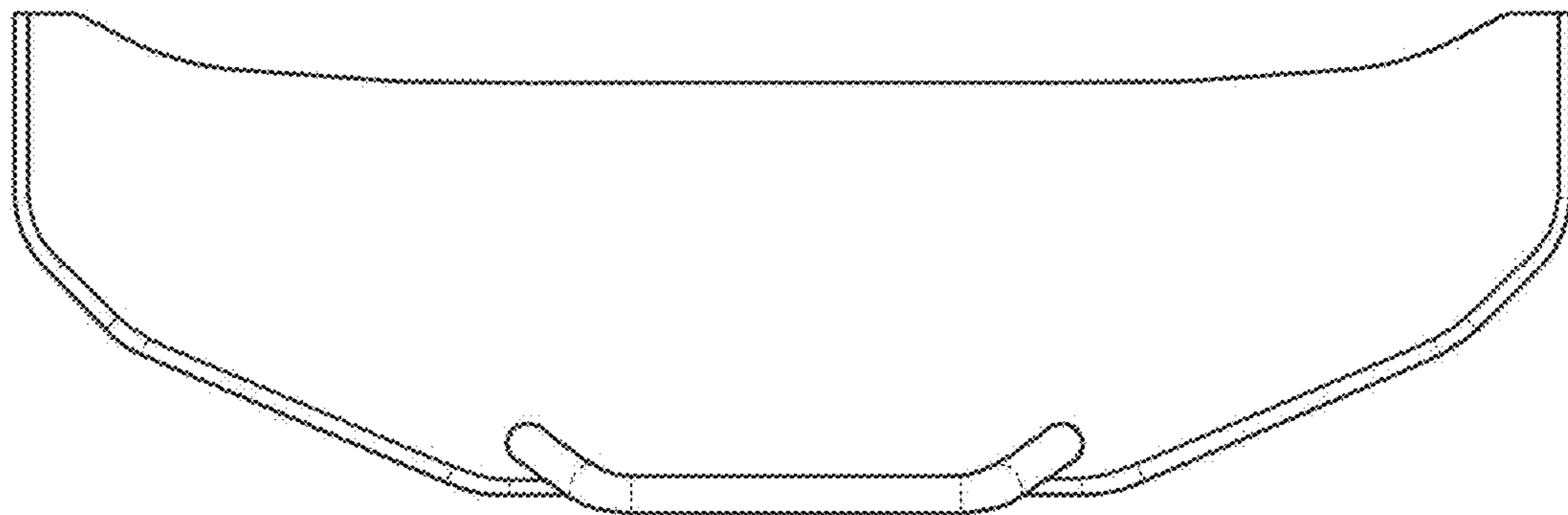
*Fig. 4*



*Fig. 5*



*Fig. 6*



*Fig. 7*