



US00D781756S

(12) **United States Design Patent**  
**Katz et al.**

(10) **Patent No.:** **US D781,756 S**  
(45) **Date of Patent:** **\*\* Mar. 21, 2017**

(54) **SPEAKING TUBE FOR A STROLLER**

(71) Applicants: **Jonathan S. Katz**, New York, NY (US); **Alana Reed Katz**, New York, NY (US)

(72) Inventors: **Jonathan S. Katz**, New York, NY (US); **Alana Reed Katz**, New York, NY (US); **Emily Moyer**, Brooklyn, NY (US)

(73) Assignees: **Jonathan S. Katz**, New York, NY (US); **Alana Reed Katz**, New York, NY (US)

(\*\*) Term: **14 Years**

(21) Appl. No.: **29/526,624**

(22) Filed: **May 12, 2015**

(51) **LOC (10) Cl.** ..... **12-12**

(52) **U.S. Cl.**  
USPC ..... **D12/133**

(58) **Field of Classification Search**  
USPC ..... D12/128-133; D24/175  
CPC ..... B62B 7/00-7/04; B62B 9/00-9/28; G10K 11/22

See application file for complete search history.

(56) **References Cited**

**U.S. PATENT DOCUMENTS**

453,919	A *	6/1891	Schluchtner	.....	G09B 19/04 181/20
652,926	A *	7/1900	Salmond	.....	G09B 19/04 181/20
1,955,139	A *	4/1934	Martin	.....	G10K 11/22 181/22
4,187,635	A *	2/1980	Deissler	.....	A63H 5/00 116/168

(Continued)

*Primary Examiner* — Charles Hanson

(74) *Attorney, Agent, or Firm* — Leason Ellis LLP

(57) **CLAIM**

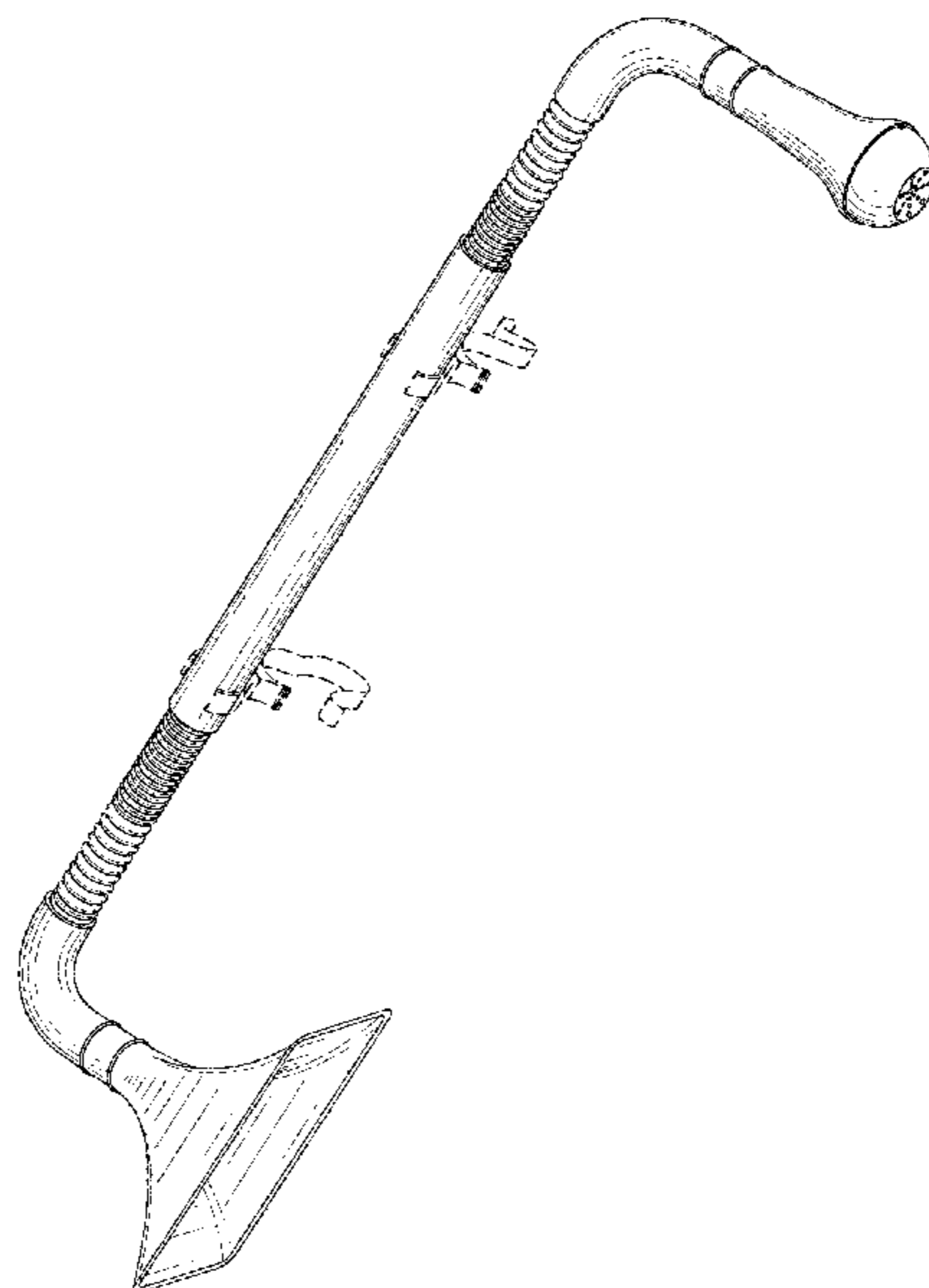
The ornamental design for a speaking tube for a stroller, as shown and described.

**DESCRIPTION**

FIG. 1 is a perspective view of a speaking tube for a stroller showing our new design, with an expandable portion partially expanded state;  
 FIG. 2 is left side plan view of FIG. 1 in which the attachment clips are not shown and the expandable portion is in a collapsed state;  
 FIG. 3 is a right side plan view thereof;  
 FIG. 4 is a front plan view thereof;  
 FIG. 5 is a rear plan view thereof;  
 FIG. 6 is a top plan view thereof;  
 FIG. 7 is a bottom plan view thereof;  
 FIG. 8 is a side view thereof as attached to a stroller;  
 FIG. 9 is an isometric view of a portion of the speaking tube for a stroller of FIG. 1, showing an optional cover in an opened position;  
 FIG. 10 is an isometric view of the portion in FIG. 9, showing the optional cover in a closed position;  
 FIG. 11 is a right side view of the portion in FIG. 10, with the tube removed for illustration;  
 FIG. 12 is a bottom plan view thereof;  
 FIG. 13 is a front plan view thereof; and,  
 FIG. 14 is a rear plan view thereof.

The broken lines showing the clips in FIGS. 1 and 8, and the optional cover in FIGS. 9-14 is included for the purpose of illustrating unclaimed subject matter, and the showing of the stroller with user and rider in FIG. 8 is included for the purpose of illustrating environment, and both form no part of the claimed design.

**1 Claim, 6 Drawing Sheets**



(56)

**References Cited**

U.S. PATENT DOCUMENTS

4,473,130 A \* 9/1984 Korber ..... A42B 3/30  
181/128  
4,768,612 A \* 9/1988 Hodson ..... G10K 11/22  
181/21  
5,827,173 A \* 10/1998 Lindsay ..... G10K 11/22  
181/21  
D423,103 S \* 4/2000 Green ..... D24/173  
6,724,898 B1 \* 4/2004 Frankle ..... A61F 2/20  
381/70  
2009/0285432 A1 \* 11/2009 Schnitta ..... G10K 11/178  
381/353

\* cited by examiner

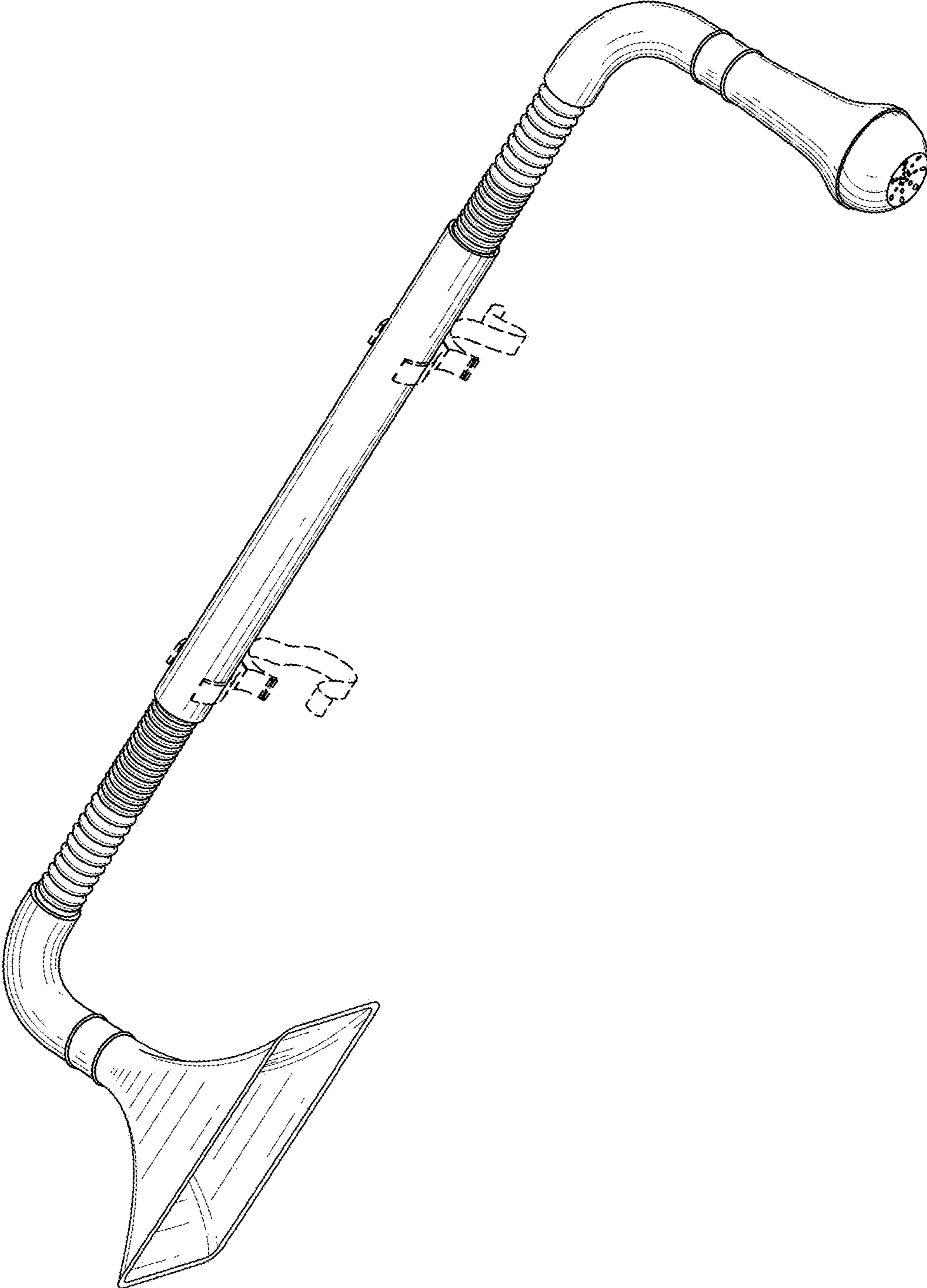


Fig. 1

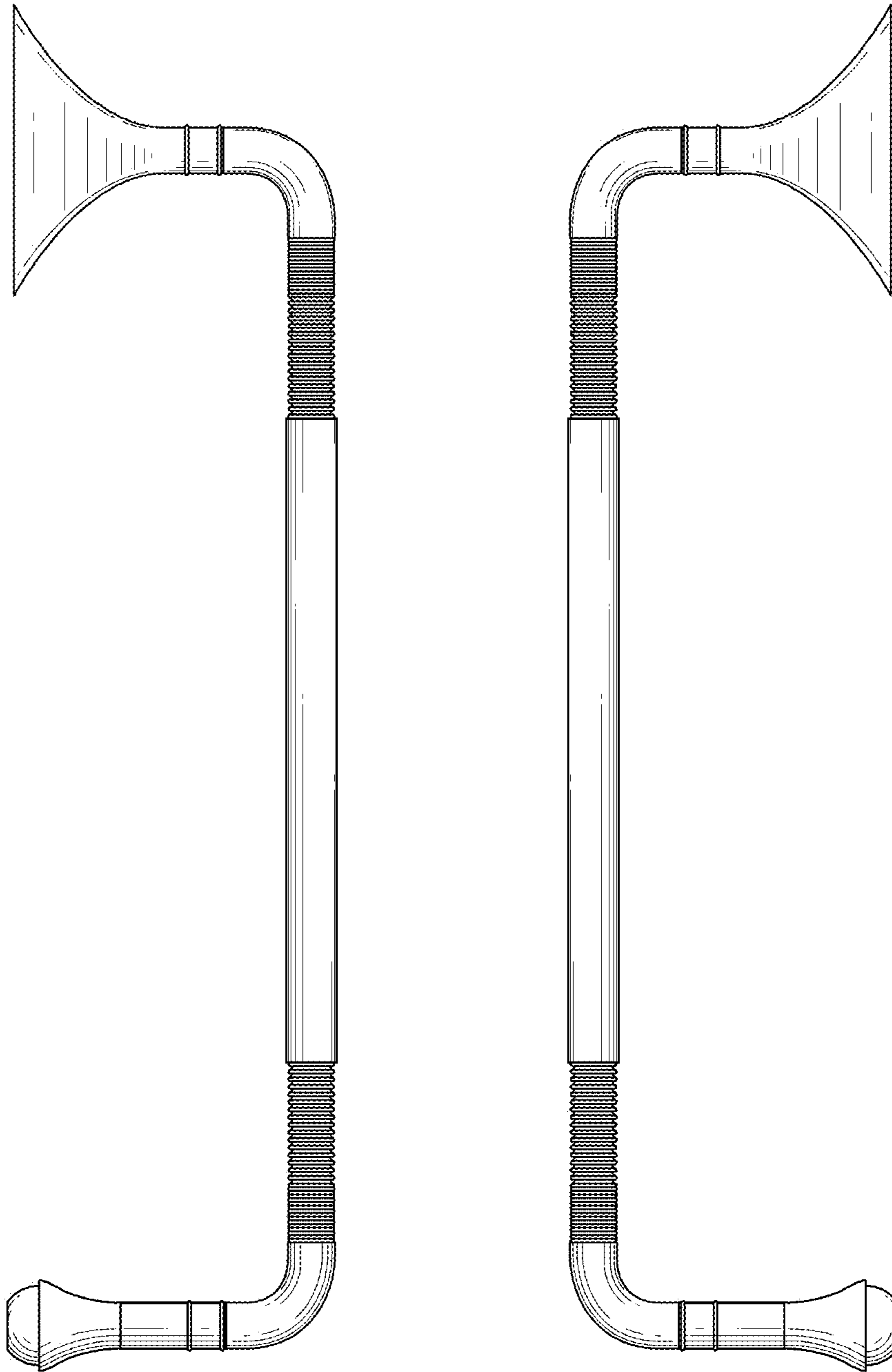


Fig. 2

Fig. 3

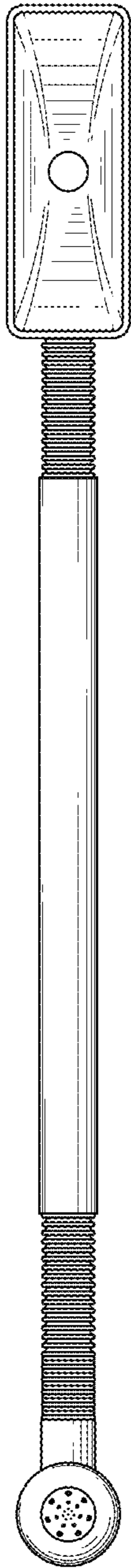


Fig. 4

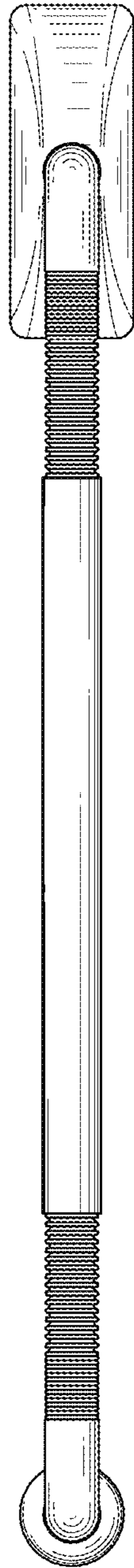


Fig. 5

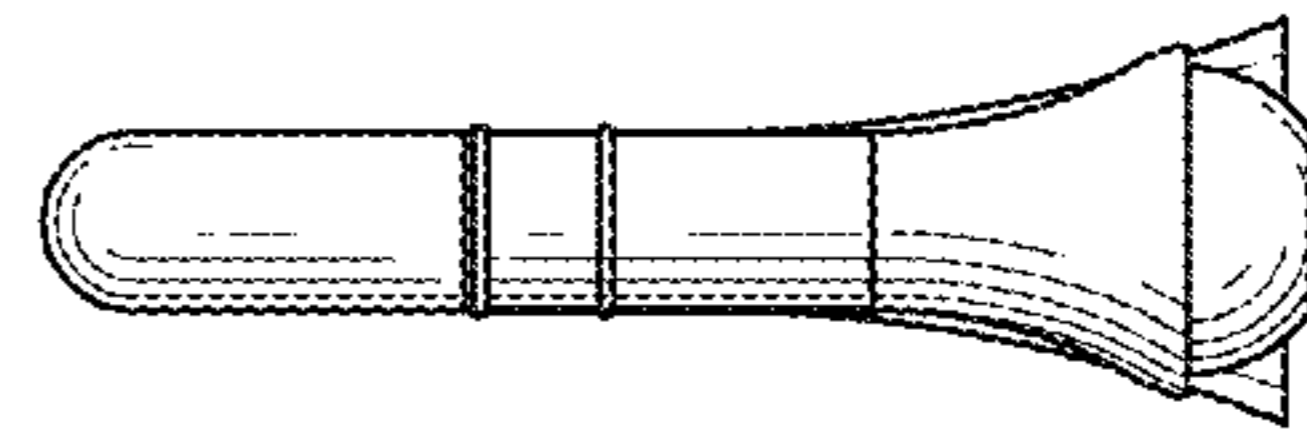


Fig. 6

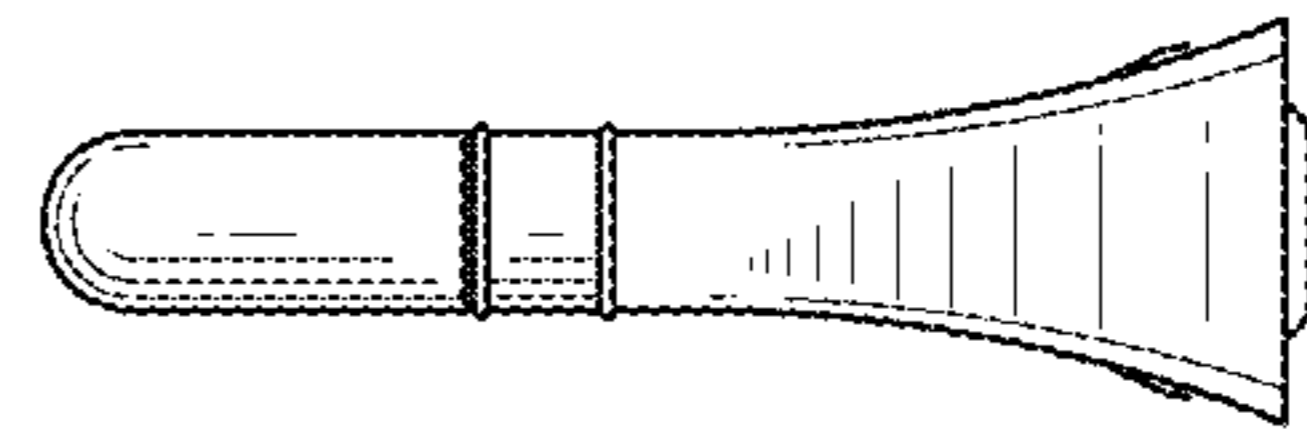


Fig. 7



Fig. 8

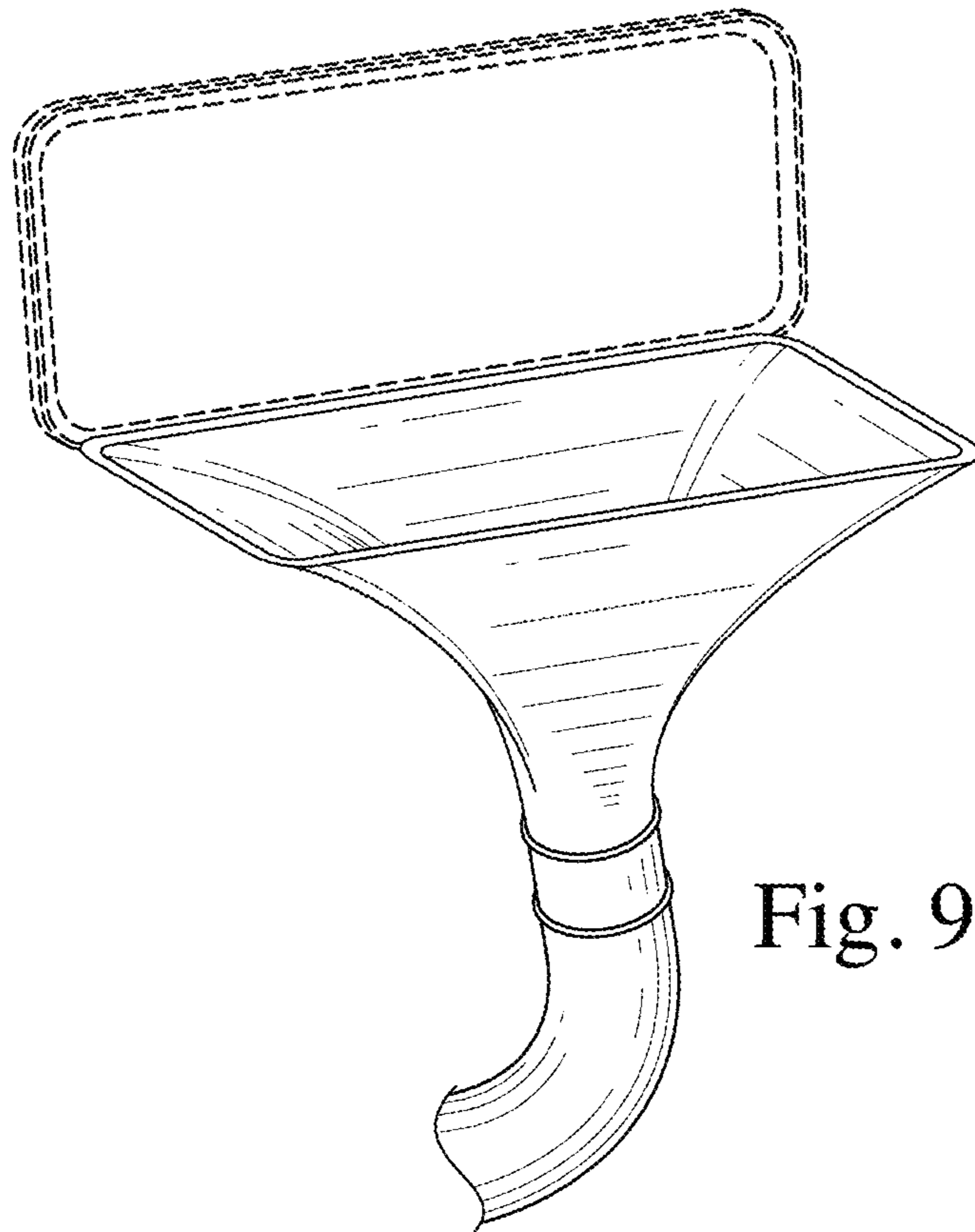


Fig. 9

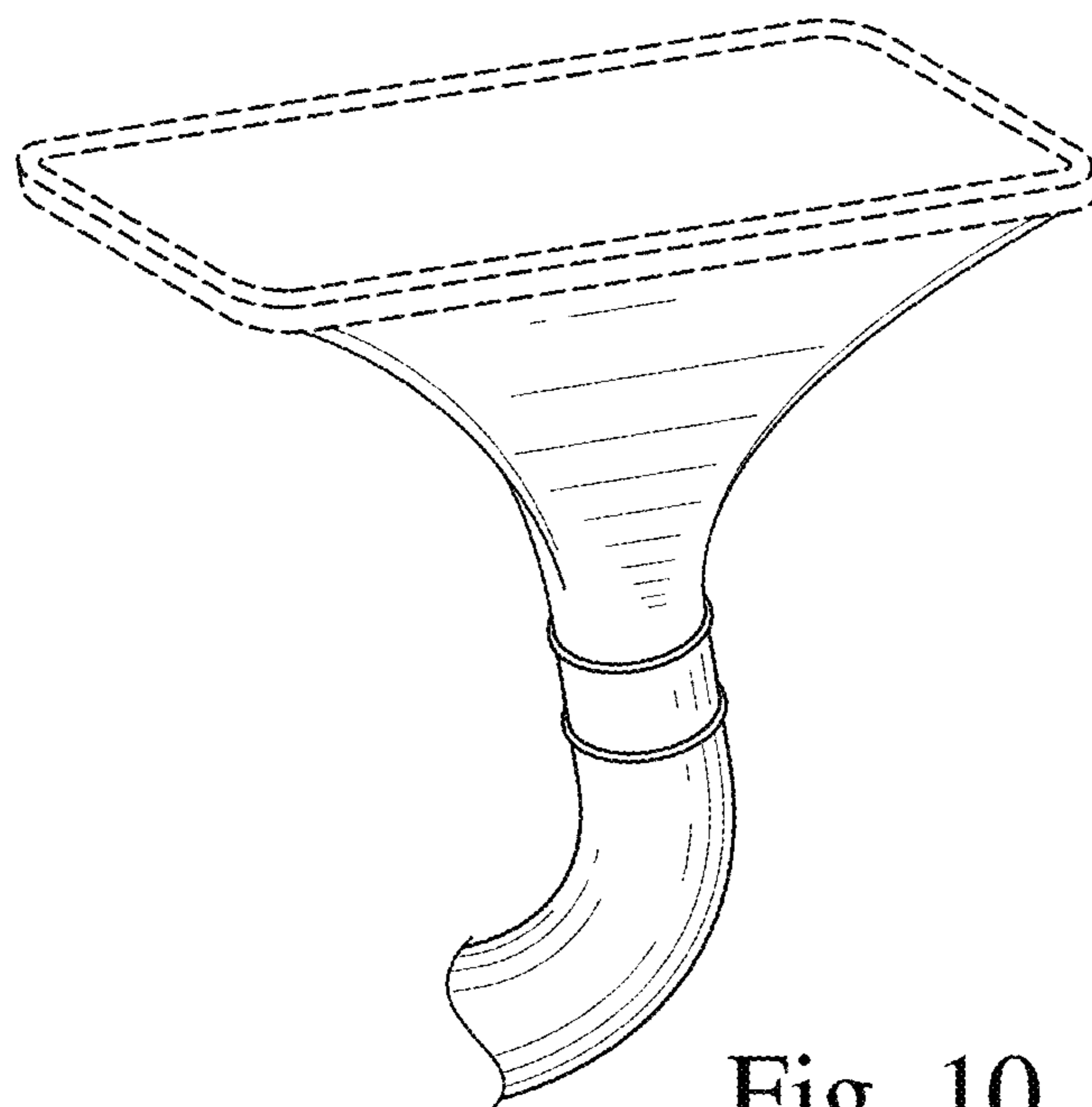


Fig. 10

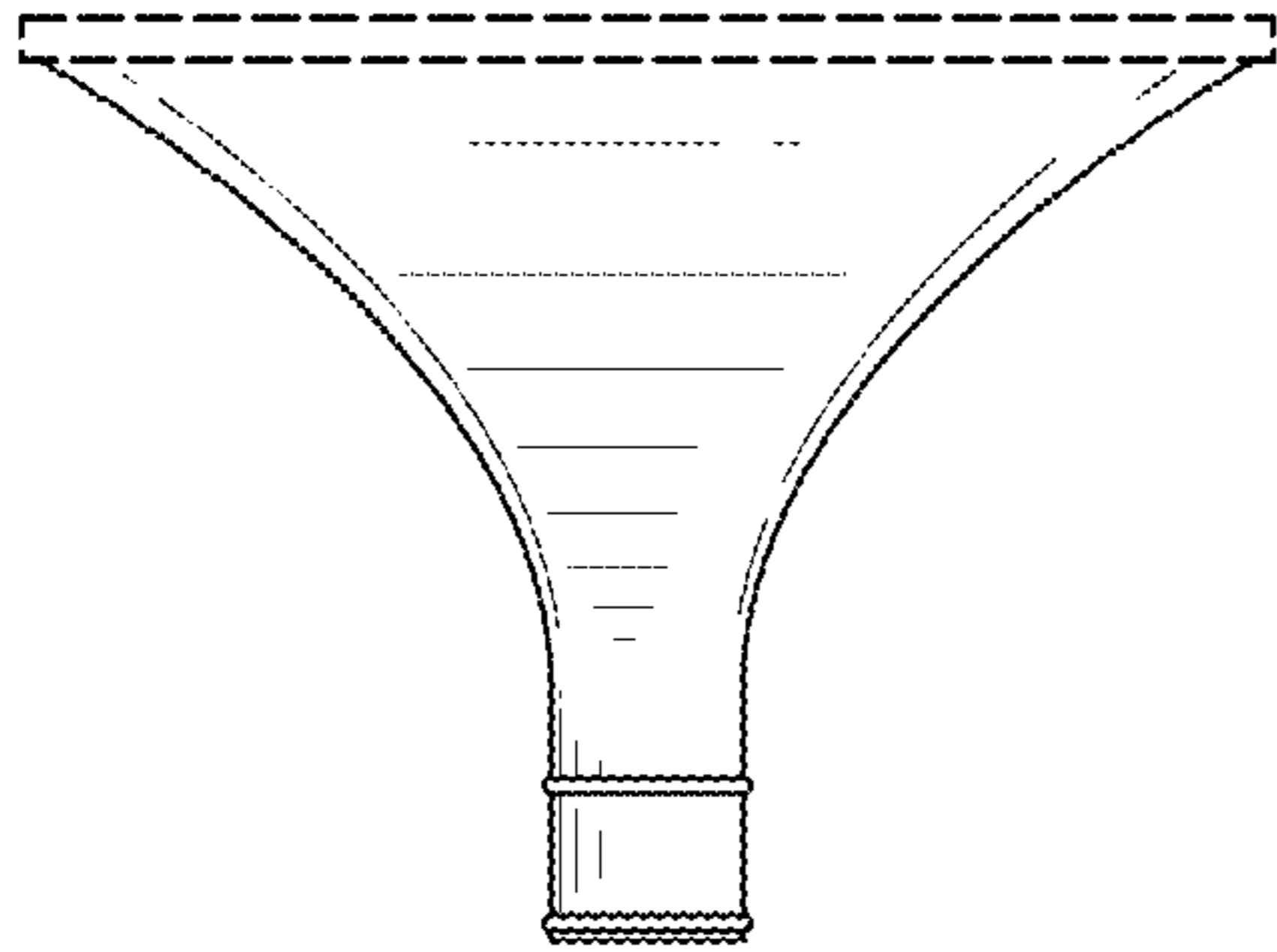


Fig. 11

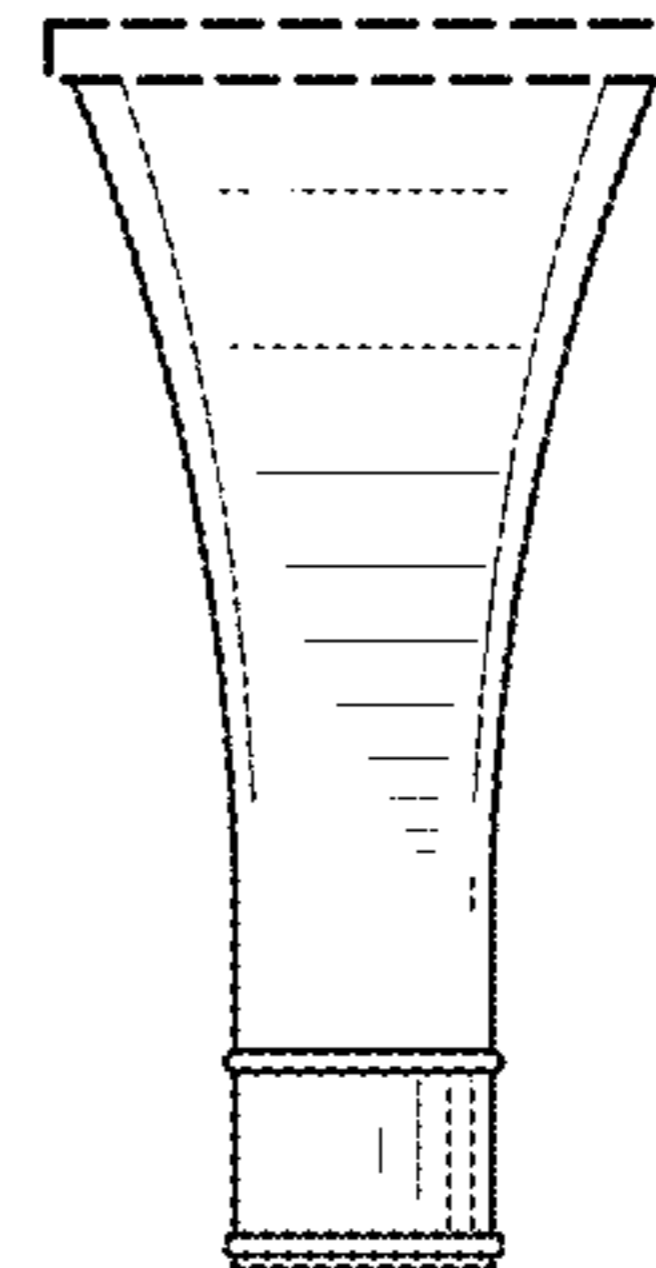


Fig. 12

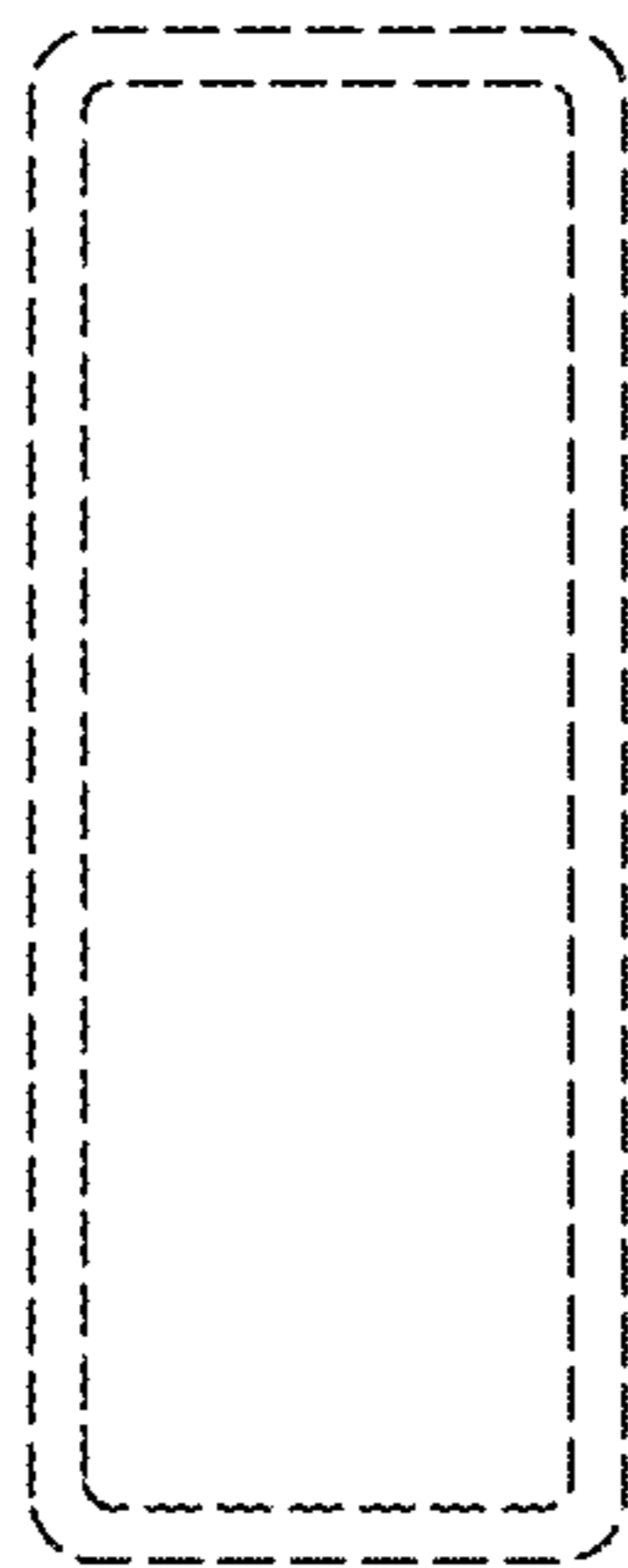


Fig. 13

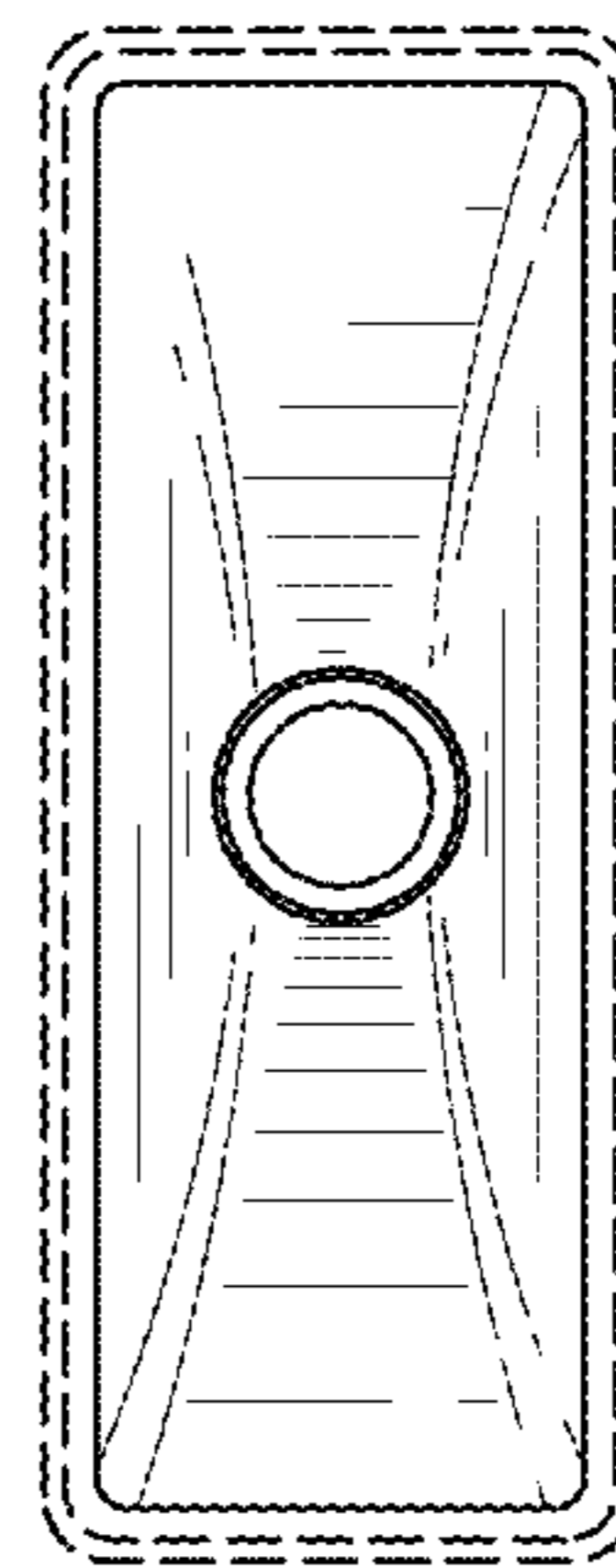


Fig. 14