

(56)

References Cited

U.S. PATENT DOCUMENTS

D360,615	S *	7/1995	Sakashita	D13/112
D365,328	S *	12/1995	Myers	D13/158
5,513,617	A	5/1996	Bass	
5,563,387	A *	10/1996	Myers	H01H 27/06 200/302.1
5,577,485	A	11/1996	Lindsley	
D438,825	S *	3/2001	Tsuboi	D12/111
6,626,145	B2	9/2003	Enoyoshi	
6,752,134	B1	6/2004	Wilkinson	
6,995,486	B2 *	2/2006	Bradfield	H01L 25/115 257/E25.026
D566,652	S *	4/2008	Stdko	D13/126
D567,177	S *	4/2008	Chan	D13/122
D613,206	S *	4/2010	Norman	D12/114
D647,478	S *	10/2011	Jiang	D13/122
D662,884	S *	7/2012	Mizuta	D13/126
D714,217	S *	9/2014	Tanaka	D13/122
D753,186	S *	4/2016	Dopke	D15/5
2003/0041630	A1 *	3/2003	Laitala	E05B 27/005 70/38 A
2013/0032128	A1 *	2/2013	Fralick	F02P 7/06 123/595

* cited by examiner

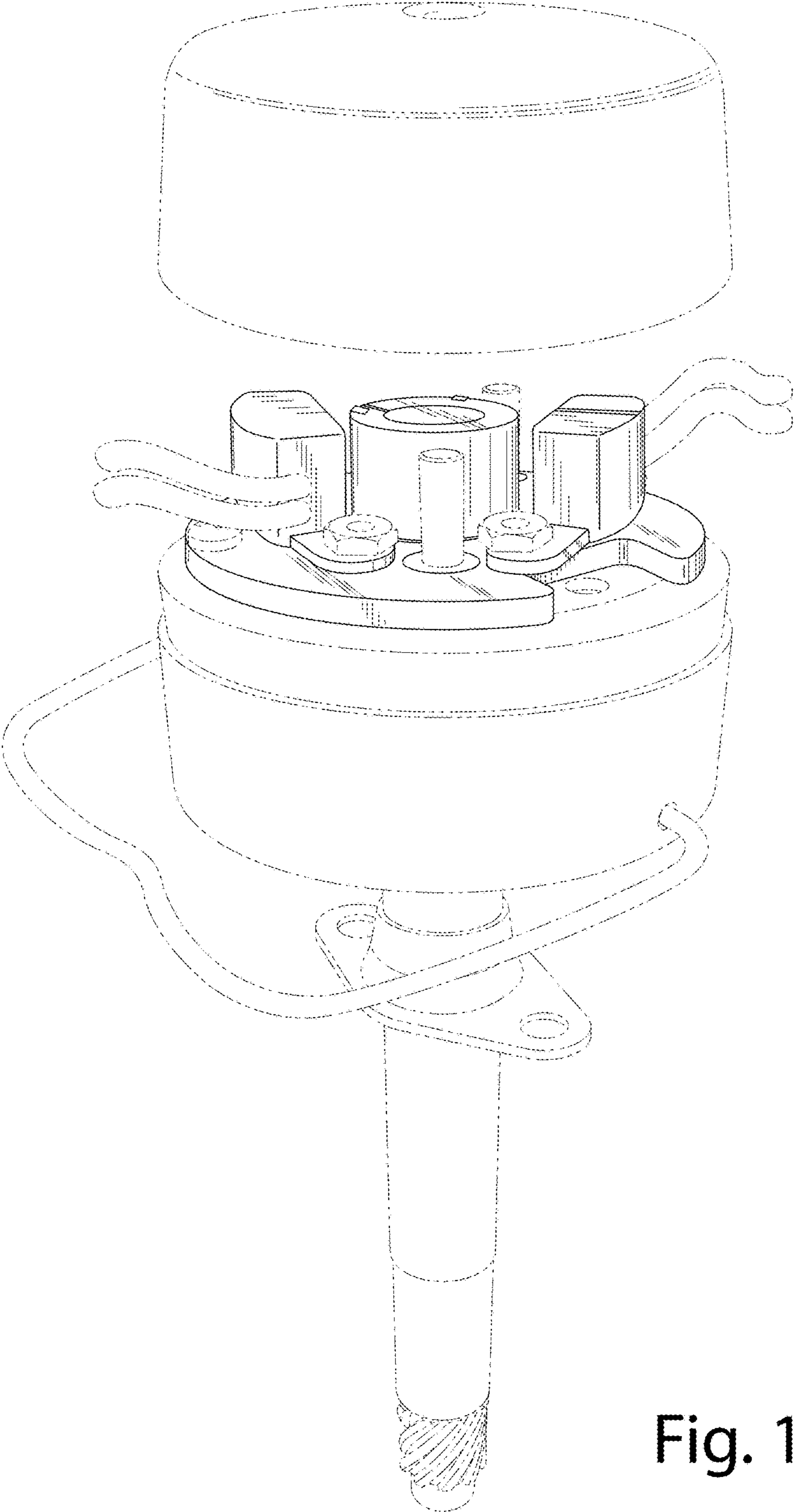


Fig. 1

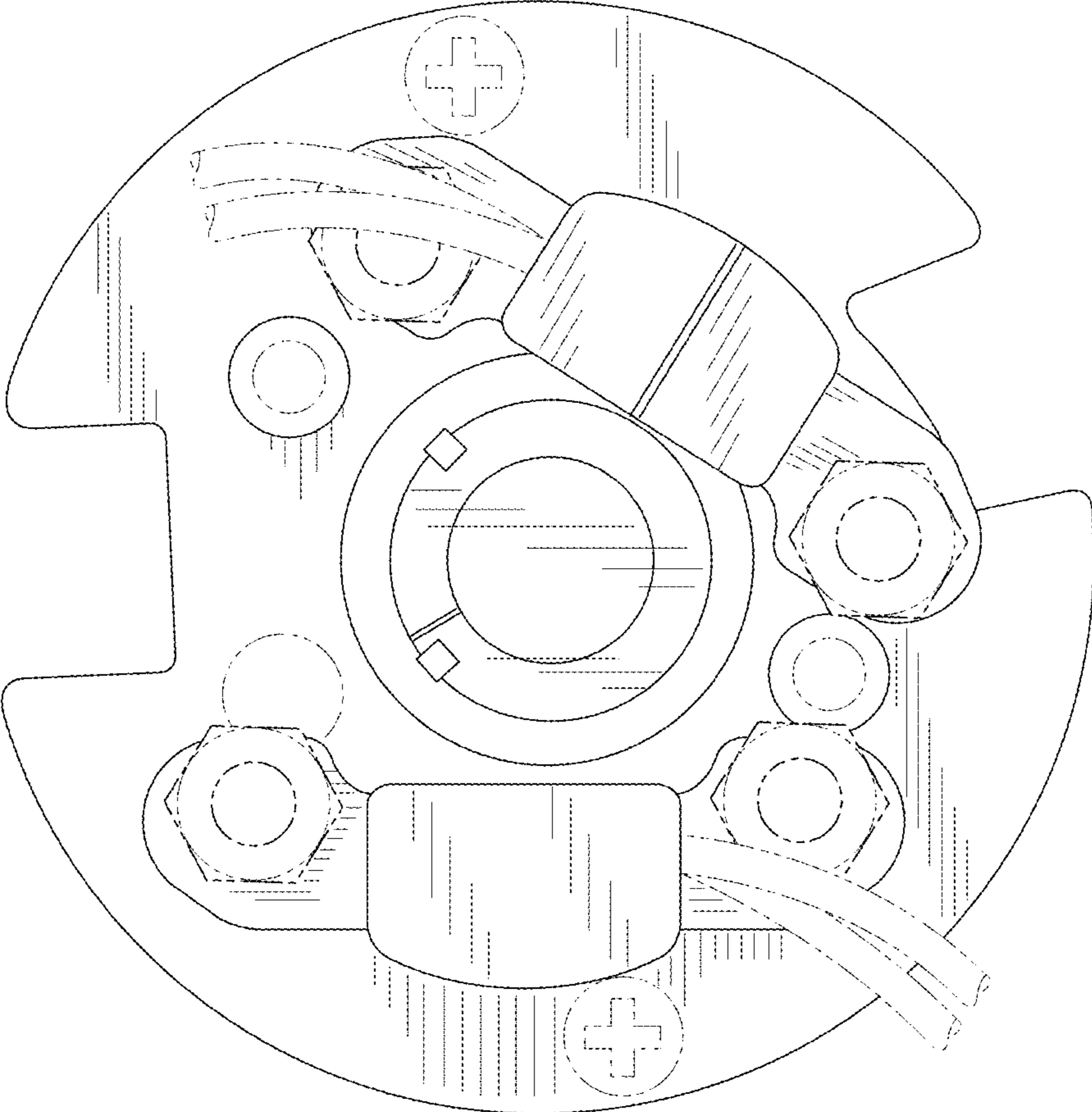


Fig. 2

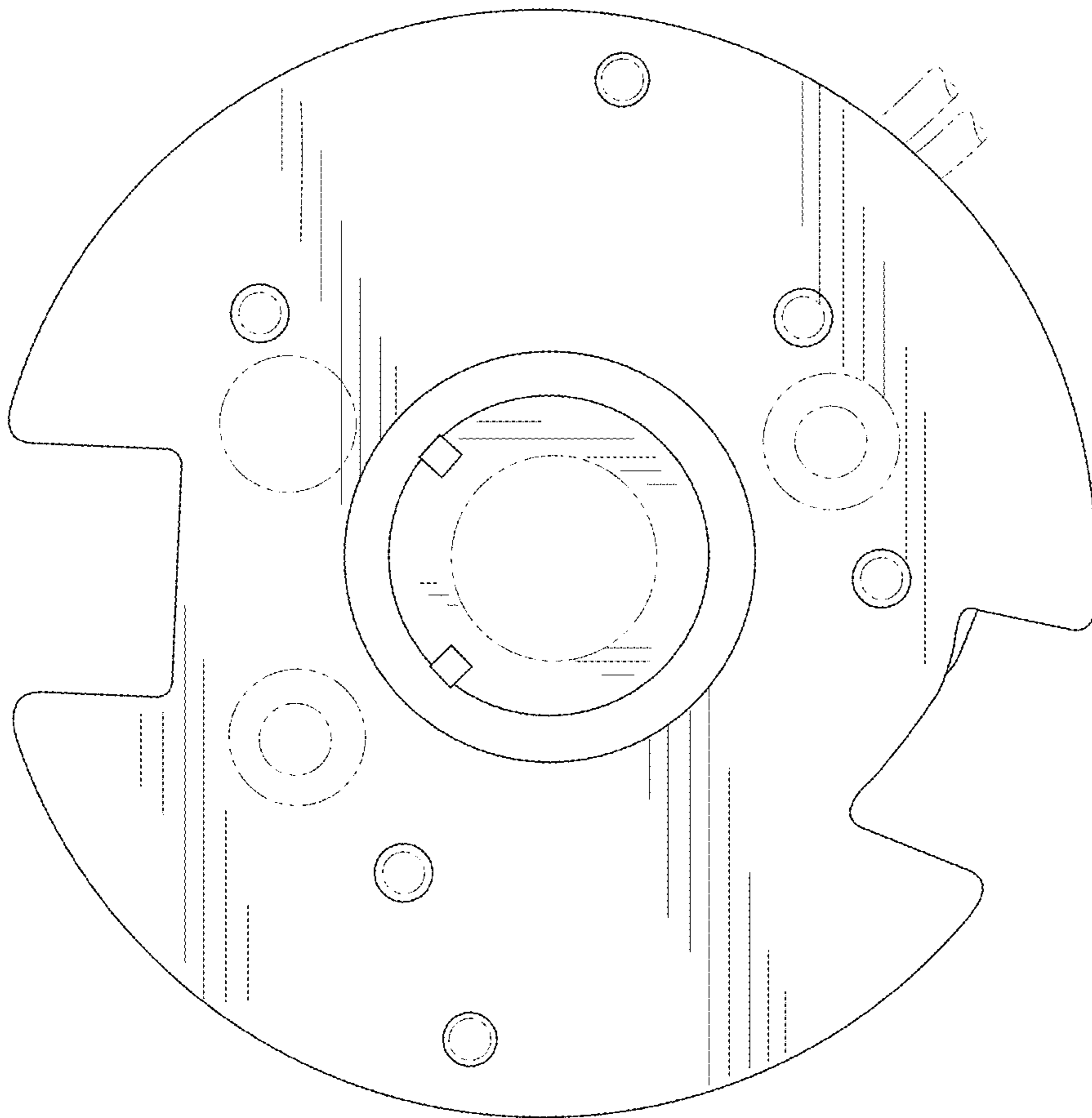


Fig. 3

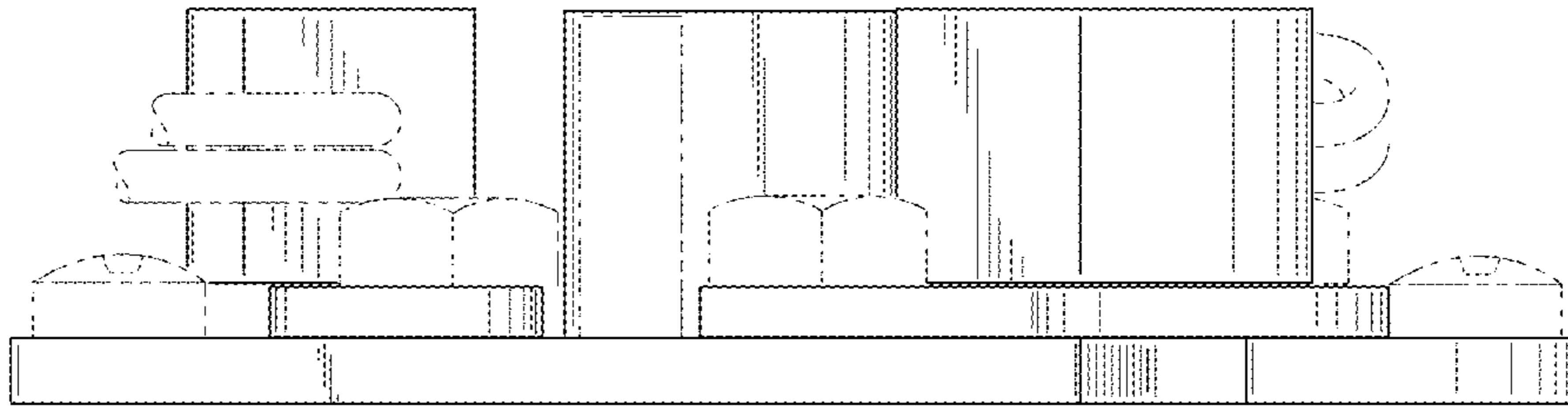


Fig. 4

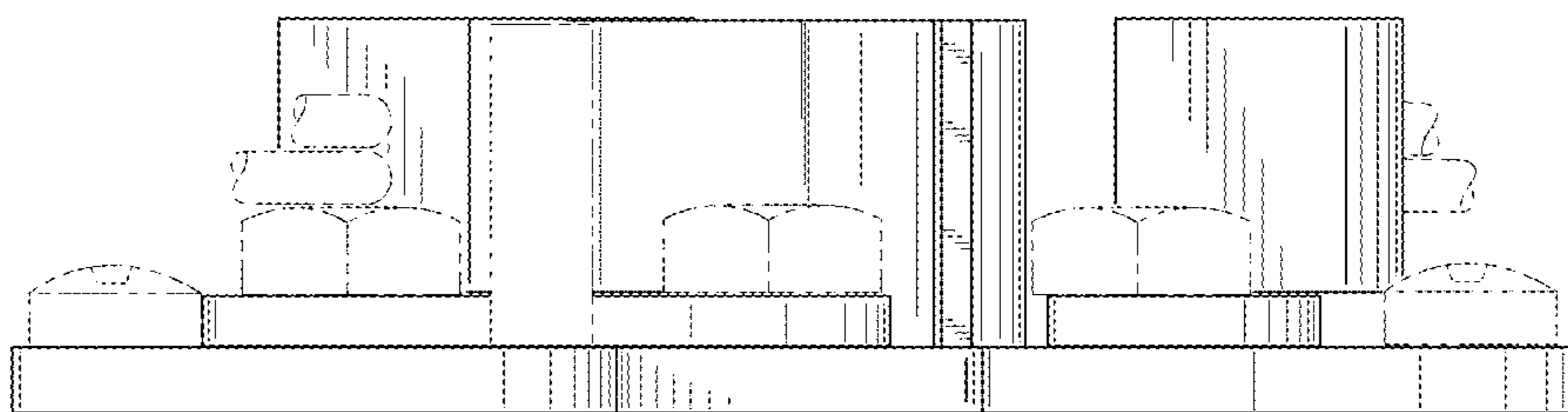


Fig. 5

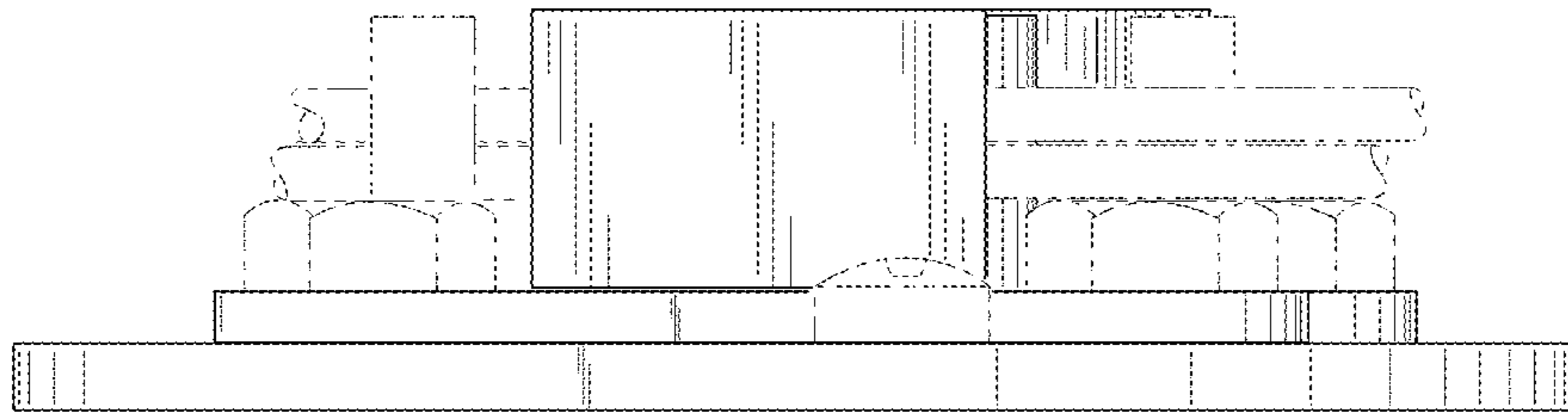


Fig. 6

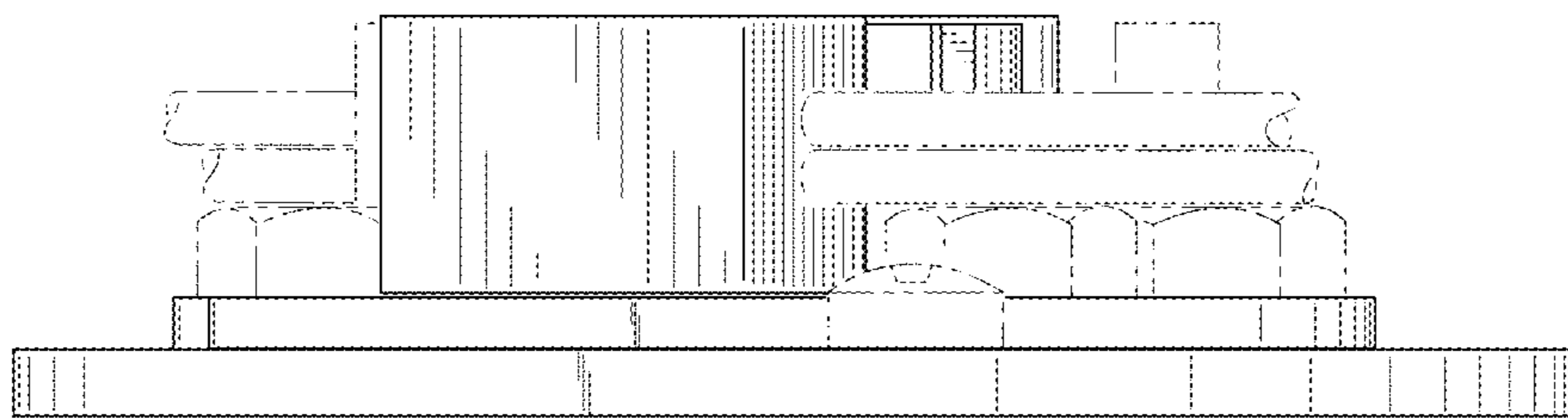


Fig. 7