



US00D781753S

(12) **United States Design Patent**  
**Wunderlin**

(10) **Patent No.:** **US D781,753 S**

(45) **Date of Patent:** **\*\* Mar. 21, 2017**

(54) **SEATED SCOOTER**

(71) Applicant: **Matthias Wunderlin**, Lausen (CH)

(72) Inventor: **Matthias Wunderlin**, Lausen (CH)

(\*\*) Term: **15 Years**

(21) Appl. No.: **29/542,136**

(22) Filed: **Oct. 12, 2015**

(51) **LOC (10) Cl.** ..... **12-11**

(52) **U.S. Cl.**  
USPC ..... **D12/111; D21/432**

(58) **Field of Classification Search**  
USPC ..... D12/111, 117; D21/412, 414, 419,  
D21/423-428, 431-435; 280/274-280,  
280/281.1, 283-288, 288.1-288.4  
CPC ..... B62K 3/00; B62K 3/02; B62K 3/06  
See application file for complete search history.

(56) **References Cited**

**U.S. PATENT DOCUMENTS**

D330,354 S *	10/1992	Ogden	.....	D12/111
D430,509 S *	9/2000	Stocksmeier	.....	D12/111
D466,839 S *	12/2002	Ou	.....	D12/110
D504,845 S *	5/2005	Coerschulte	.....	D12/111
D512,664 S *	12/2005	Schreier	.....	D12/111
D537,758 S *	3/2007	Grepper	.....	D12/111
D561,649 S *	2/2008	Latham	.....	D12/111
D567,149 S *	4/2008	Grepper	.....	D12/111
D597,147 S *	7/2009	Verlinden	.....	D21/424
D629,049 S *	12/2010	McFarland	.....	D12/111
D659,597 S *	5/2012	Chen	.....	D12/111
8,191,931 B1 *	6/2012	Mulder	.....	B62K 9/00 280/828
D668,586 S *	10/2012	Golias	.....	D12/111
8,286,974 B2 *	10/2012	Chen	.....	B62K 9/00 280/1.188
D671,173 S *	11/2012	Tompkin	.....	D12/111

8,414,007 B2 *	4/2013	Chen	.....	B62K 9/00 280/278
D695,847 S *	12/2013	Liu	.....	D12/111
D696,983 S *	1/2014	Bisges	.....	D12/111
D725,552 S *	3/2015	Lawson	.....	D12/111
D729,700 S *	5/2015	De Roeck	.....	D12/111
D735,618 S *	8/2015	Lawson	.....	D12/111
D735,620 S *	8/2015	Pape	.....	D12/111
D735,813 S *	8/2015	Delgatty	.....	D21/423
D739,308 S *	9/2015	Barnaby Latham	.....	D12/111
D750,711 S *	3/2016	Delgatty	.....	D21/423

**OTHER PUBLICATIONS**

“Wooden Balance Bikes.” Classic Cycle., Nov. 12, 2012 [online],  
[retrieved on Oct. 27, 2016]. Retrieved from the Internet <URL:  
<http://classiccycleus.com/home/early-rider/>>.\*

(Continued)

*Primary Examiner* — Darlington Ly  
(74) *Attorney, Agent, or Firm* — Mitchell Law PLLC;  
Matthew W. Mitchell

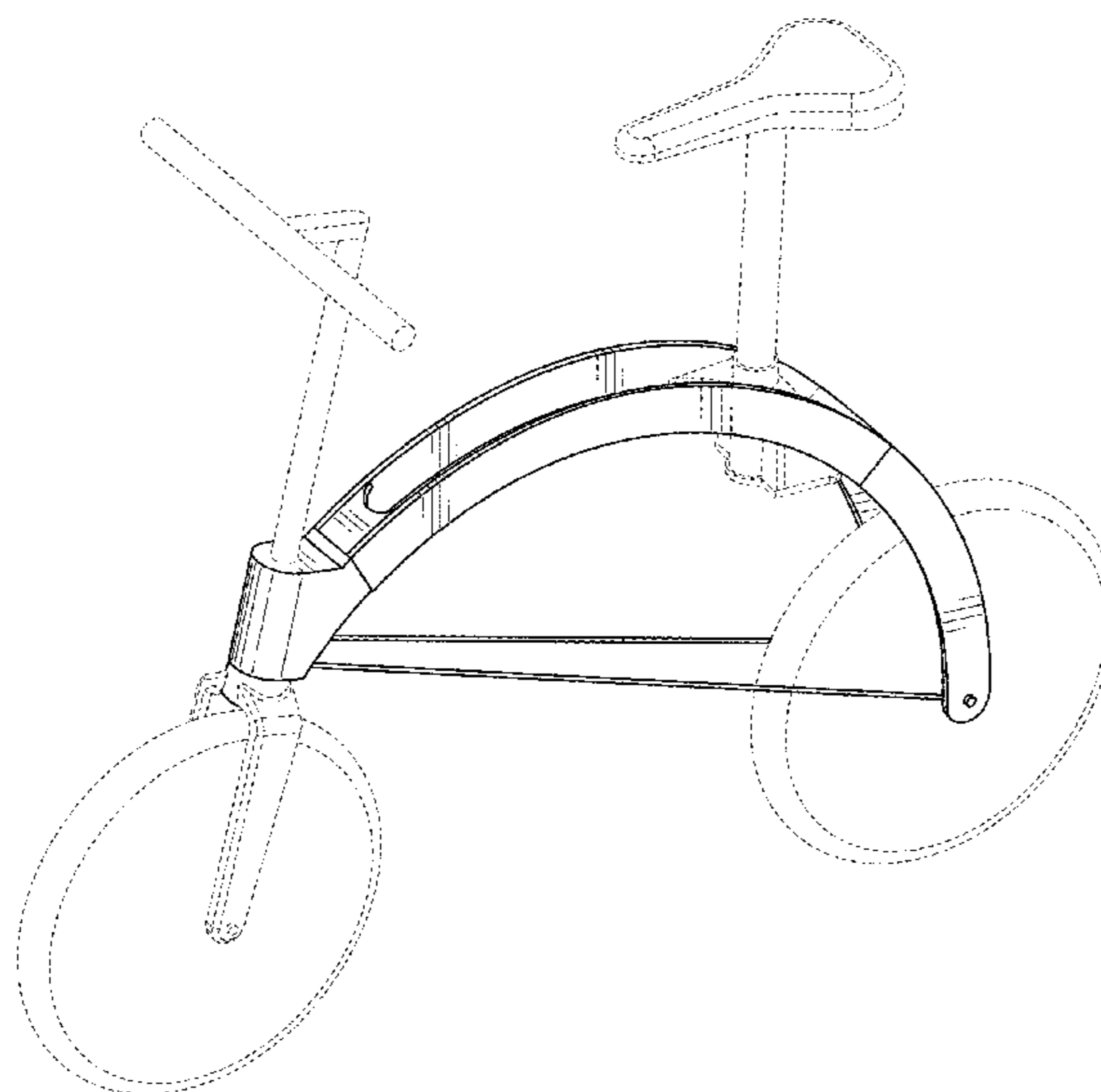
(57) **CLAIM**

The ornamental design for a seated scooter, as shown and described.

**DESCRIPTION**

FIG. 1 is a front perspective view of the seated scooter showing my new design;  
FIG. 2 is a right side elevation view thereof;  
FIG. 3 is a left side elevation view thereof;  
FIG. 4 is a front elevation view thereof;  
FIG. 5 is a rear elevation view thereof;  
FIG. 6 is a top plan view thereof; and,  
FIG. 7 is a bottom plan view thereof.  
The broken lines in the drawings illustrate portions of the seated scooter that forms no part of the claimed design.

**1 Claim, 6 Drawing Sheets**



(56)

**References Cited**

OTHER PUBLICATIONS

“Balance Bikes: How to Choose.” Two Wheeling Tots., May 12, 2012 [online], [retrieved on Oct. 27, 2016]. Retrieved from the Internet <URL: <http://www.twowheelingtots.com/10-distinguishing-features-of-balance-bikes/>>.\*

\* cited by examiner

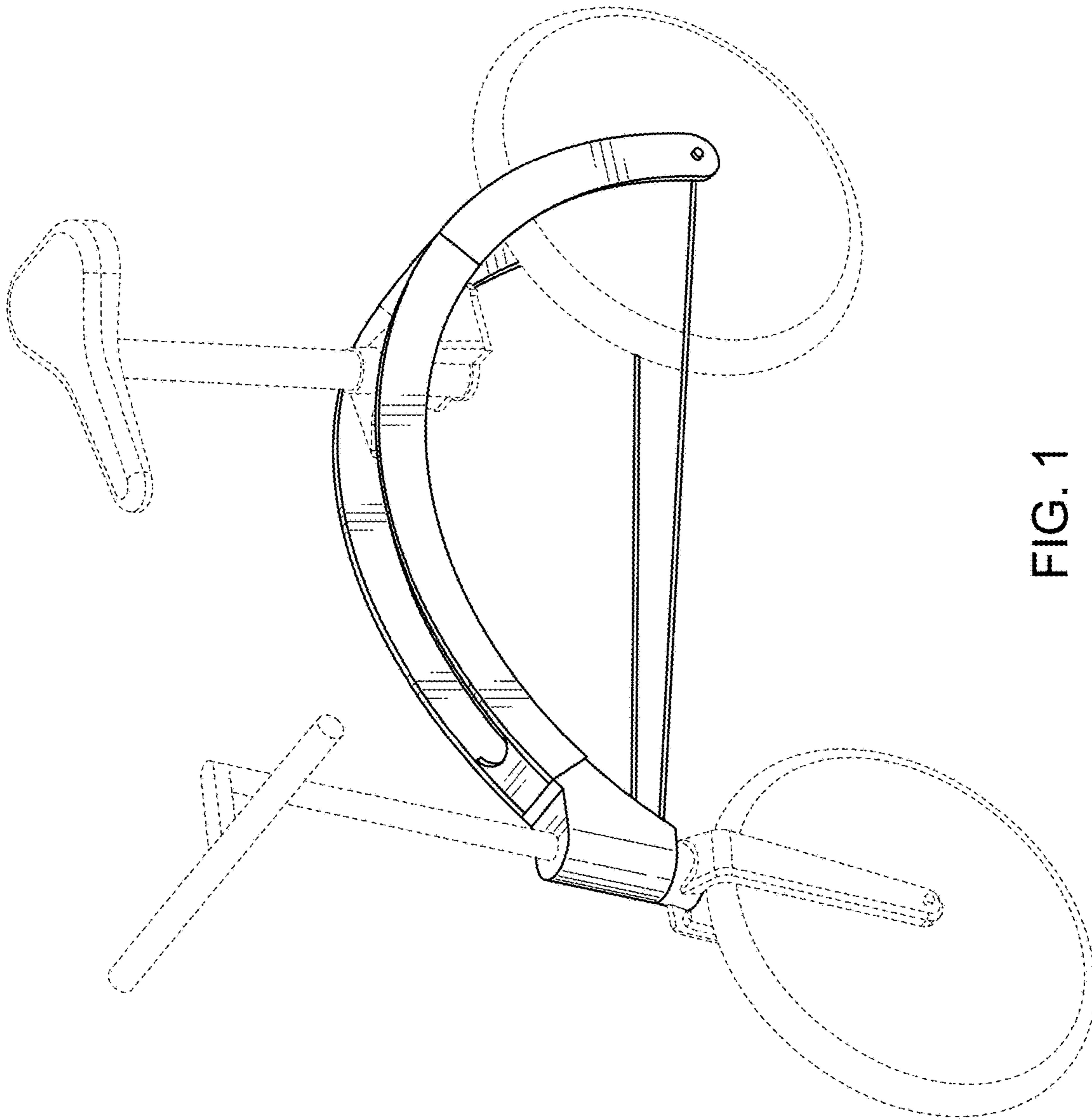


FIG. 1

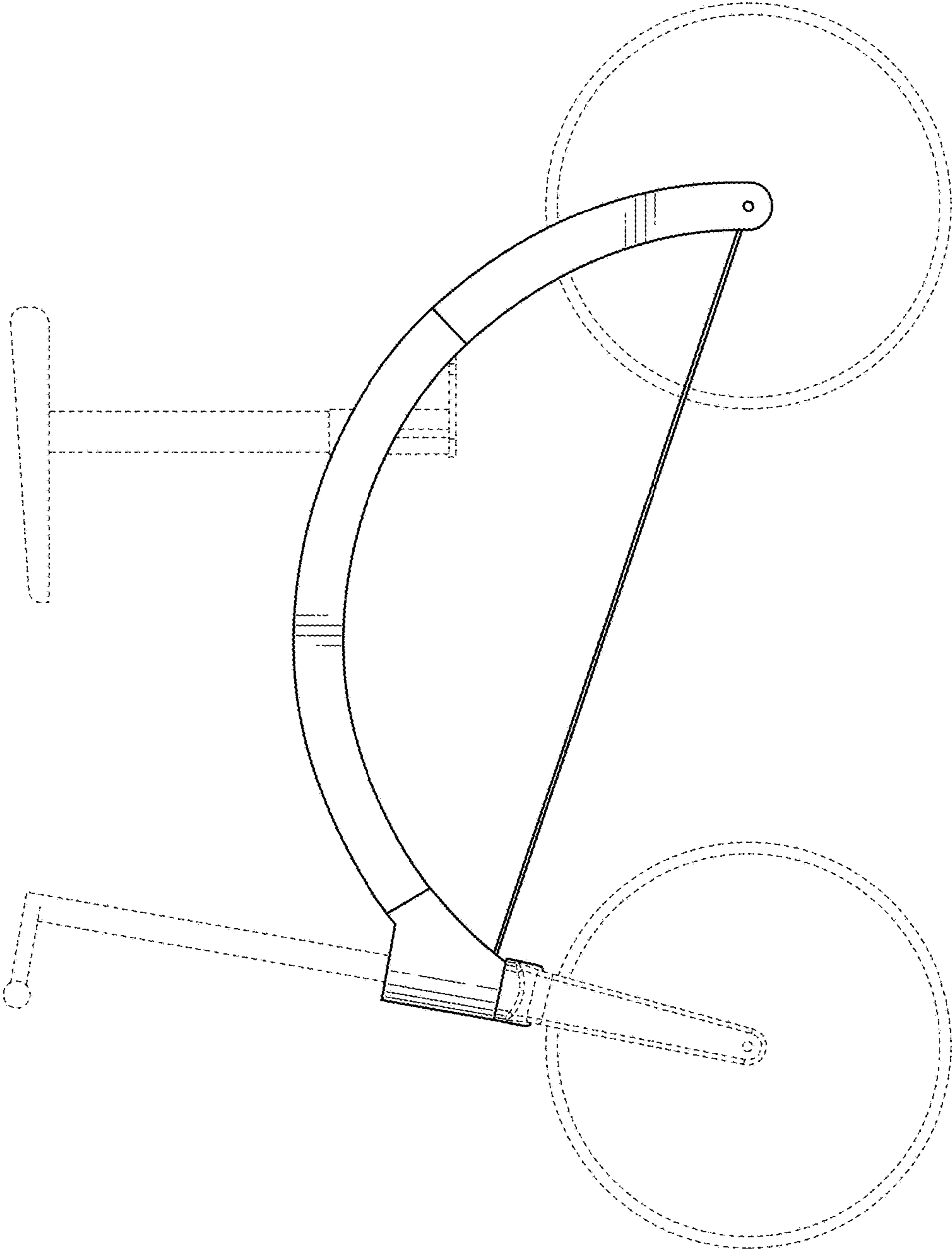


FIG. 2

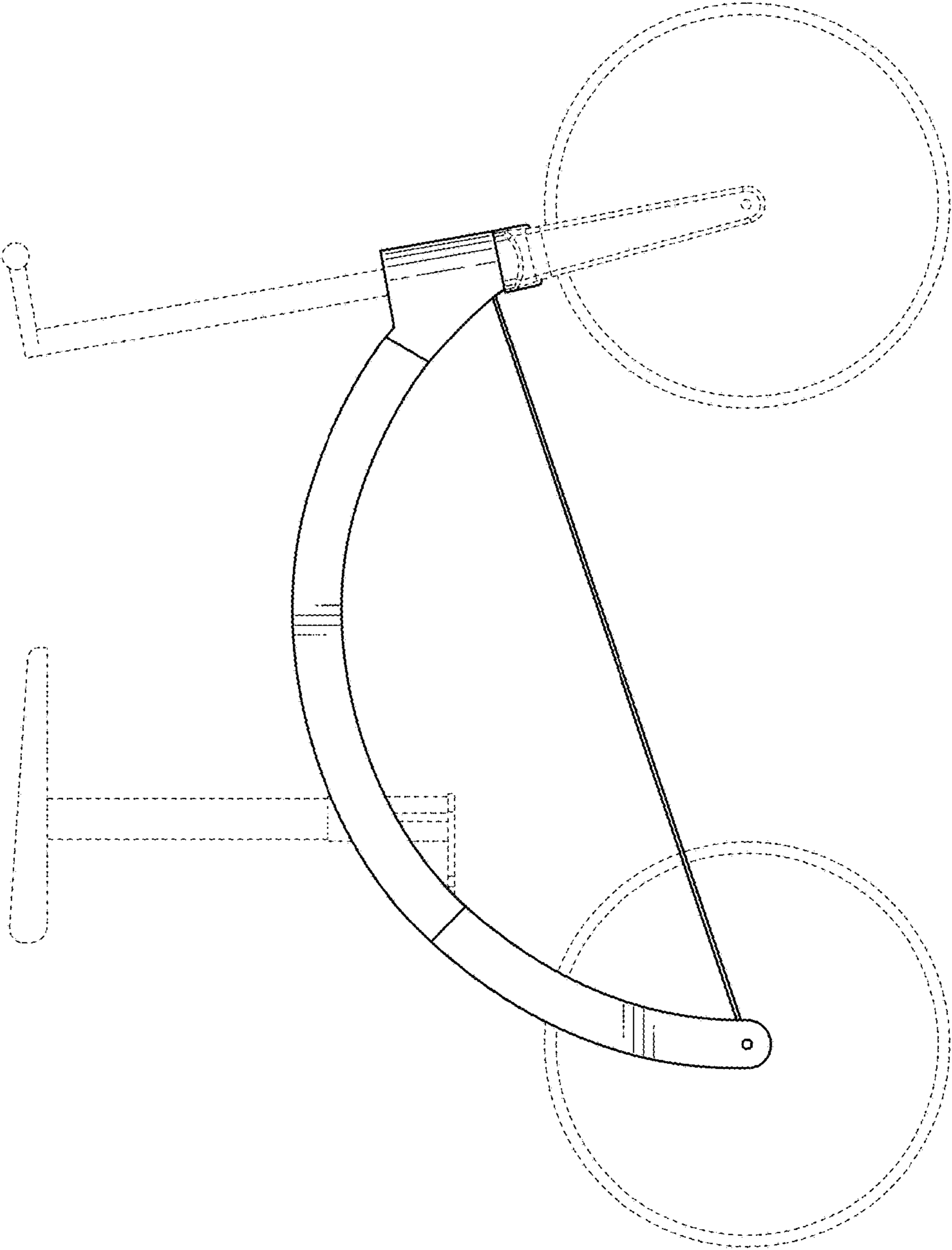


FIG. 3

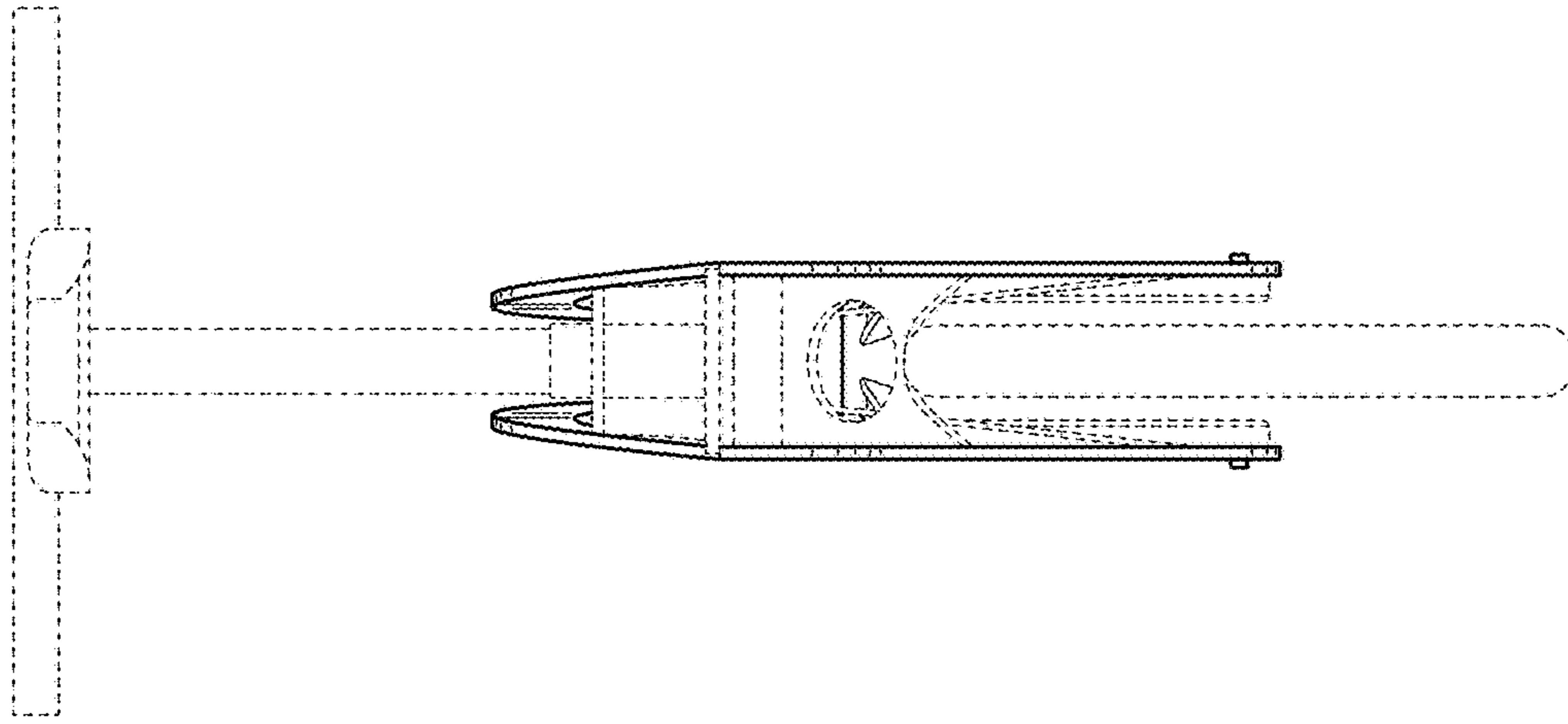


FIG. 5

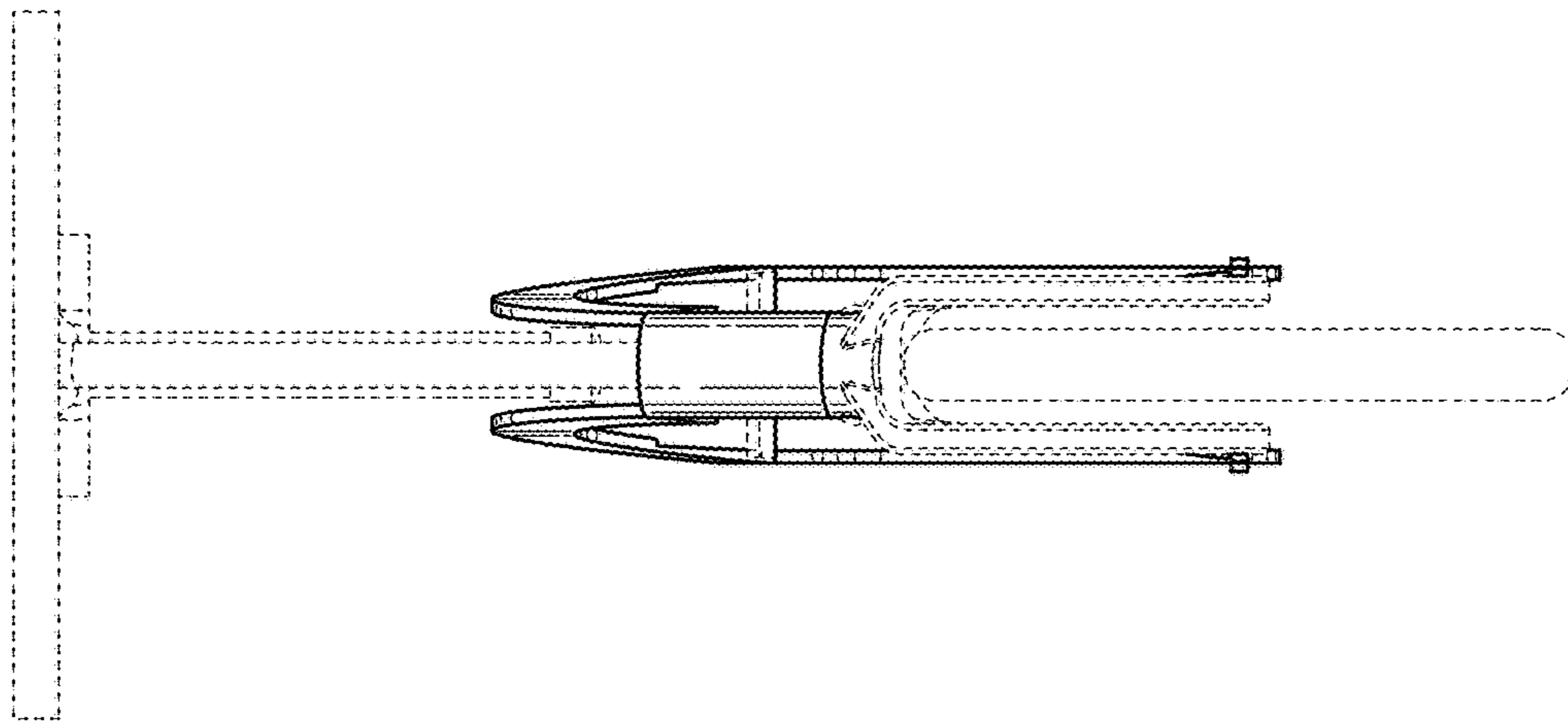


FIG. 4

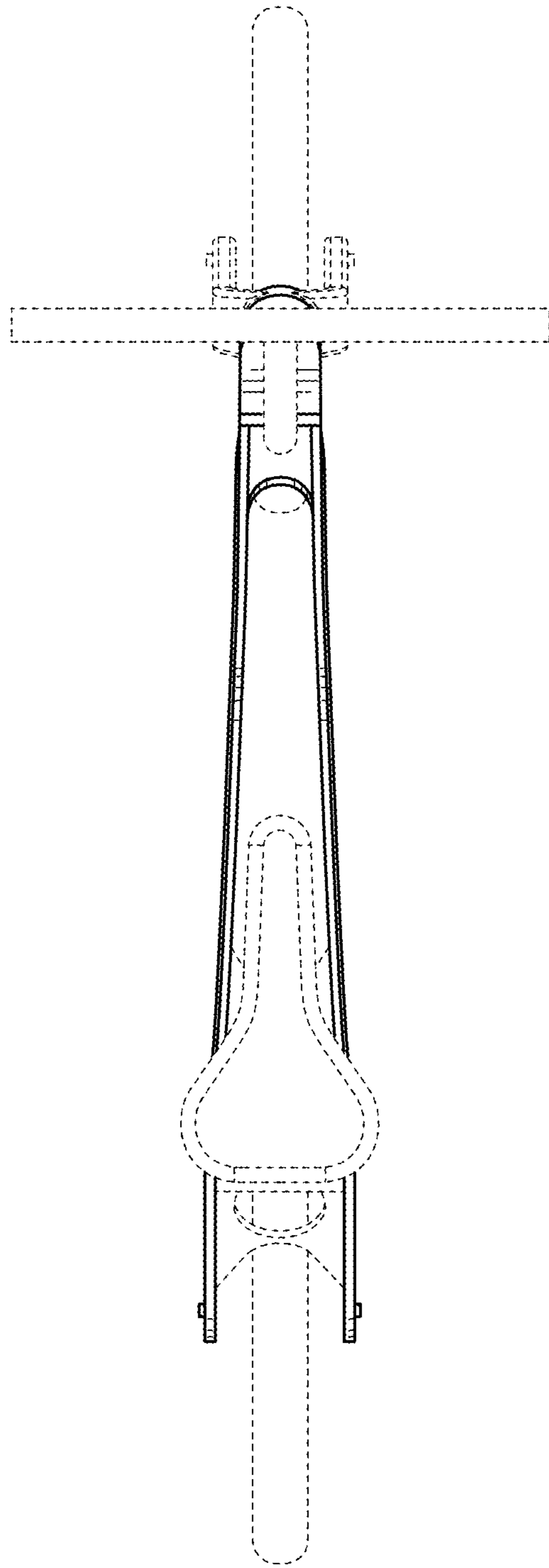


FIG. 6

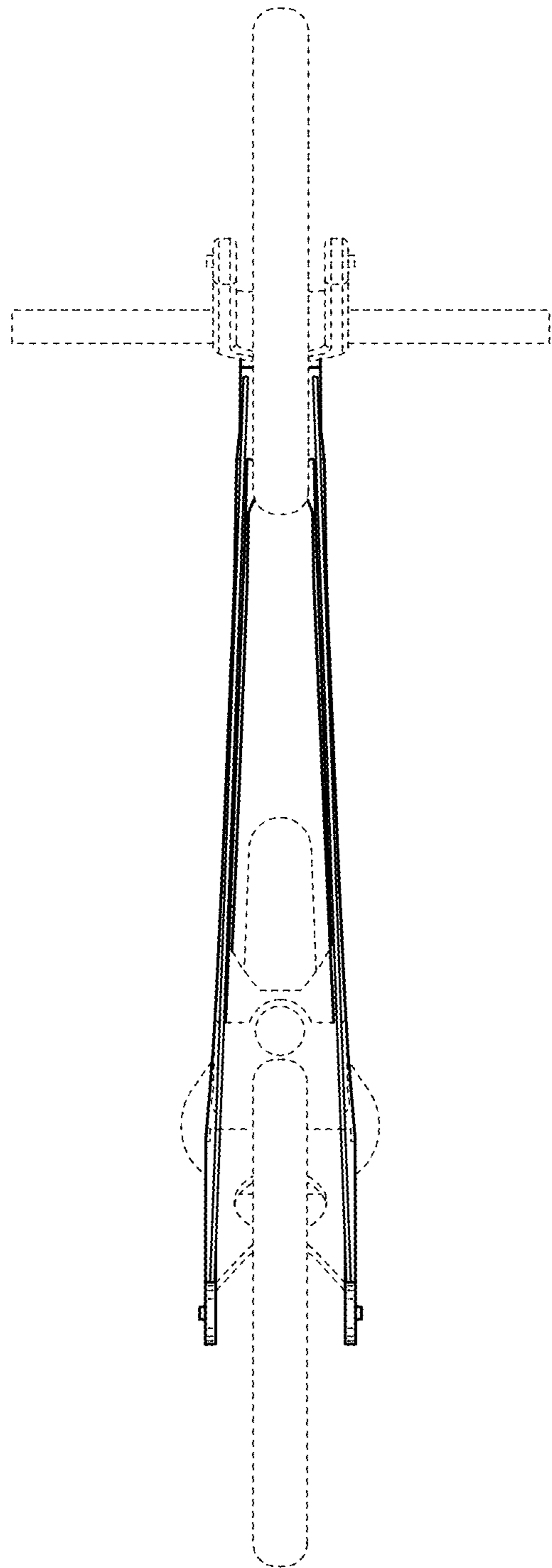


FIG. 7