



US00D781749S

(12) **United States Design Patent**
Perini

(10) **Patent No.:** **US D781,749 S**
(45) **Date of Patent:** **** Mar. 21, 2017**

(54) **MOTOR VEHICLE, TOY AND/OR OTHER REPLICAS THEREOF**

D753,548 S * 4/2016 Gilles D12/88
D755,674 S * 5/2016 Perini D12/88
D756,847 S * 5/2016 Nicoghosian D12/88
D774,416 S * 12/2016 Perini D12/88

(71) Applicant: **Automobili Lamborghini S.p.A.**,
Sant'Agata Bolognese (BO) (IT)

* cited by examiner

(72) Inventor: **Filippo Perini**, Bobbio (IT)

Primary Examiner — Melody N Brown

(73) Assignee: **AUTOMOBILI LAMBORGHINI S.P.A.**, Sant' Agata Bolognese (BO) (IT)

(74) *Attorney, Agent, or Firm* — Lucas & Mercanti, LLP;
Klaus P. Stoffel

(**) Term: **15 Years**

(21) Appl. No.: **29/561,195**

(22) Filed: **Apr. 14, 2016**

(57) **CLAIM**

The ornamental design for a motor vehicle, toy and/or other replicas thereof, as shown and described.

(30) **Foreign Application Priority Data**

Oct. 15, 2015 (EM) 002 824 474-0001

DESCRIPTION

(51) **LOC (10) Cl.** **12-08**

(52) **U.S. Cl.**
USPC **D12/88**; D12/92

(58) **Field of Classification Search**
USPC D12/86, 90-92, 88; D21/421, 433, 434;
296/181.1, 181.5
CPC B62D 35/00; B62D 25/00; B62D 25/06;
B62D 33/00
See application file for complete search history.

FIG. 1 is a front, right side perspective view of the motor vehicle, toy and/or other replicas thereof of the present invention;

FIG. 2 is a rear, left side perspective view thereof;

FIG. 3 is a front view thereof;

FIG. 4 is a rear view thereof;

FIG. 5 is a right side view thereof;

FIG. 6 is a left side view thereof;

FIG. 7 is a top view thereof; and,

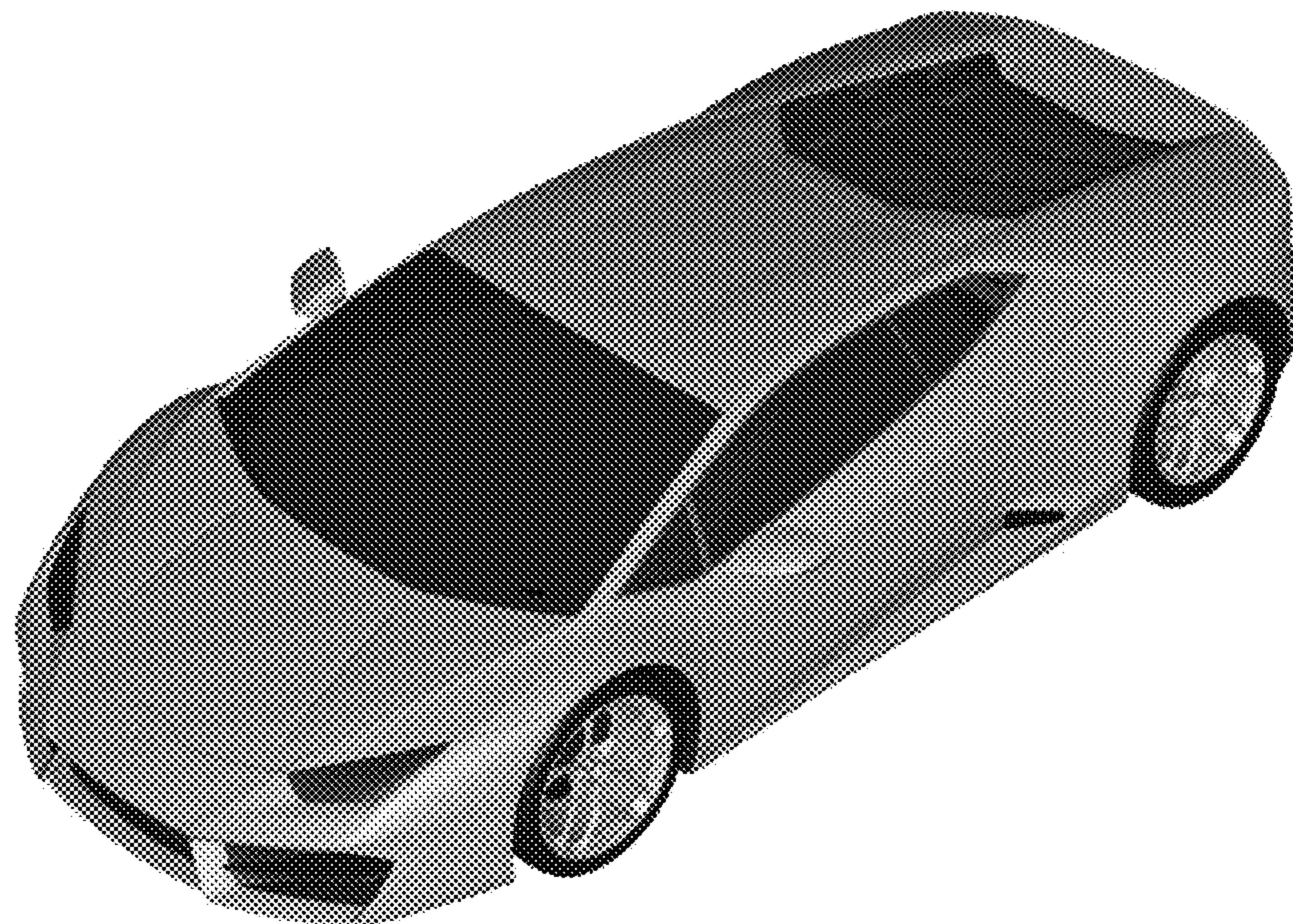
FIG. 8 is a bottom view thereof.

(56) **References Cited**

U.S. PATENT DOCUMENTS

D717,698 S * 11/2014 Beaven D12/92
D718,661 S * 12/2014 Tabata D12/91
D741,753 S * 10/2015 Perini D12/92

1 Claim, 5 Drawing Sheets



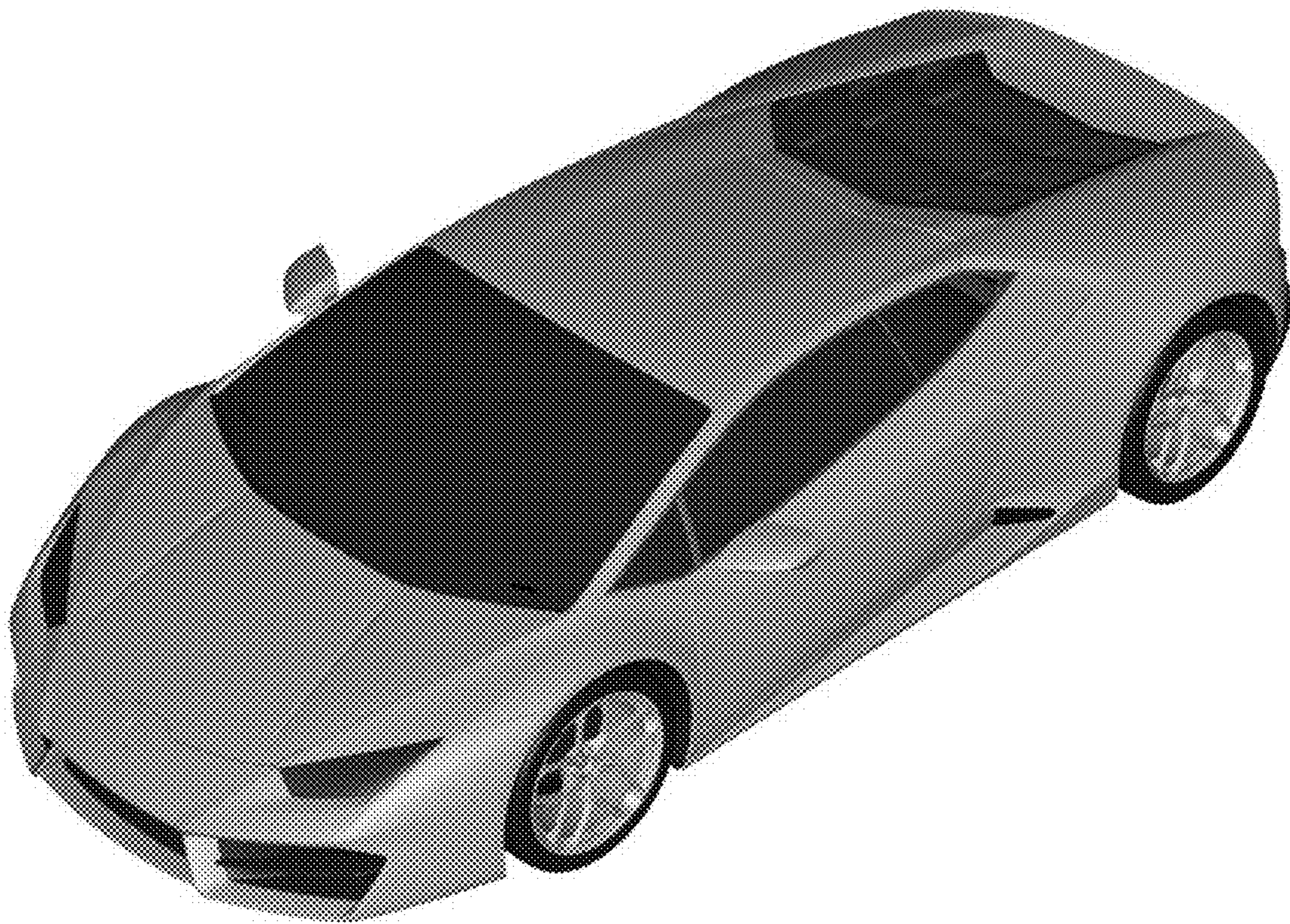


Fig. 1



Fig. 2

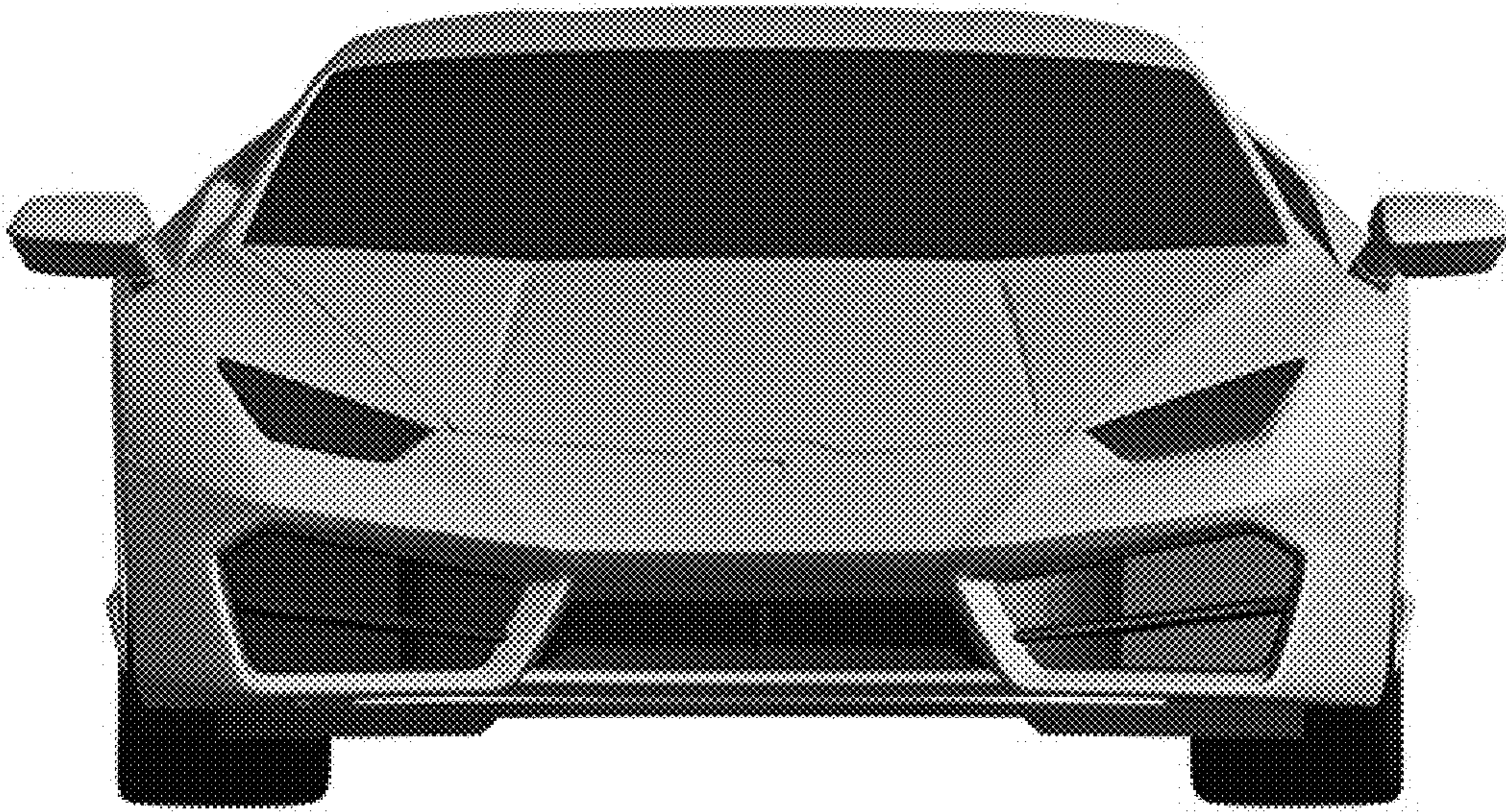


Fig. 3



Fig. 4

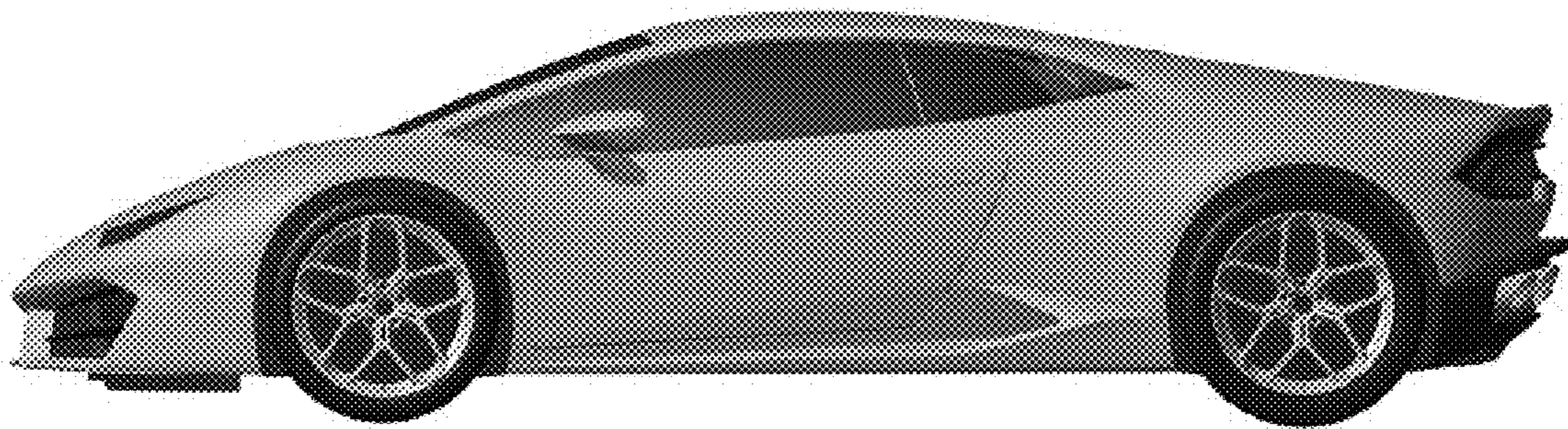


Fig. 5

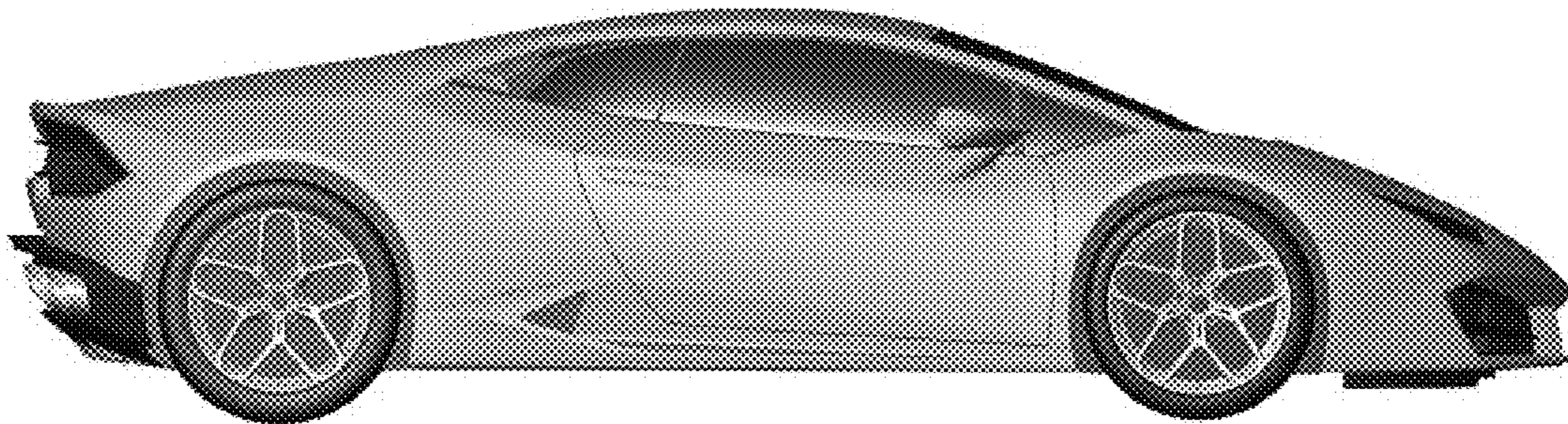


Fig. 6

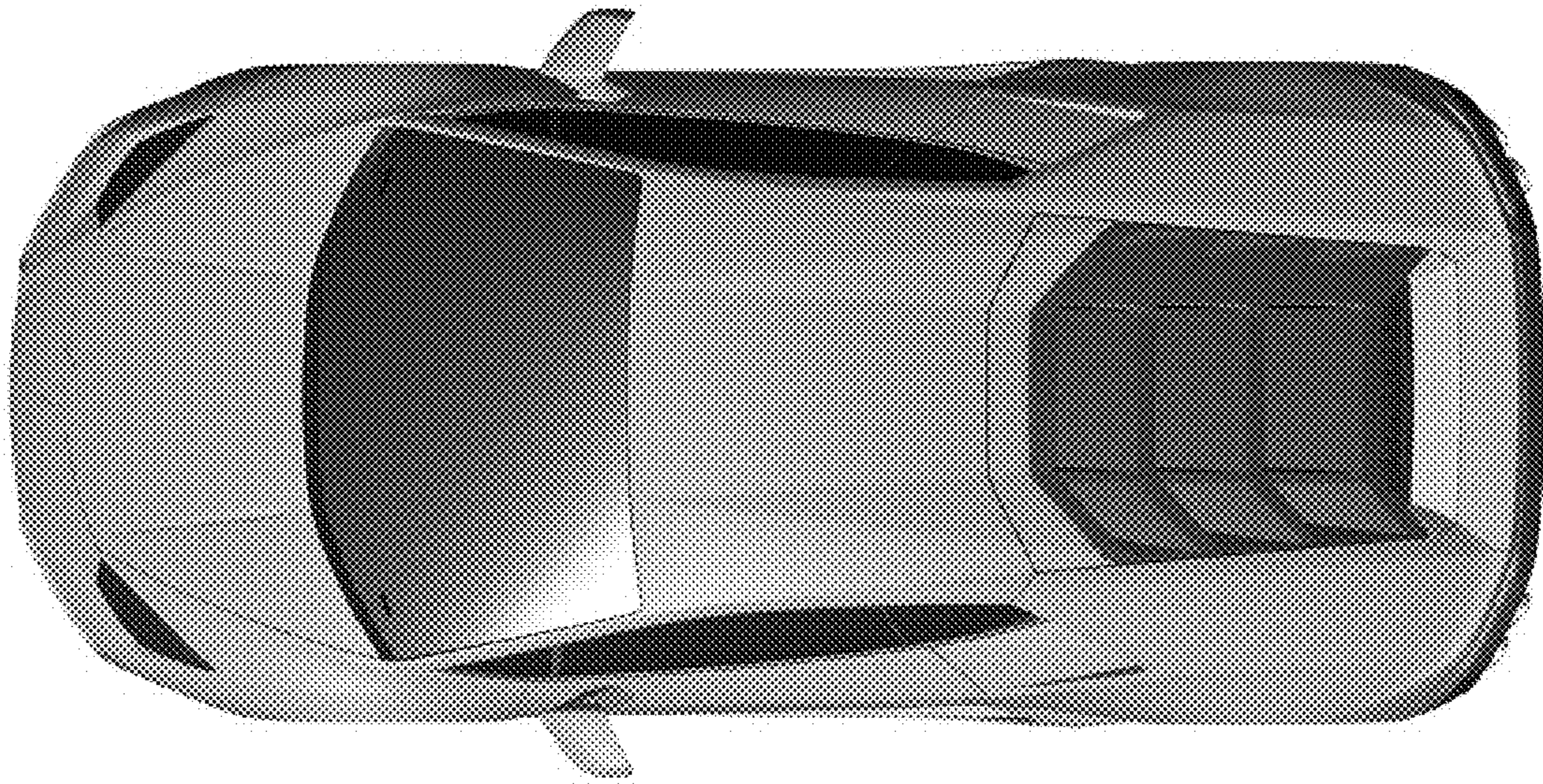


Fig. 7

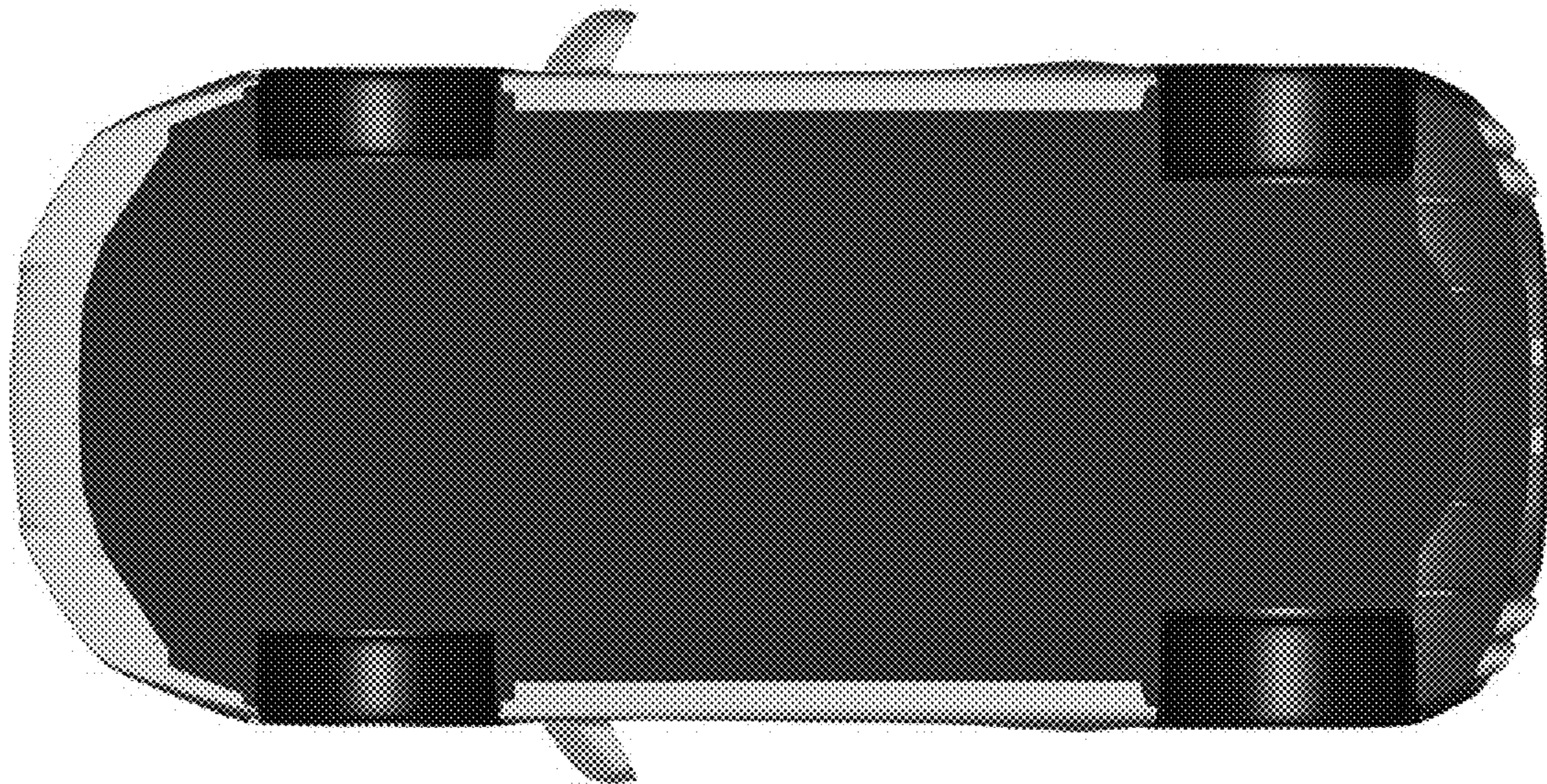


Fig. 8