



US00D781748S

(12) **United States Design Patent**  
**Manzoni**

(10) **Patent No.:** **US D781,748 S**  
(45) **Date of Patent:** **\*\* Mar. 21, 2017**

(54) **CAR, TOY REPLICA AND/OR OTHER REPLICAS**

D753,549 S \* 4/2016 Manzoni ..... D12/88  
D755,674 S \* 5/2016 Perini ..... D12/92  
D767,446 S \* 9/2016 Stephenson ..... D12/88

(71) Applicant: **Ferrari S.p.A.**, Modena (IT)

\* cited by examiner

(72) Inventor: **Flavio Manzoni**, Maranello (IT)

*Primary Examiner* — Melody N Brown

(73) Assignee: **Ferrari S.p.A.**, Modena (IT)

(74) *Attorney, Agent, or Firm* — Cowan, Liebowitz & Latman, P.C.

(\*\*) Term: **15 Years**

(21) Appl. No.: **29/543,116**

(22) Filed: **Oct. 21, 2015**

(57) **CLAIM**

(30) **Foreign Application Priority Data**

The ornamental design for a car, toy replica and/or other replica, as shown and described.

Apr. 24, 2015 (EM) ..... 002689133  
Apr. 24, 2015 (EM) ..... 002689141

(51) **LOC (10) Cl.** ..... **12-08**

(52) **U.S. Cl.**  
USPC ..... **D12/88**; D12/92

**DESCRIPTION**

(58) **Field of Classification Search**  
USPC ..... D12/86, 90-92, 88; D21/421, 433, 434;  
296/181.1, 181.5  
CPC ..... B62D 35/00; B62D 25/00; B62D 25/06;  
B62D 33/00  
See application file for complete search history.

FIG. 1 is a front perspective view of a car, toy replica and/or other replicas showing my new design;  
FIG. 2 is a rear perspective view thereof;  
FIG. 3 is a front view thereof;  
FIG. 4 is a rear view thereof;  
FIG. 5 is a side elevational view, the opposite side is a mirror image thereof; and,  
FIG. 6 is a top plan view thereof.

(56) **References Cited**

**U.S. PATENT DOCUMENTS**

D727,212 S \* 4/2015 Menegon ..... D12/92  
D741,753 S \* 10/2015 Perini ..... D12/92  
D745,439 S \* 12/2015 Manzoni ..... D12/92  
D753,548 S \* 4/2016 Gilles ..... D12/92

**1 Claim, 6 Drawing Sheets**

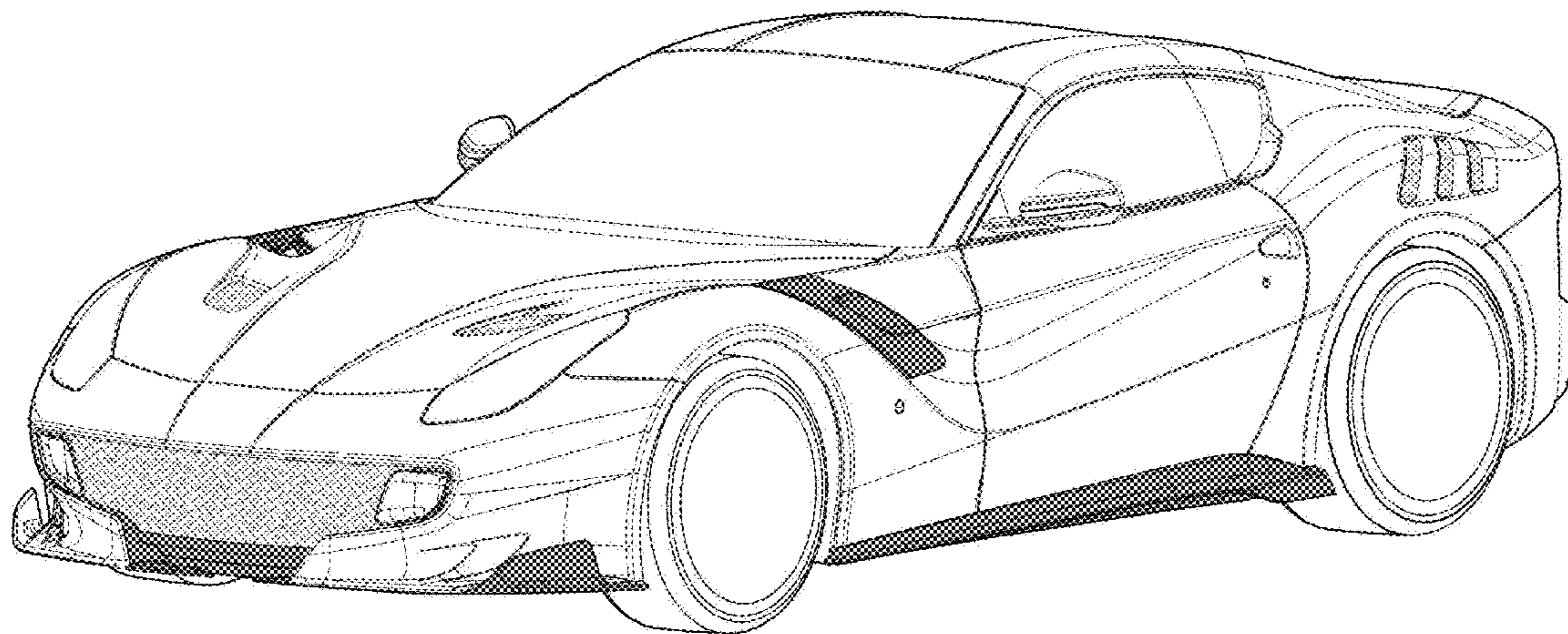
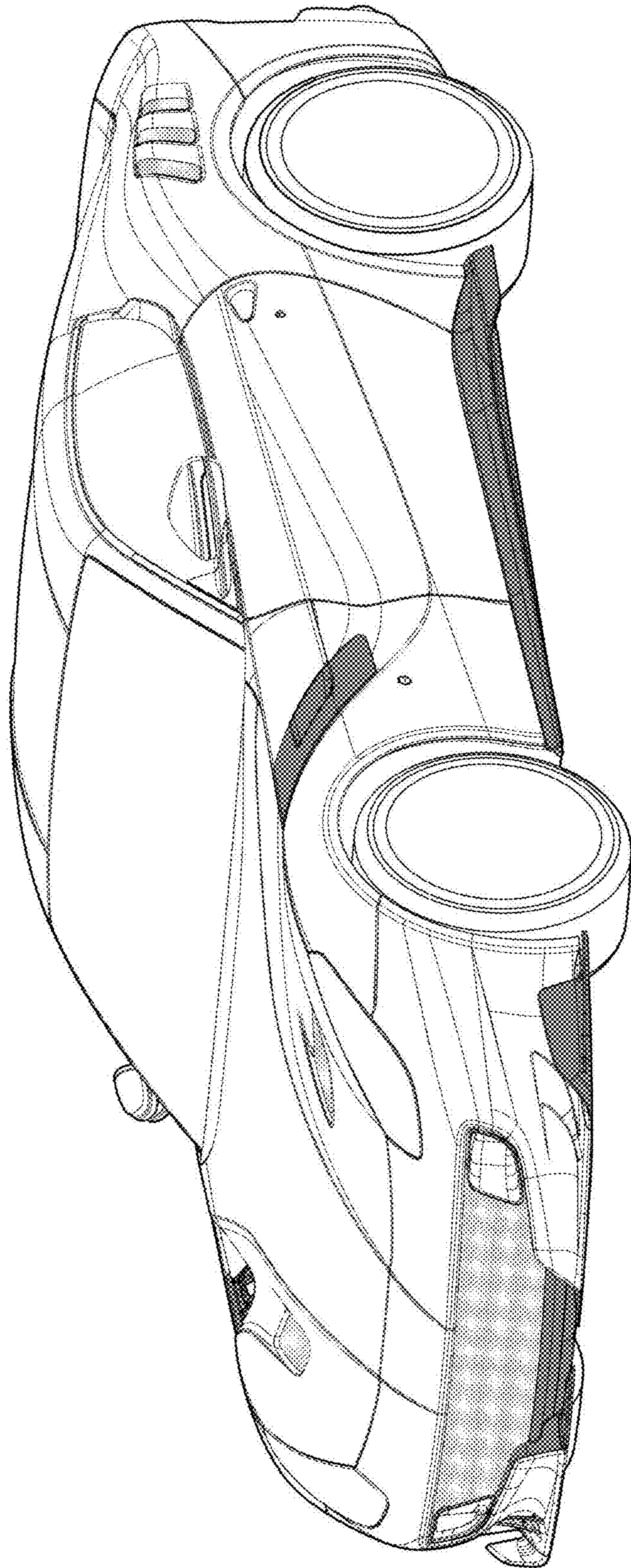


FIG. 1



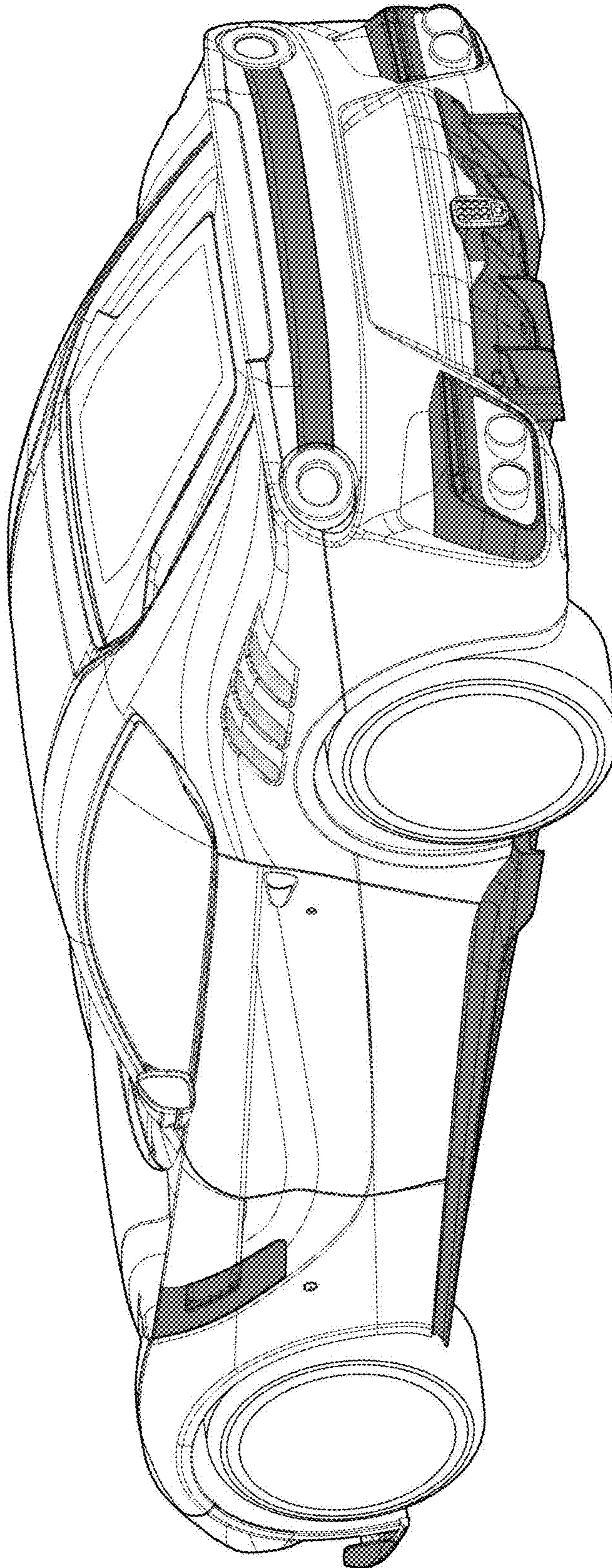


FIG. 2

FIG. 3

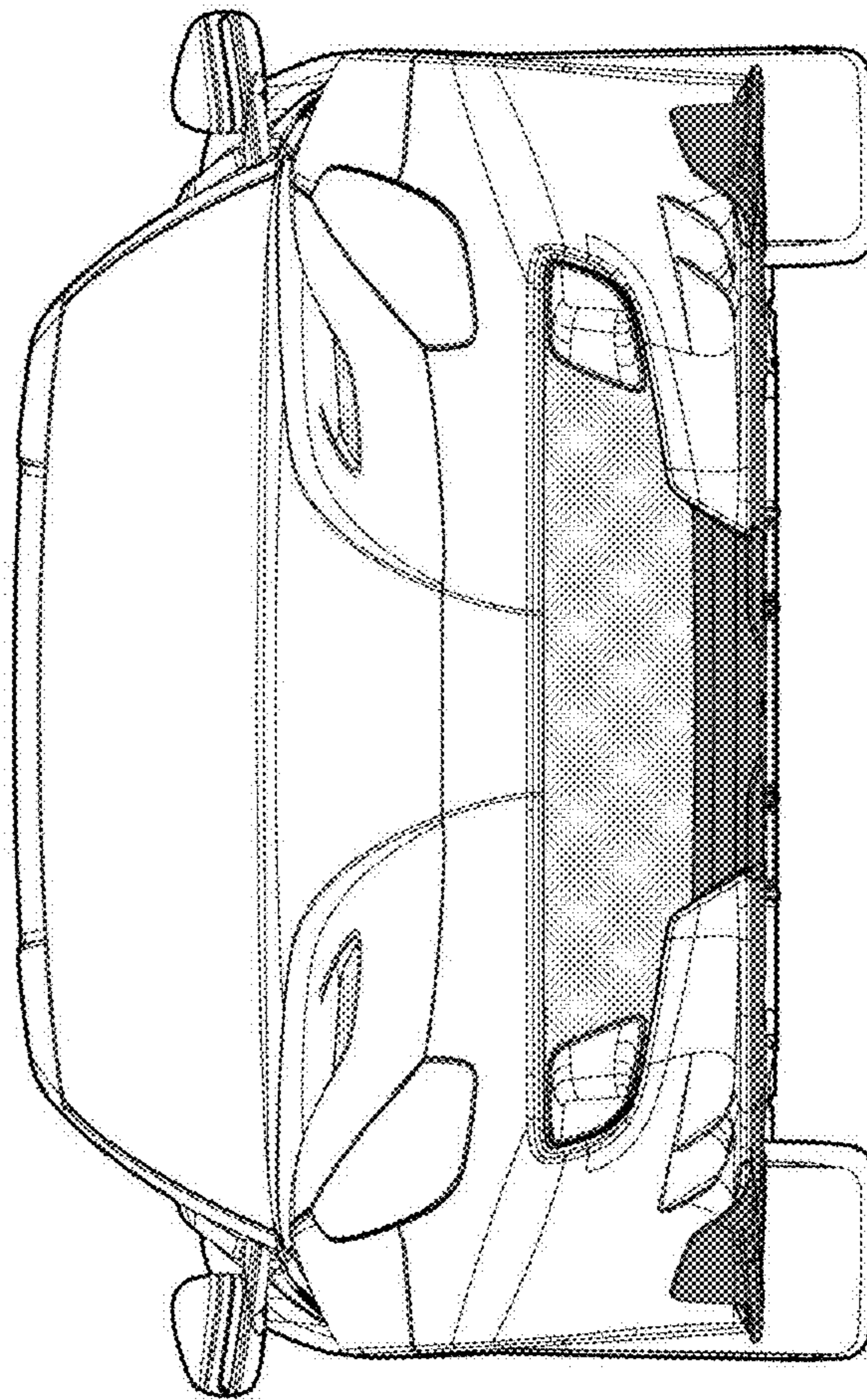


FIG. 4

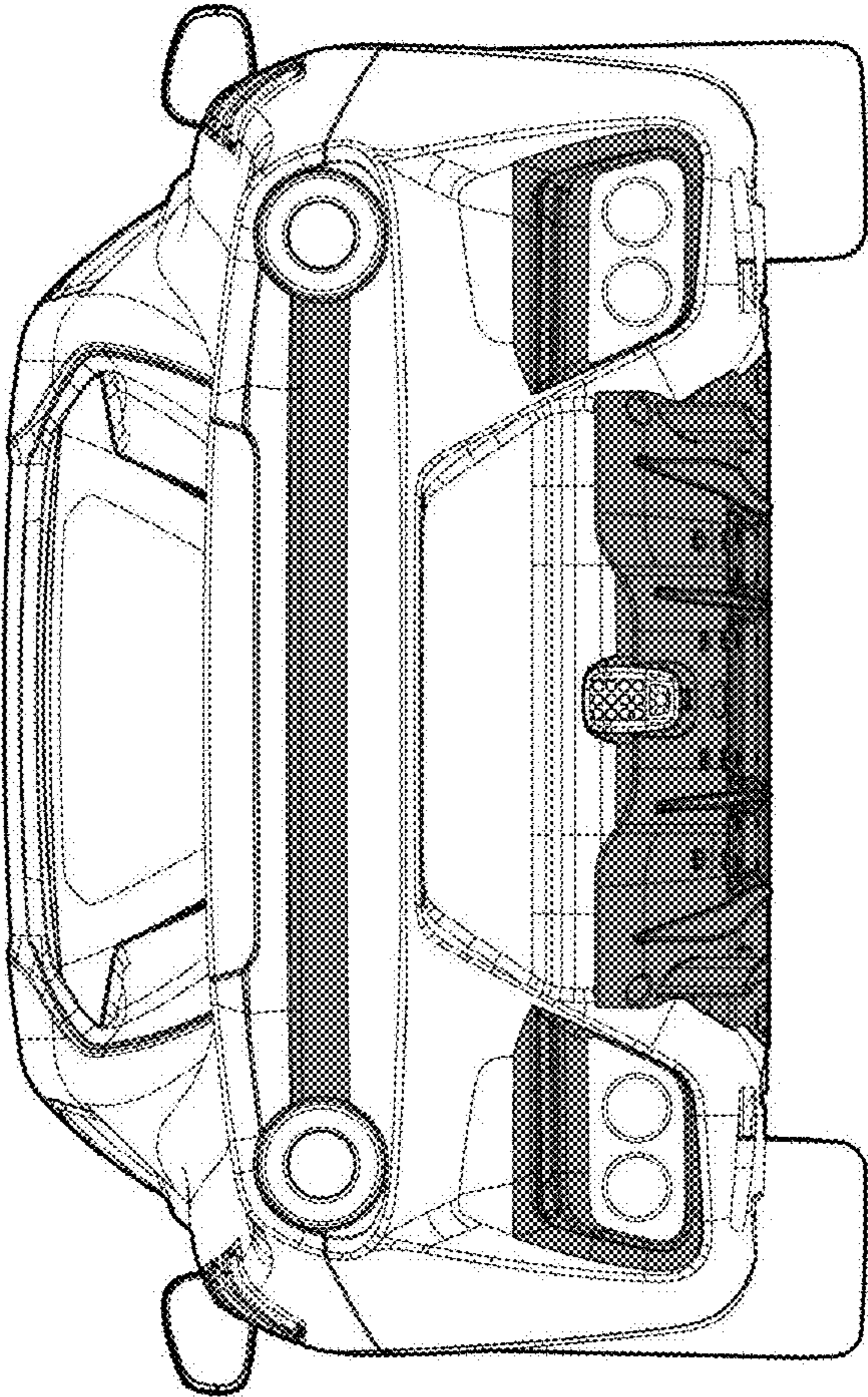


FIG. 5

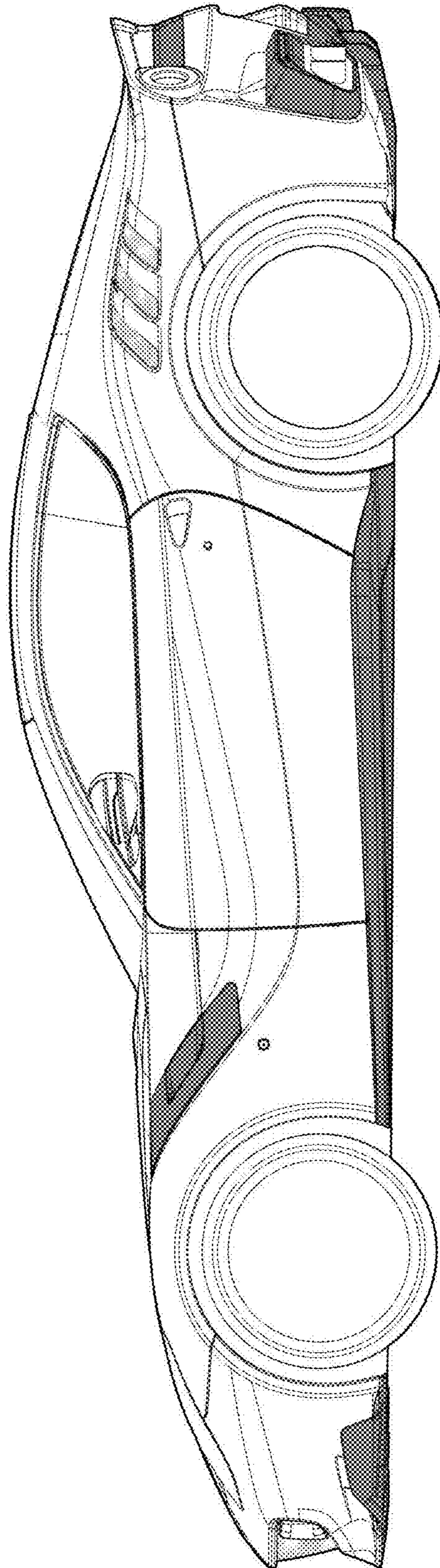


FIG. 6

