



US00D781746S

(12) **United States Design Patent**
Kiel et al.

(10) **Patent No.:** **US D781,746 S**
(45) **Date of Patent:** **** Mar. 21, 2017**

- (54) **OVERHEAD GUNNER PROTECTION KIT**
- (71) Applicants: **Thomas J. Kiel**, Bernardsville, NJ (US); **Allen T. Brokaw**, Hackettstown, NJ (US)
- (72) Inventors: **Thomas J. Kiel**, Bernardsville, NJ (US); **Allen T. Brokaw**, Hackettstown, NJ (US)
- (73) Assignee: **The United States of America as Represented by the Secretary of the Army**, Washington, DC (US)

8,356,541	B2 *	1/2013	Schneider	F41H 5/013	89/36.08
8,678,655	B1 *	3/2014	Mougeotte	F16C 19/522	384/126
8,910,559	B1 *	12/2014	Berman	F41H 7/04	89/36.08
9,086,255	B1 *	7/2015	Berman	F41H 5/20	
2009/0120274	A1 *	5/2009	Schneider	F41H 5/20	89/36.08
2011/0197747	A1 *	8/2011	Schneider	F41H 5/013	89/36.08
2014/0083284	A1 *	3/2014	Chu	F41H 5/013	89/36.02

* cited by examiner

(**) Term: **14 Years**

Primary Examiner — T. Chase Nelson

Assistant Examiner — Ania Aman

(21) Appl. No.: **29/497,319**

(74) *Attorney, Agent, or Firm* — John P. DiScala

(22) Filed: **Jul. 23, 2014**

(51) **LOC (10) Cl.** **12-13**

(52) **U.S. Cl.**
USPC **D12/12**

(58) **Field of Classification Search**
USPC D12/1, 12, 14, 15
CPC F41H 5/20; F41H 7/04; F41H 5/26; F41H 5/013; F41H 7/02; F41H 5/18; F41H 5/14; F41H 7/00; F41H 7/03; F41H 7/048; F41H 7/042; F41H 7/044; F41H 5/00; F41H 5/023; F41H 5/06; F41H 5/16
See application file for complete search history.

(56) **References Cited**

U.S. PATENT DOCUMENTS

D610,038	S *	2/2010	Kiel	D12/12
D619,044	S *	7/2010	Kiel	D12/12
D622,182	S *	8/2010	Parimi	D12/12
8,286,540	B2 *	10/2012	Kachtan	E06B 1/6015
					29/428

(57) **CLAIM**

The ornamental design for an overhead gunner protection kit, as shown and described.

DESCRIPTION

The invention described and claimed herein may be manufactured, used, and licensed by or for the U.S. Government for U.S. Government purposes.

FIG. 1 is a perspective view of an overhead gunner protection kit showing our new design;

FIG. 2 is a front elevation view thereof;

FIG. 3 is a left side elevation view thereof;

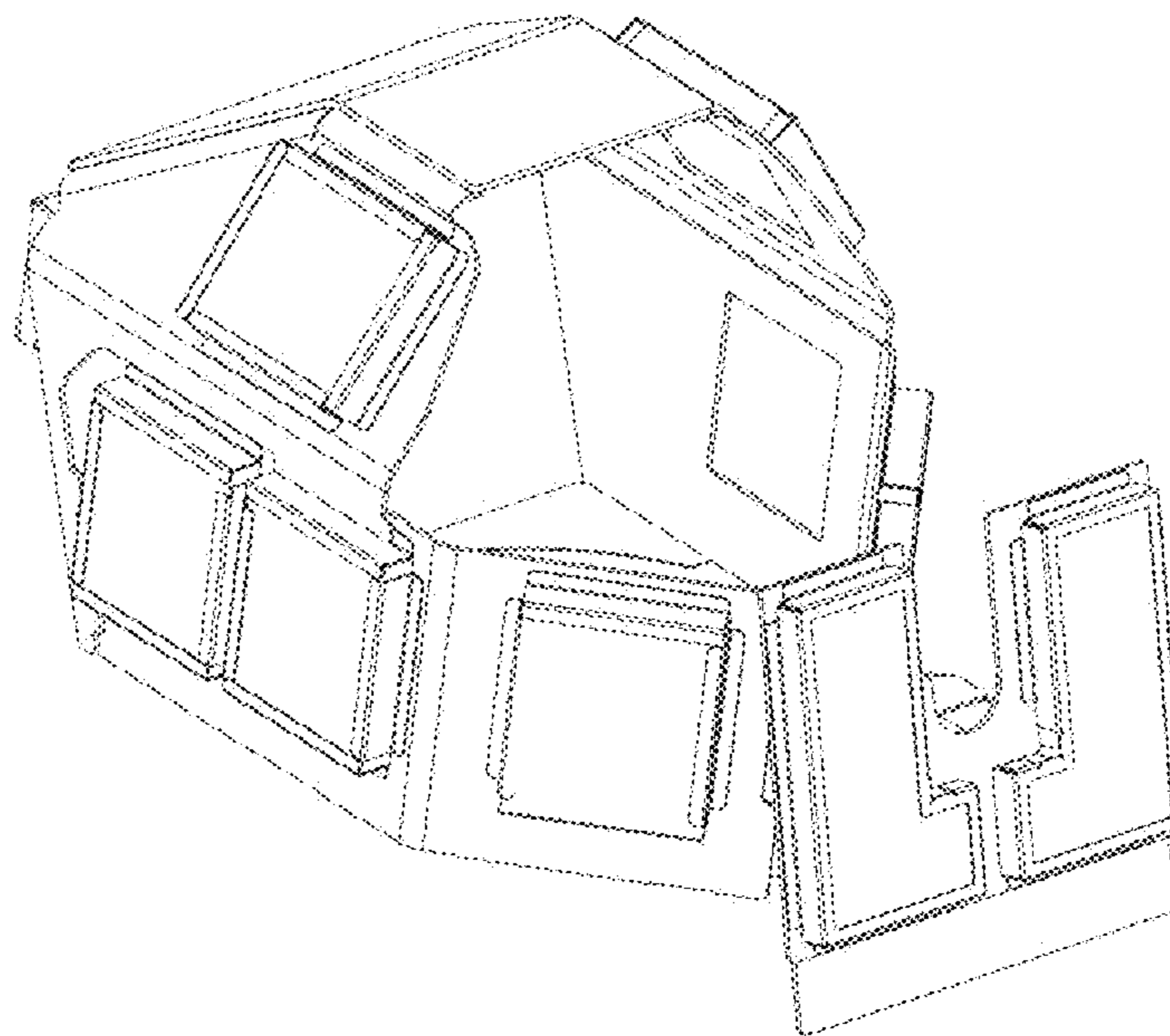
FIG. 4 is a right side elevation view thereof;

FIG. 5 is a rear elevation view thereof; and,

FIG. 6 is a top view thereof.

The bottom of the overhead gunner protection kit is not shown and forms no part of the claimed design.

1 Claim, 4 Drawing Sheets



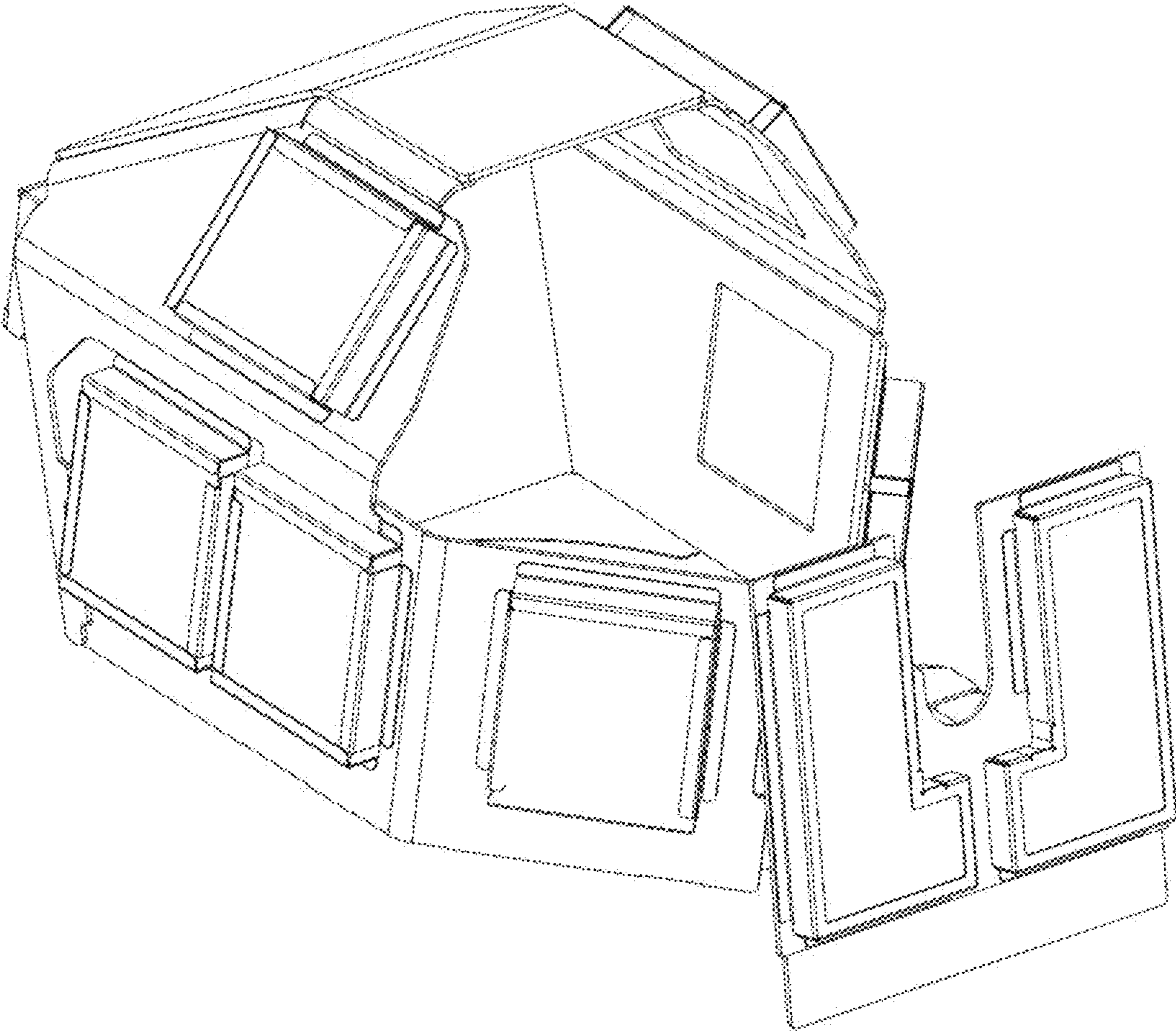


Fig. 1

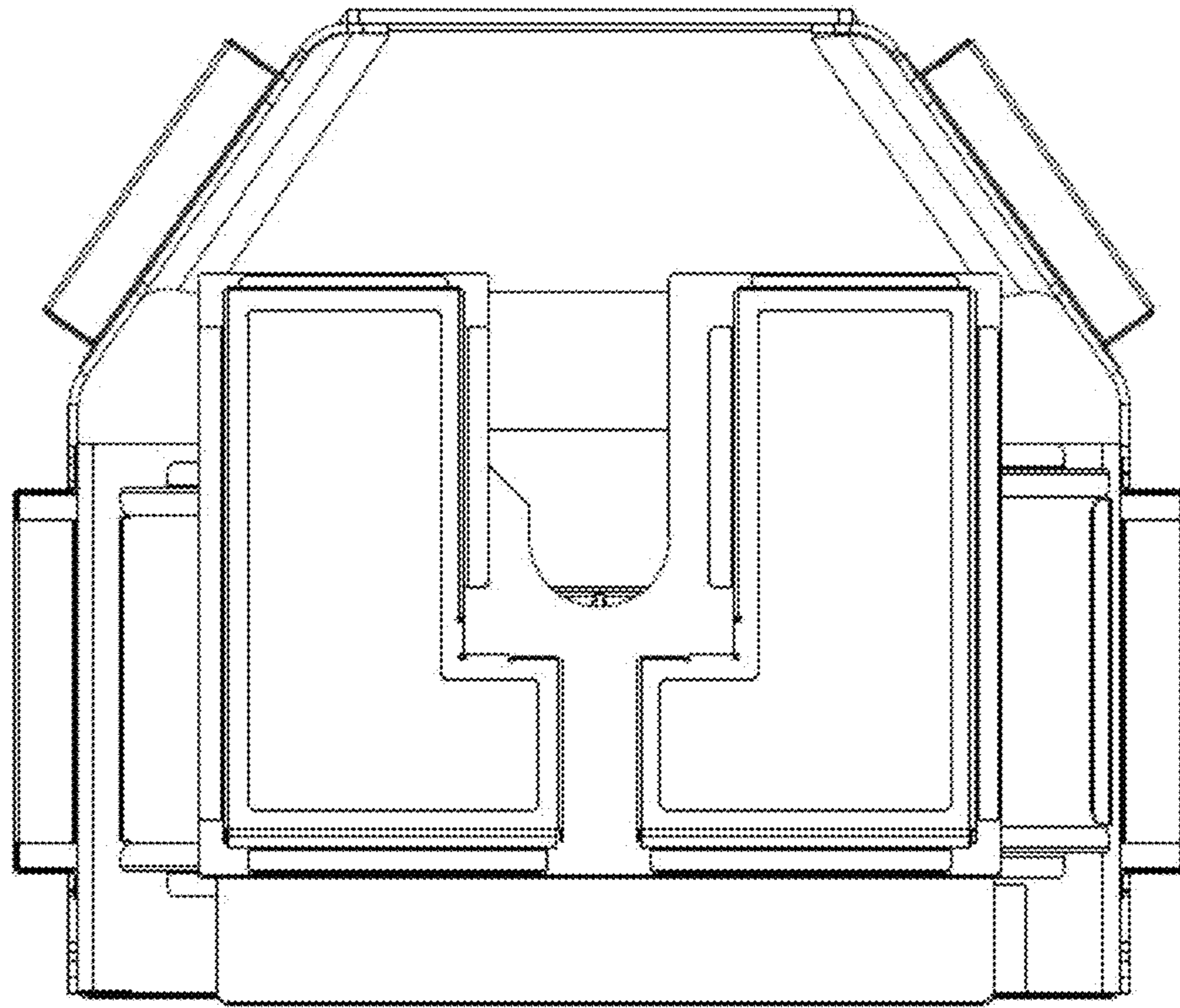


Fig. 2

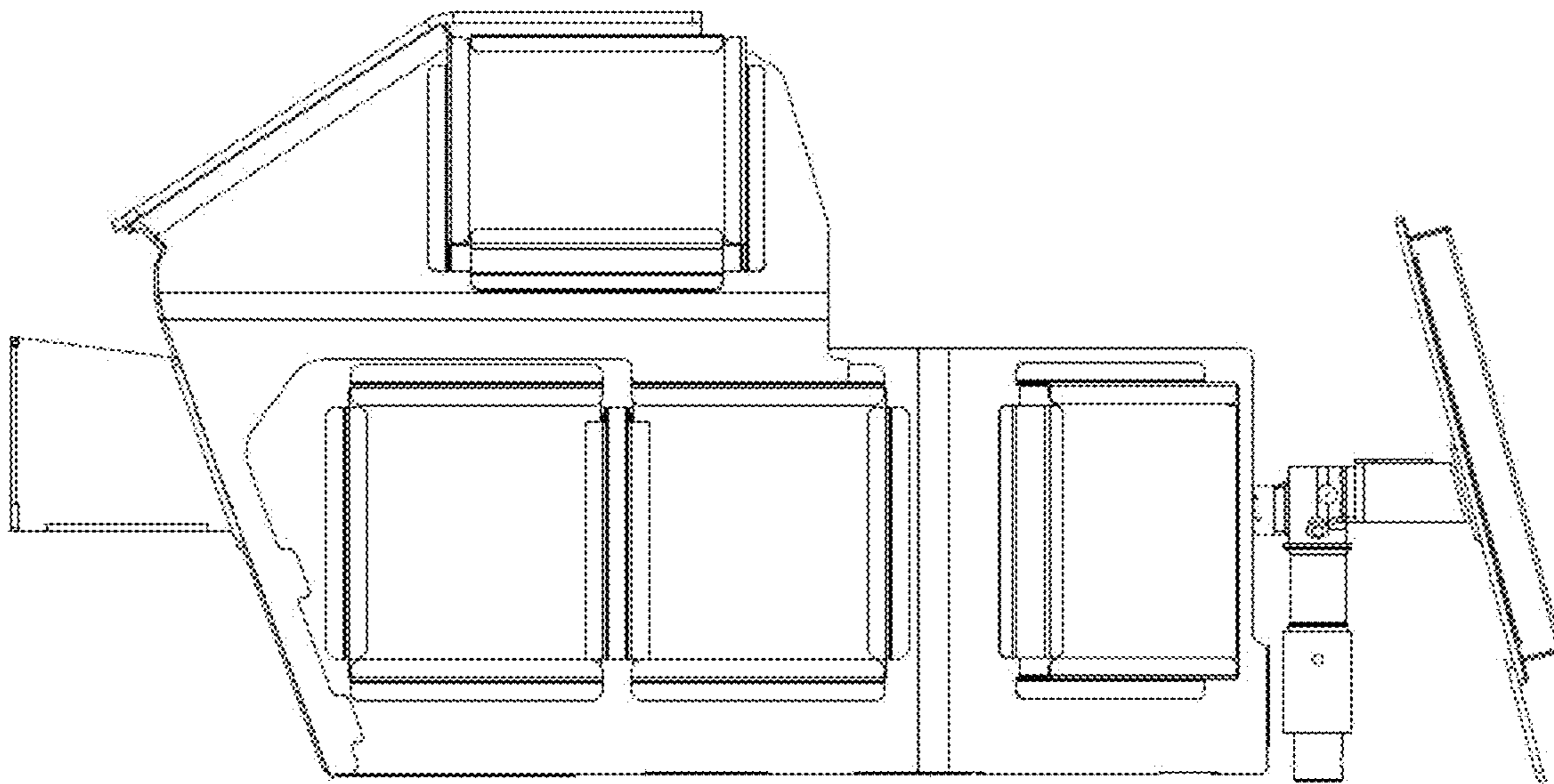


Fig. 3

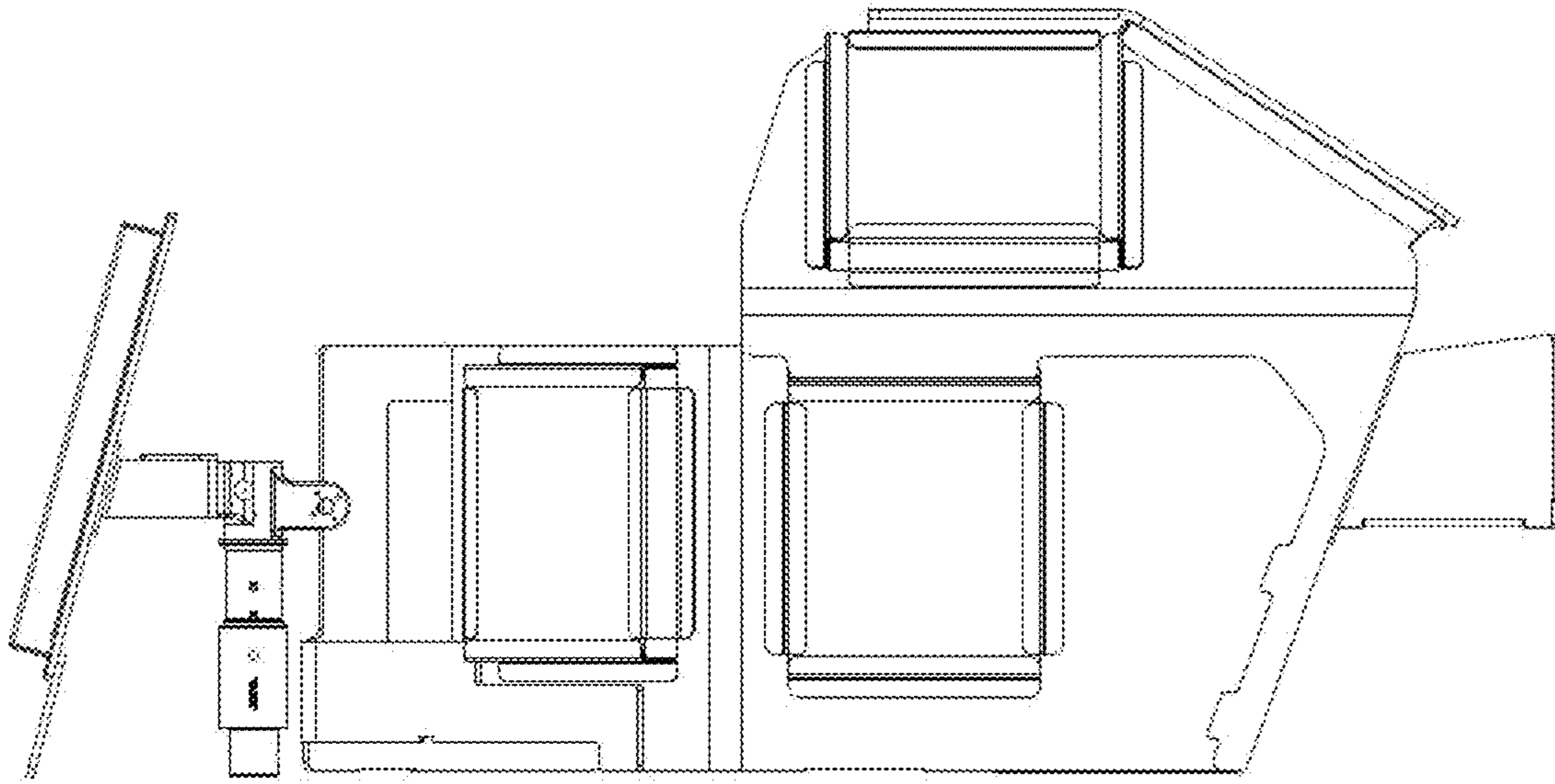


Fig. 4

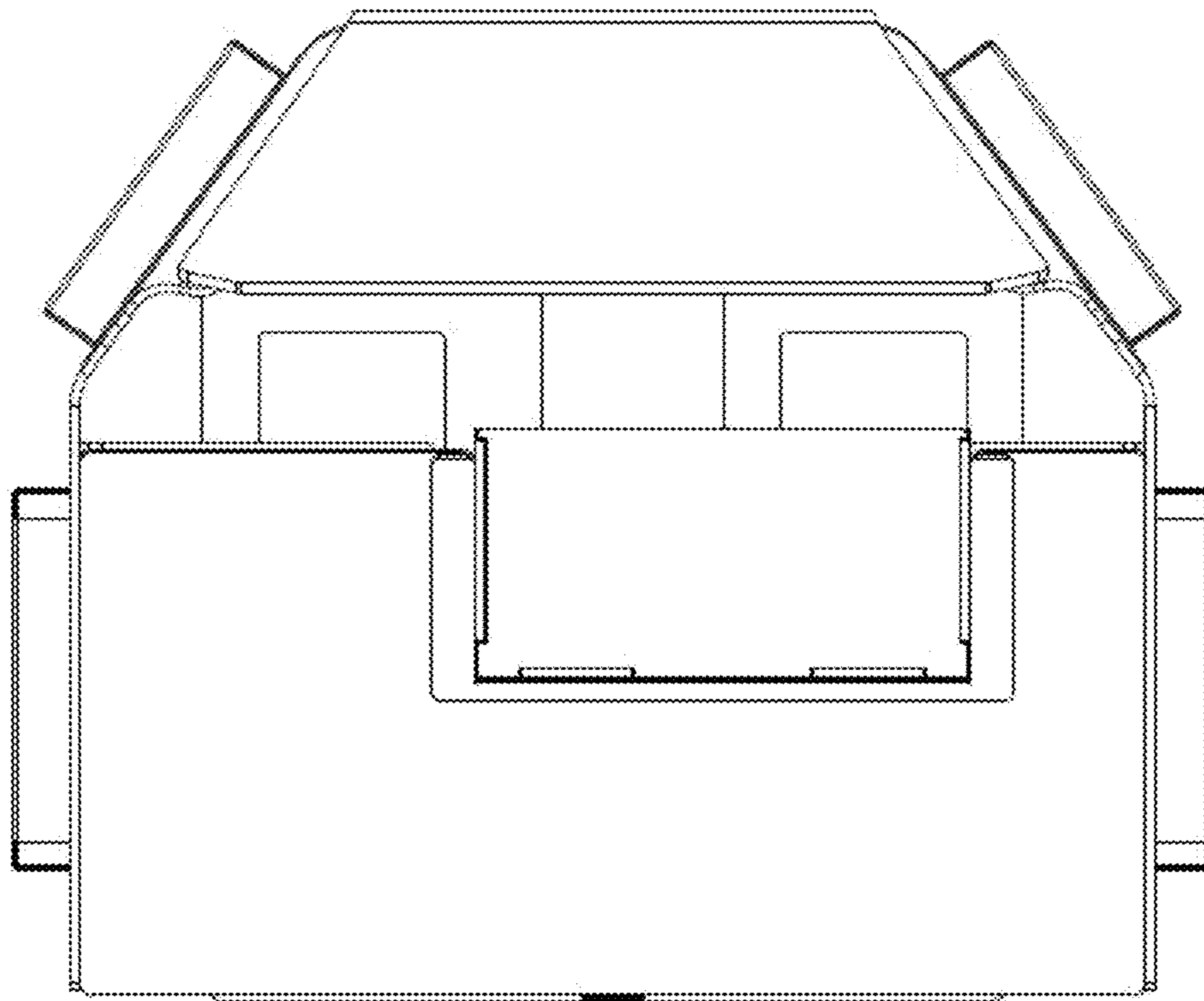


Fig. 5

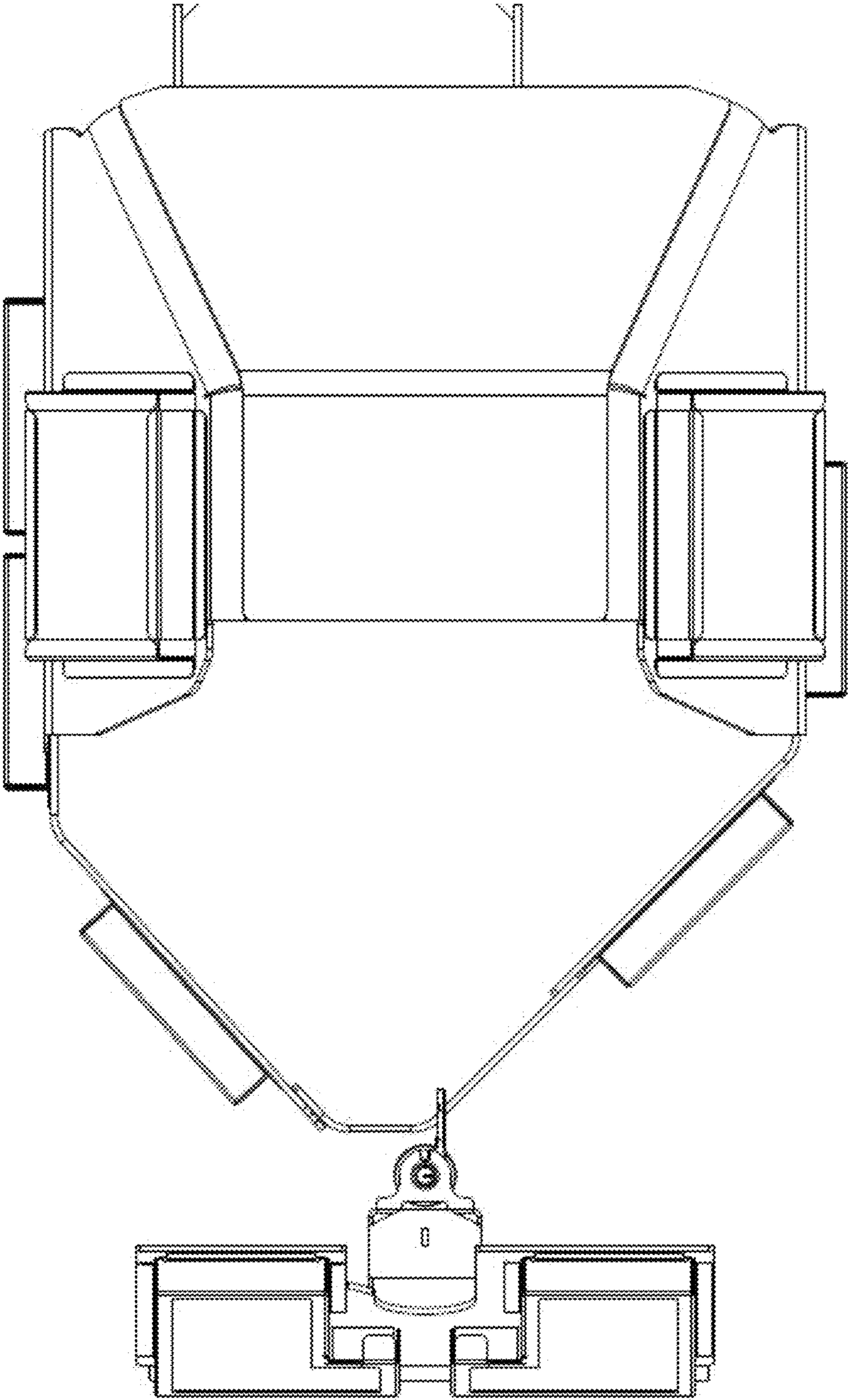


Fig. 6