



US00D781745S

(12) **United States Design Patent**
Ressler

(10) **Patent No.:** **US D781,745 S**
(45) **Date of Patent:** **** Mar. 21, 2017**

- (54) **WEBBING BUCKLE**
- (71) Applicant: **Dutch Clips LLC**, Reinholds, PA (US)
- (72) Inventor: **Thomas Ressler**, Reinholds, PA (US)
- (73) Assignee: **Dutch Clips LLC**, Reinholds, PA (US)
- (**) Term: **15 Years**
- (21) Appl. No.: **29/549,467**
- (22) Filed: **Dec. 22, 2015**
- (51) **LOC (10) Cl.** **02-07**
- (52) **U.S. Cl.**
USPC **D11/218**
- (58) **Field of Classification Search**
USPC D11/1-2, 200-201, 206-210, 214-218;
24/163 R, 169-171, 173, 177-179, 191,
24/194-195, 197, 200, 614-616, 625,
24/198, 578.11, 578.1, 163 K, 114
CPC A44B 11/26; A44B 11/25; A44B 11/06
See application file for complete search history.

(56) **References Cited**

U.S. PATENT DOCUMENTS

- D56,993 S * 1/1921 Robinson D11/218
- 1,803,214 A * 4/1931 Siegel A41F 11/02
2/319
- D269,389 S * 6/1983 Wood D11/212
- D687,347 S * 8/2013 Gillan D11/218
- D739,302 S * 9/2015 Nilsen D11/218

D749,461 S * 2/2016 Wong D11/200
* cited by examiner

Primary Examiner — Ralf Seifert
(74) *Attorney, Agent, or Firm* — Barley Snyder

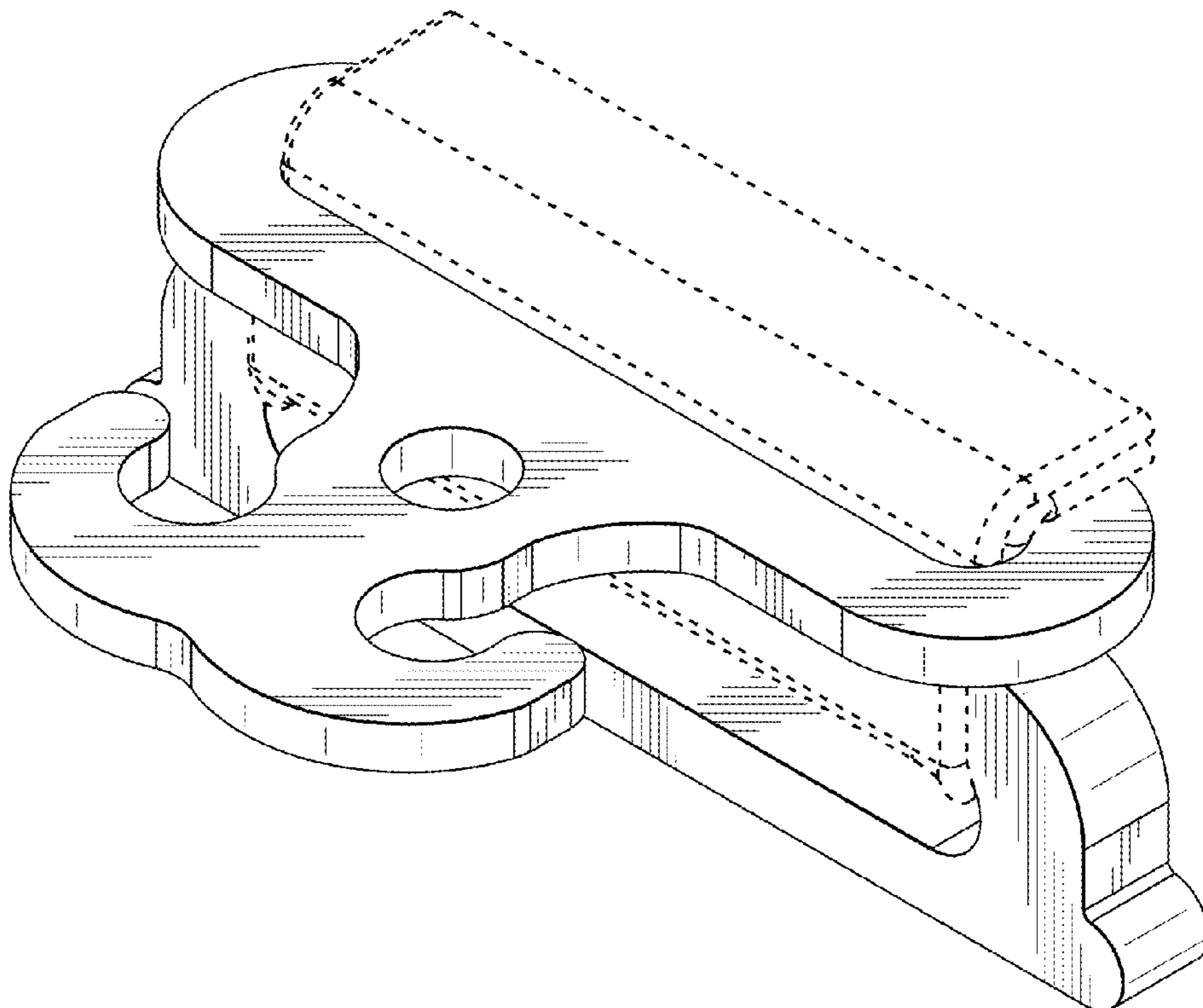
(57) **CLAIM**

The ornamental design for webbing buckle, as shown and described.

DESCRIPTION

FIG. 1 is a front, top and right side perspective view of a webbing buckle;
 FIG. 2 is a rear, bottom and left side perspective view of a webbing buckle;
 FIG. 3 is a top plan view thereof;
 FIG. 4 is a front elevation view thereof;
 FIG. 5 is a bottom plan view thereof;
 FIG. 6 is a rear elevation view thereof;
 FIG. 7 is a left side elevation view thereof;
 FIG. 8 is a right side elevation view thereof;
 FIG. 9 is a rear, top and right side perspective view of the webbing buckle; and,
 FIG. 10 is rear, bottom and left side perspective view of the webbing buckle.
 The broken lines shown in the Figures are included to show unclaimed subject matter only and form no part of the claimed design.

1 Claim, 5 Drawing Sheets



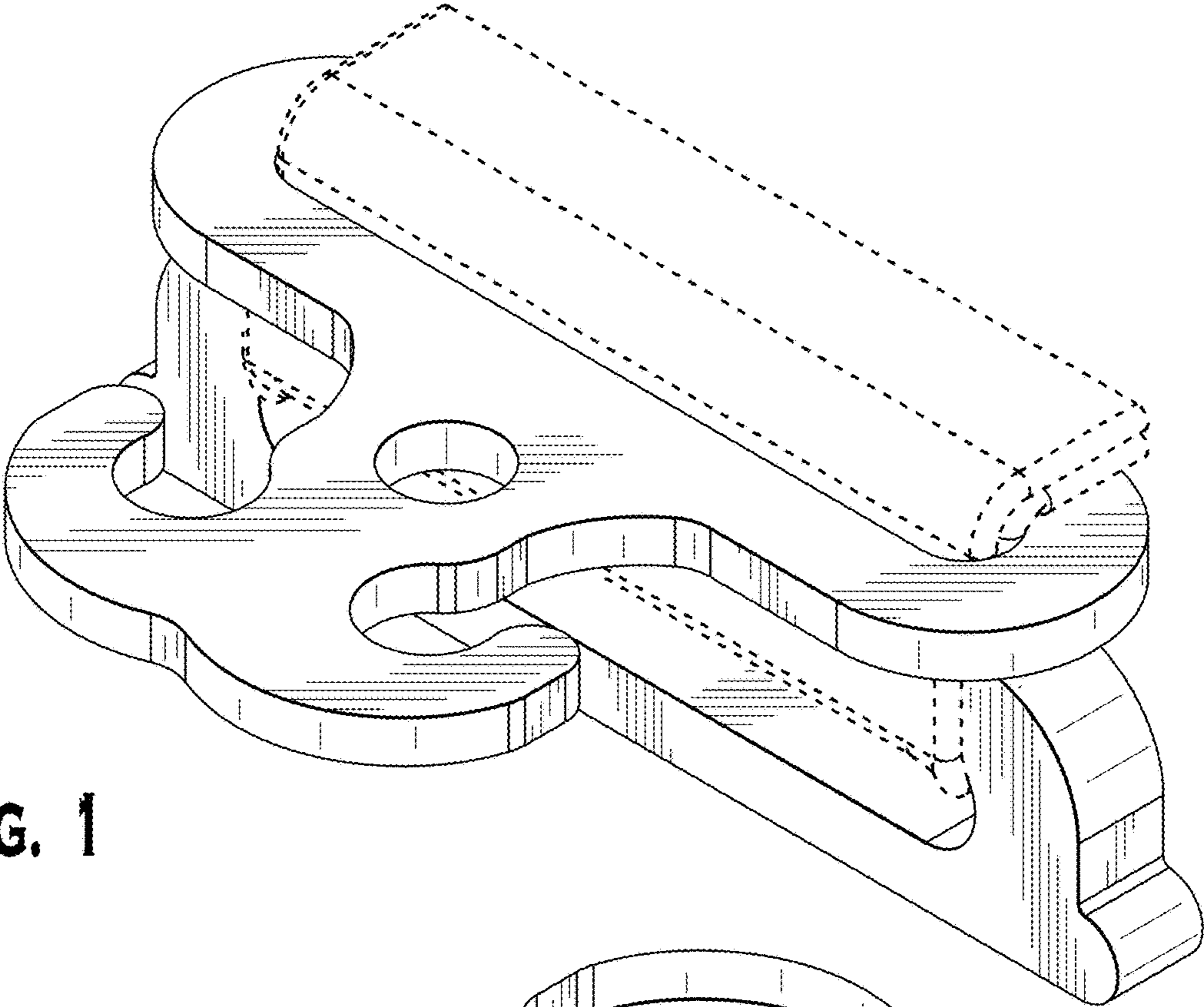


FIG. 1

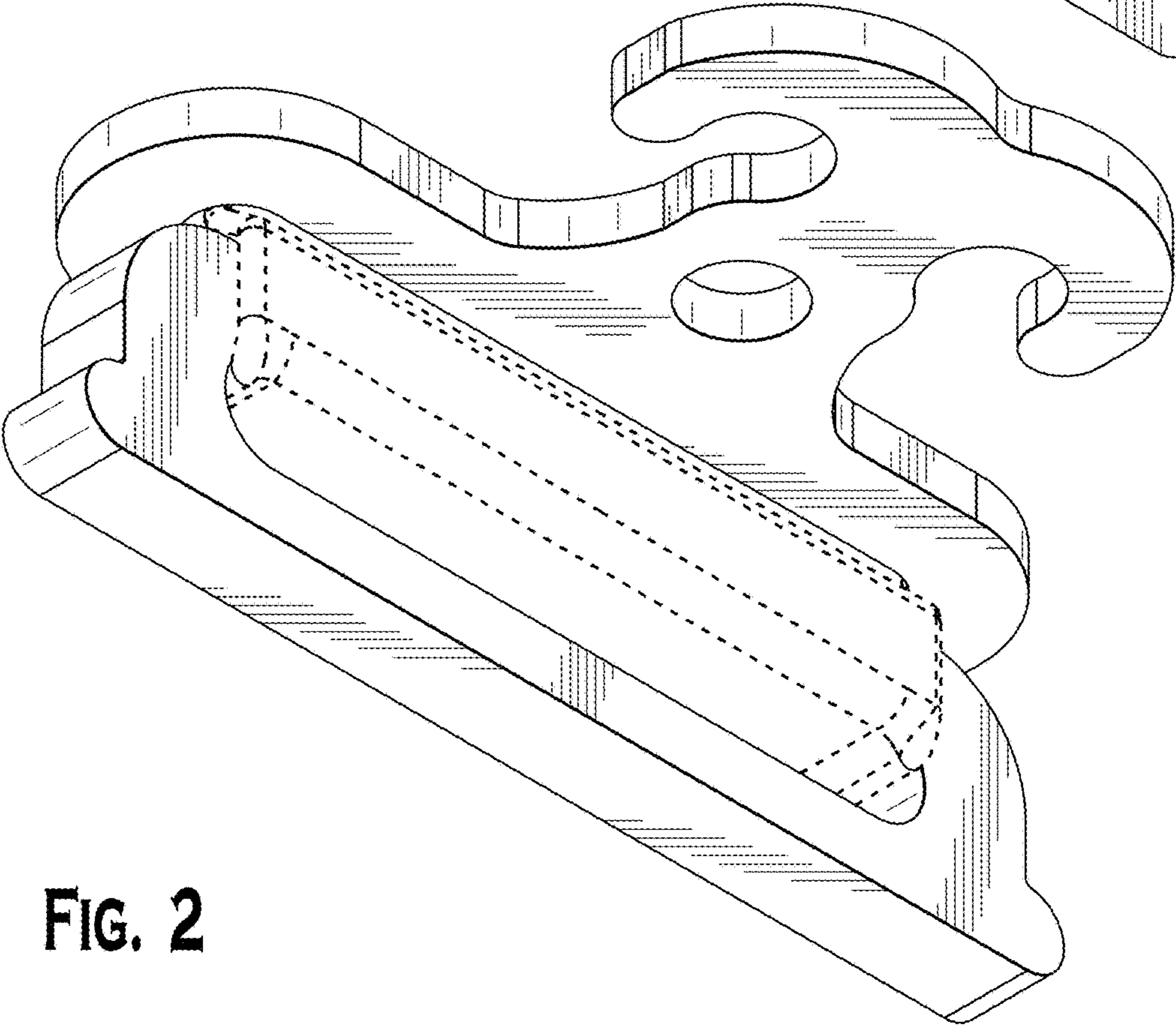


FIG. 2

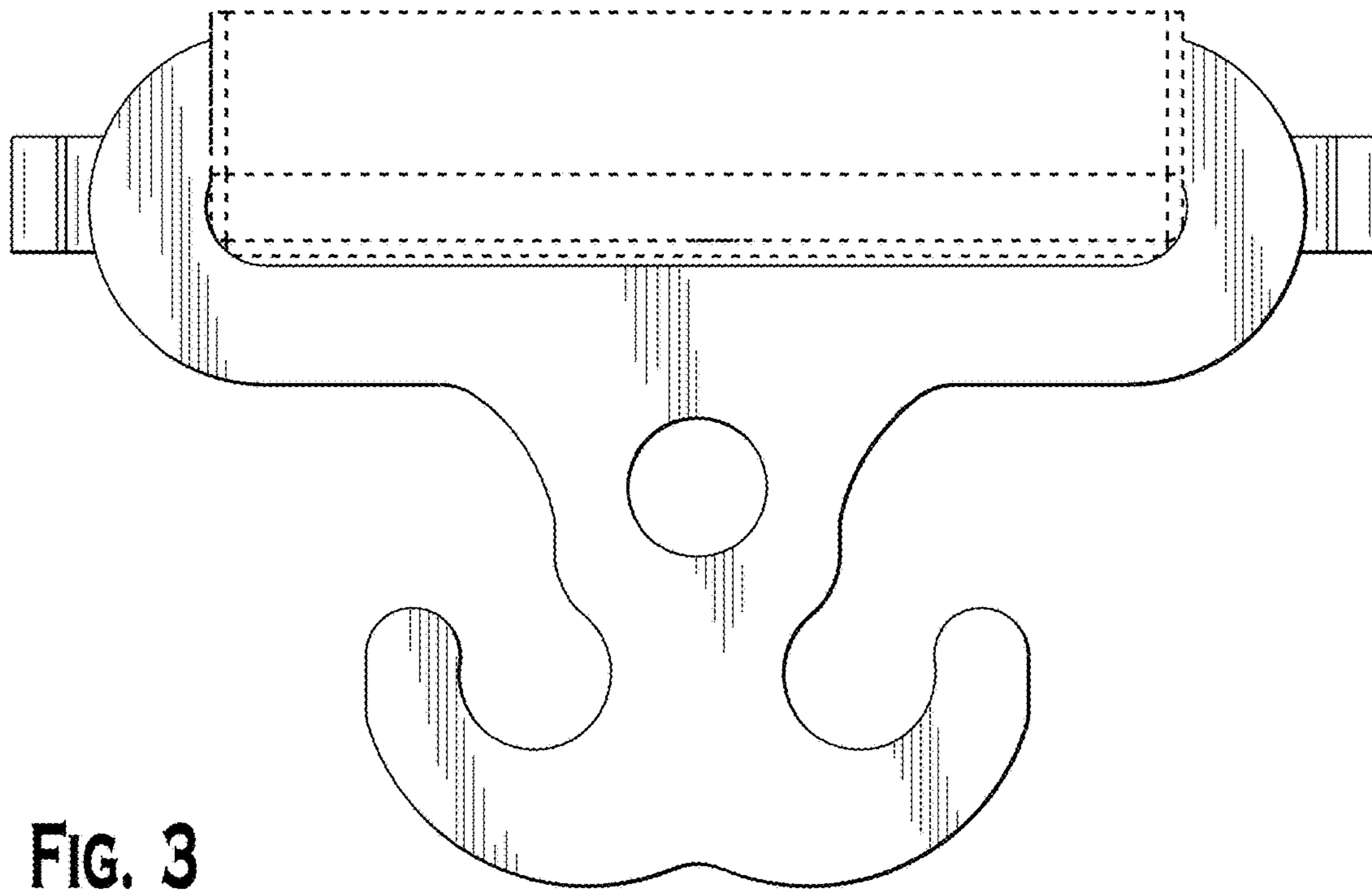


FIG. 3

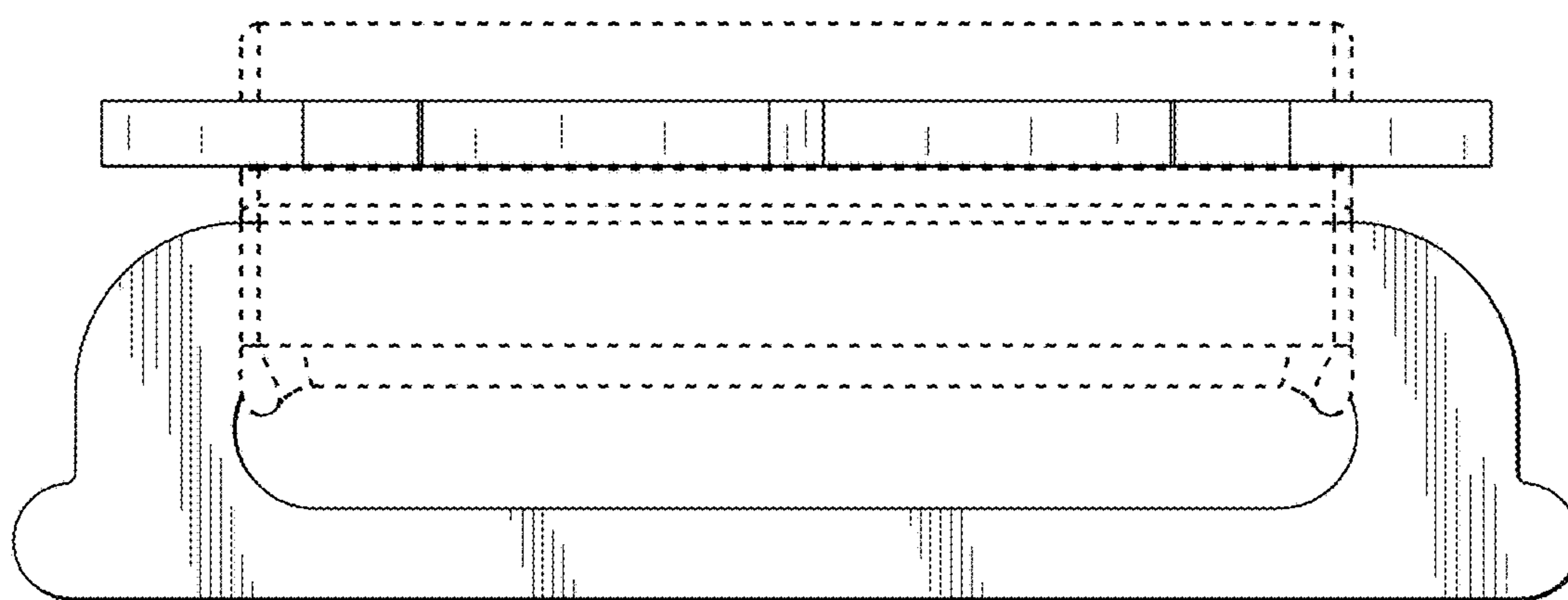


FIG. 4

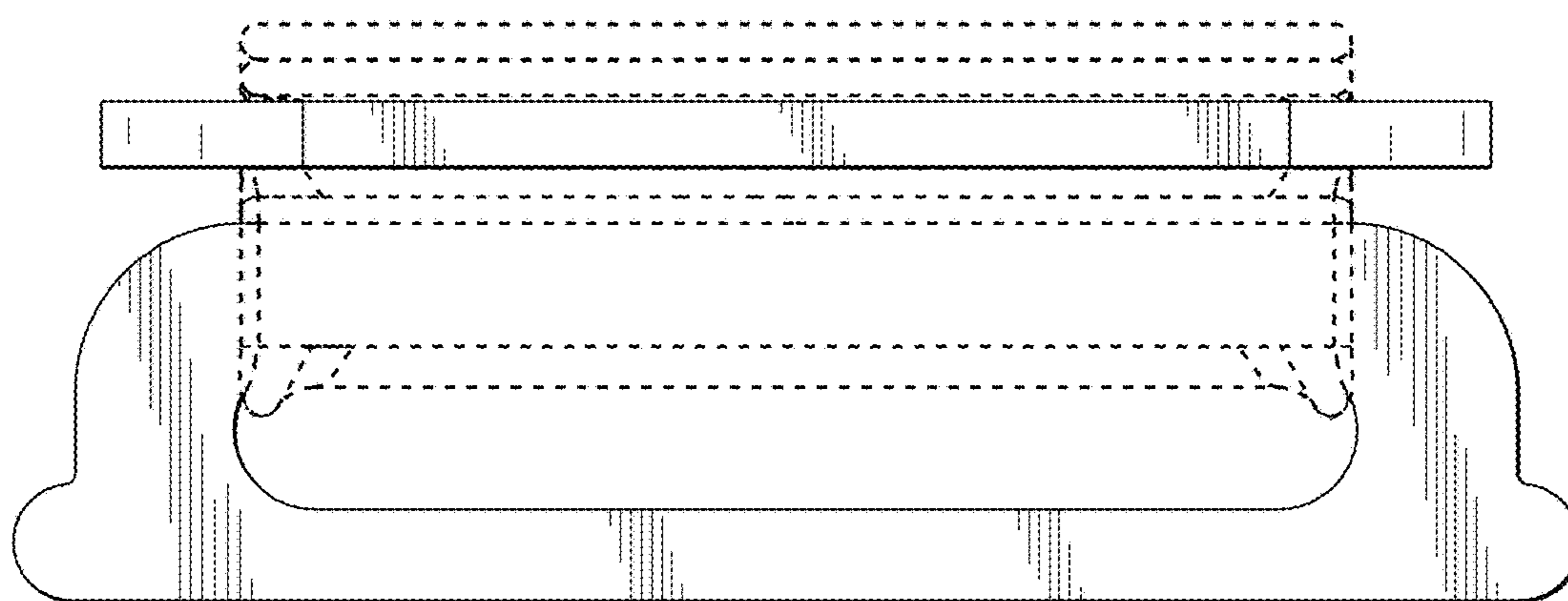
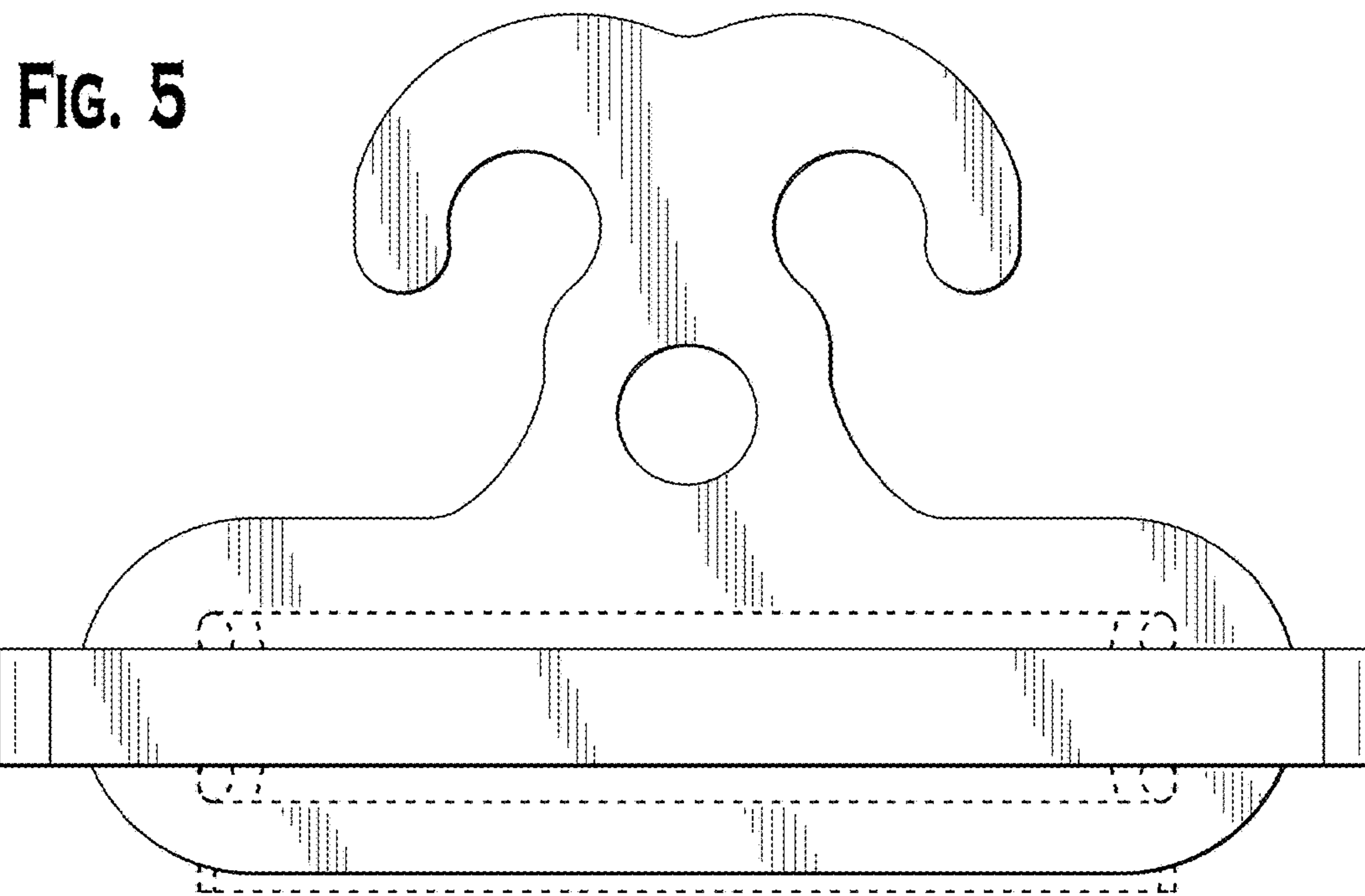


FIG. 6

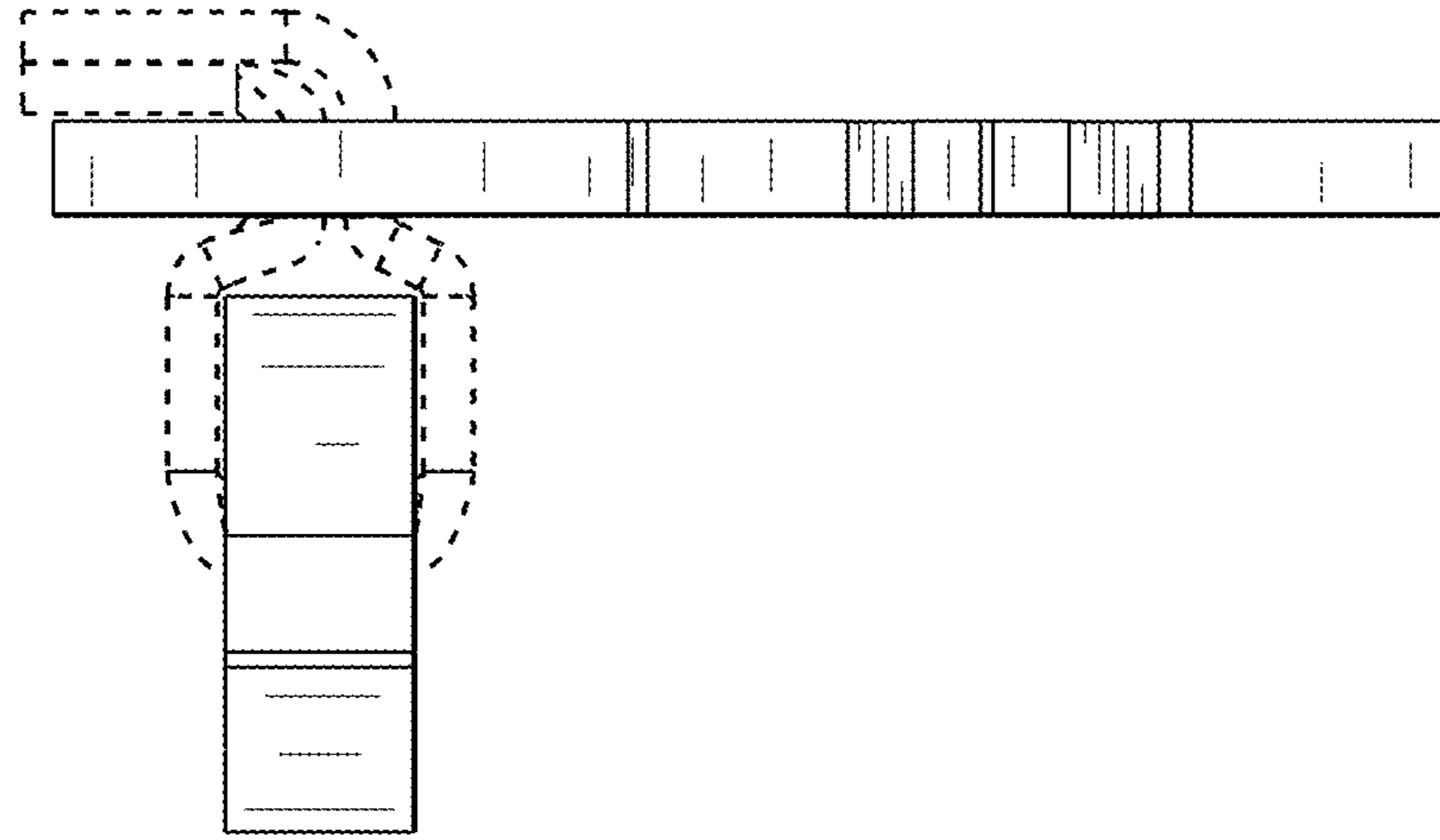


FIG. 7

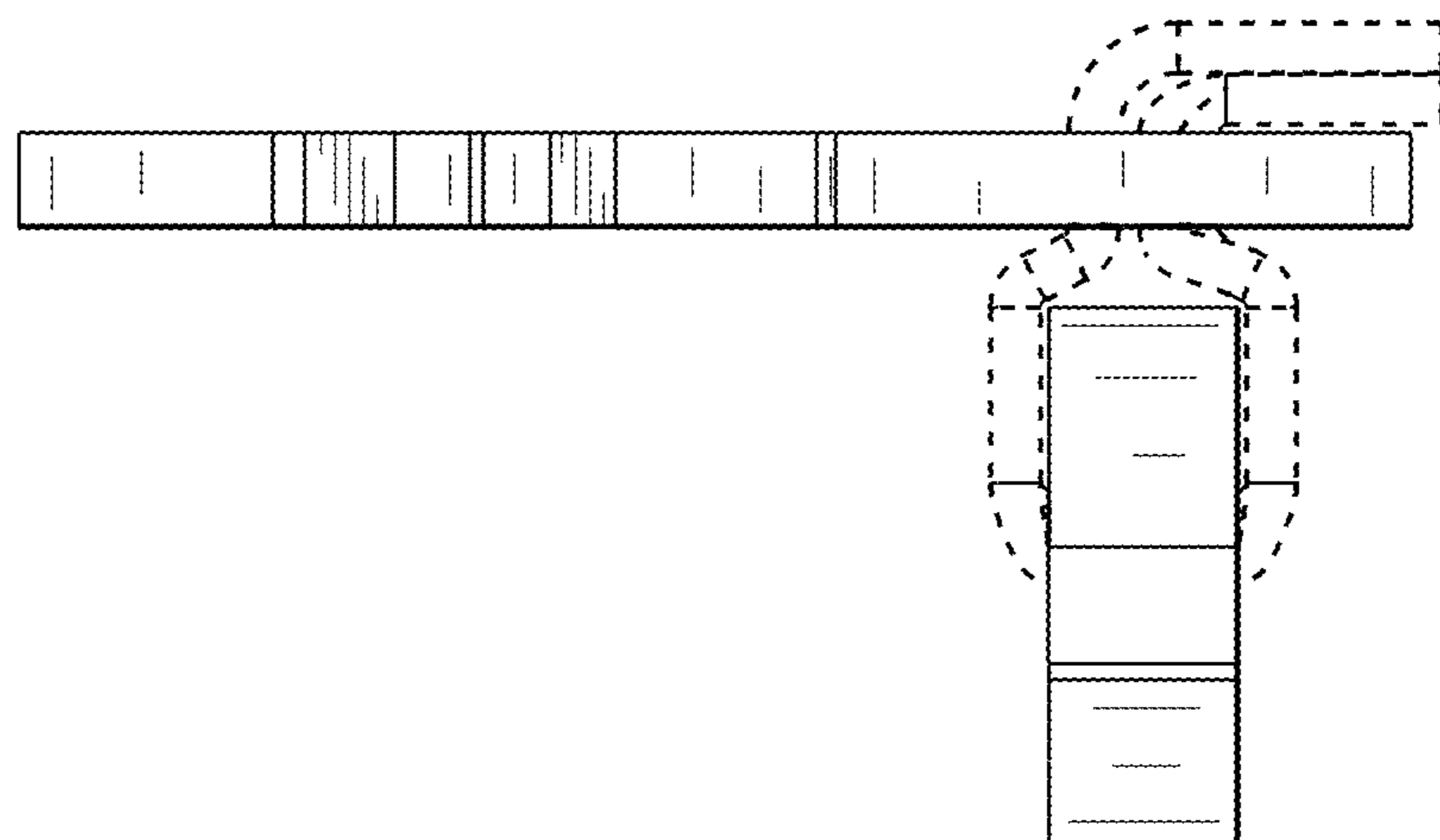


FIG. 8

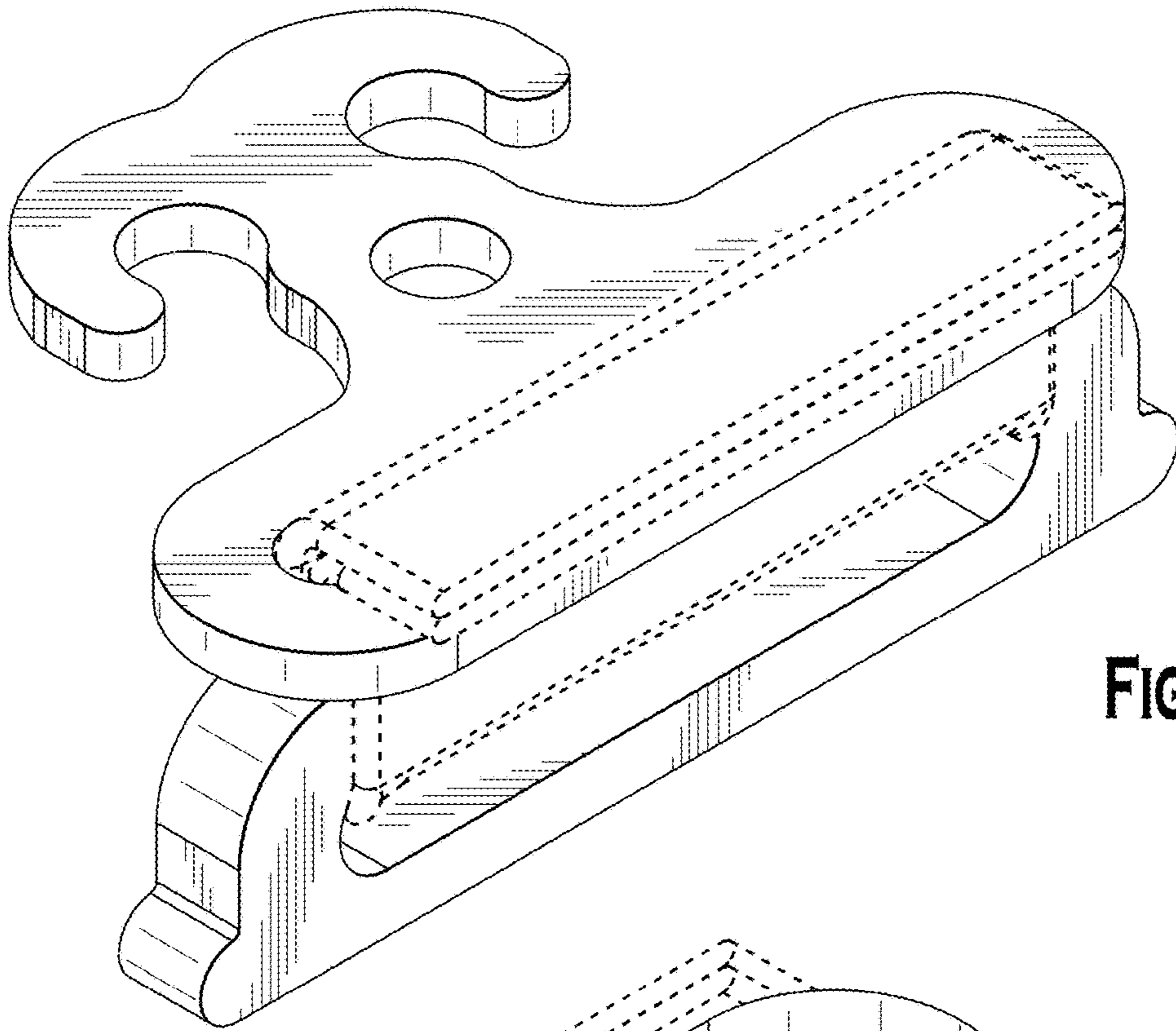


FIG. 9

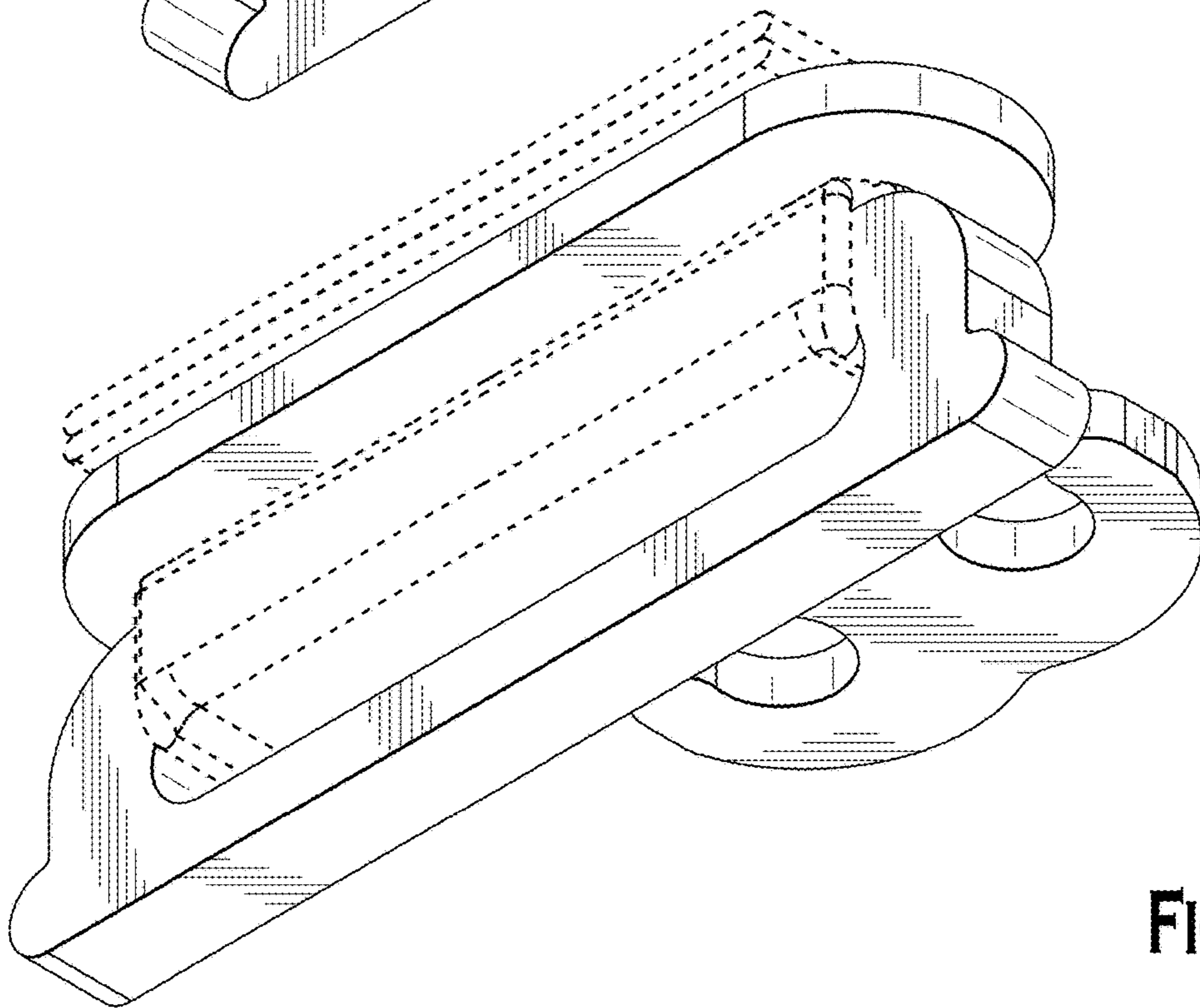


FIG. 10