



US00D781744S

(12) **United States Design Patent** (10) **Patent No.:** **US D781,744 S**
Szewczyk et al. (45) **Date of Patent:** **** *Mar. 21, 2017**

(54) **WEB ADJUSTER**

3,118,208 A * 1/1964 Wexler 24/644
3,165,805 A * 1/1965 Lower 24/646
3,591,900 A 7/1971 Brown

(71) Applicant: **Shield Restraint Systems, Inc.**,
Elkhart, IN (US)

(Continued)

(72) Inventors: **Alexander J. Szewczyk**, Elkhart, IN
(US); **Brandon S. Marriott**, Goshen,
IN (US); **David D. Merrick**, Rochester,
IN (US); **Wayne D. Carter**,
Constantine, MI (US)

FOREIGN PATENT DOCUMENTS

CA 2038505 11/2000
CA 2450744 2/2003

(Continued)

(73) Assignee: **Shield Restraint Systems, Inc.**,
Elkhart, IN (US)

Primary Examiner — Ralf Seifert

(74) *Attorney, Agent, or Firm* — Perkins Coie LLP

(*) Notice: This patent is subject to a terminal dis-
claimer.

(57) **CLAIM**

The ornamental design for a web adjuster, as shown and
described.

(**) Term: **14 Years**

DESCRIPTION

(21) Appl. No.: **29/512,086**

FIG. 1 is a rear isometric view of a web adjuster showing an
embodiment of our new design;

(22) Filed: **Dec. 16, 2014**

FIG. 2 is a front isometric view thereof;

(51) **LOC (10) Cl.** **02-07**

FIG. 3 is a top plan view thereof;

(52) **U.S. Cl.**
USPC **D11/216**

FIG. 4 is a bottom plan view thereof;

(58) **Field of Classification Search**
USPC D11/1-2, 200-201, 206-210, 214-218;
24/163 R, 169-171, 173, 177-179, 191,
24/194-195, 197, 200, 614-616, 625,
24/198, 578.11, 578.1, 163 K, 114
CPC A44B 11/26; A44B 11/25; A44B 11/06
See application file for complete search history.

FIG. 5 is a rear elevation view thereof;

FIG. 6 is a front elevation view thereof;

FIG. 7 is a right elevation view thereof;

FIG. 8 is a left elevation view thereof;

FIG. 9 is a rear isometric view of a web adjuster showing a
second embodiment of our new design;

FIG. 10 is a front isometric view of FIG. 9;

FIG. 11 is a top plan view of FIG. 9;

FIG. 12 is a bottom plan view of FIG. 9;

FIG. 13 is a rear elevation view of FIG. 9;

FIG. 14 is a front elevation view of FIG. 9;

FIG. 15 is a right elevation view of FIG. 9; and,

FIG. 16 is a left elevation view of FIG. 9.

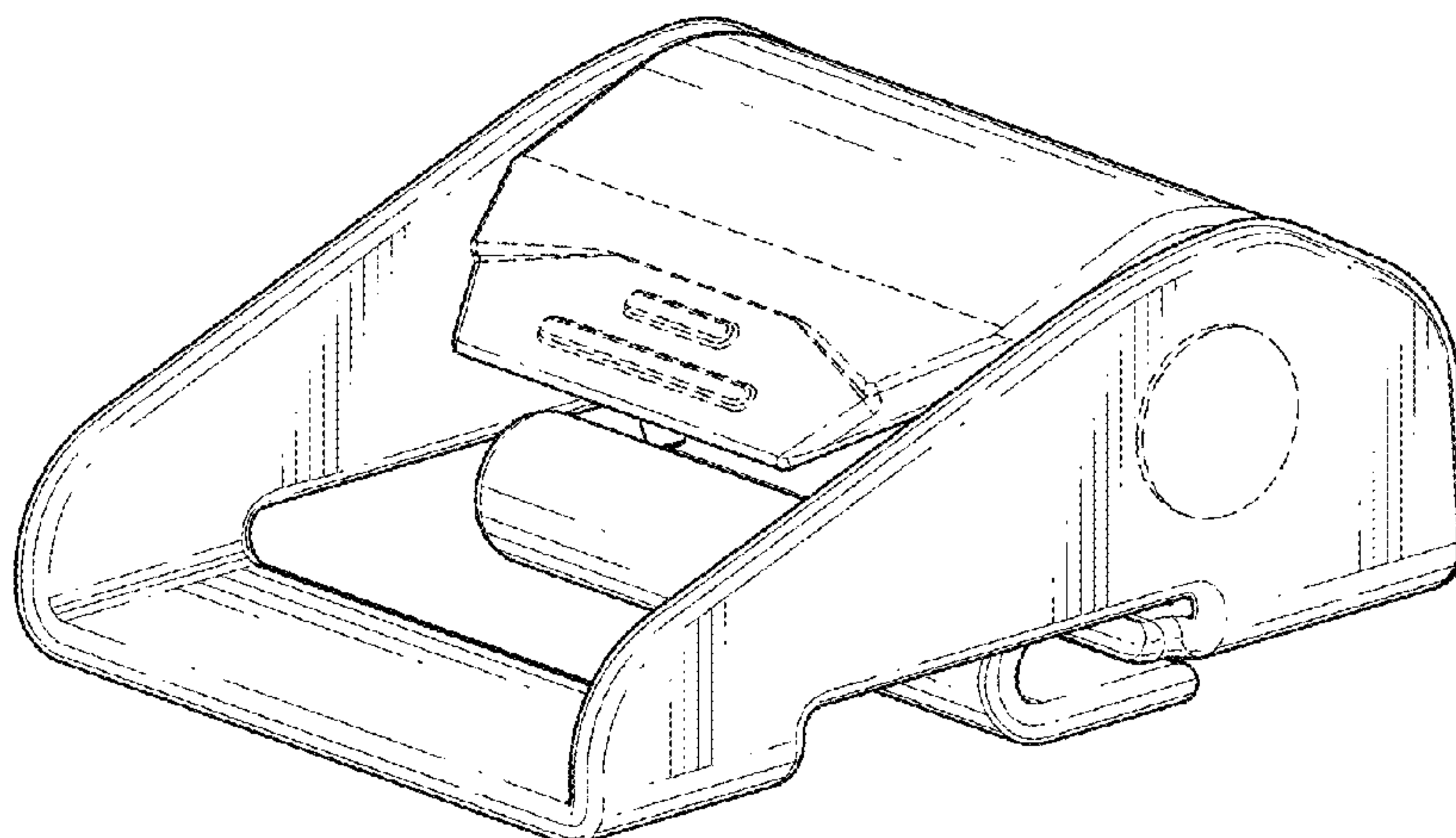
The broken lines in the Figures show portions of the web
adjuster which form no part of the claimed design.

(56) **References Cited**

U.S. PATENT DOCUMENTS

1,079,080 A 11/1913 Ward
1,438,898 A 12/1922 Carpmill
2,938,254 A 5/1960 Gaylord
D188,897 S * 9/1960 Prete, Jr. D11/216

1 Claim, 8 Drawing Sheets



(56)

References Cited

U.S. PATENT DOCUMENTS

3,898,715	A	8/1975	Balder	
3,975,800	A	8/1976	Farlind	
4,051,743	A	10/1977	Gaylord	
4,118,833	A	10/1978	Knox et al.	
4,136,422	A	1/1979	Ivanov et al.	
4,148,224	A	4/1979	Craig	
D274,861	S *	7/1984	Lindblad	D11/216
4,660,889	A	4/1987	Anthony et al.	
4,679,852	A	7/1987	Anthony et al.	
D296,678	S	7/1988	Lortz et al.	
D303,232	S	9/1989	Lortz et al.	
4,934,030	A	6/1990	Spinosa et al.	
5,031,962	A	7/1991	Lee	
5,074,011	A	12/1991	Carlson	
5,088,160	A	2/1992	Warrick	
5,100,176	A	3/1992	Ball et al.	
5,160,186	A	11/1992	Lee	
D332,433	S	1/1993	Bougher	
5,248,187	A	9/1993	Harrison	
5,286,090	A	2/1994	Templin et al.	
5,311,653	A	5/1994	Merrick	
5,350,196	A	9/1994	Atkins	
D359,710	S	6/1995	Chinni et al.	
D362,415	S *	9/1995	Takimoto	D11/216
5,471,714	A	12/1995	Olson	
5,497,956	A	3/1996	Crook	
5,516,199	A	5/1996	Crook et al.	
5,695,243	A	12/1997	Anthony et al.	

5,774,947	A	7/1998	Anscher	
D397,063	S	8/1998	Woellert et al.	
D416,827	S	11/1999	Anthony et al.	
6,230,370	B1	5/2001	Nelsen	
6,260,884	B1	7/2001	Bittner et al.	
6,425,632	B1	7/2002	Anthony et al.	
6,560,825	B2	5/2003	Maciejczyk	
6,665,912	B2	12/2003	Turner et al.	
6,820,310	B2	11/2004	Woodard et al.	
6,868,585	B2	3/2005	Anthony et al.	
7,010,836	B2	3/2006	Acton et al.	
7,240,405	B2	7/2007	Webber et al.	
7,404,239	B1	7/2008	Walton et al.	
7,506,413	B2	3/2009	Dingman et al.	
D603,753	S *	11/2009	Palmer et al.	D11/216
7,861,341	B2	1/2011	Ayette et al.	
7,862,124	B2	1/2011	Dingman	
D729,119	S *	5/2015	Janes	D11/216
2005/0127660	A1	6/2005	Liu	
2006/0075609	A1	4/2006	Dingman et al.	

FOREIGN PATENT DOCUMENTS

EP	0363062	4/1990
EP	0449772	10/1991
EP	1153789	11/2001
EP	1447021	8/2004
WO	03009717	2/2003
WO	2006041859	4/2006

* cited by examiner

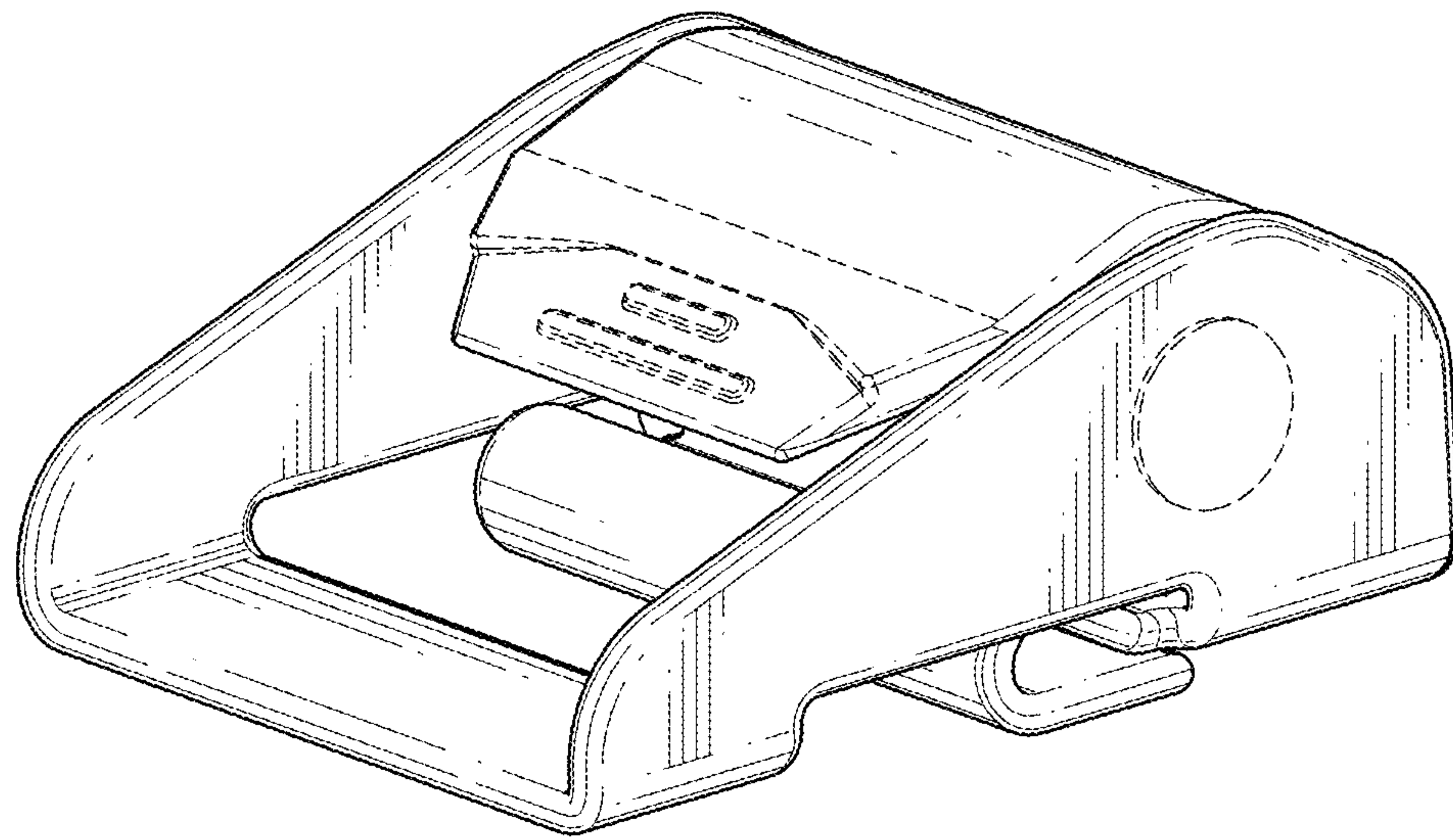


FIG. 1

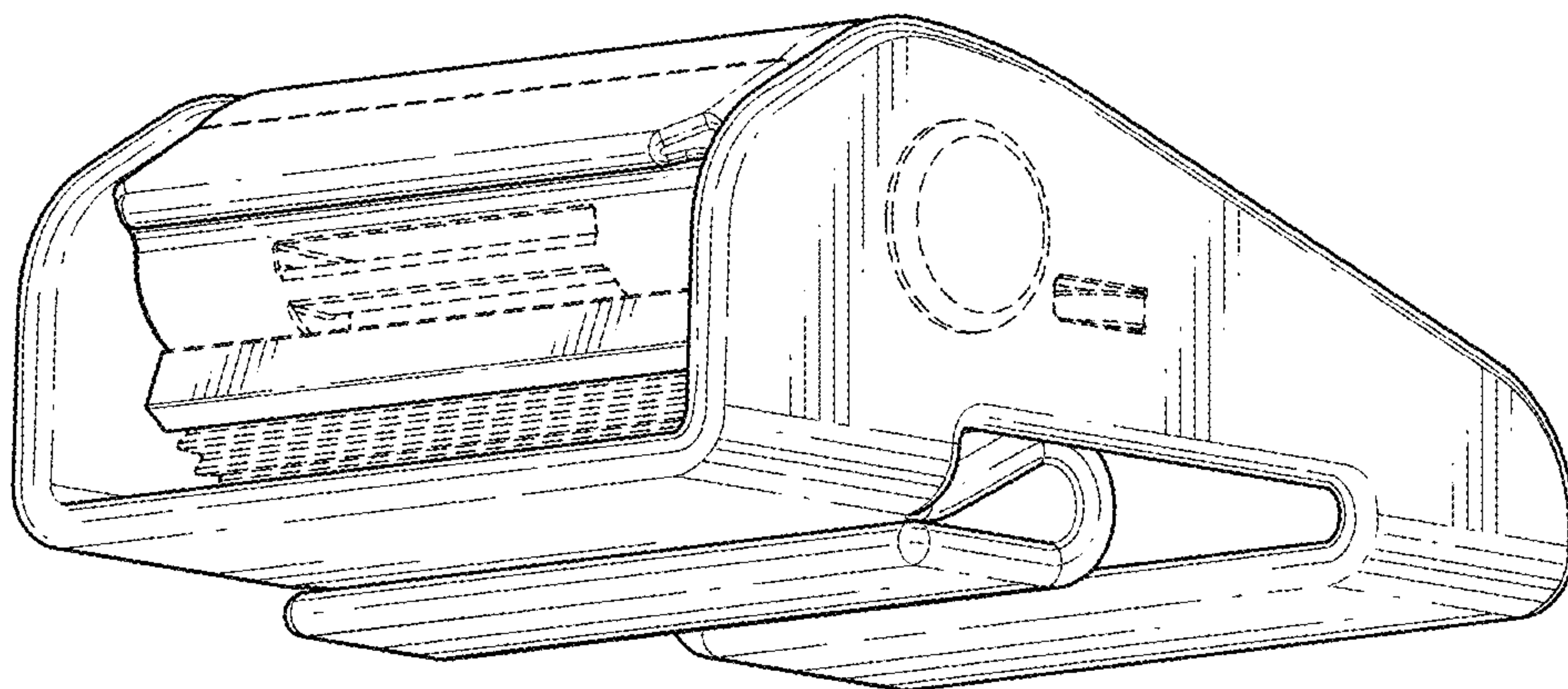


FIG. 2

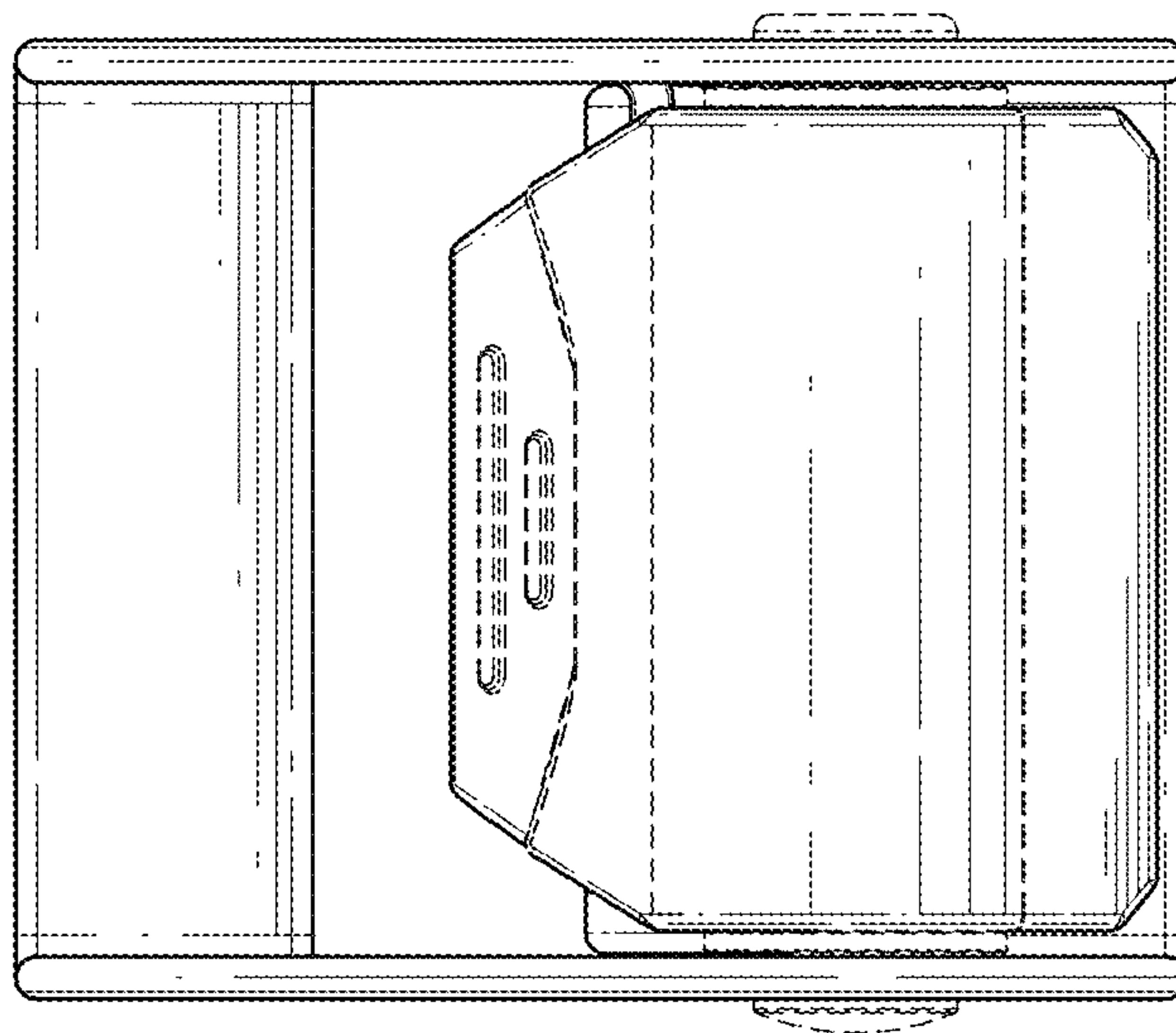


FIG. 3

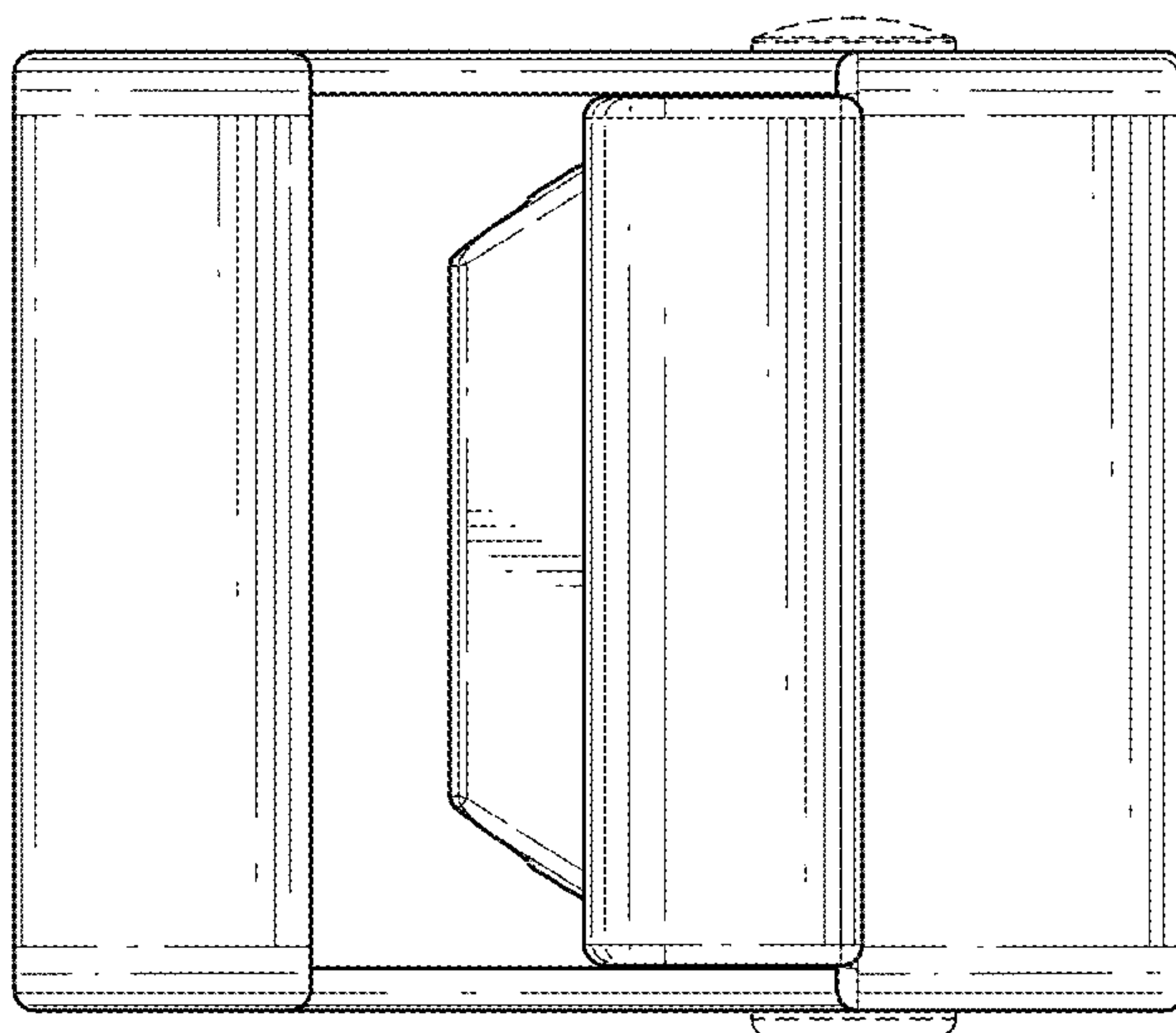


FIG. 4

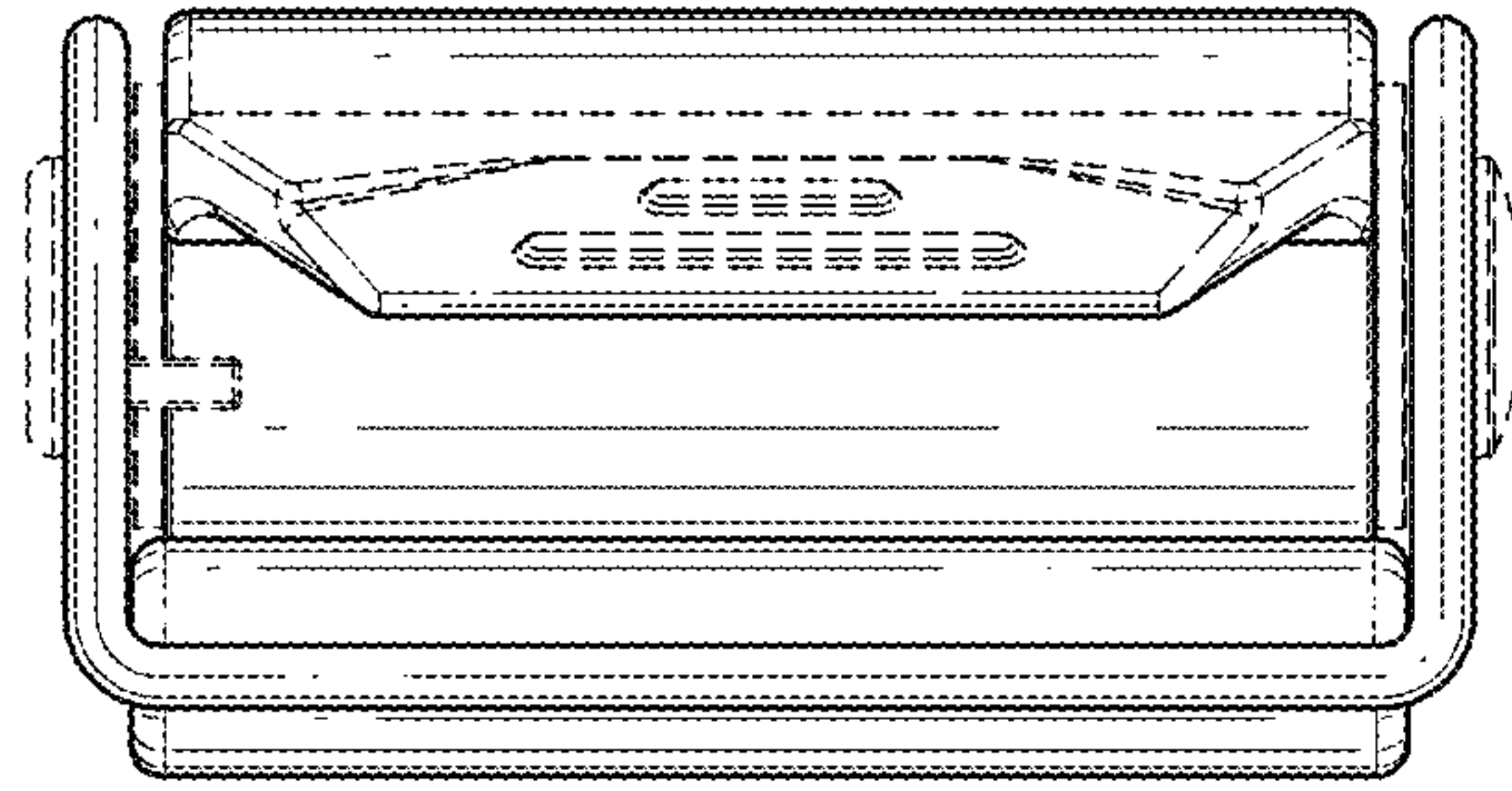


FIG. 5

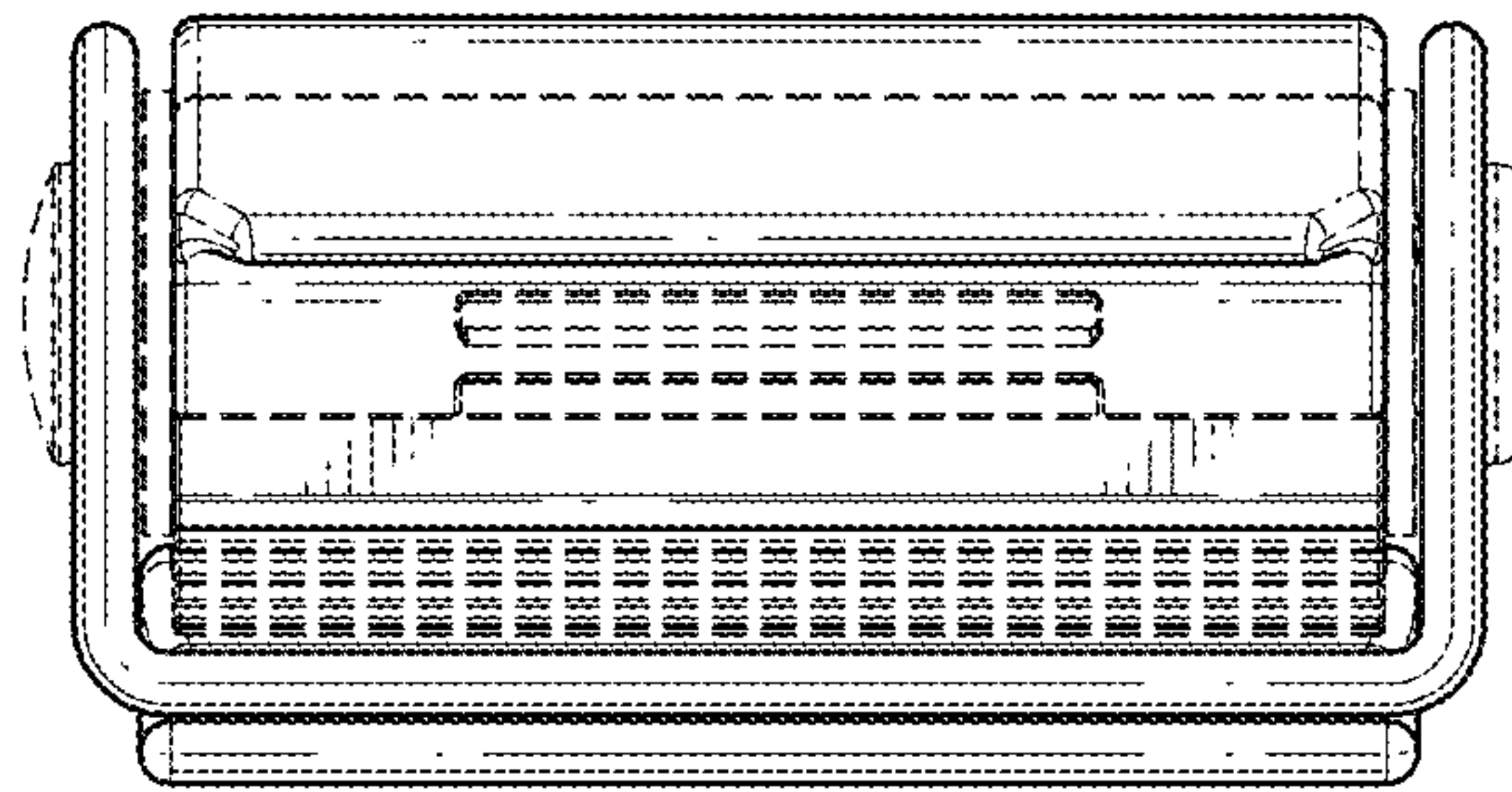


FIG. 6

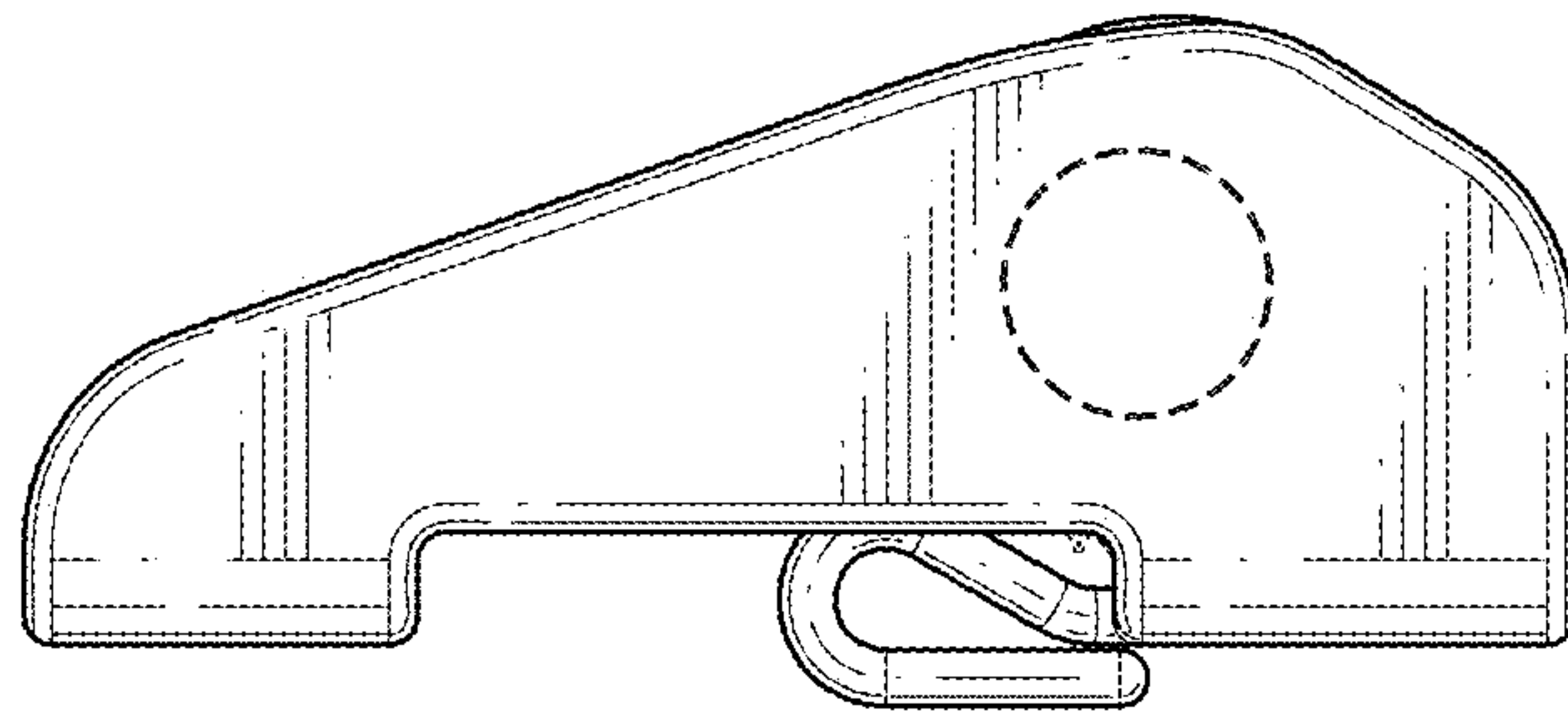


FIG. 7

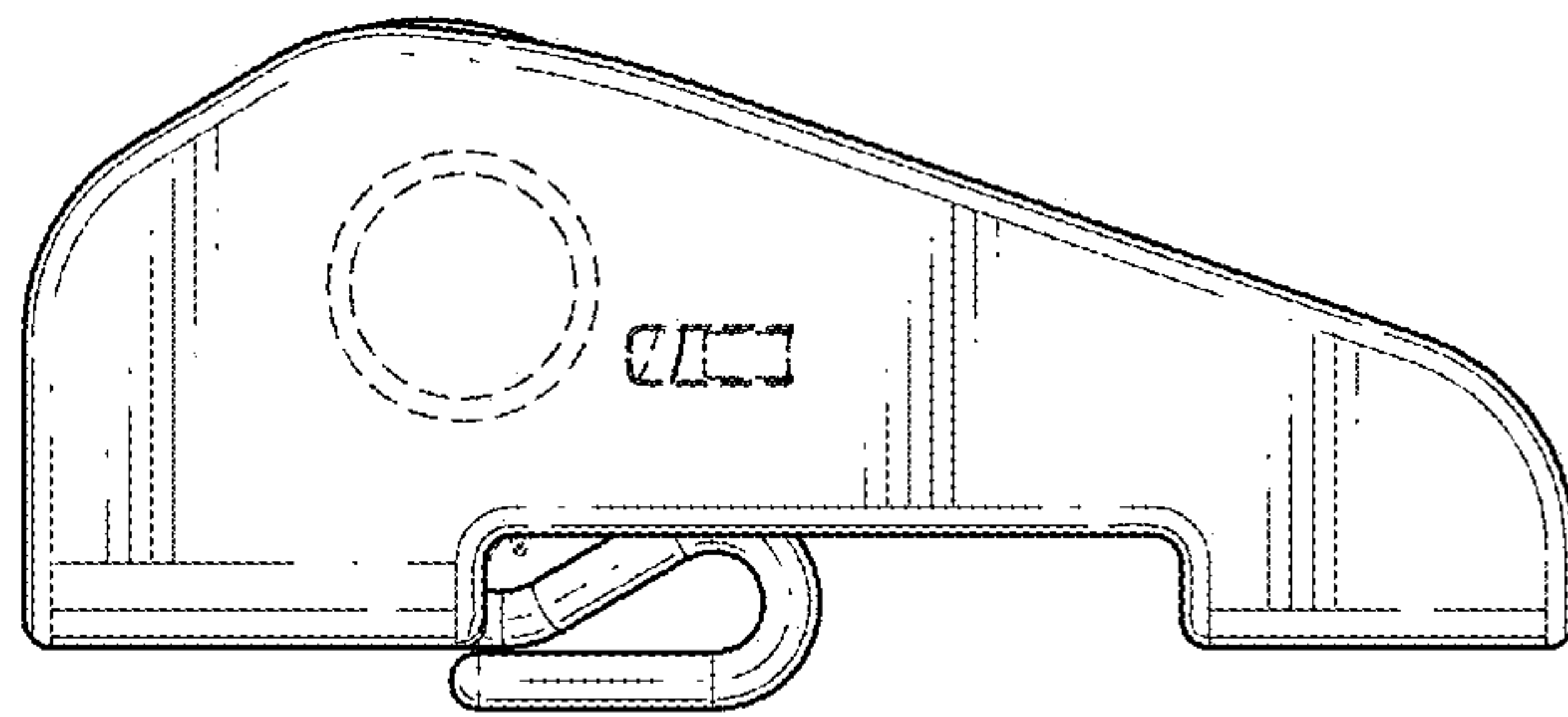


FIG. 8

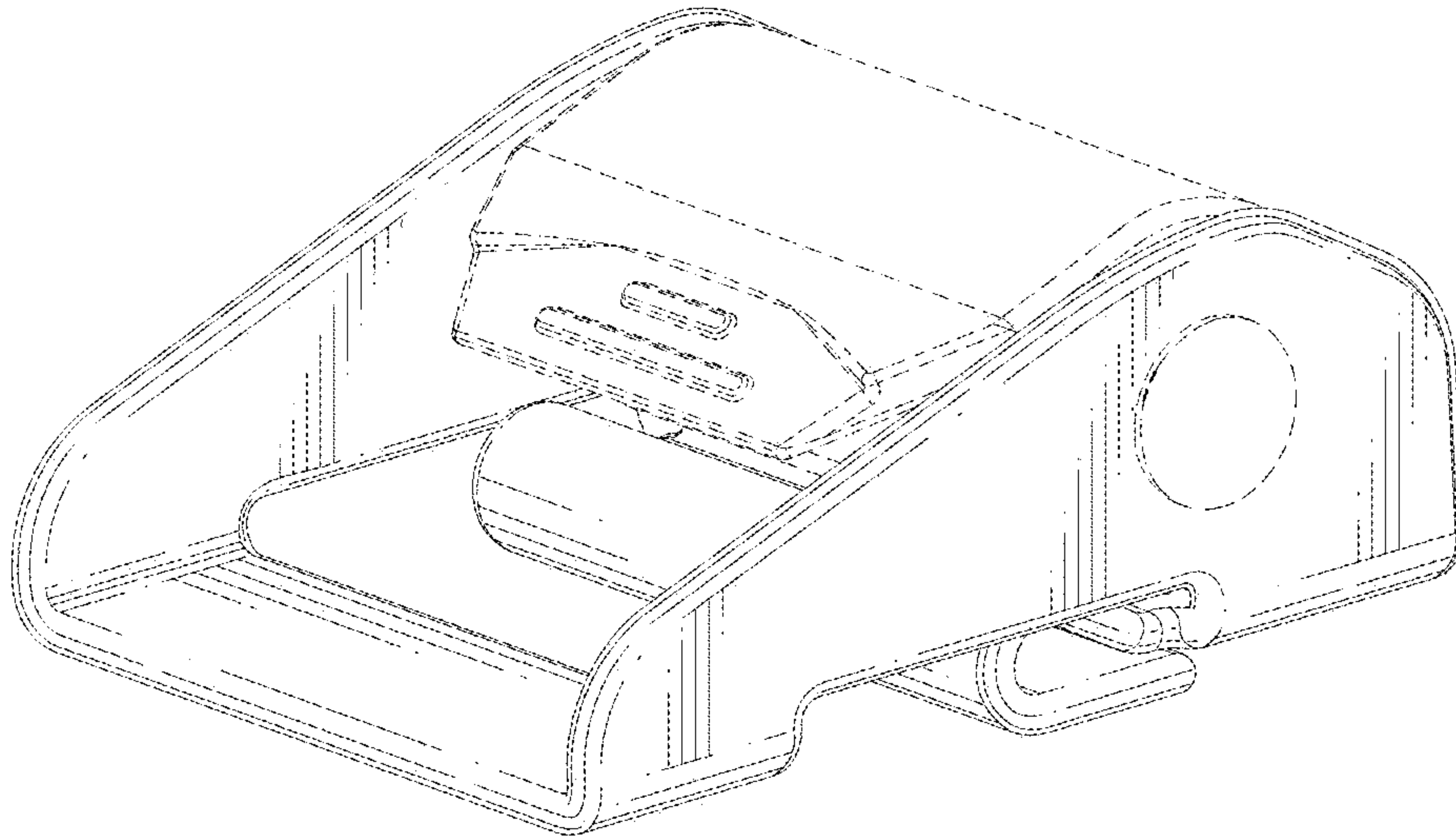


FIG. 9

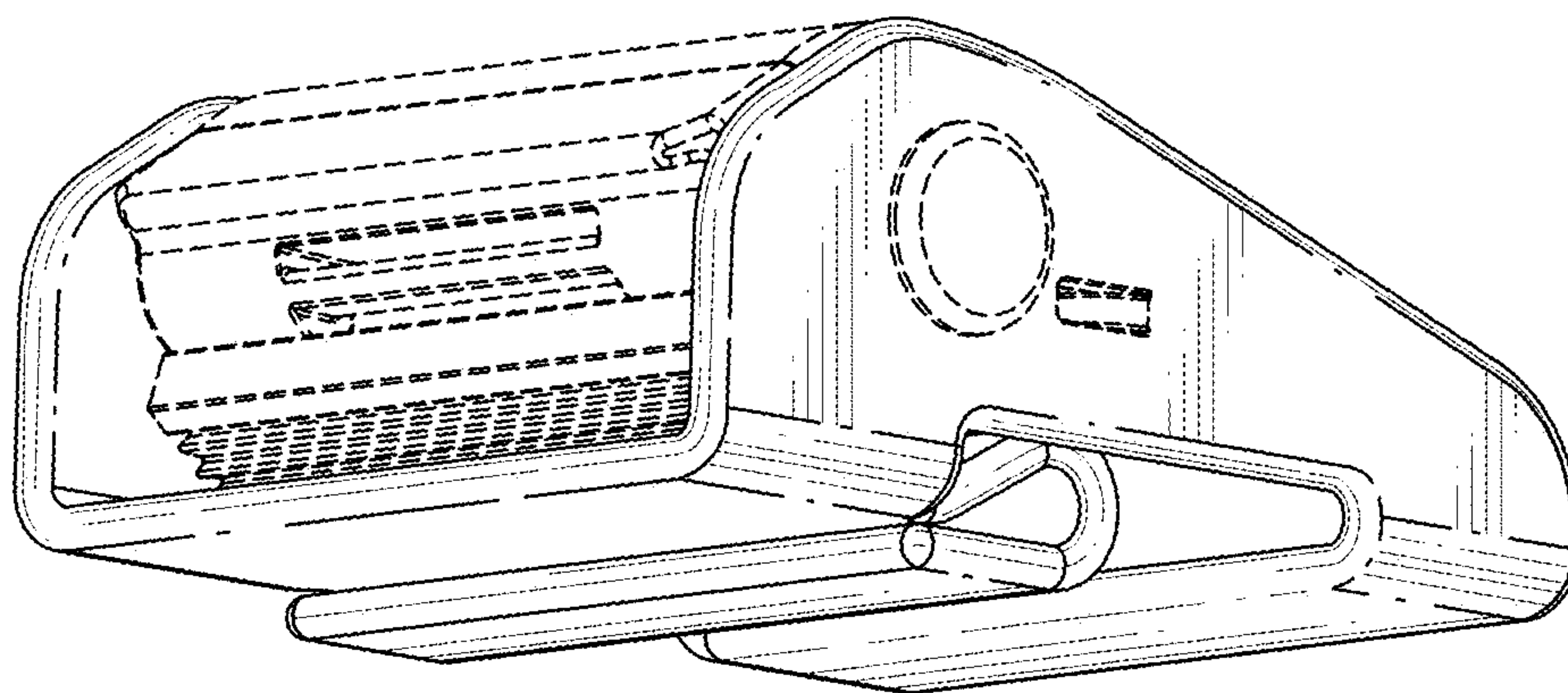


FIG. 10

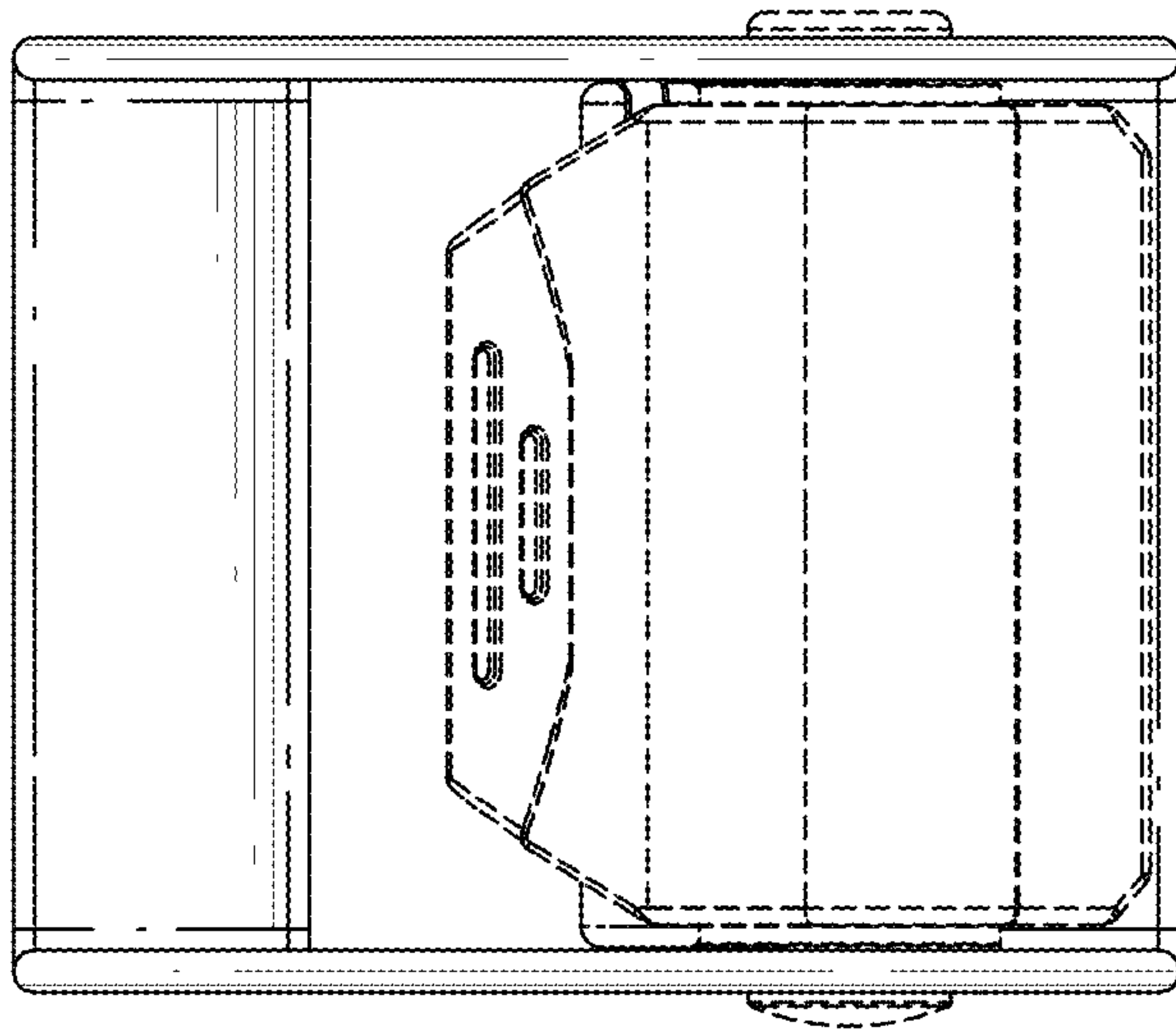


FIG. 11

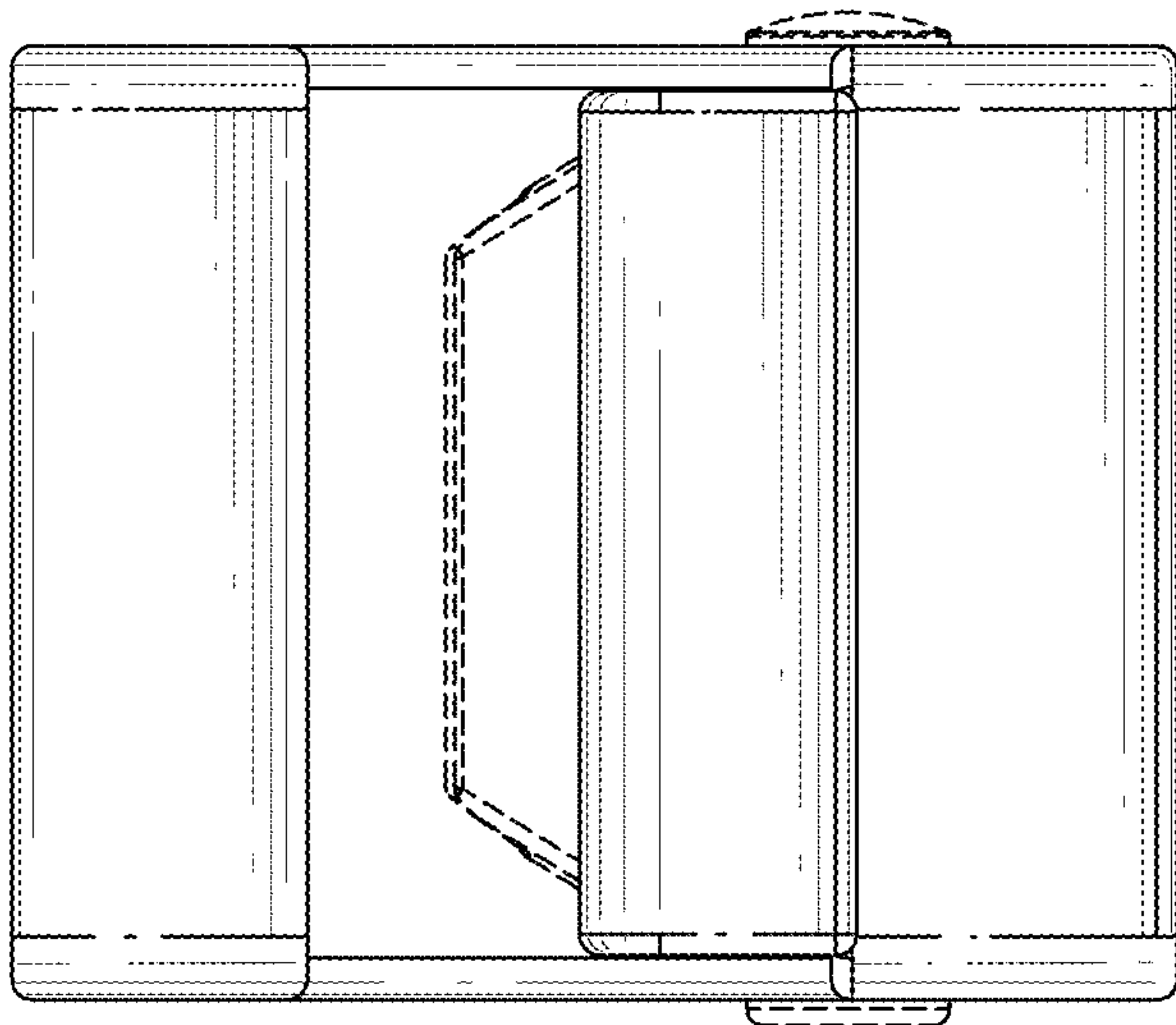


FIG. 12

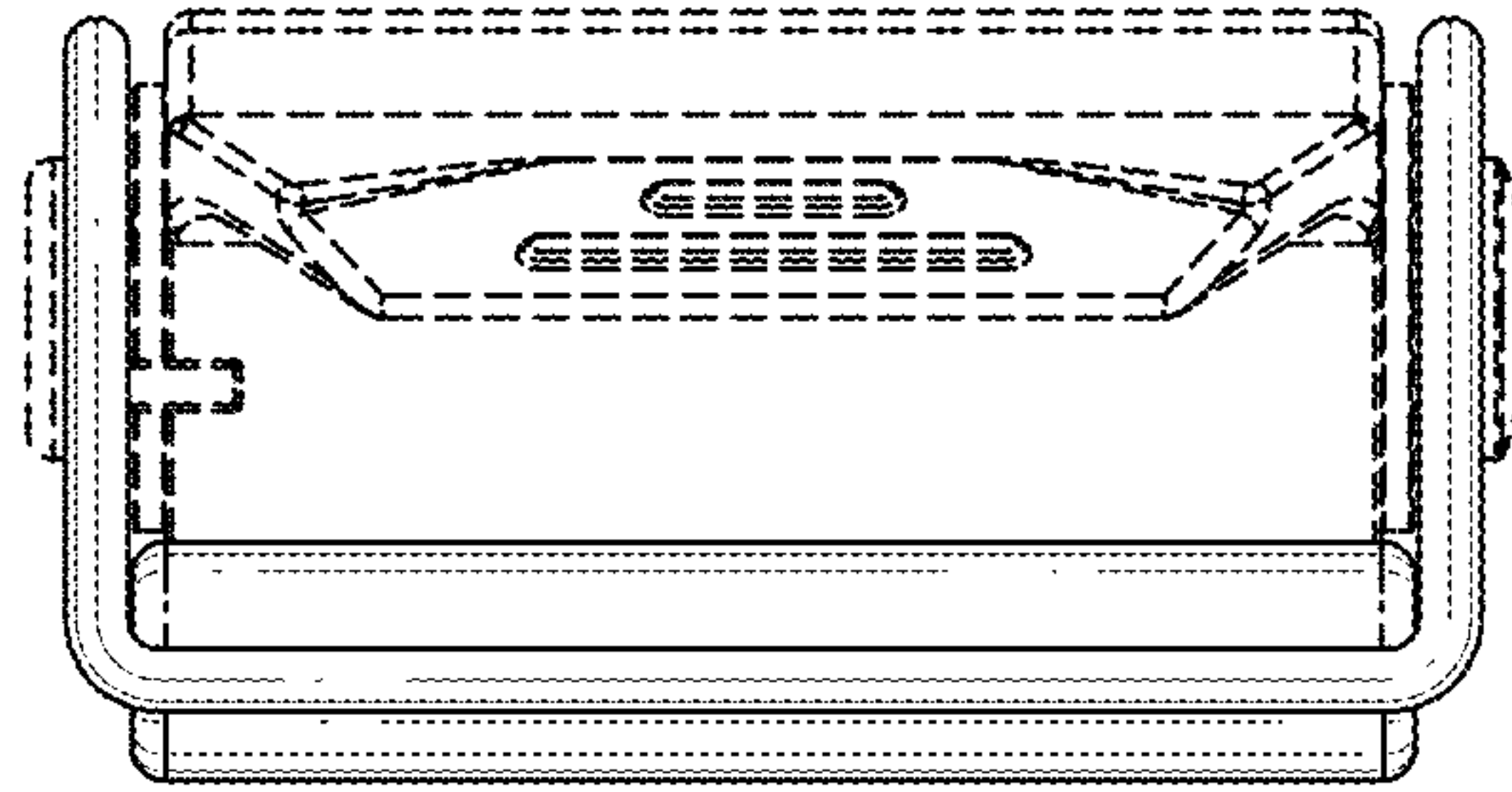


FIG. 13

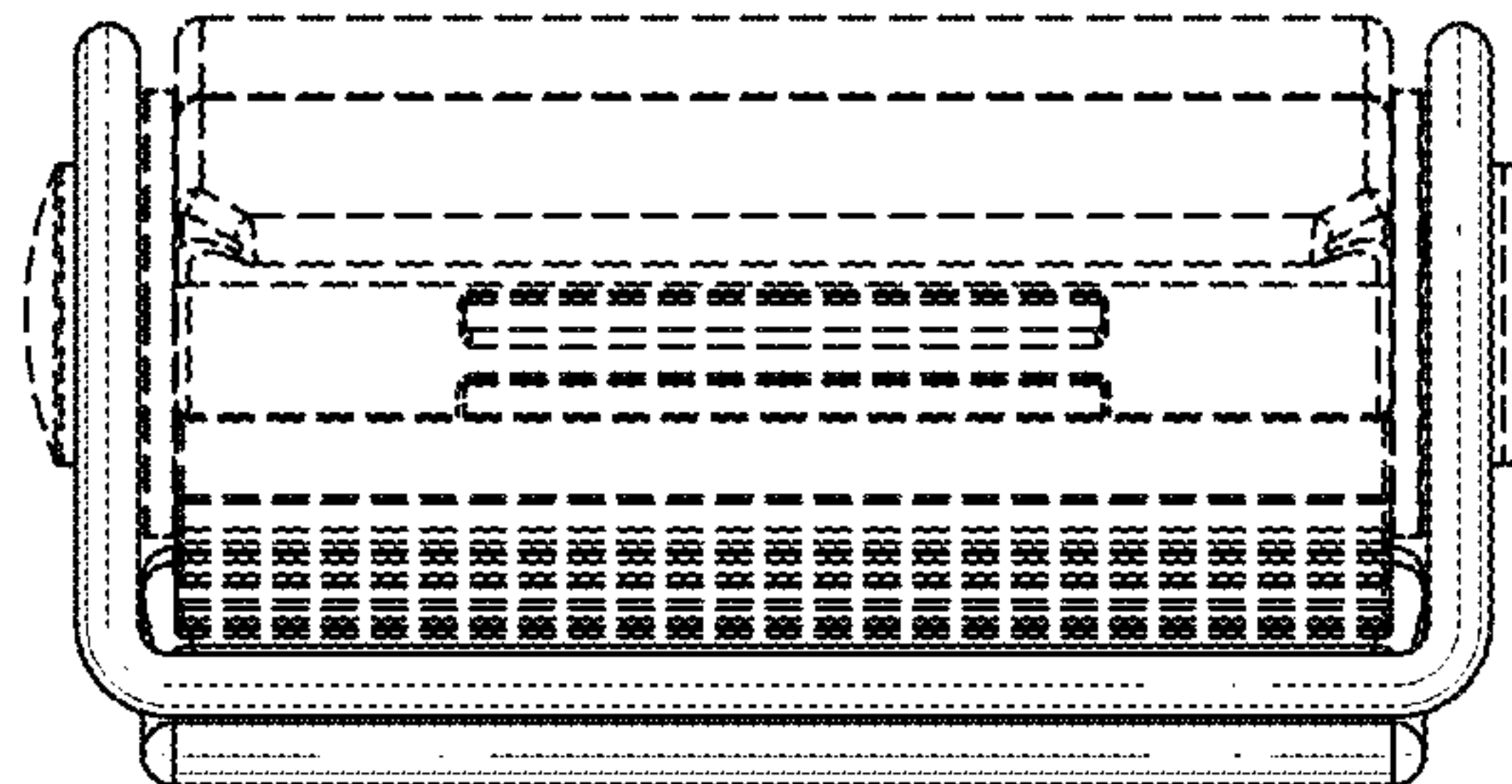


FIG. 14

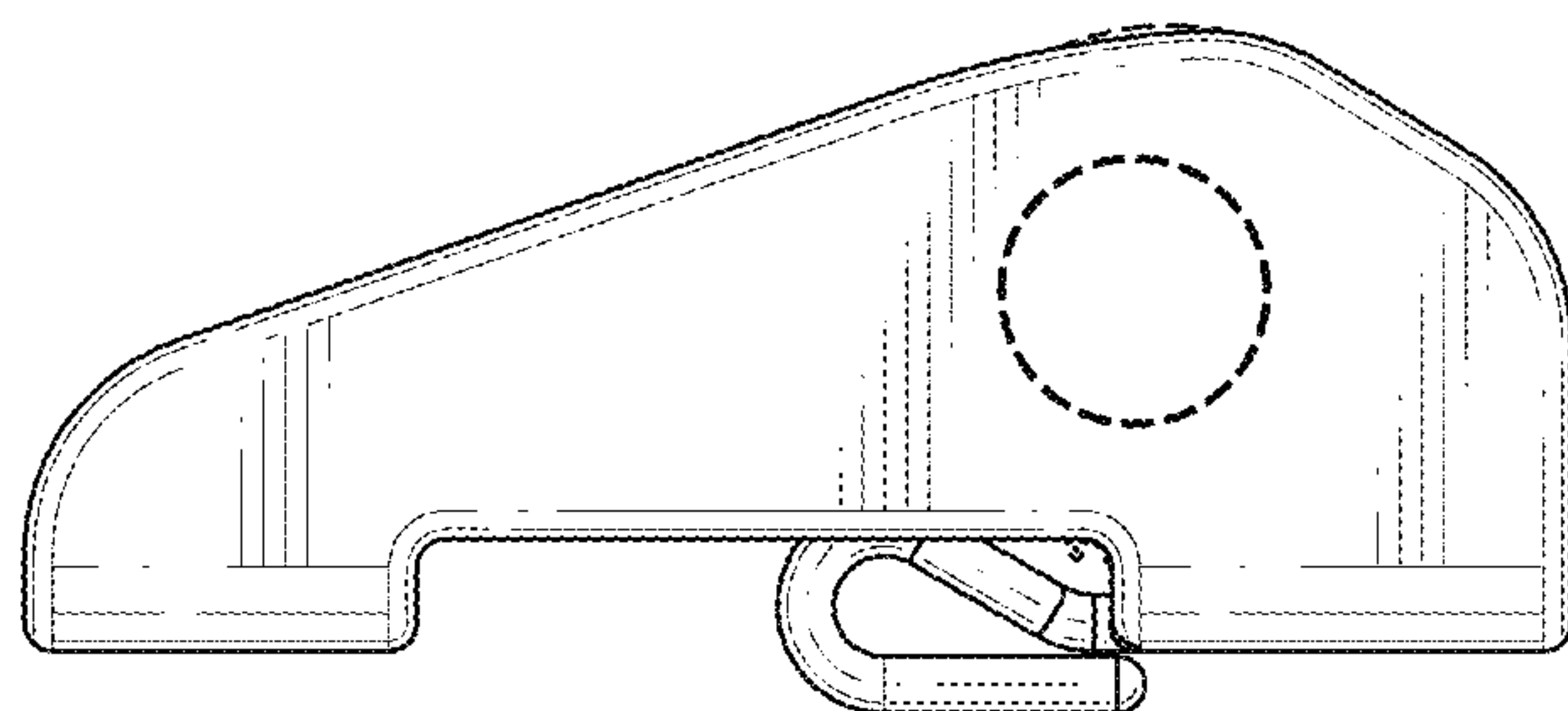


FIG. 15

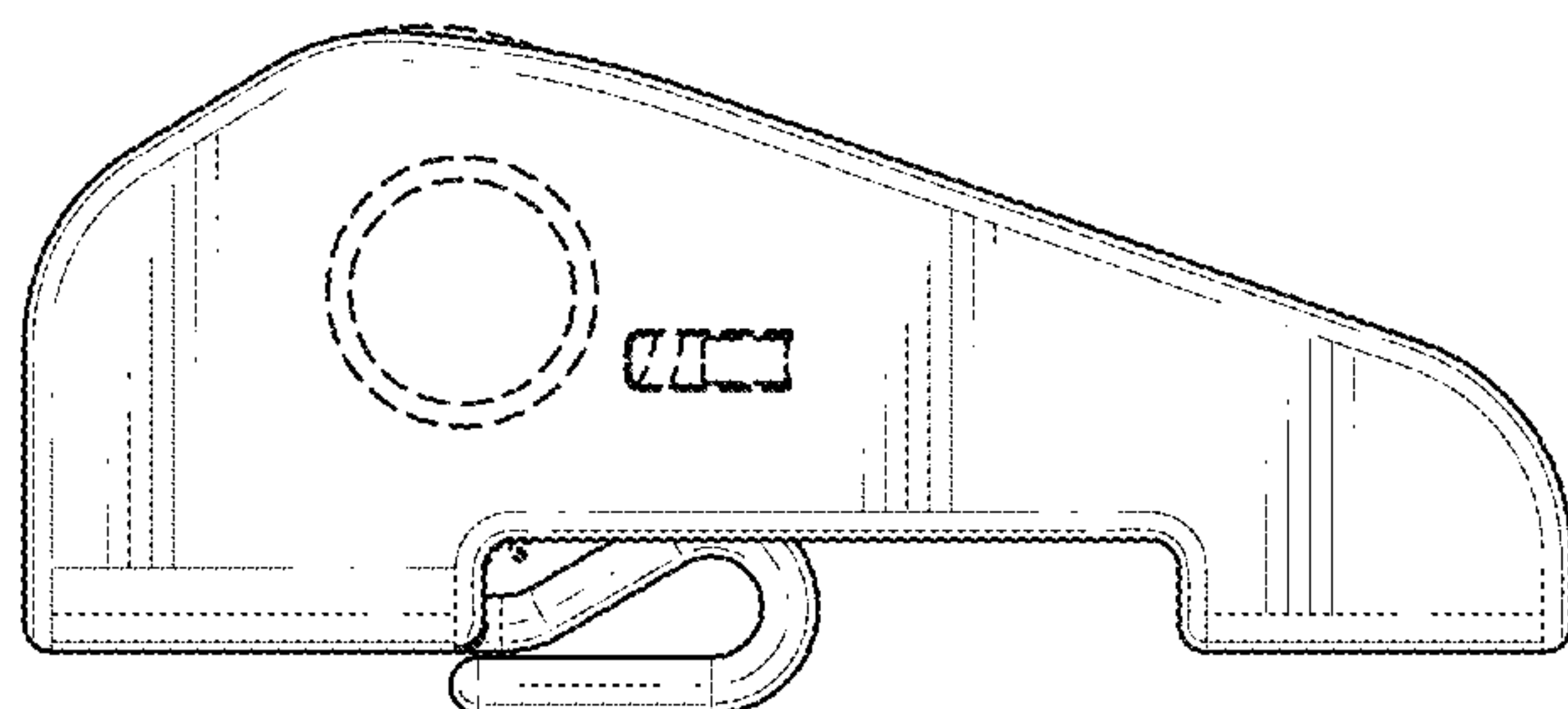


FIG. 16