



US00D781743S

(12) **United States Design Patent**
McDonald

(10) **Patent No.:** **US D781,743 S**
(45) **Date of Patent:** **** Mar. 21, 2017**

- (54) **LIGHTED DISPLAY BASE**
- (71) Applicant: **DesignPro Innovations LLC**, Stewart Manor, NY (US)
- (72) Inventor: **Patrick McDonald**, Stewart Manor, NY (US)
- (73) Assignee: **DesignPro Innovations LLC**, Stewart Manor, NY (US)
- (**) Term: **14 Years**
- (21) Appl. No.: **29/521,451**
- (22) Filed: **Mar. 24, 2015**
- (51) **LOC (10) Cl.** **11-02**
- (52) **U.S. Cl.**
USPC **D11/164**
- (58) **Field of Classification Search**
USPC D11/164, 131, 132, 143, 152, 155;
D6/300-314, 535, 672, 675, 677, 682.1;
D9/414, 415; D20/10, 27, 28; D10/2, 15,
D10/24, 125; D7/601, 602, 619.1, 624.1,
D7/323, 326, 367; D19/75
CPC A47G 1/06; A47G 1/12; A47G 1/1646;
A47G 19/2288; A47G 2001/0672; A47G
2001/0688; A47J 31/441; A47J 36/2461;
A47J 36/2466; A47J 36/2472; A47J
36/36; H05B 1/02; H05B 3/14; G09F
13/04; G09F 1/12; G07D 9/002
See application file for complete search history.

(56) **References Cited**

U.S. PATENT DOCUMENTS

- D14,126 S * 7/1883 Newell D6/311
- 899,329 A * 9/1908 Sborigi A47G 1/06
40/734
- 2,194,669 A * 3/1940 Mumford B65D 5/12
206/454
- D143,745 S * 2/1946 Miller 428/18
- D149,232 S * 4/1948 Stafford D27/126

- 4,115,938 A * 9/1978 Belmuth G09F 1/12
40/730
- 4,716,503 A * 12/1987 Chappell G09F 13/04
315/DIG. 5
- D307,676 S * 5/1990 Davis D6/310
(Continued)

OTHER PUBLICATIONS

Natural Wood, 4x4 Square Photo Frame by Tiny Mighty Frames (via Amazon), available Jul. 14, 2014, [online], [site visited Sep. 29, 2016]. Available from internet, <URL: https://www.amazon.com/Natural-Square-Photo-Frame-Black/dp/B00HQVC7JS/ref=sr_1_17?ie=UTF8&qid=1475183598&sr=8-17&keywords=square+frame.*>

(Continued)

Primary Examiner — Cathron Brooks
Assistant Examiner — Teddy Falloway
(74) *Attorney, Agent, or Firm* — Schroeder Law PC

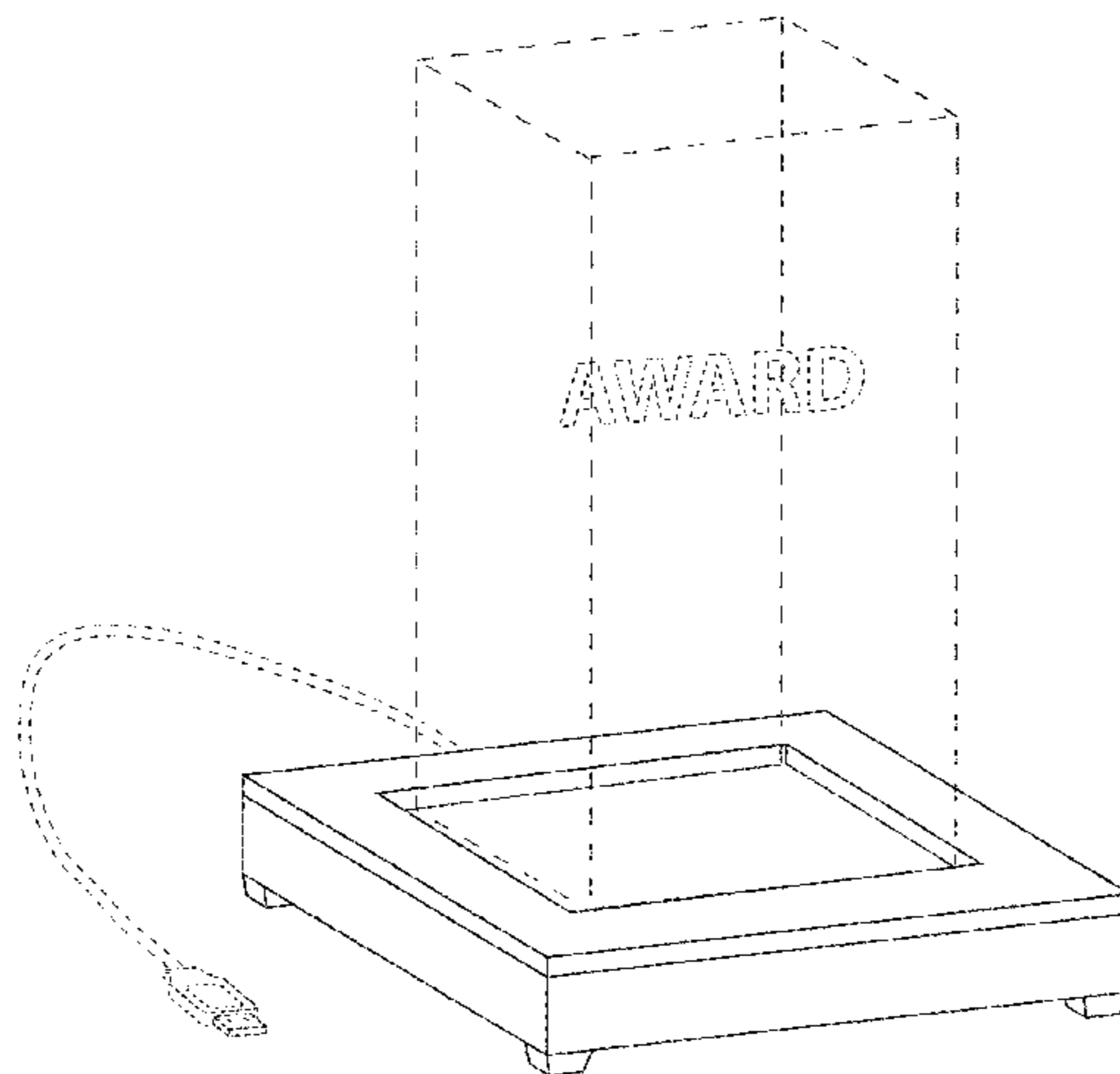
(57) **CLAIM**

The ornamental design for a lighted display base, as shown and described.

DESCRIPTION

FIG. 1 is a front perspective view of a display base showing my new design;
FIG. 2 is another front perspective view;
FIG. 3 is a top view thereof;
FIG. 4 is a rear elevation view thereof; and,
FIG. 5 is a right side elevation view, the left side elevation view being a mirror image thereof.
The broken lines shown in FIG. 1 illustrate portions of the lighted display base and environmental structure that form no part of the claimed design. The broken lines shown in FIGS. 2-5 illustrate portions of the lighted display base that form no part of the claimed design. The bottom view (not shown) forms no part of the claimed design.

1 Claim, 5 Drawing Sheets



(56)

References Cited

U.S. PATENT DOCUMENTS

D310,488 S * 9/1990 Callinan D9/418
 4,998,361 A * 3/1991 Gordon A47G 1/0616
 206/451
 D336,205 S * 6/1993 Cooper D7/624.1
 5,588,621 A * 12/1996 Collins, Jr. G06K 7/10
 235/462.43
 D399,135 S * 10/1998 Mecca D9/423
 5,845,425 A * 12/1998 Leake A47G 1/14
 40/124.06
 D424,814 S * 5/2000 Fanioudakis D6/312
 D437,490 S * 2/2001 Vincent D6/302
 D443,147 S * 6/2001 Vincent D6/300
 6,349,494 B1 * 2/2002 Haggarty-Robbins ... G09F 1/12
 312/319.1
 D492,079 S * 6/2004 Feltman D99/5
 D543,364 S * 5/2007 Fleischer D6/300
 D587,463 S * 3/2009 Franco D6/300
 D591,957 S * 5/2009 Lee D6/300
 D606,761 S * 12/2009 Quinn D6/302
 D610,813 S * 3/2010 Bennett D6/300
 D617,995 S * 6/2010 Zhang D6/308

8,074,390 B2 * 12/2011 Rain A47G 1/06
 40/721
 D653,088 S * 1/2012 Hansen D7/624.1
 D654,703 S * 2/2012 LeMay D6/300
 8,595,969 B1 * 12/2013 Wheelis A47F 3/005
 206/777

OTHER PUBLICATIONS

4x4 Solid Wood Picture Frame by Rustic and Refined Design (via Amazon), available May 2, 2012, [online], [site visited Sep. 29, 2016]. Available from internet, <URL: https://www.amazon.com/gp/product/B007R4YF76/ref=pd_sim_201_8?ie=UTF8&psc=1&refRID=106XH0XJFA9GEGWGD29T>.*
 Cut-Out Trophy Boxes (via H.A.L. Woodworking), available Jun. 18, 2012, [online], [site visited Sep. 29, 2016]. Available from internet, <URL: <http://www.halwoodworking.com/cut-out-bases.asp>>.*
 Recess Square Coffee Table (via Jason Lees Design), available Jan. 18, 2015, [online], [site visited Sep. 30, 2016]. Available from internet, <URL: <http://www.jasonleesdesign.com/coffee-tables/>>.*

* cited by examiner

Figure 1

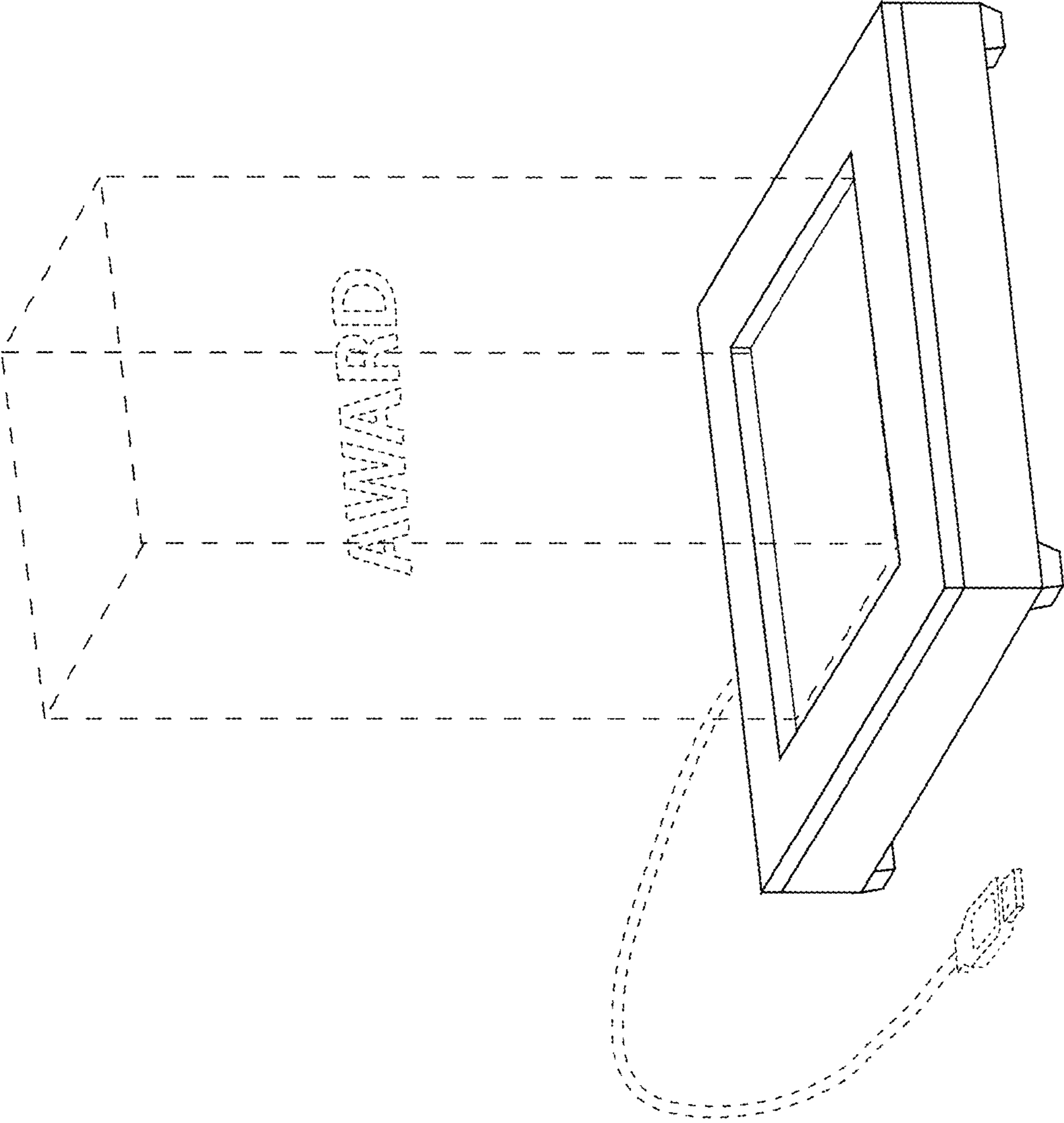


Figure 2

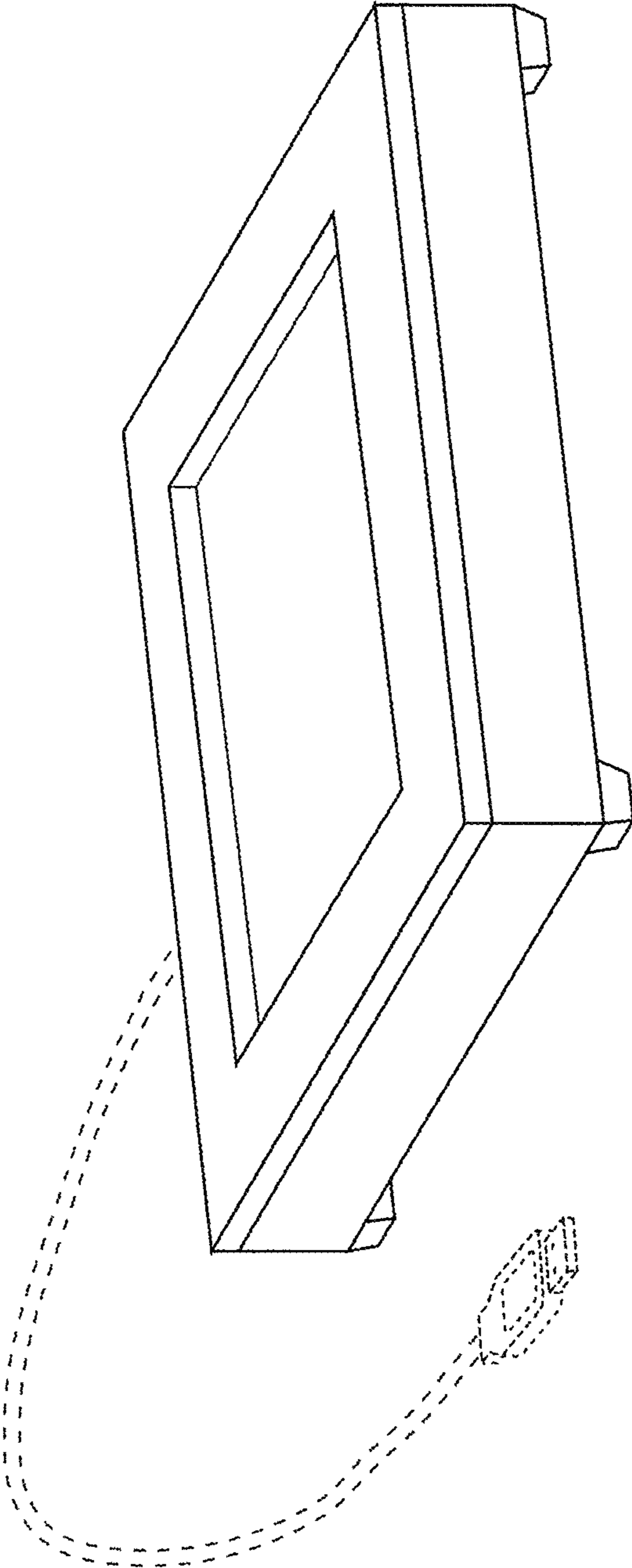


Figure 3

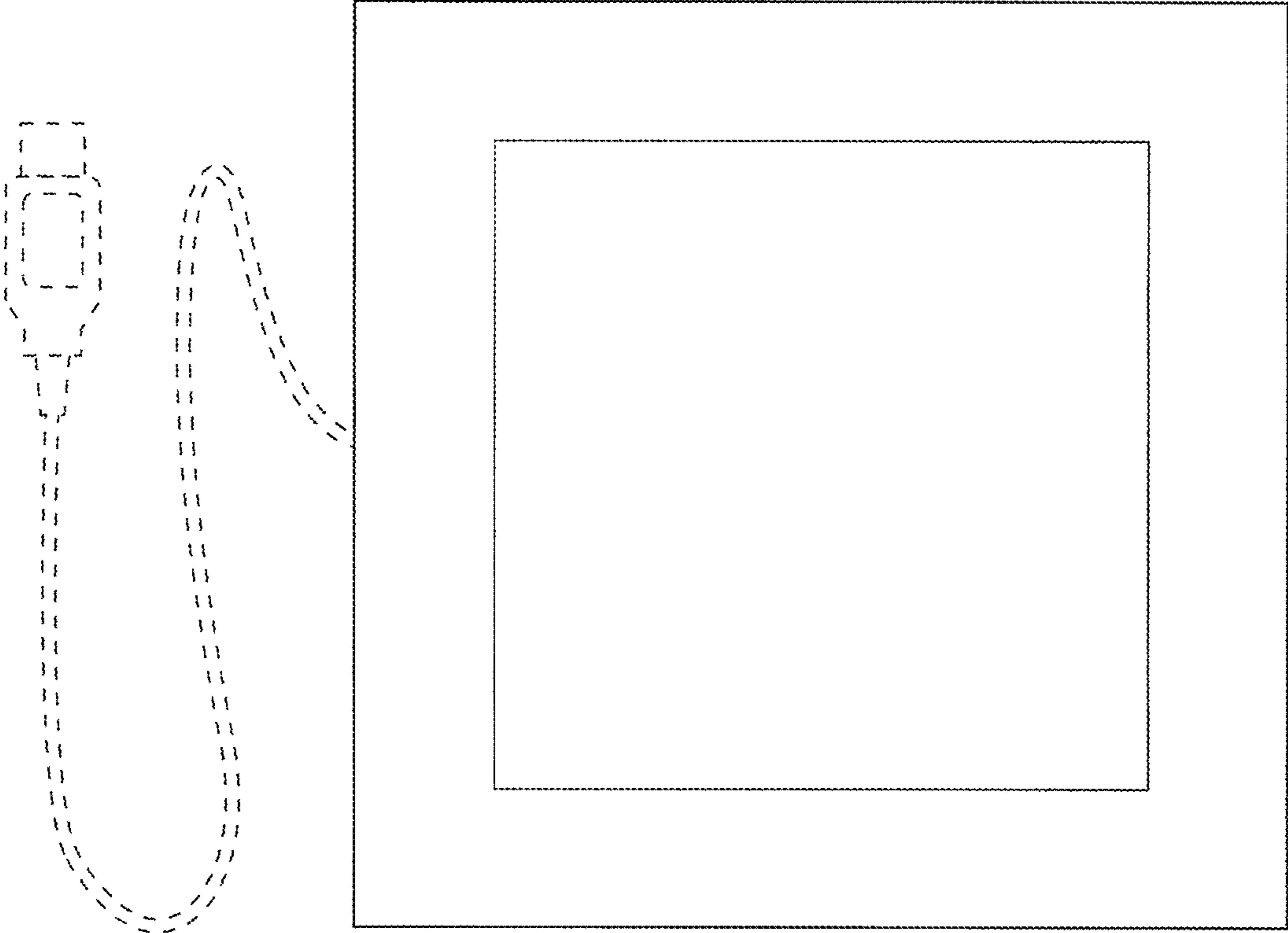


Figure 4

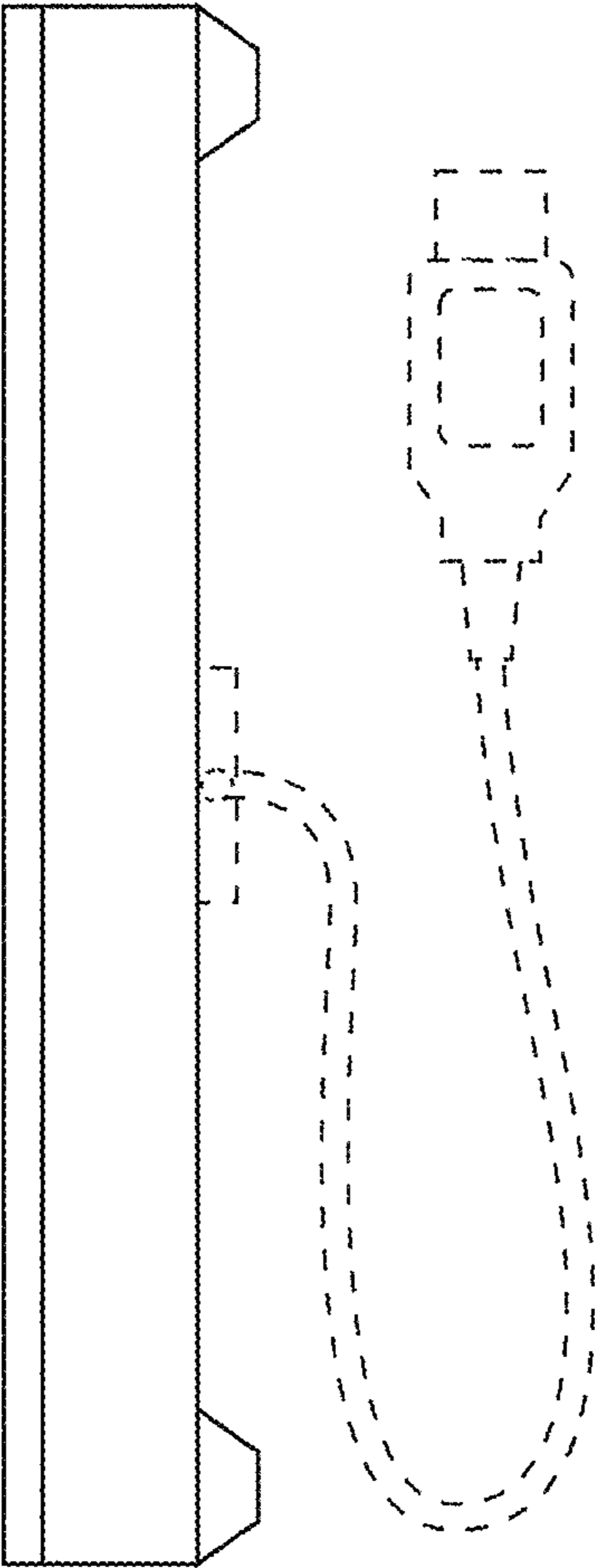


Figure 5

