



US00D781742S

(12) **United States Design Patent**
Rafaelian

(10) **Patent No.:** **US D781,742 S**
(45) **Date of Patent:** **** Mar. 21, 2017**

(54) **SLIDER FOR ARTICLE OF JEWELRY**

FOREIGN PATENT DOCUMENTS

(71) Applicant: **Alex & Ani, LLC**, Cranston, RI (US)

CA 160435 S 3/2016
GB 2 122 873 A 1/1984

(72) Inventor: **Carolyn A. Rafaelian**, Cranston, RI (US)

(Continued)

(73) Assignee: **Alex and Ani, LLC**, Cranston, RI (US)

OTHER PUBLICATIONS

(**) Term: **14 Years**

<http://www.rings-things.com/blog/2011/06/23-how-to-make-a-sliding-adjustable-necklace> (Last accessed Dec. 12, 2014).

(21) Appl. No.: **29/511,632**

(Continued)

(22) Filed: **Dec. 12, 2014**

Primary Examiner — Zenia Bennett

(51) **LOC (10) Cl.** **11-01**

(74) *Attorney, Agent, or Firm* — Wolf, Greenfield & Sacks, P.C.

(52) **U.S. Cl.**

(57) **CLAIM**

USPC **D11/87**

The ornamental design for a slider for article of jewelry, as shown and described.

(58) **Field of Classification Search**

DESCRIPTION

USPC D11/1-2, 7, 40-44, 46-49, 53, 56, 57,
D11/59-61, 63, 65, 79-83, 86-87, 89-90,
D11/91-92, 99, 101, 106, 114-116,
D11/200-201; 63/18-20

FIG. 1 is a perspective view of an embodiment of the slider for article of jewelry of the subject disclosure;
FIG. 2 is a right side view of the slider for article of jewelry of FIG. 1;
FIG. 3 is a left side view of the slider for article of jewelry of FIG. 1;
FIG. 4 is a front plan view of the slider for article of jewelry of FIG. 1;
FIG. 5 is a rear plan view of the slider for article of jewelry of FIG. 1;
FIG. 6 is a bottom plan view of the slider for article of jewelry of FIG. 1; and,
FIG. 7 is a top plan view of the slider for article of jewelry of FIG. 1.

CPC A44C 5/02

See application file for complete search history.

The broken lines shown in the drawings do not form part of the claimed design.

The broken lines in FIGS. 1 and 7 depicting the word INDICIA do not form part of the claimed design.

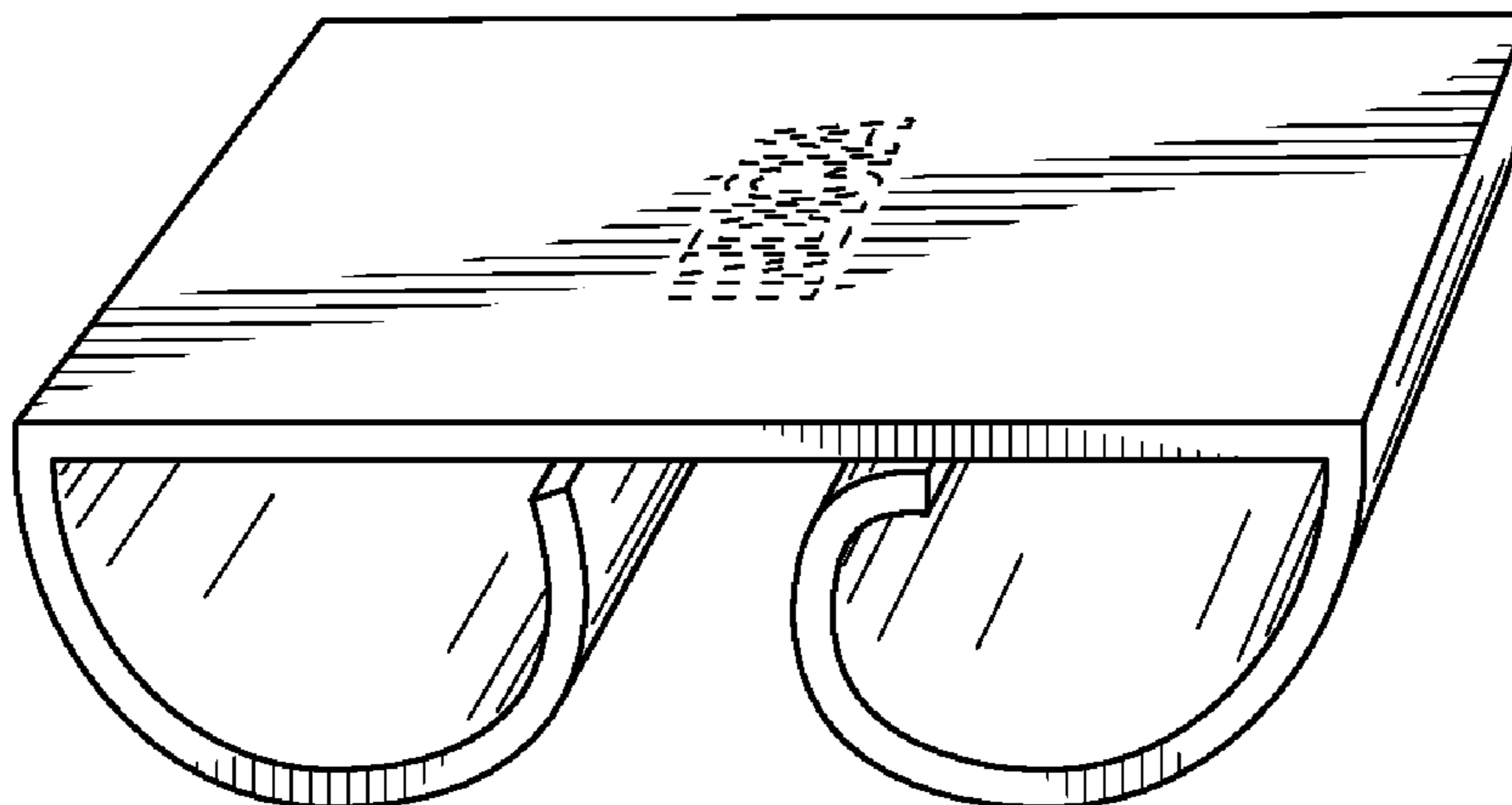
(56) **References Cited**

U.S. PATENT DOCUMENTS

434,220 A	8/1890	Whitney	
895,078 A	8/1908	Doppenschmitt	
993,303 A	5/1911	Kirby	
1,689,251 A	10/1928	Ogush	
1,708,470 A	4/1929	Eckert et al.	
2,263,956 A *	11/1941	Russell B60R 7/084 221/46
2,325,712 A *	8/1943	Shurmur A47J 47/16 211/85.18
2,484,200 A	10/1949	Werntz	

(Continued)

1 Claim, 3 Drawing Sheets



(56)

References Cited

U.S. PATENT DOCUMENTS

2,492,393 A 12/1949 Muray
 2,637,884 A 5/1953 Morehouse
 3,217,514 A 11/1965 Newman
 3,675,277 A 7/1972 Day
 3,837,608 A * 9/1974 Simon B60R 7/084
 248/205.3
 4,334,413 A 6/1982 Gaston et al.
 4,499,634 A 2/1985 Zimmardi
 D305,611 S * 1/1990 Herzog D8/395
 5,307,582 A * 5/1994 Quintel A01K 27/001
 224/183
 6,170,250 B1 1/2001 Hara et al.
 6,641,100 B2 * 11/2003 Furukawa A47K 10/18
 248/216.1
 D522,351 S * 6/2006 Taylor D24/110
 D664,466 S 7/2012 Rafaelian
 D678,102 S 3/2013 Rafaelian
 8,590,341 B2 * 11/2013 MacMaster A44C 15/001
 132/273
 D700,860 S 3/2014 Nadeau
 D703,088 S 4/2014 Fiasconaro
 D704,085 S * 5/2014 DiPietro D11/5
 D707,149 S 6/2014 Ovadia
 D716,175 S 10/2014 Rosenel
 D724,470 S 3/2015 Rafaelian
 D724,471 S 3/2015 Blondet
 D724,475 S 3/2015 Lux
 9,301,580 B1 4/2016 Rafaelian
 D759,532 S 6/2016 Mazza
 2006/0000116 A1 1/2006 Brewer
 2008/0245048 A1 10/2008 Moore

2011/0314866 A1 12/2011 Niikura
 2014/0090215 A1 4/2014 Lixenberg
 2015/0320152 A1 11/2015 Rafaelian

FOREIGN PATENT DOCUMENTS

JP D1177437 S 6/2003
 JP D1268404 S 4/2006
 JP 1467955 S 7/2013
 JP 1467957 S 7/2013
 JP D1496501 S 5/2014
 KR 3008138520000 9/2005

OTHER PUBLICATIONS

<http://www.icecarats.com/Sterling-Silver-Black-Leather-Expandable-Cord-Bracelet-312709> (Last accessed Dec. 12, 2014).
 [No Author Listed] Sterling Silver Claddagh Baby Childrens Bracelet Expandable 6.5 in. BlingJewelry.com http://www.blingjewelry.com/bling-jewelry-sterling-silver-claddagh-baby-childrens-bangle-bracelet-expandable.html?gclid=CjwKEAjwns6hBRDTpb_jkbTvIUYSJACBhberDYKsTmUeeL1zKQhqmXJpCt5R0-FaU0vmR0fdty1GSrBoCwDPw_wcB [Accessed Aug. 5, 2016]. 3 pages.
 [No Author Listed] Sterling Silver Claddagh Baby Childrens Bracelet Expandable 6.5 in. http://www.blingjewelry.com/bling-jewelry-sterling-silver-claddagh-baby-childrens-bangle-bracelet-expandable.html?gclid=CjwKEAjwns6hBRDTpb_jkbTvIUYSJACBhberDYKsTmUeeL1zKQhqmXJpCt5R0-FaU0vmR0fdty1GSrBoCwDPw_wcB [Accessed at least as early as Aug. 10, 2015]. 1 page.

* cited by examiner

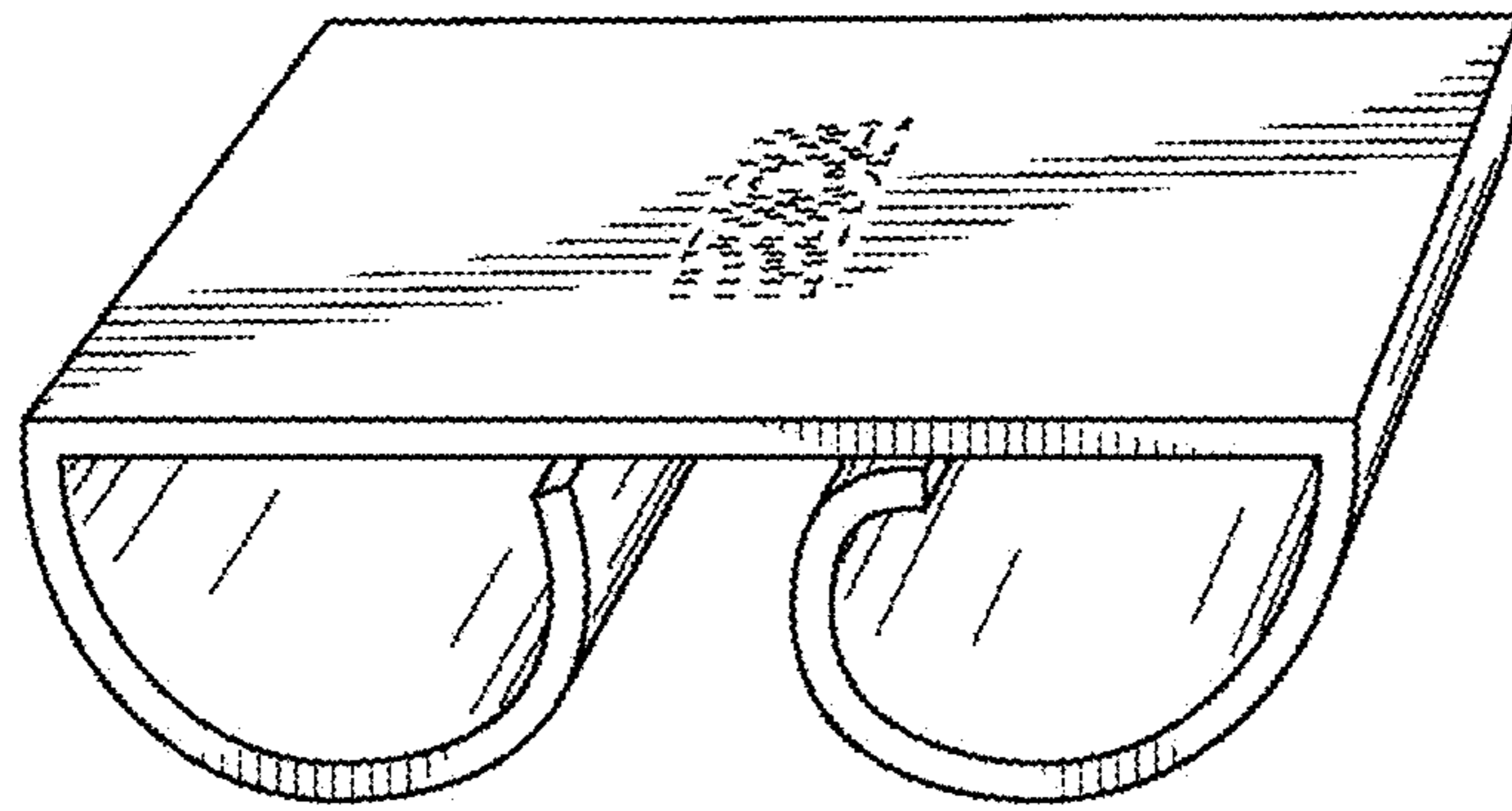


FIG. 1

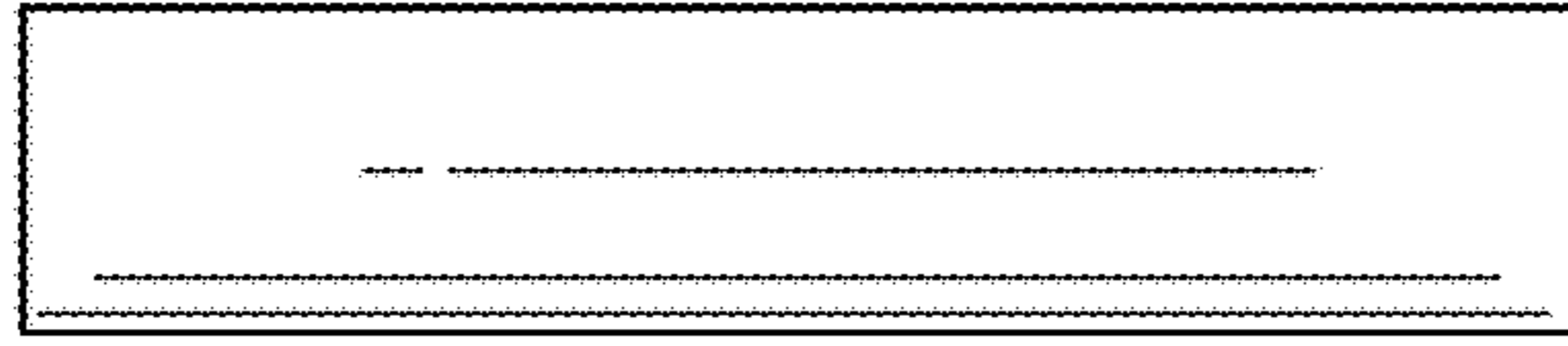


FIG. 2

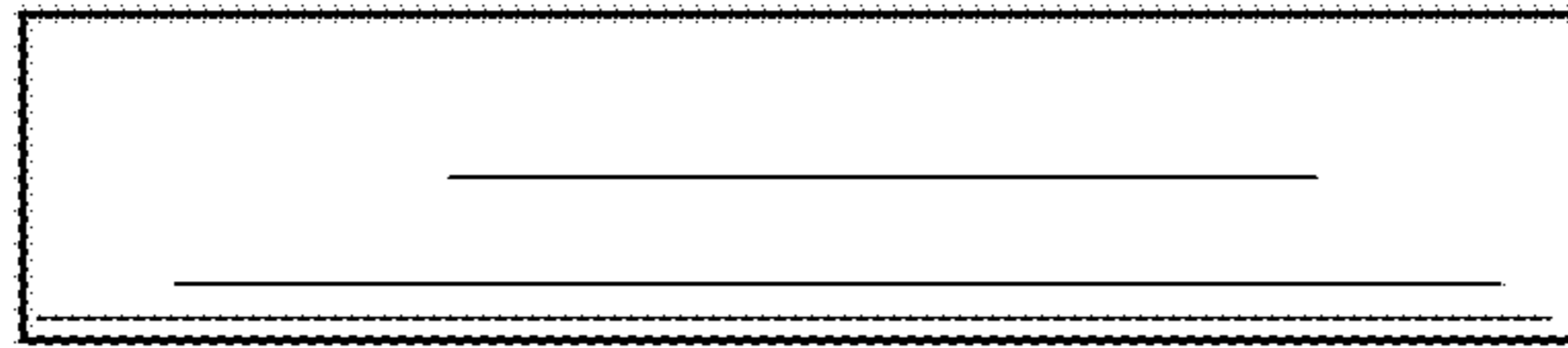


FIG. 3

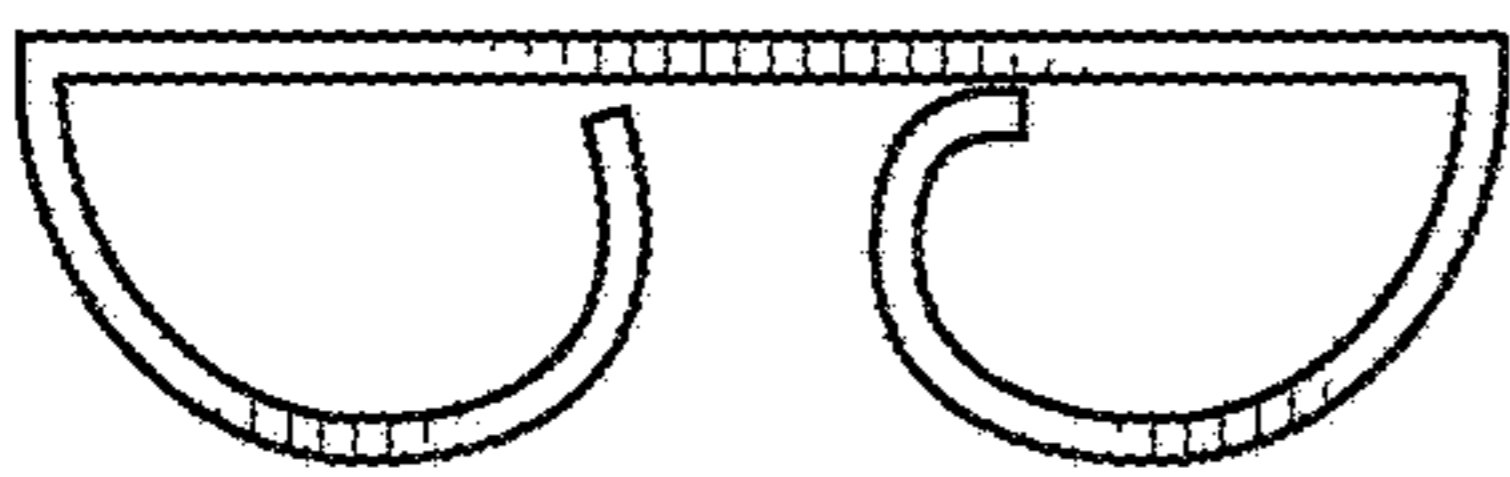


FIG. 4

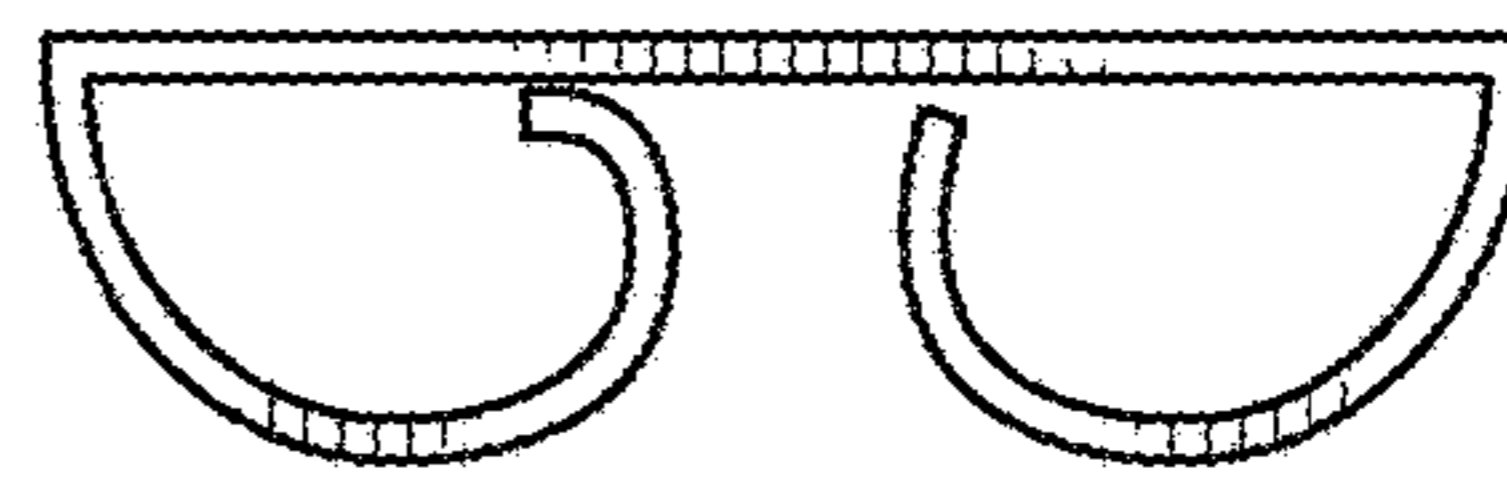


FIG. 5

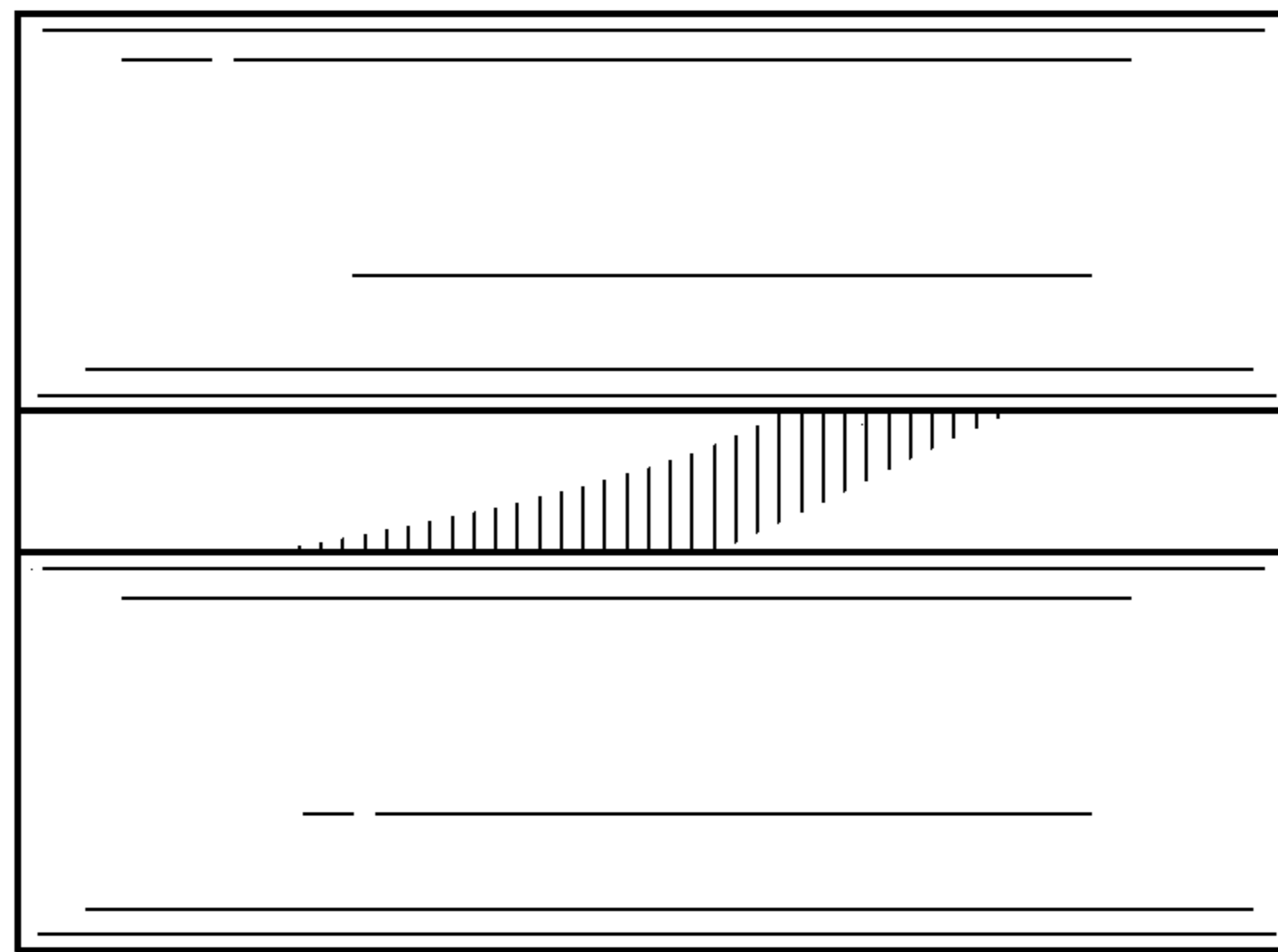


FIG. 6

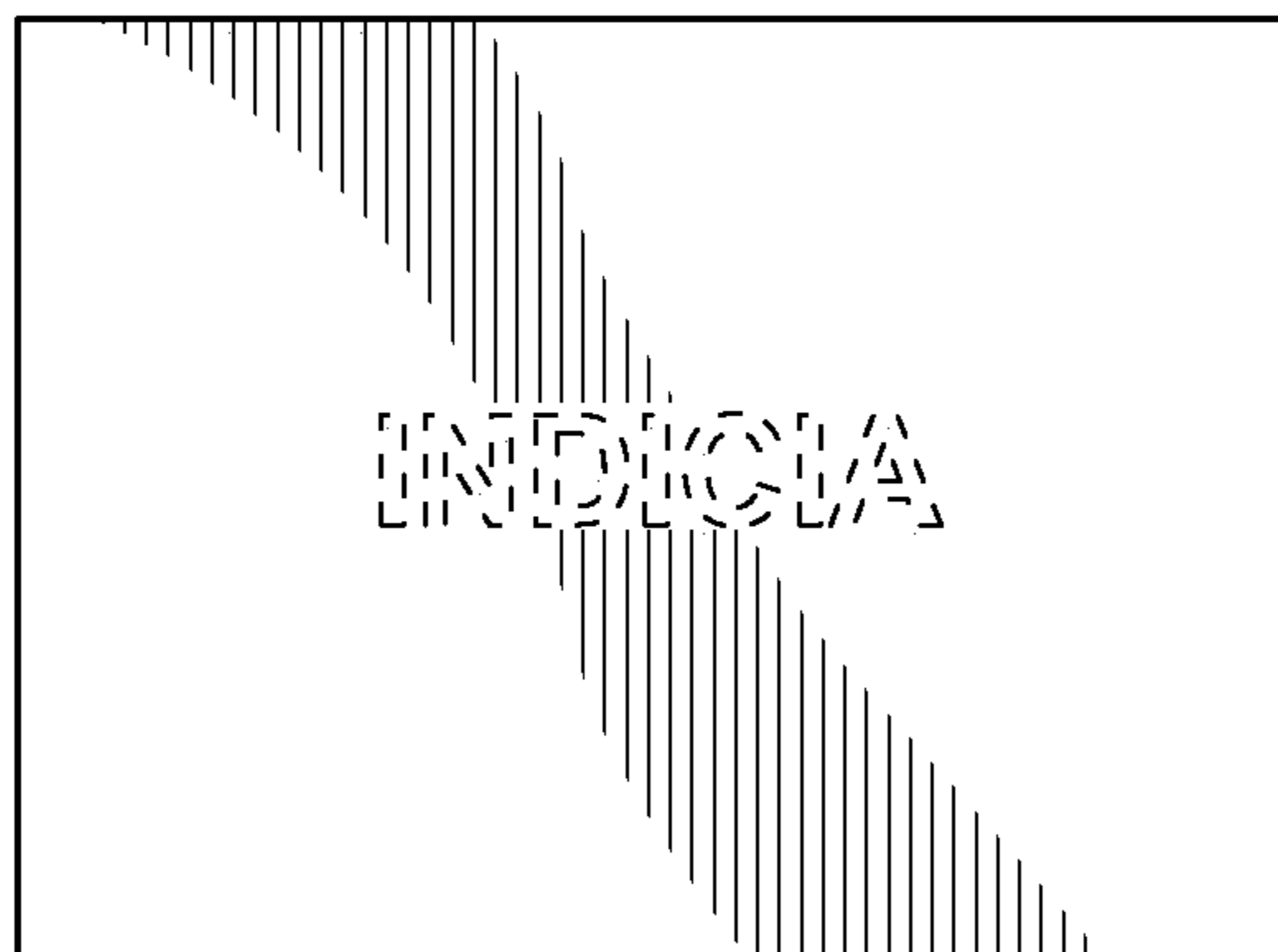


FIG. 7