



US00D781738S

(12) **United States Design Patent**
Lee et al.

(10) **Patent No.: US D781,738 S**
(45) **Date of Patent: ** Mar. 21, 2017**

(54) **BAND FOR WEARABLE DEVICE**
(71) Applicant: **LG ELECTRONICS INC.**, Seoul (KR)
(72) Inventors: **Sangho Lee**, Seoul (KR); **Dana Jung**, Seoul (KR); **Jinju Kim**, Seoul (KR); **Jiwoon Kim**, Seoul (KR); **Sunggu Joe**, Seoul (KR)

5,638,342 A * 6/1997 Kartsotis G04B 37/005
224/171
D387,678 S * 12/1997 Yamamoto D10/30
D387,680 S * 12/1997 Hanagata D10/30
D395,404 S * 6/1998 Hanagata D10/30
D401,162 S * 11/1998 Ishizaka D10/30
D419,101 S * 1/2000 Myers D10/132
D438,811 S * 3/2001 Iwamoto D10/132
D651,929 S * 1/2012 Bertucci D10/132

* cited by examiner

(73) Assignee: **LG ELECTRONICS INC.**, Seoul (KR)

Primary Examiner — Sandra Snapp

(**) Term: **15 Years**

(74) *Attorney, Agent, or Firm* — Birch, Stewart, Kolasch & Birch, LLP

(21) Appl. No.: **29/534,171**

(22) Filed: **Jul. 27, 2015**

(57) **CLAIM**

(30) **Foreign Application Priority Data**

The ornamental design for a band for wearable device, as shown and described.

Jan. 28, 2015 (KR) 30-2015-0004699

(51) **LOC (10) Cl.** **10-07**

(52) **U.S. Cl.**
USPC **D10/132**

(58) **Field of Classification Search**
USPC D10/1-41, 122-132; D14/344, 138 R
CPC G04B 19/00; G04B 19/06; G04B 19/08;
G04B 19/10; G04B 19/108; G04B 19/22;
G04B 19/26; G04B 19/262; G04B 37/00;
G04B 37/081; G04B 37/084; G04B
37/05; G04B 37/10; G04B 37/1446;
G04B 37/1466; G08B 25/016; G04G
17/00; G04G 17/08; G04D 7/12; G04D
7/1214

See application file for complete search history.

DESCRIPTION

FIG. 1 is a bottom perspective view of a band for wearable device showing our new design;
FIG. 2 is a front view thereof where the rear view is a mirror image;
FIG. 3 is a left side view thereof where the right side view is a mirror image;
FIG. 4 is a top plan view thereof;
FIG. 5 is a bottom plan view thereof; and,
FIG. 6 is a reference perspective view thereof showing the subject design attached to a wearable device.
The broken lines depict portions of the band for wearable device that form no part of the claimed design.

(56) **References Cited**

U.S. PATENT DOCUMENTS

2,601,942 A * 7/1952 Pachter G04B 37/005
224/171
D292,678 S * 11/1987 Takeichi D10/132
D310,049 S * 8/1990 Hartman D10/132

1 Claim, 6 Drawing Sheets

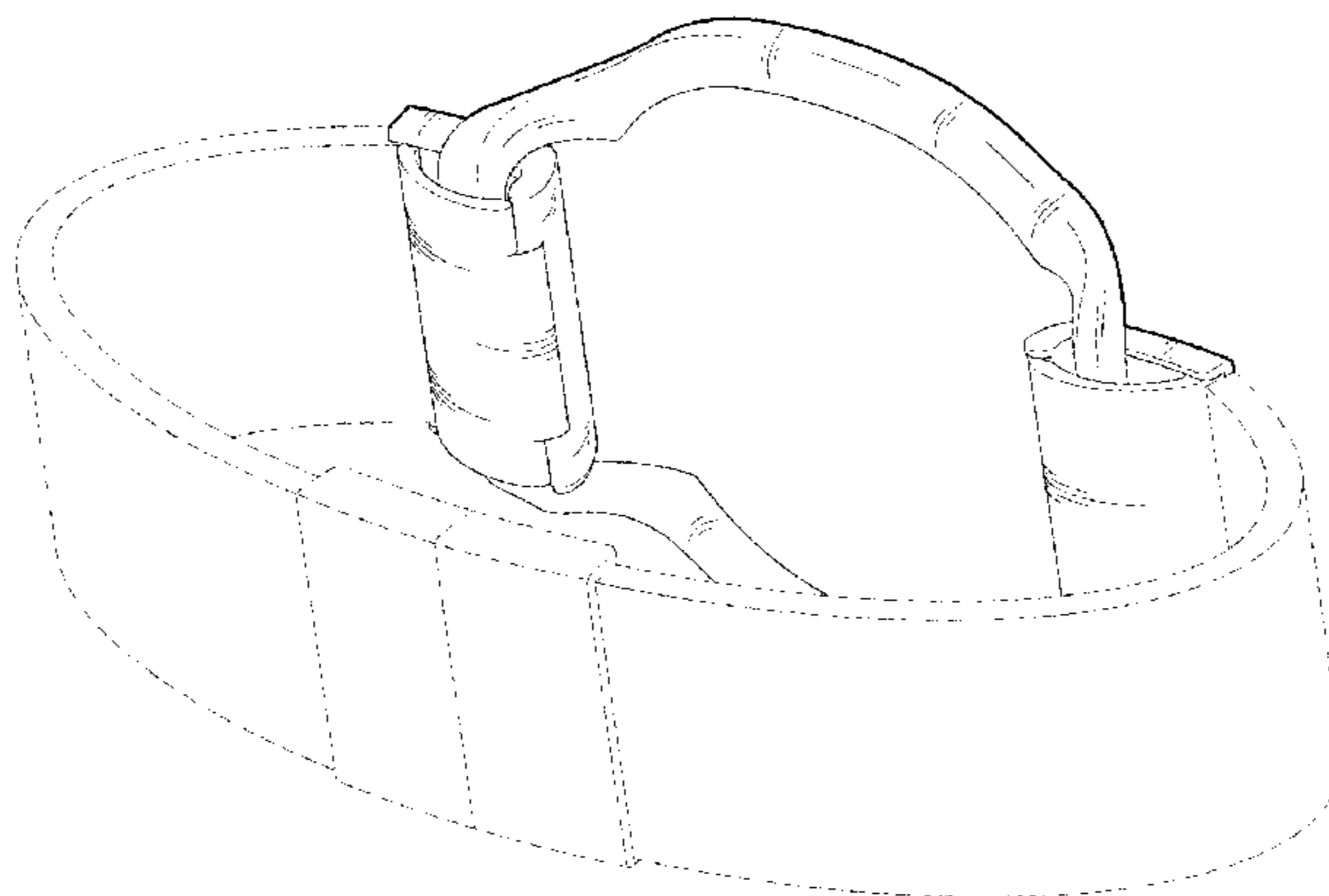


FIG. 1

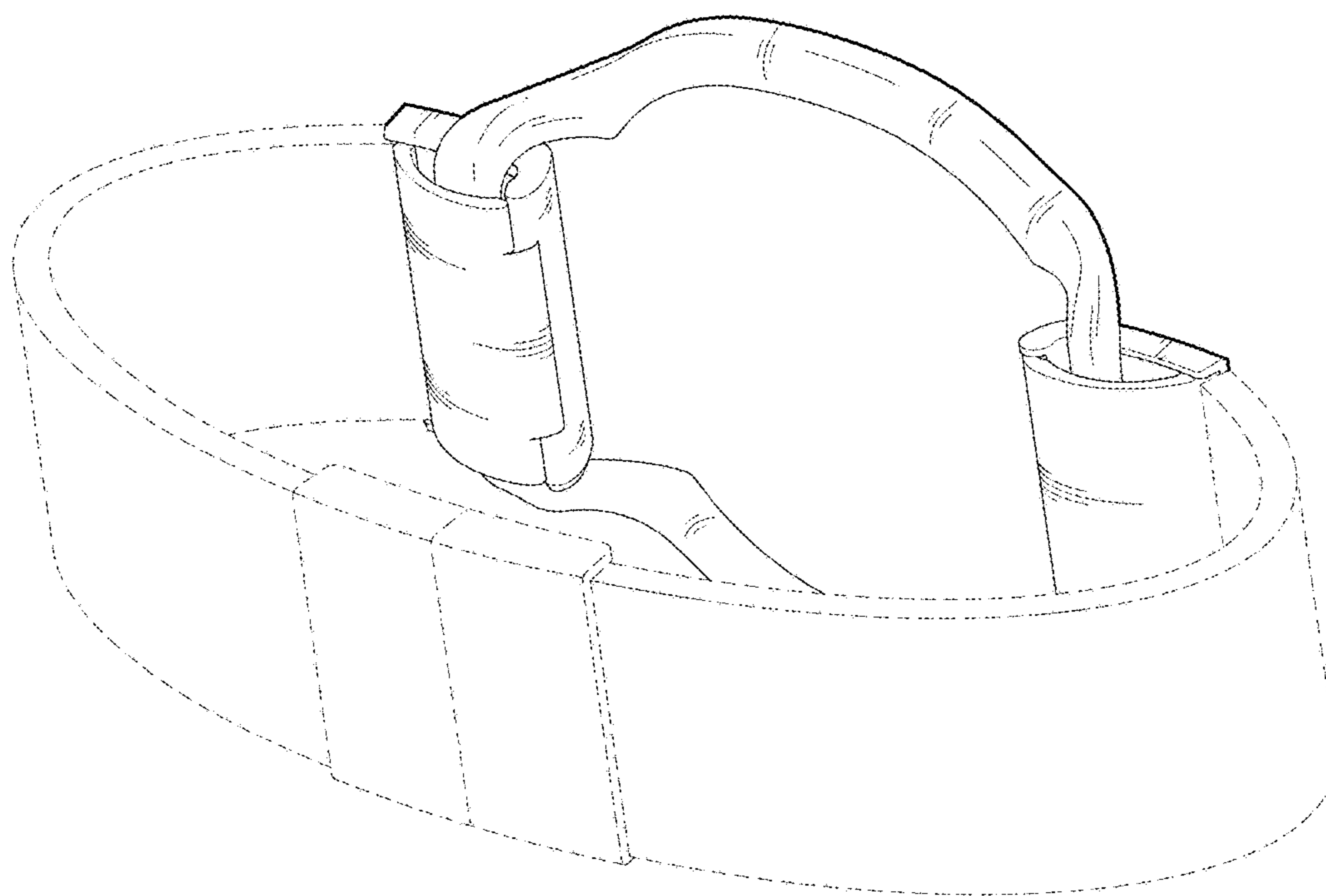


FIG. 2

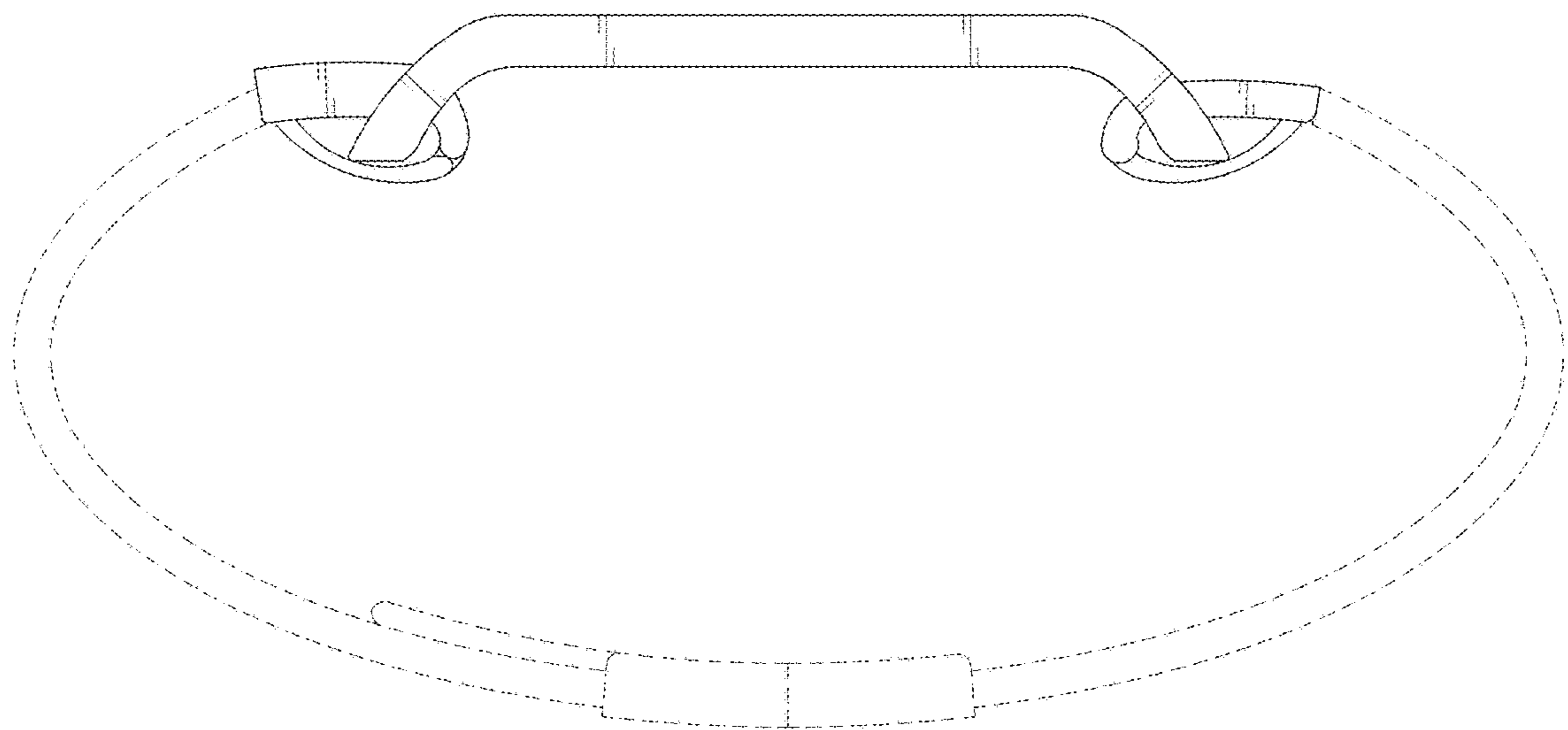


FIG. 3

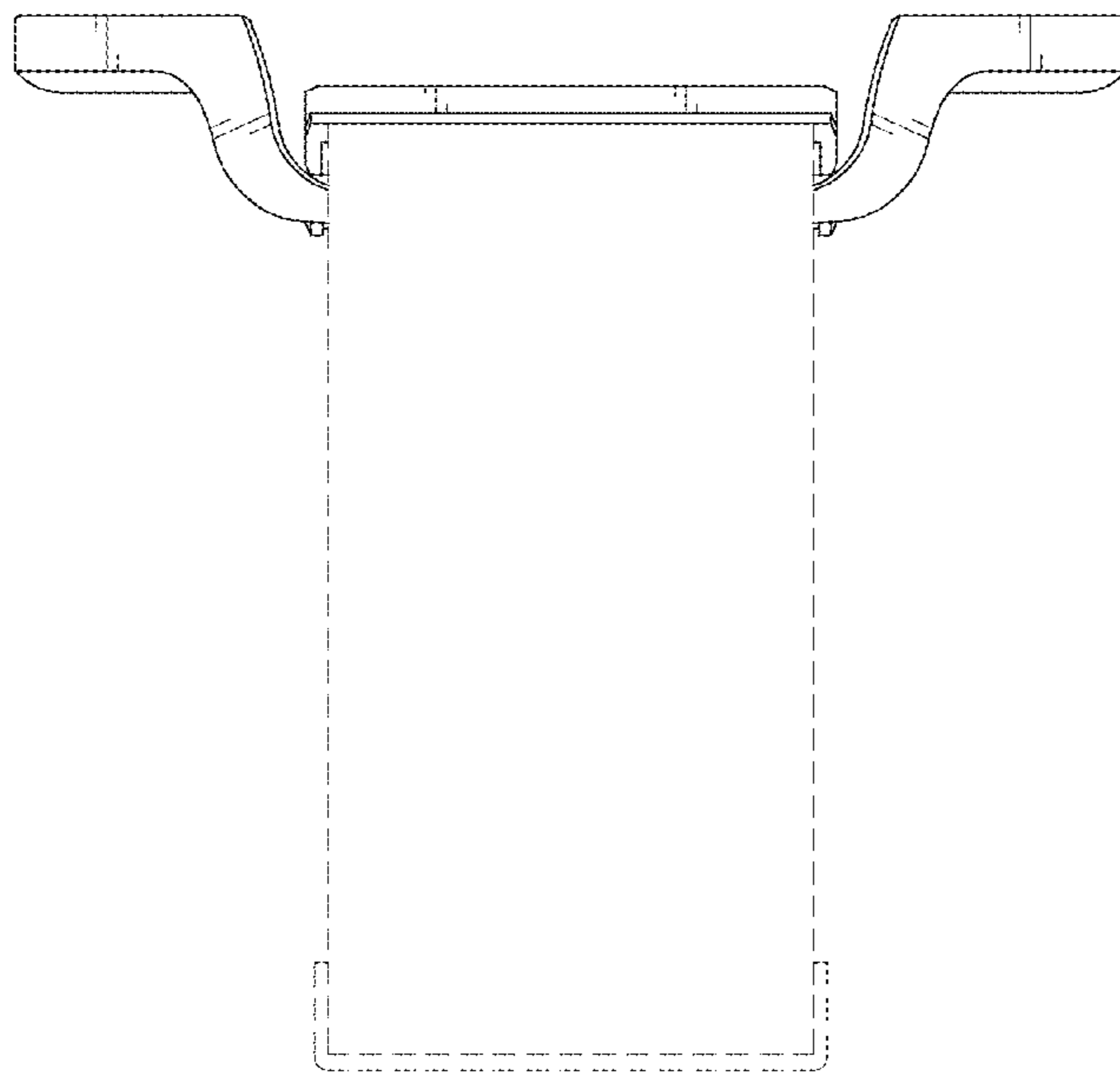


FIG. 4

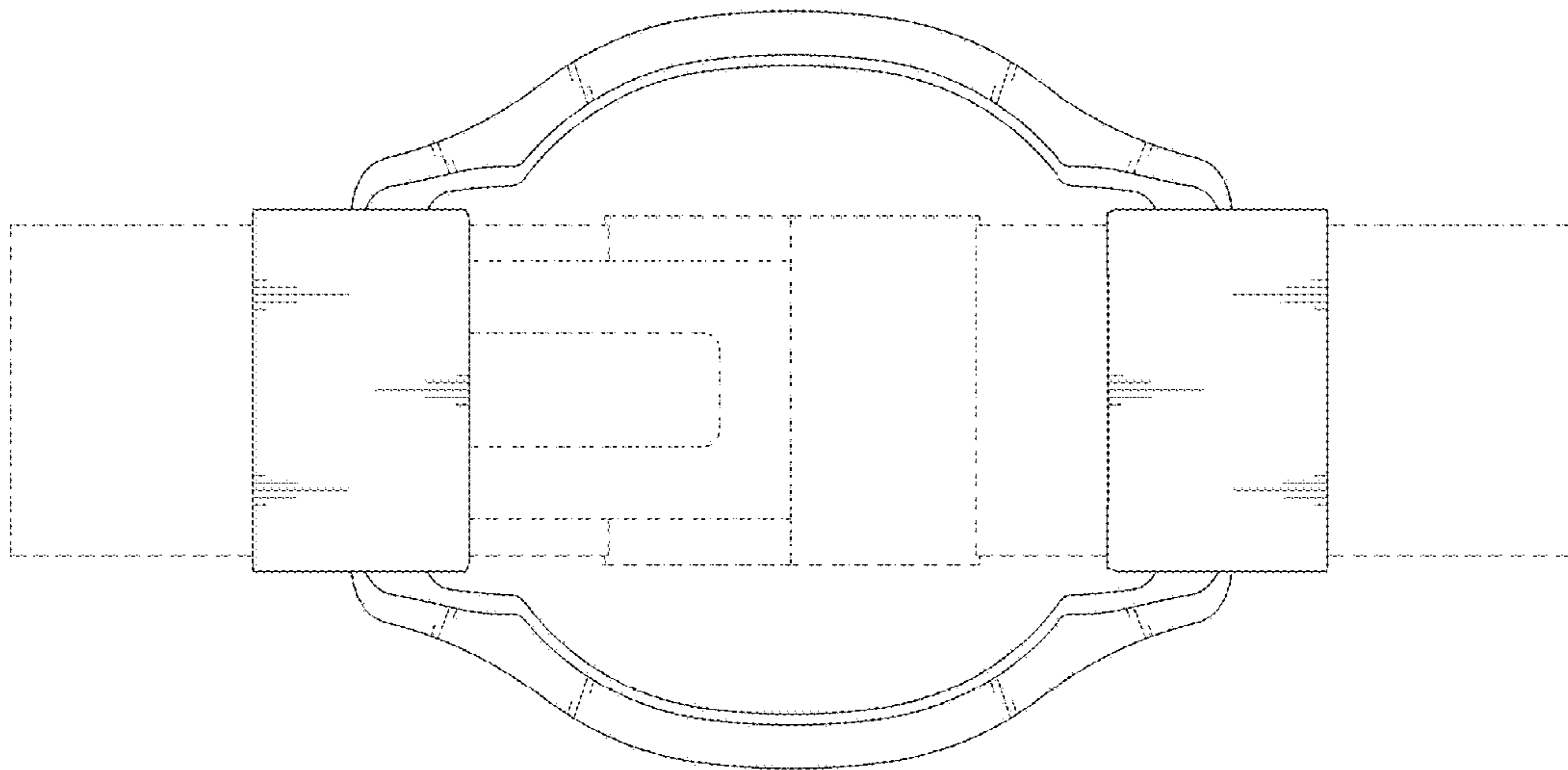


FIG. 5

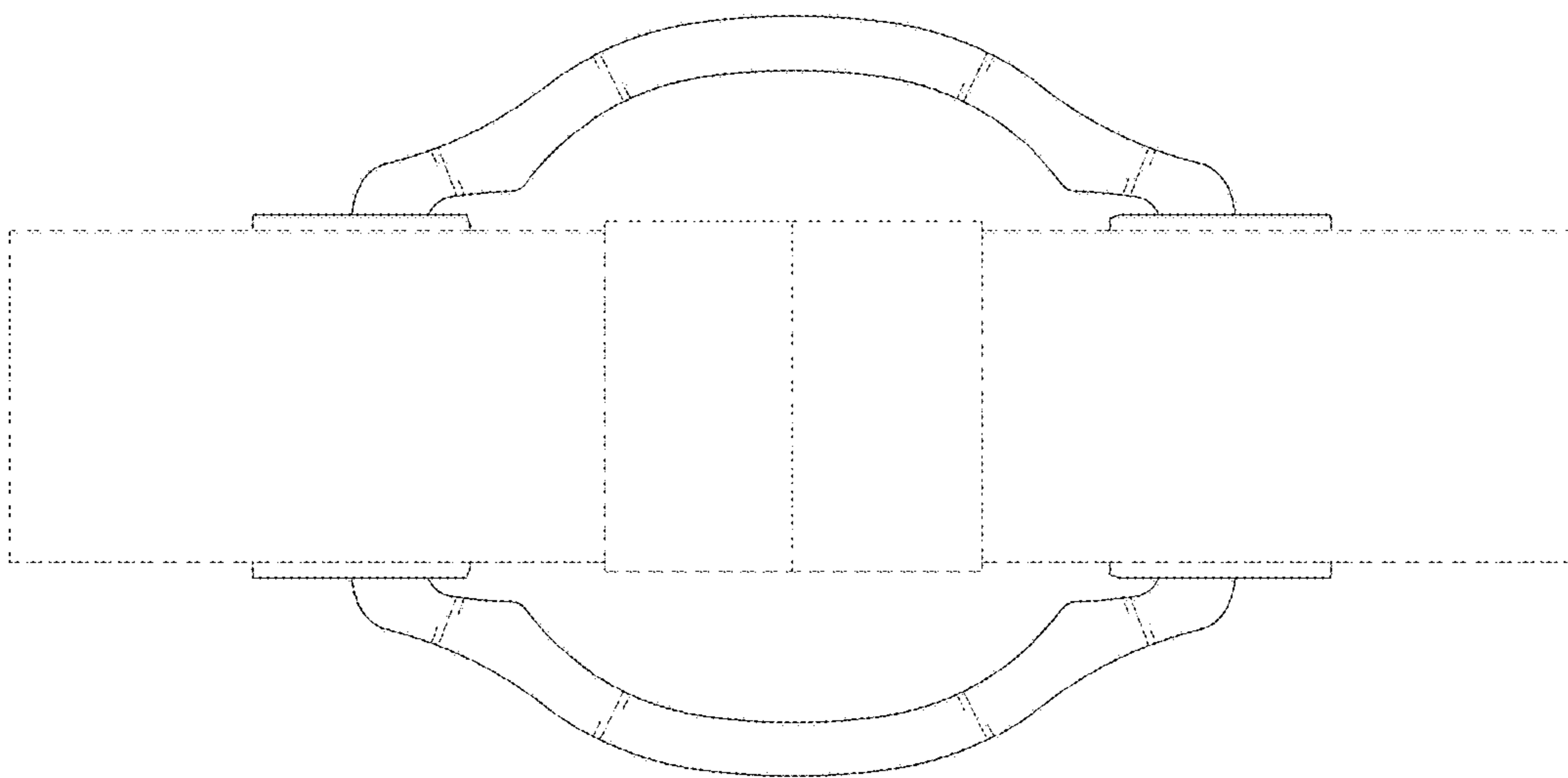


FIG. 6

