



US00D781736S

(12) **United States Design Patent**
Friedli

(10) **Patent No.:** **US D781,736 S**

(45) **Date of Patent:** **** Mar. 21, 2017**

(54) **OPERATING PANEL**

(71) Applicant: **Inventio AG**, Hergiswil (CH)

(72) Inventor: **Paul Friedli**, Remetschwil (CH)

(73) Assignee: **INVENTIO AG**, Hergiswil (CH)

(**) Term: **14 Years**

(21) Appl. No.: **29/501,690**

(22) Filed: **Sep. 8, 2014**

(30) **Foreign Application Priority Data**

Apr. 1, 2014 (CH) 140651

(51) **LOC (10) Cl.** **10-05**

(52) **U.S. Cl.**
USPC **D10/108**

(58) **Field of Classification Search**
USPC D10/108; D13/162
CPC B66B 1/00; B66B 3/00
See application file for complete search history.

(56) **References Cited**

U.S. PATENT DOCUMENTS

D283,685 S	5/1986	Walser
7,021,428 B2	4/2006	Han et al.
7,318,501 B2	1/2008	Felder
7,398,865 B2	7/2008	Felder et al.
7,404,470 B2	7/2008	Felder et al.
D615,896 S	5/2010	Rusanen et al.
8,336,678 B2	12/2012	Poutiainen et al.

8,348,022 B2	1/2013	Rusanen et al.	
D691,096 S *	10/2013	Beroukas	D13/162
D705,108 S *	5/2014	Lee	D10/108
D747,991 S *	1/2016	Lee	D10/108
D748,515 S *	2/2016	Matsuyama	D10/108

* cited by examiner

Primary Examiner — George D Kirschbaum

(74) *Attorney, Agent, or Firm* — Fraser Clemens Martin & Miller LLC; William J. Clemens

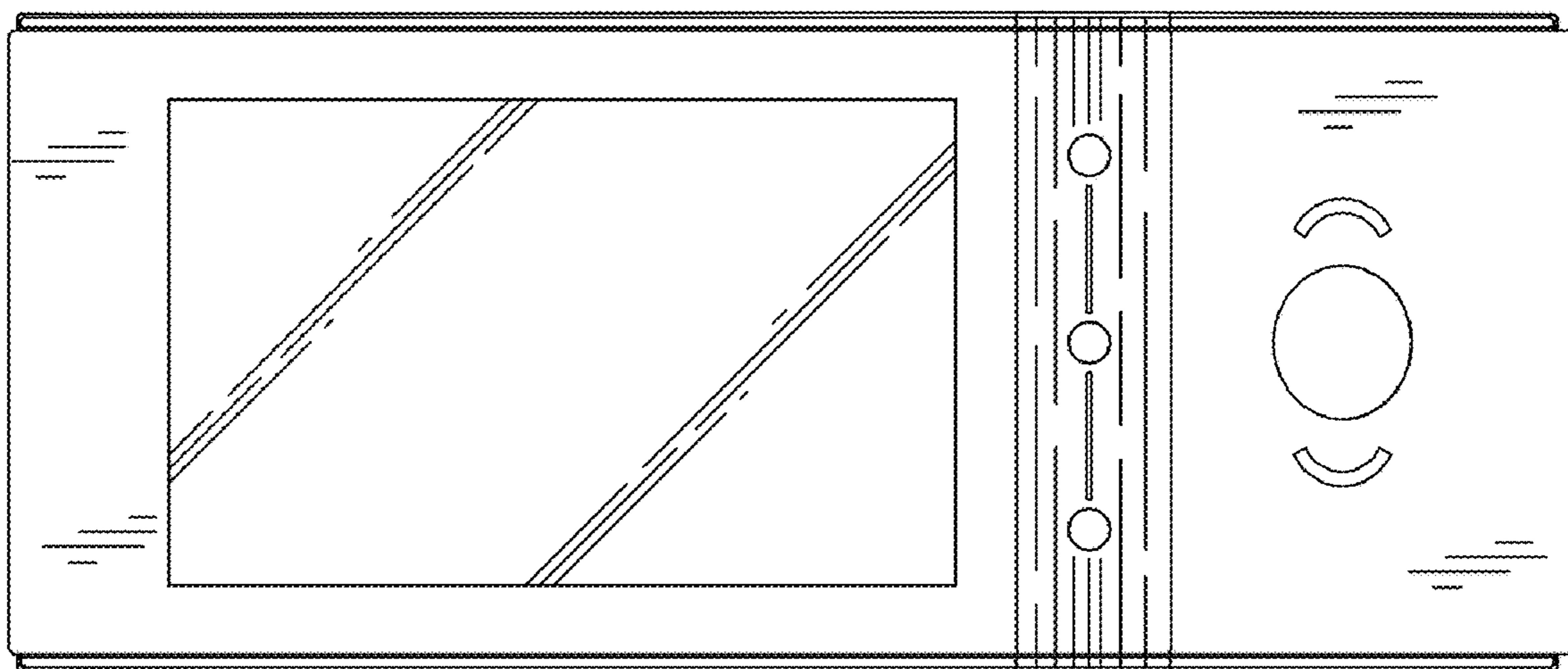
(57) **CLAIM**

The ornamental design for the operating panel, as shown.

DESCRIPTION

FIG. 1 is a front elevation view of an operating panel showing my new design;
 FIG. 2 is a rear elevation view thereof;
 FIG. 3 is a perspective view thereof;
 FIG. 4 is a left side elevation view thereof with the right side being a mirror image;
 FIG. 5 is a top plan view thereof; and
 FIG. 6 is a bottom plan view thereof.
 FIG. 7 is a front elevation view of an another embodiment of the operating panel showing my new design;
 FIG. 8 is a rear elevation view thereof;
 FIG. 9 is a perspective view thereof;
 FIG. 10 is a left side elevation view thereof with the right side being a mirror image;
 FIG. 11 is a top plan view thereof; and
 FIG. 12 is a bottom plan view thereof.
 The broken lines in the Figures show portions of the operating panel which form no part of the claimed design.

1 Claim, 4 Drawing Sheets



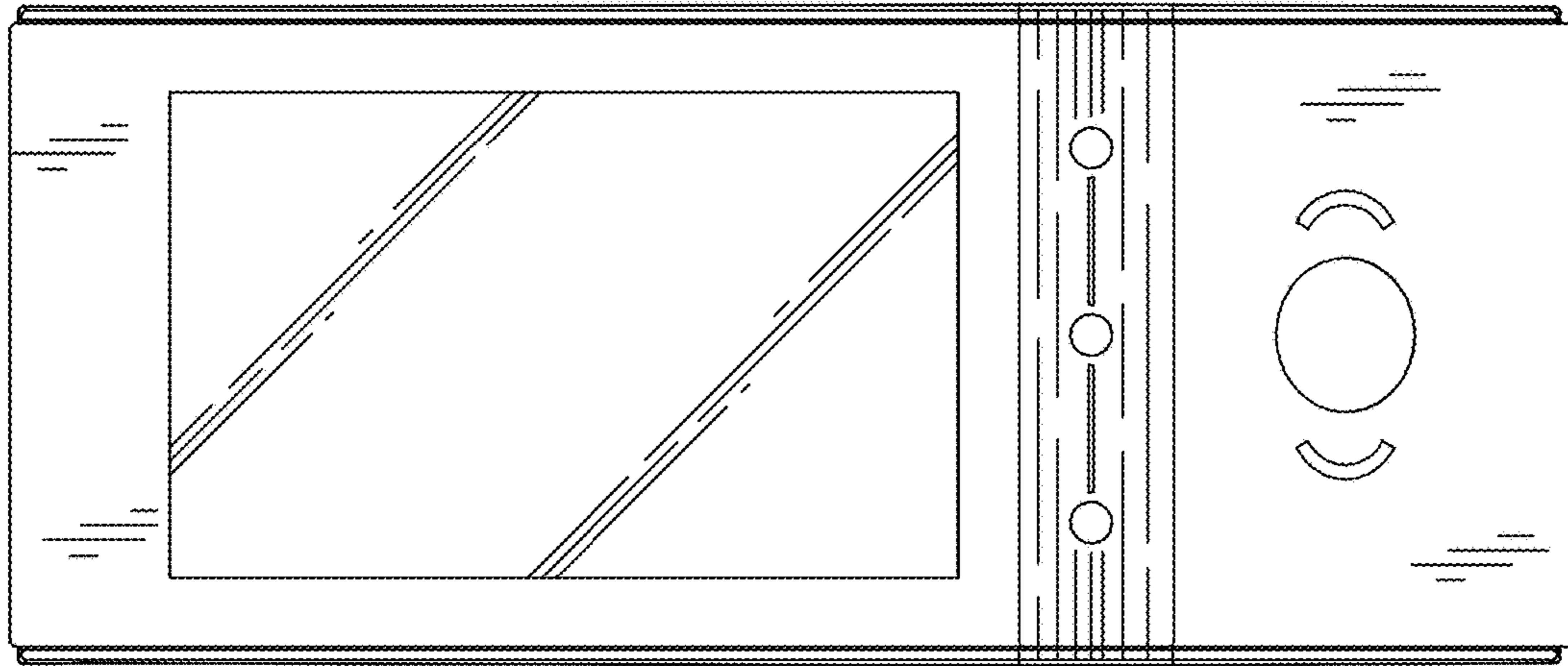


FIG. 1

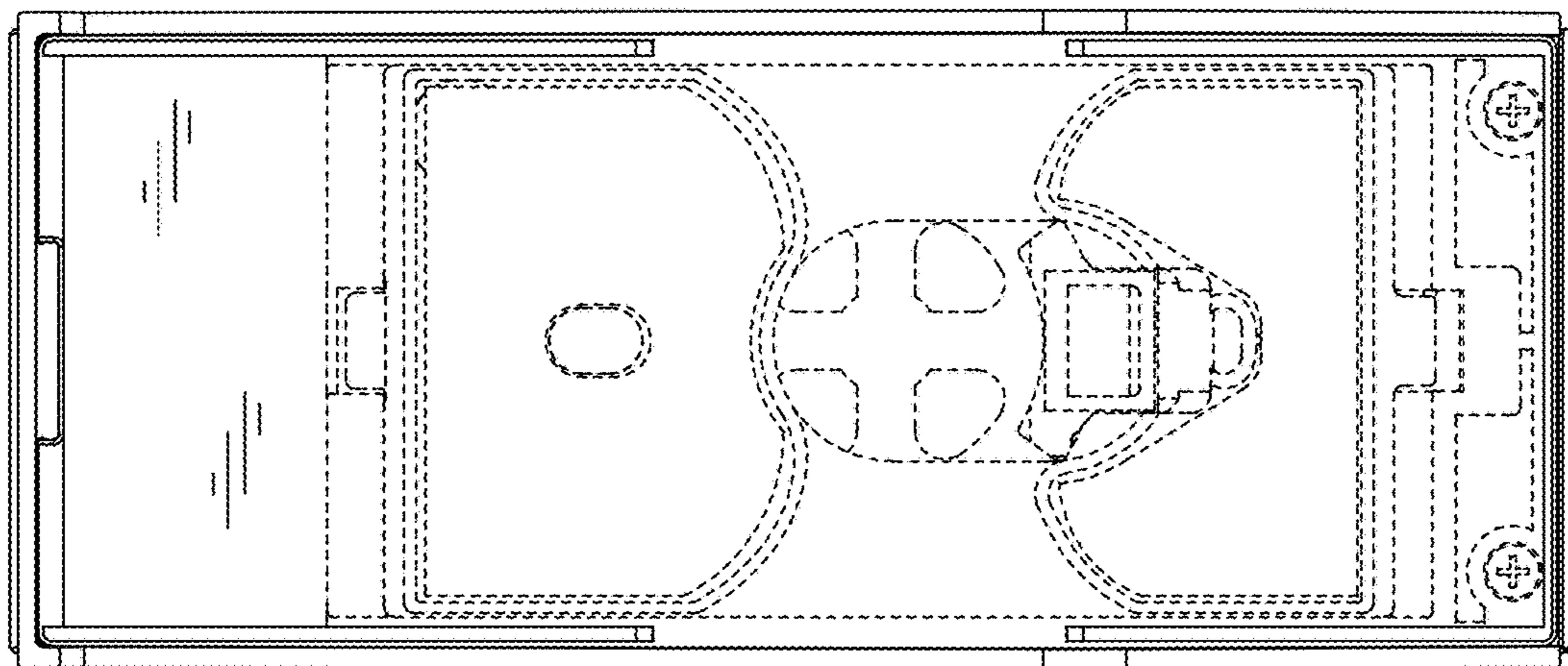


FIG. 2

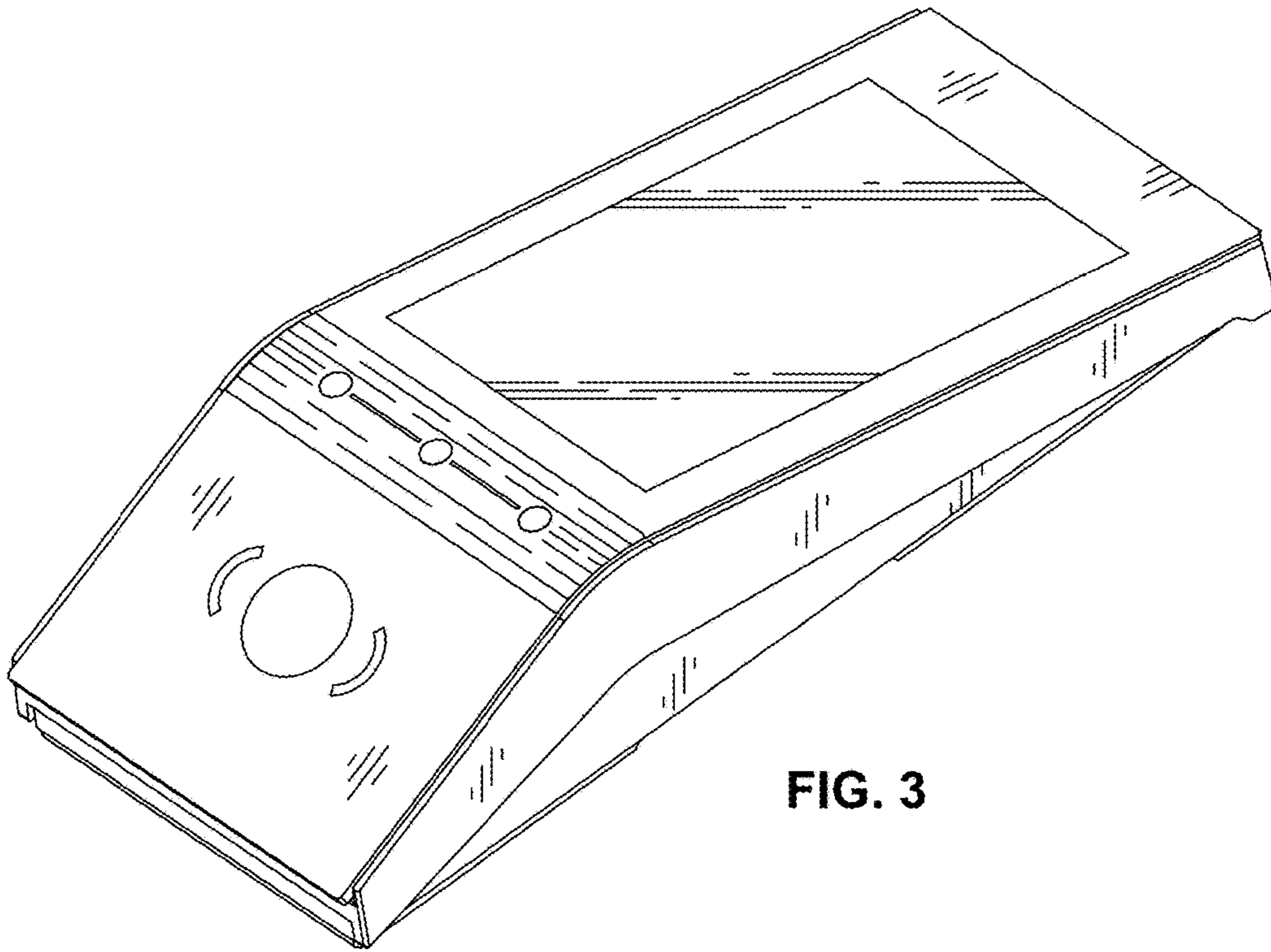


FIG. 3

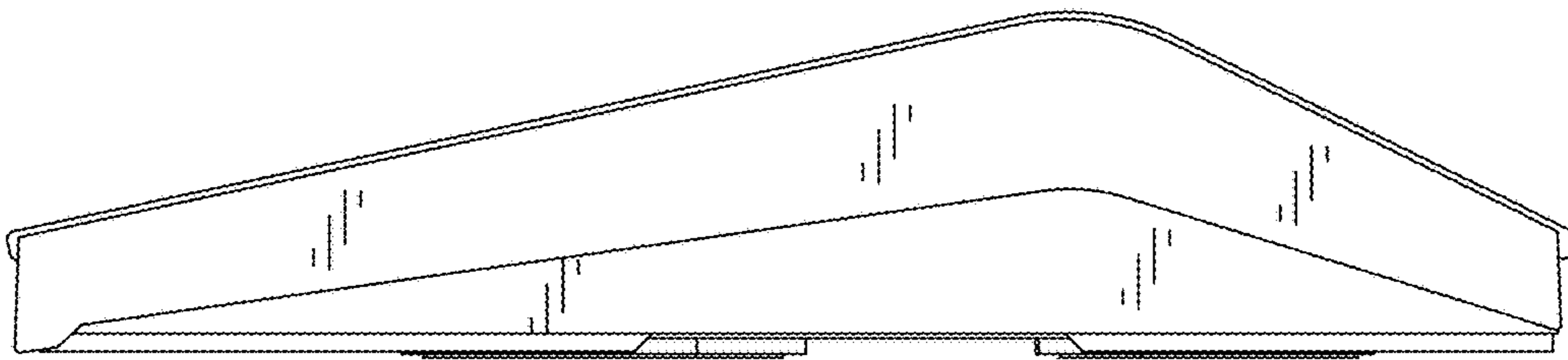


FIG. 4

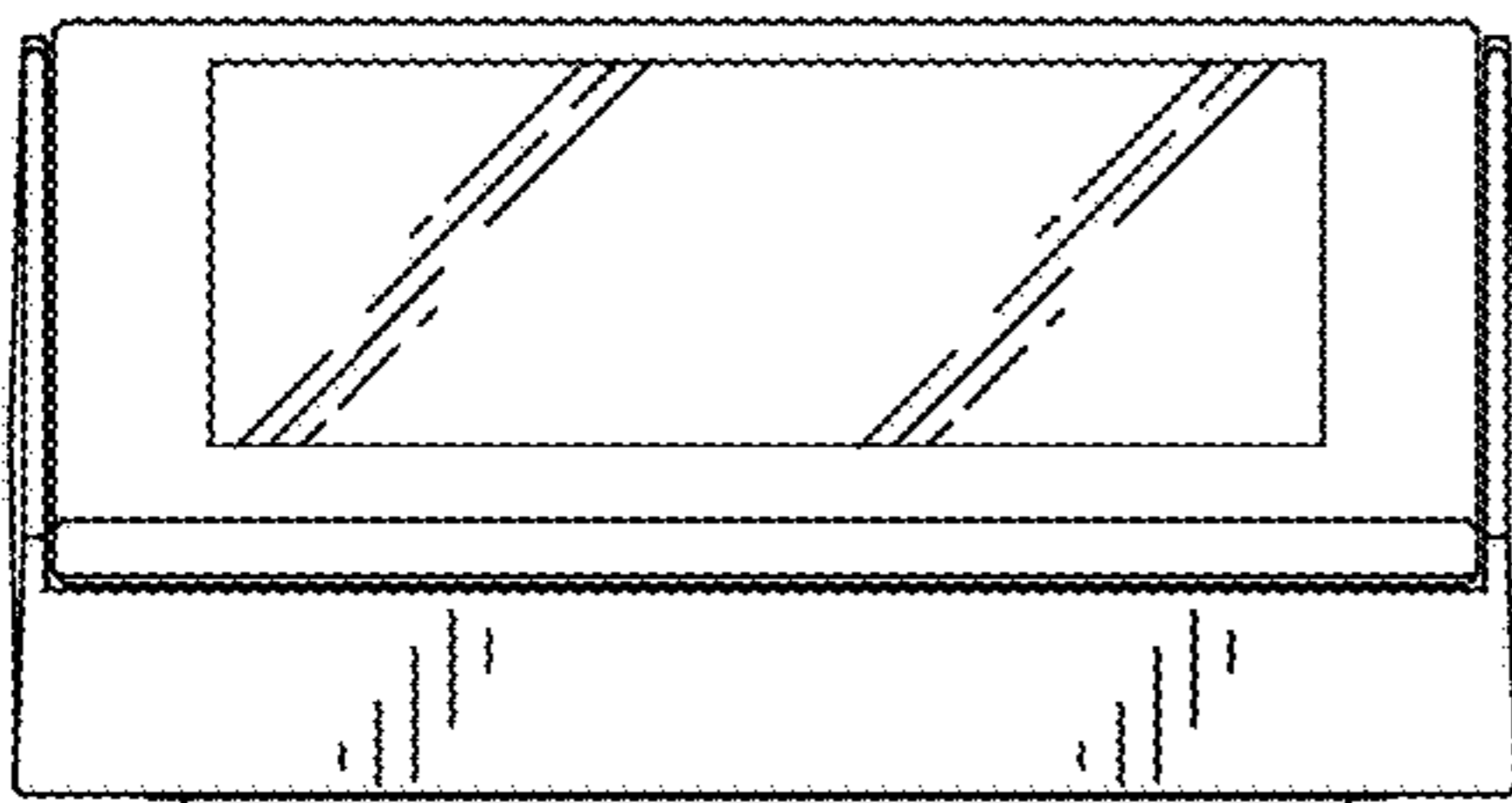


FIG. 5

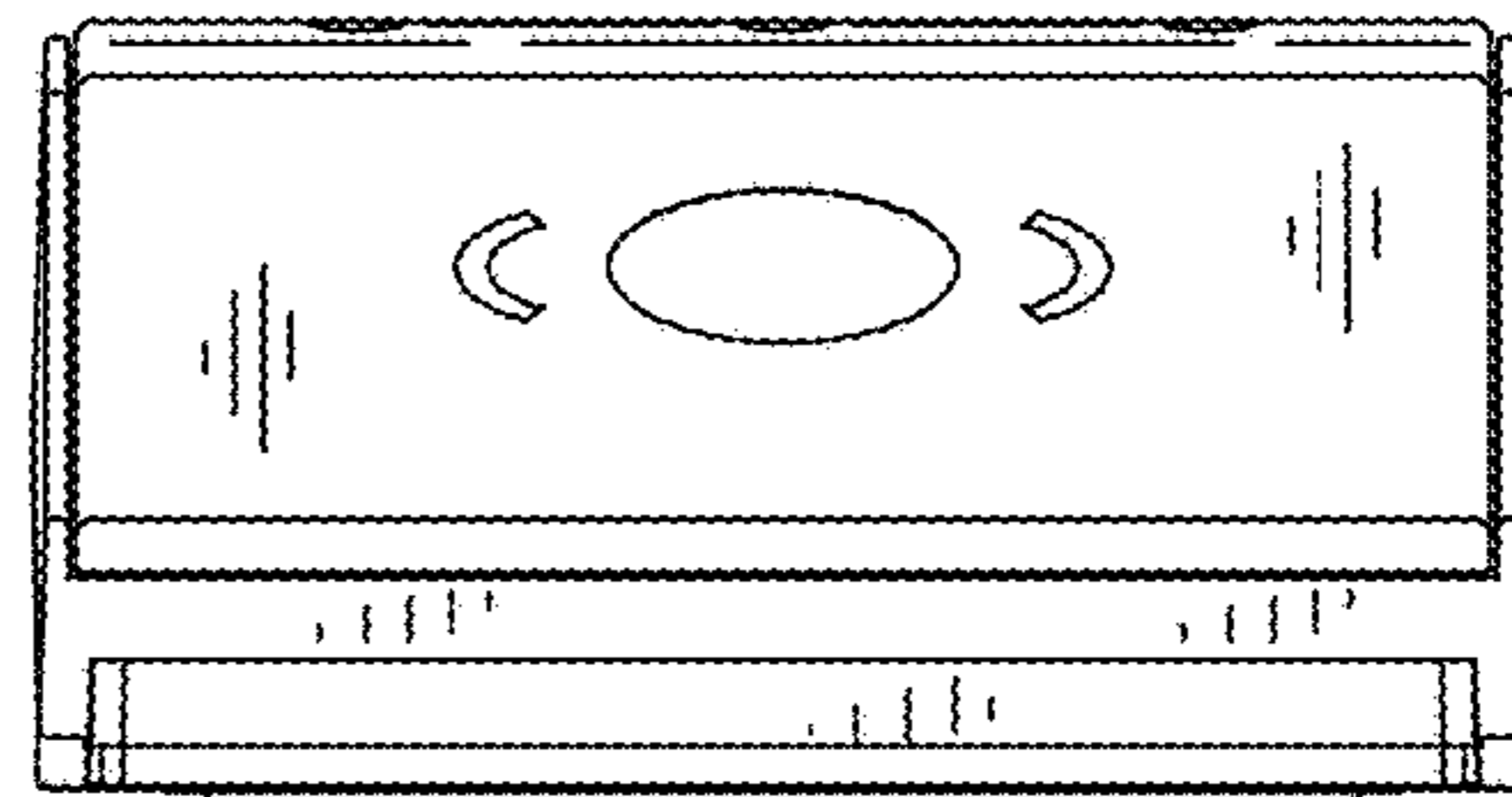


FIG. 6

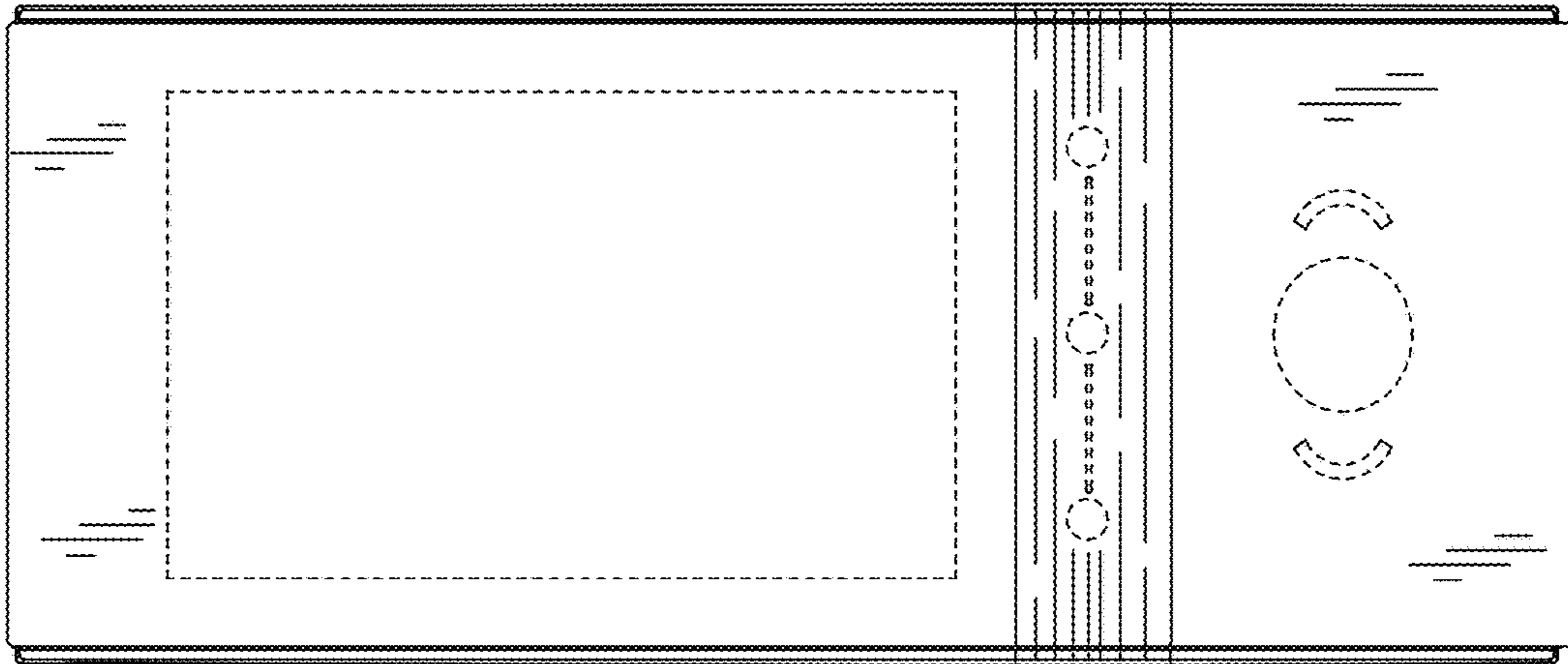


FIG. 7

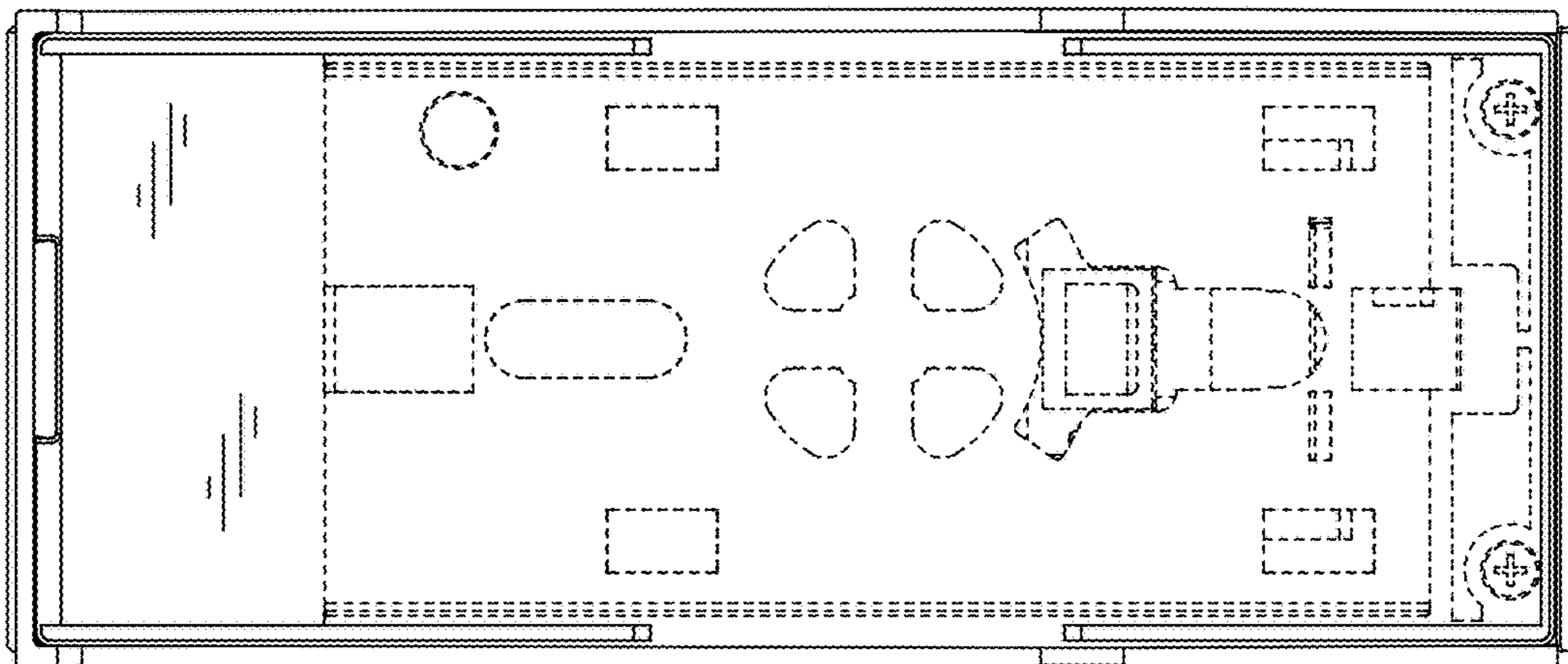


FIG. 8

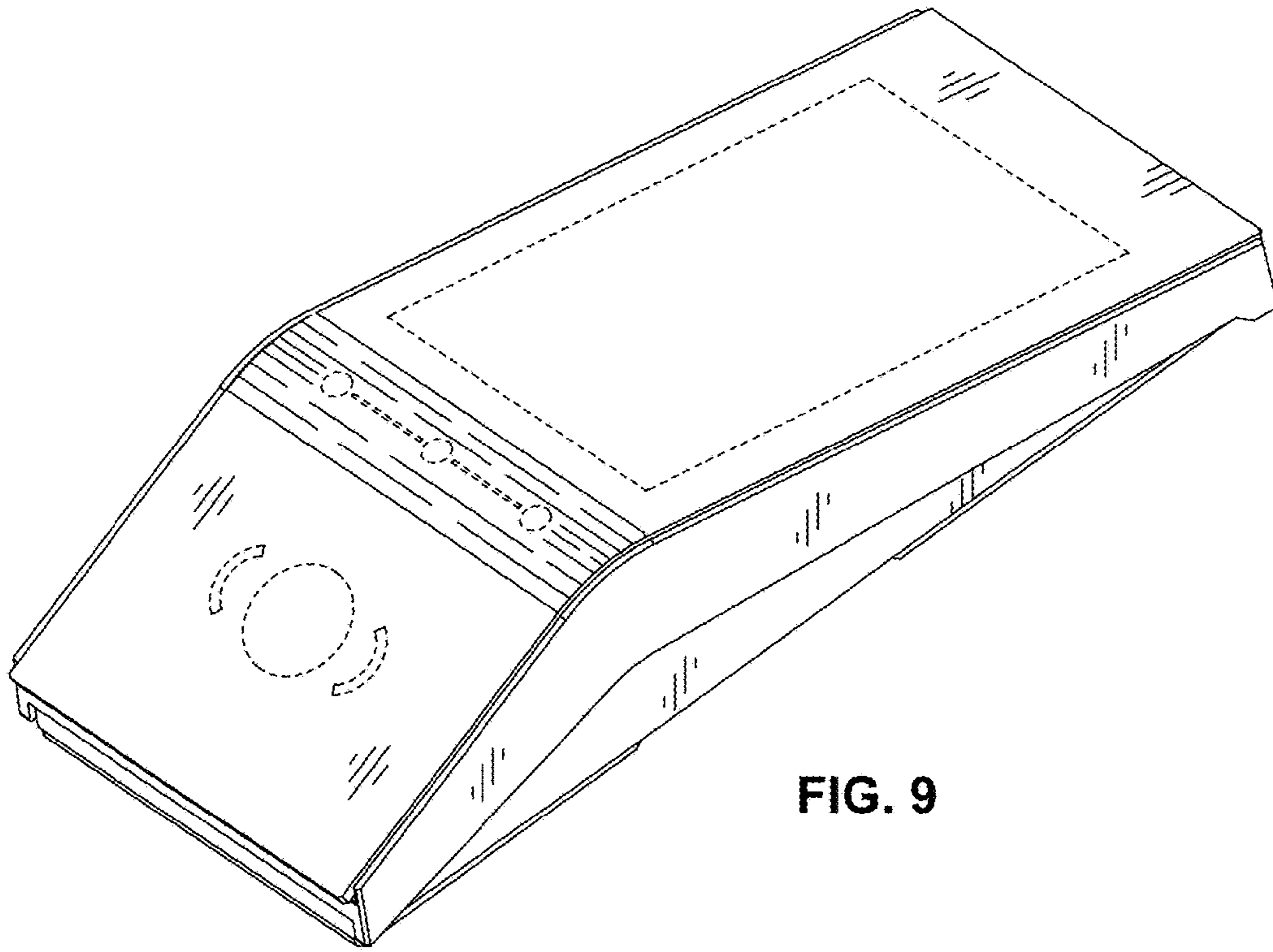


FIG. 9

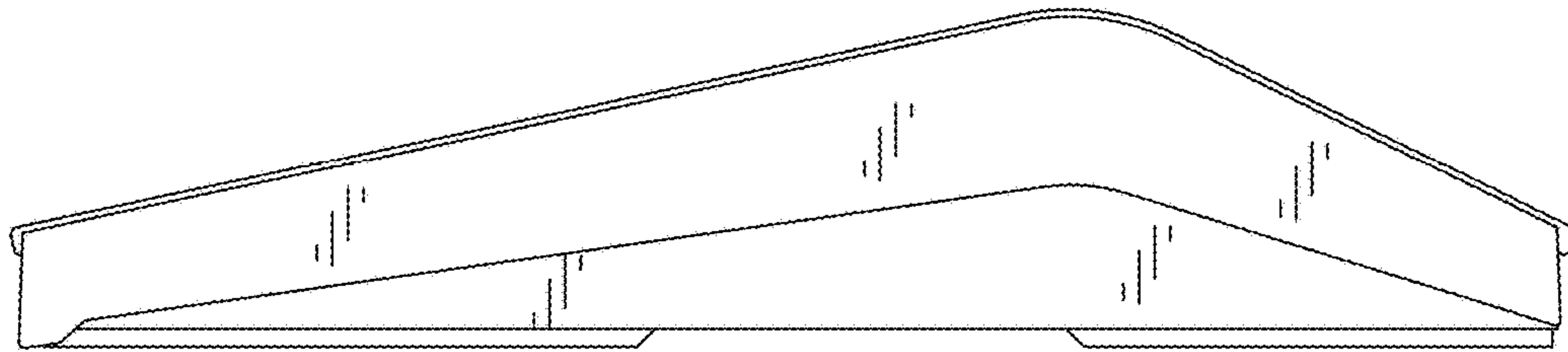


FIG. 10

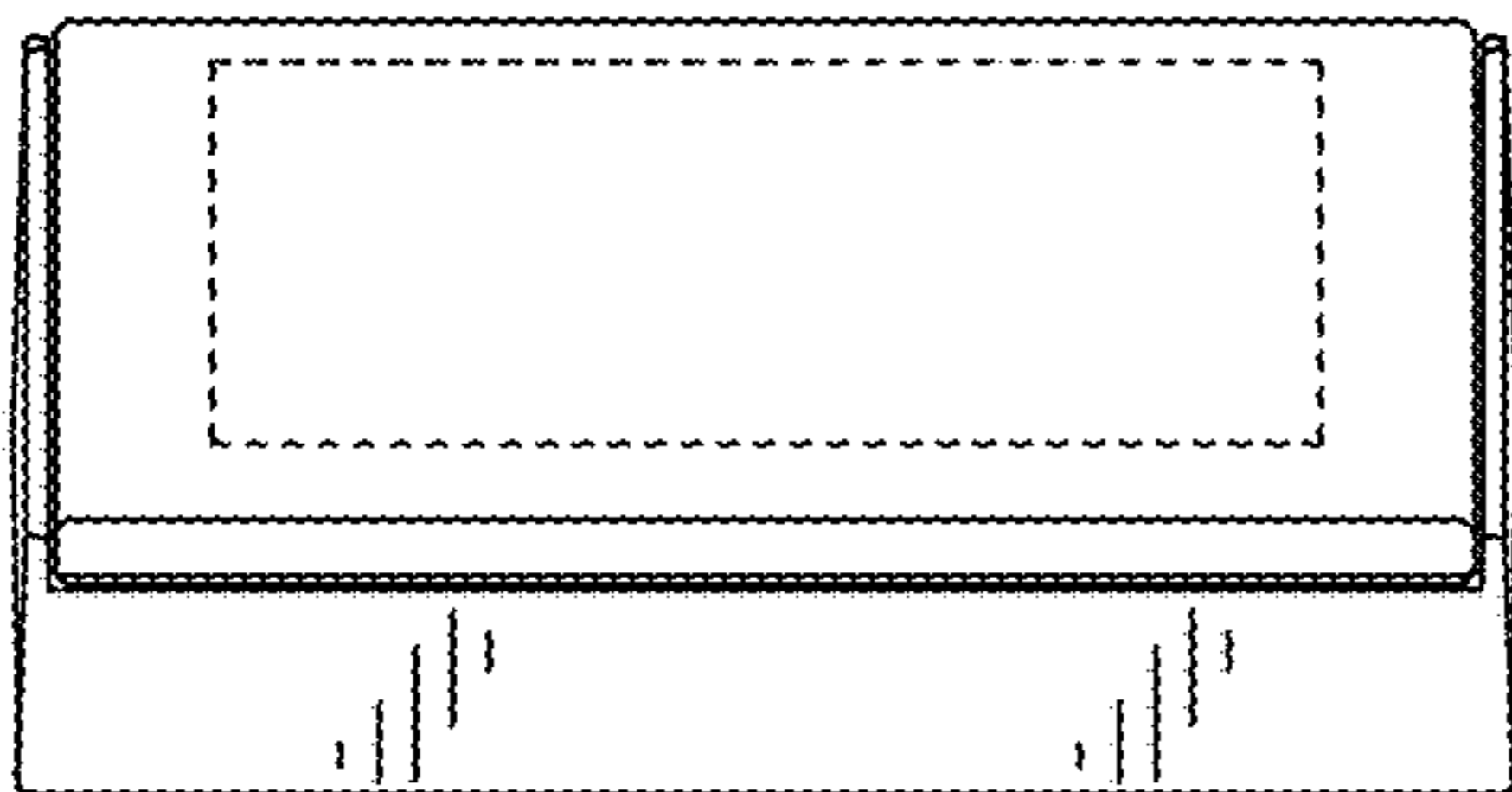


FIG. 11



FIG. 12