



US00D781735S

(12) **United States Design Patent**
Diehl

(10) **Patent No.:** **US D781,735 S**
(45) **Date of Patent:** **** Mar. 21, 2017**

(54) **SENSOR ELEMENT**

(71) Applicant: **Energybox Ltd.**, Wanchai (HK)

(72) Inventor: **Holger Diehl**, Frankfurt (DE)

(73) Assignee: **Energybox Ltd.**, Wanchai (HK)

(**) Term: **15 Years**

(21) Appl. No.: **29/534,649**

(22) Filed: **Jul. 30, 2015**

(30) **Foreign Application Priority Data**

Jan. 30, 2015 (EM) 002624304-0004

(51) **LOC (10) Cl.** **10-04**

(52) **U.S. Cl.**
USPC **D10/103**

(58) **Field of Classification Search**
USPC D10/46, 80, 99, 103
CPC .. G01R 15/202; G01R 15/205; G01R 15/207;
G01R 15/18; G01R 15/181; G01R
15/185; G01R 15/186; G01R 15/188;
G01R 15/20; G01R 15/148; G01R
15/183; G01R 19/003; G01R 19/0092;
G01R 33/0017; G01R 33/02; H02G 5/04

See application file for complete search history.

(56) **References Cited**

U.S. PATENT DOCUMENTS

9,035,736 B2 * 5/2015 Andres H01F 27/402
29/606

* cited by examiner

Primary Examiner — Antoine D Davis

(74) *Attorney, Agent, or Firm* — Slater Matsil, LLP

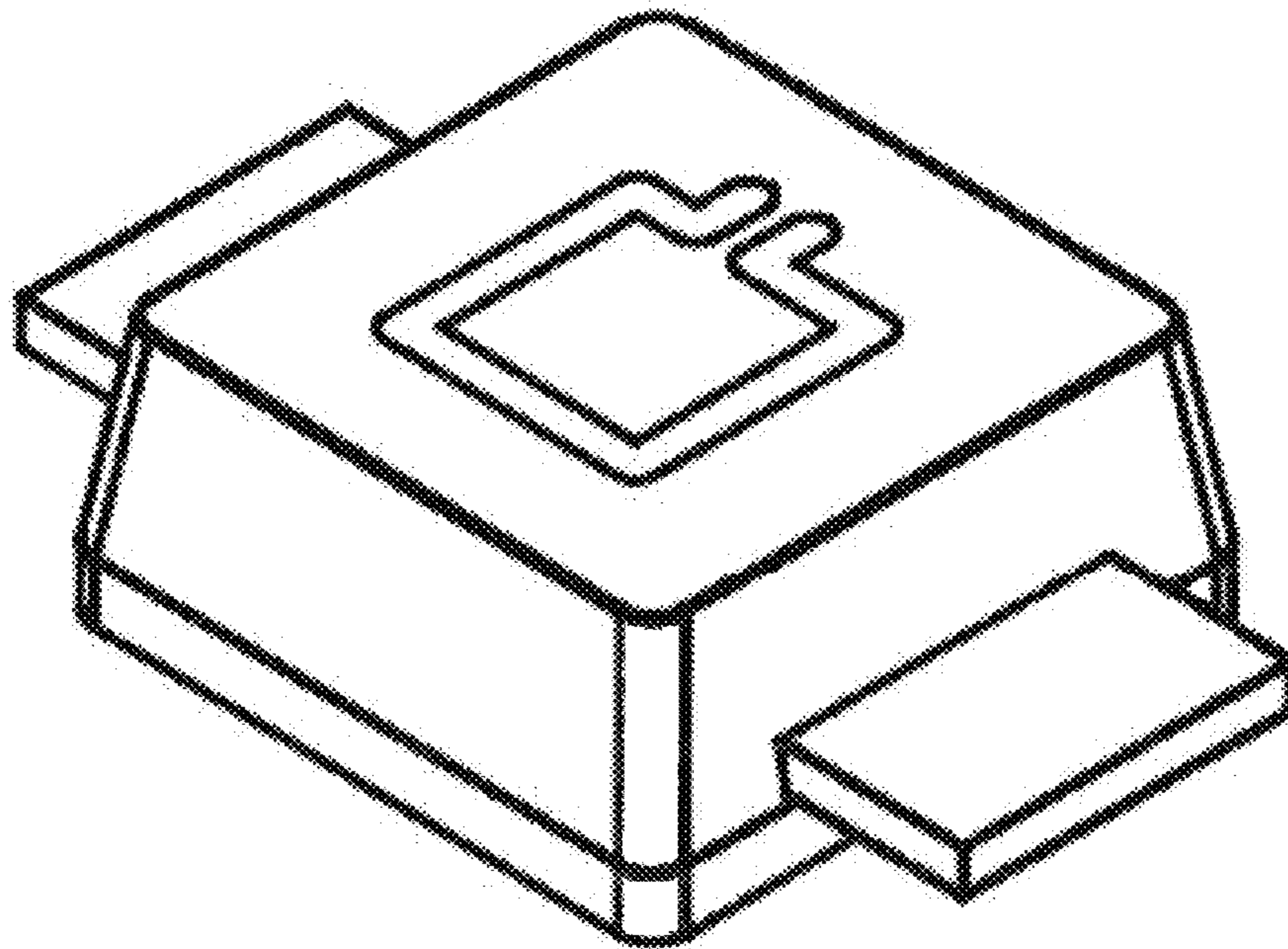
(57) **CLAIM**

The ornamental design for a sensor element, as shown and described.

DESCRIPTION

FIG. 1 is a perspective view of a sensor element showing the new design;
FIG. 2 is a top view thereof;
FIG. 3 is a front view thereof;
FIG. 4 is a bottom view thereof;
FIG. 5 is a backside view thereof;
FIG. 6 is a left view thereof; and,
FIG. 7 is a right view thereof.

1 Claim, 7 Drawing Sheets



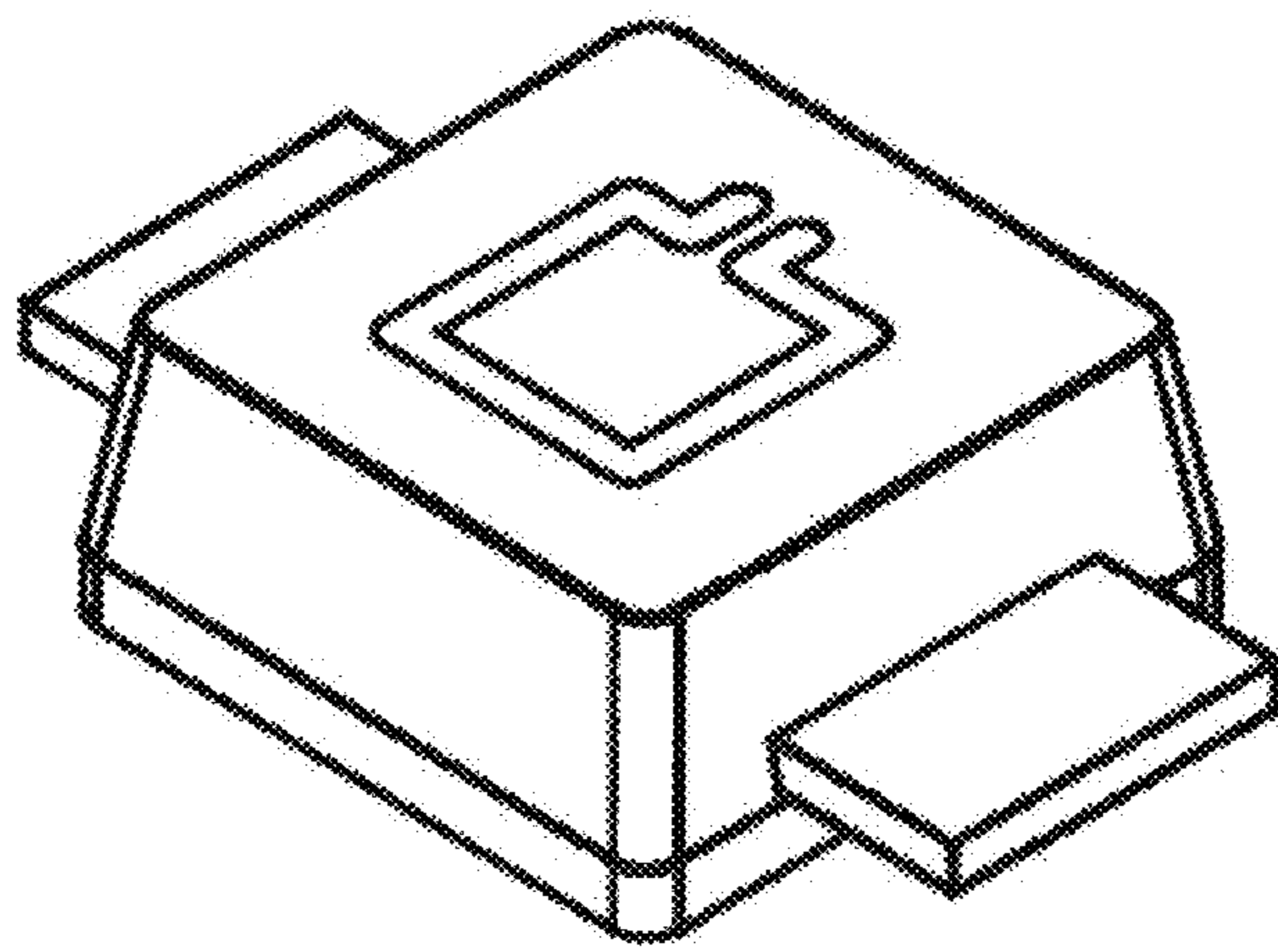


FIGURE 1

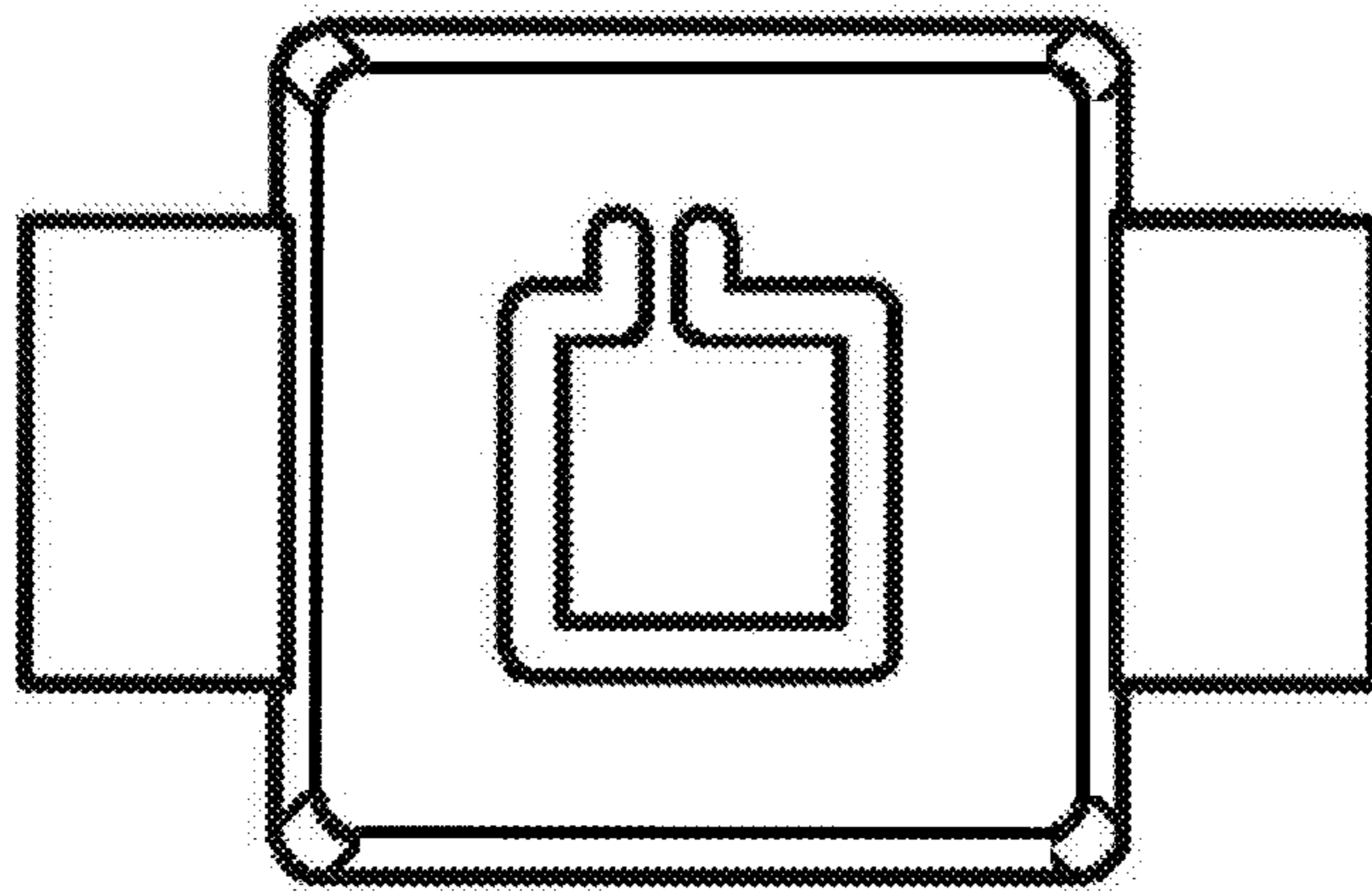


FIGURE 2

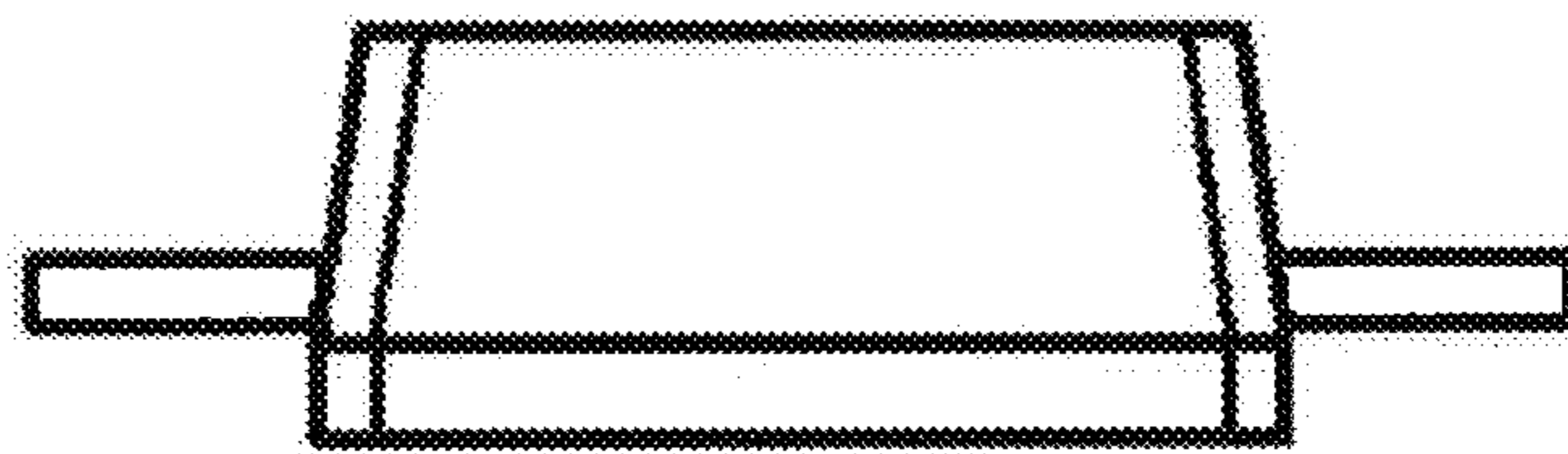


FIGURE 3

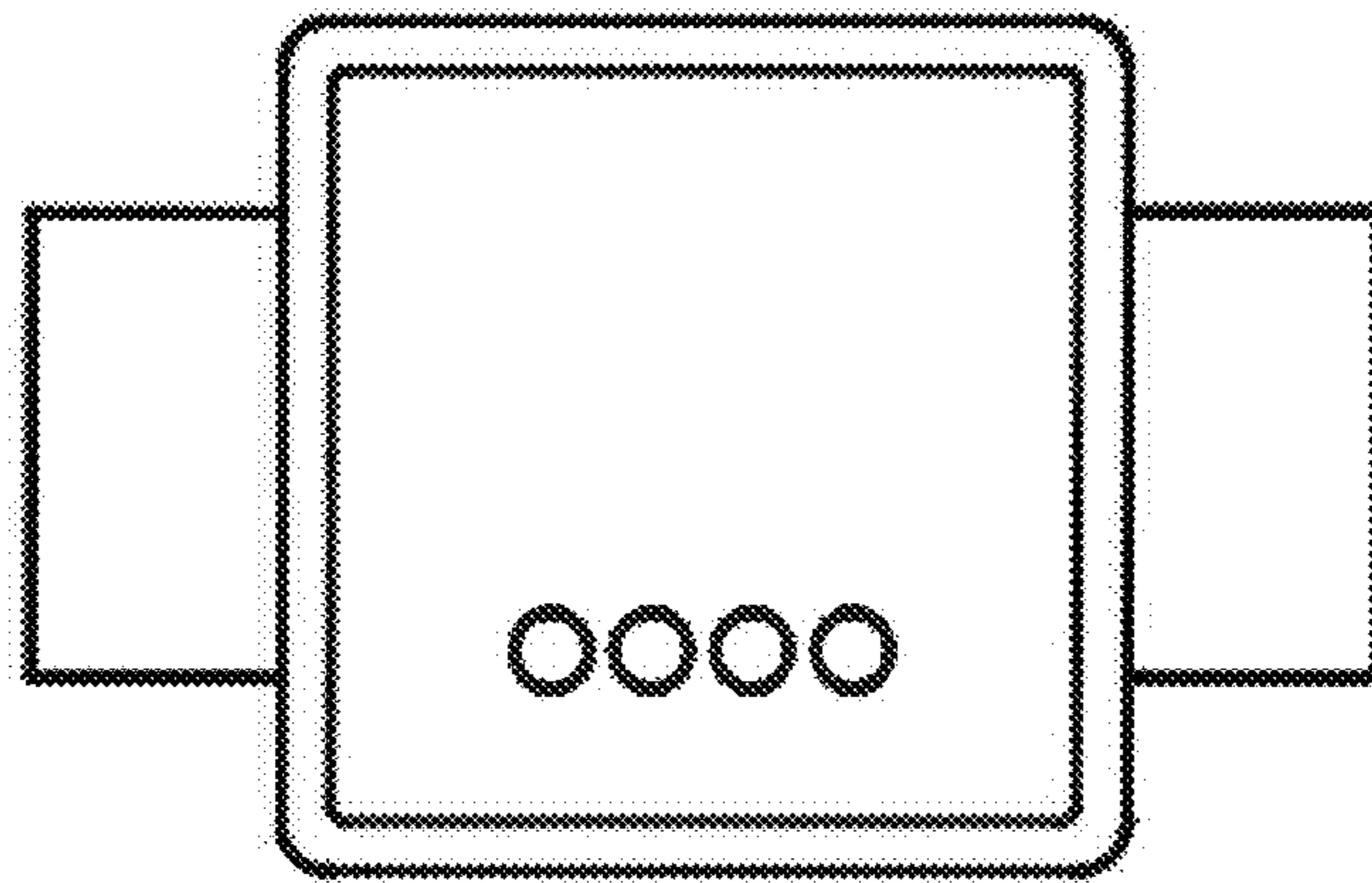


FIGURE 4



FIGURE 5



FIGURE 6

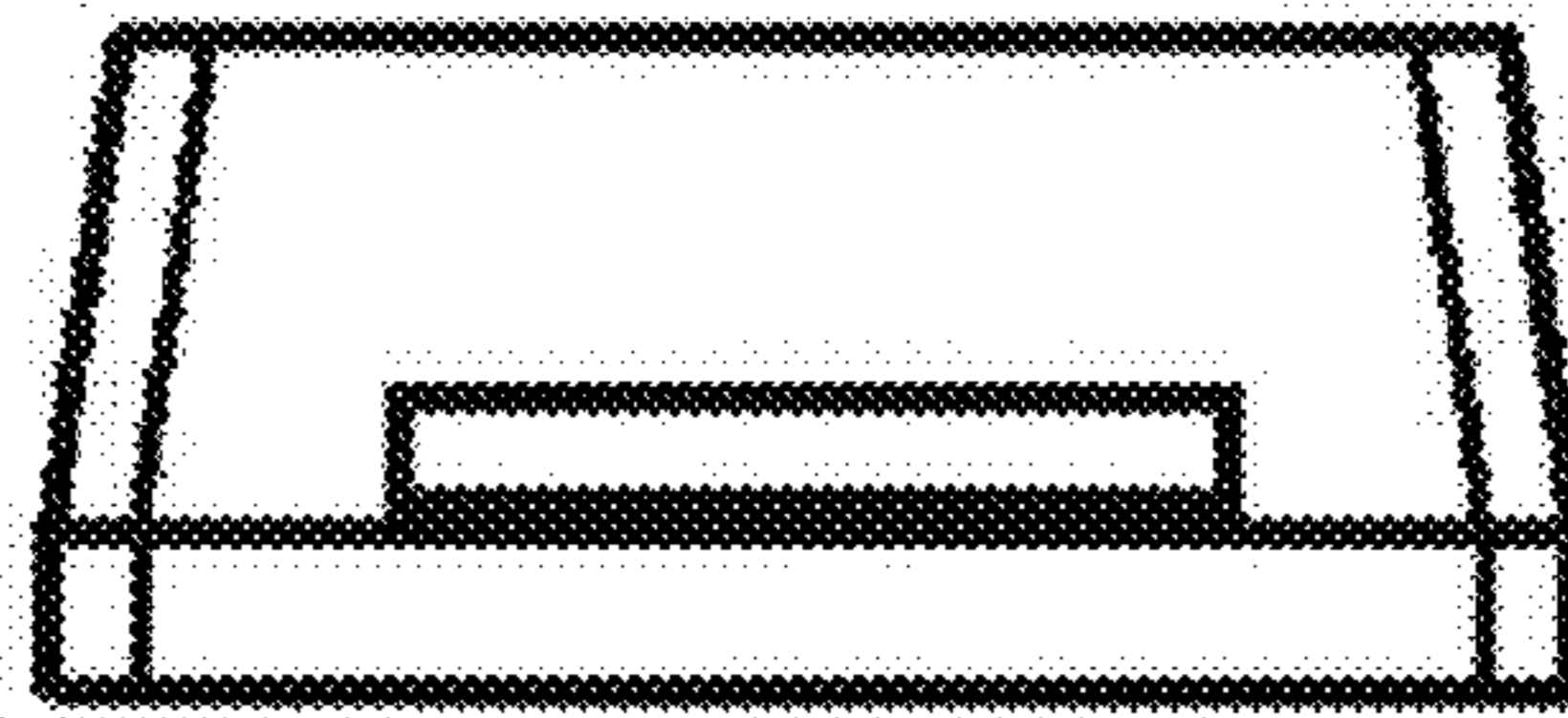


FIGURE 7