



US00D781734S

(12) **United States Design Patent**
Lim

(10) **Patent No.:** **US D781,734 S**

(45) **Date of Patent:** **** Mar. 21, 2017**

(54) **SENSOR FOR MEASURING MATERIALS**

(71) Applicant: **Proceq AG**, Schwerzenbach (CH)

(72) Inventor: **Wai-Loong Lim**, San Francisco, CA (US)

(73) Assignee: **Proceq AG**, Schwerzenbach (CH)

(**) Term: **14 Years**

(21) Appl. No.: **29/484,812**

(22) Filed: **Mar. 13, 2014**

(30) **Foreign Application Priority Data**

Sep. 13, 2013 (WO) DM/082 849

(51) **LOC (10) Cl.** **10-04**

(52) **U.S. Cl.**
USPC **D10/83**

(58) **Field of Classification Search**

USPC D10/70, 78, 83
CPC G01N 11/00; G01N 33/46; G01N 33/383;
G01N 2203/0658; G01N 2203/0688;
G01N 33/0623; G01N 33/067; G01N
2213/0208; G01N 29/11; G01N 29/12;
G01N 29/2418; G01N 29/045; G01N
29/225; G01N 29/226; G01N 29/223;
G01N 29/07

See application file for complete search history.

(56) **References Cited**

U.S. PATENT DOCUMENTS

D358,340 S * 5/1995 Murata et al. D10/76
D360,150 S * 7/1995 Glitzke D10/75

5,983,701 A * 11/1999 Hassani et al. 73/12.01
6,151,379 A * 11/2000 Kullenberg et al. 378/54
7,617,730 B2 * 11/2009 Georgeson 73/602
8,700,342 B2 * 4/2014 Lepage et al. 702/35
2004/0123665 A1 * 7/2004 Blodgett et al. 73/579

* cited by examiner

Primary Examiner — Antoine D Davis

(74) *Attorney, Agent, or Firm* — Muncy, Geissler, Olds & Lowe, P.C.

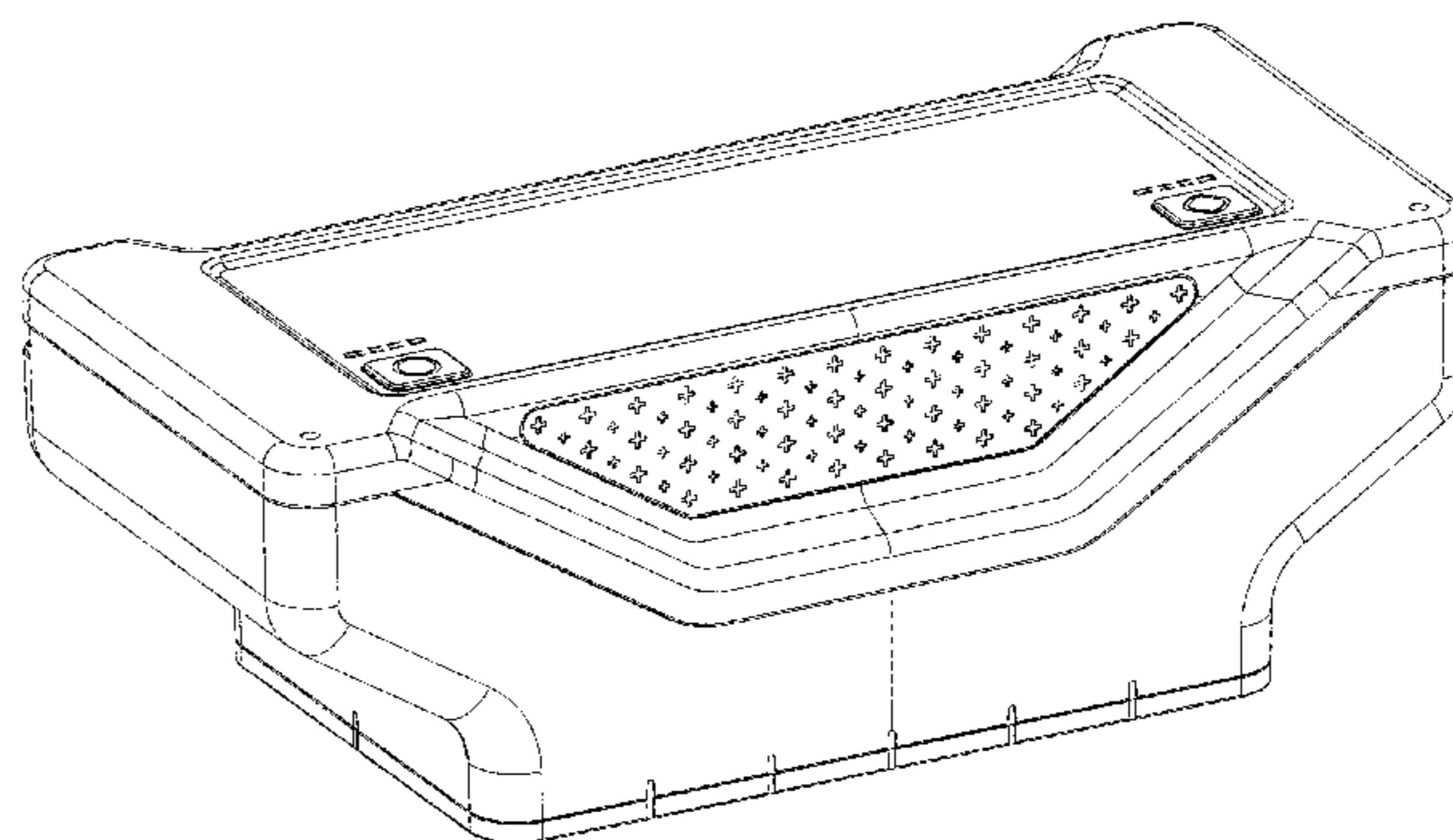
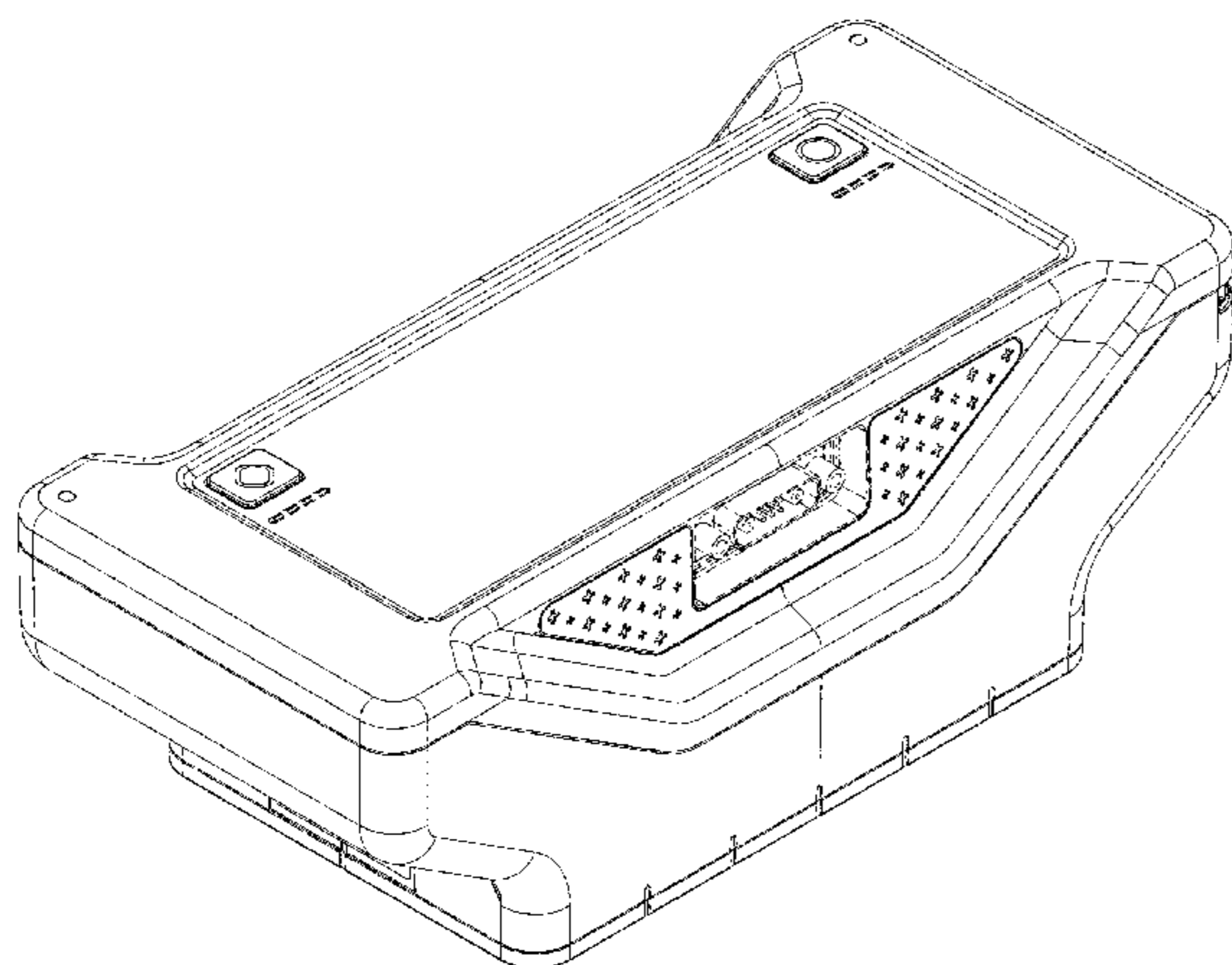
(57) **CLAIM**

I claim, the ornamental design for a sensor for measuring materials, as shown and described.

DESCRIPTION

FIG. 1 is a front perspective view of a sensor for measuring materials, showing my new design;
FIG. 2 is a rear perspective view thereof;
FIG. 3 is a bottom perspective view thereof;
FIG. 4 is a top plan view thereof;
FIG. 5 is a bottom plan view thereof;
FIG. 6 is a front elevation view thereof;
FIG. 7 is an enlarged partial view of FIG. 6;
FIG. 8 is a rear elevation view thereof;
FIG. 9 is an enlarged partial view of FIG. 8;
FIG. 10 is a side elevation view thereof taken from the right of FIG. 6; and,
FIG. 11 is a side elevation view thereof taken from the left of FIG. 6.

1 Claim, 11 Drawing Sheets



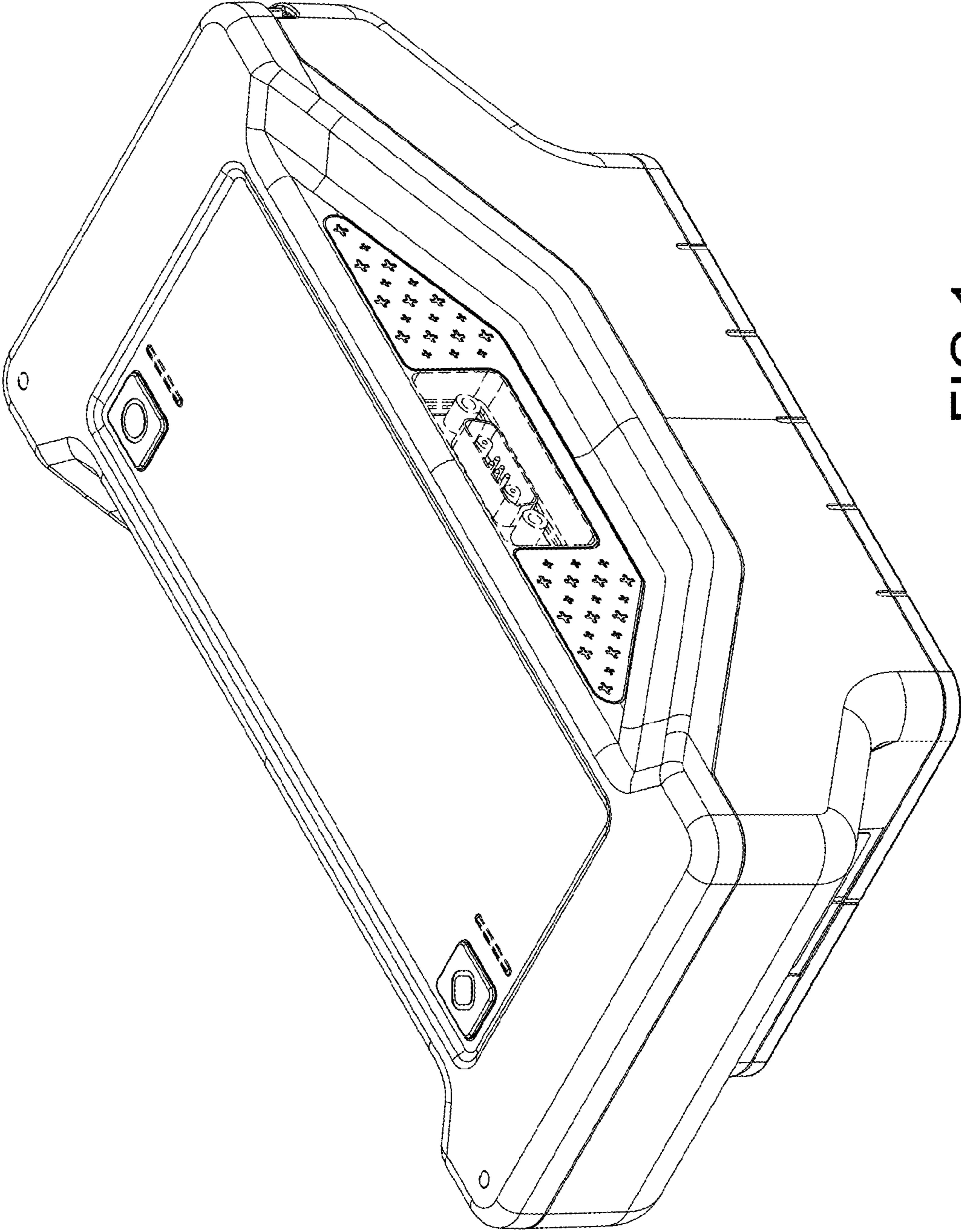


FIG.1

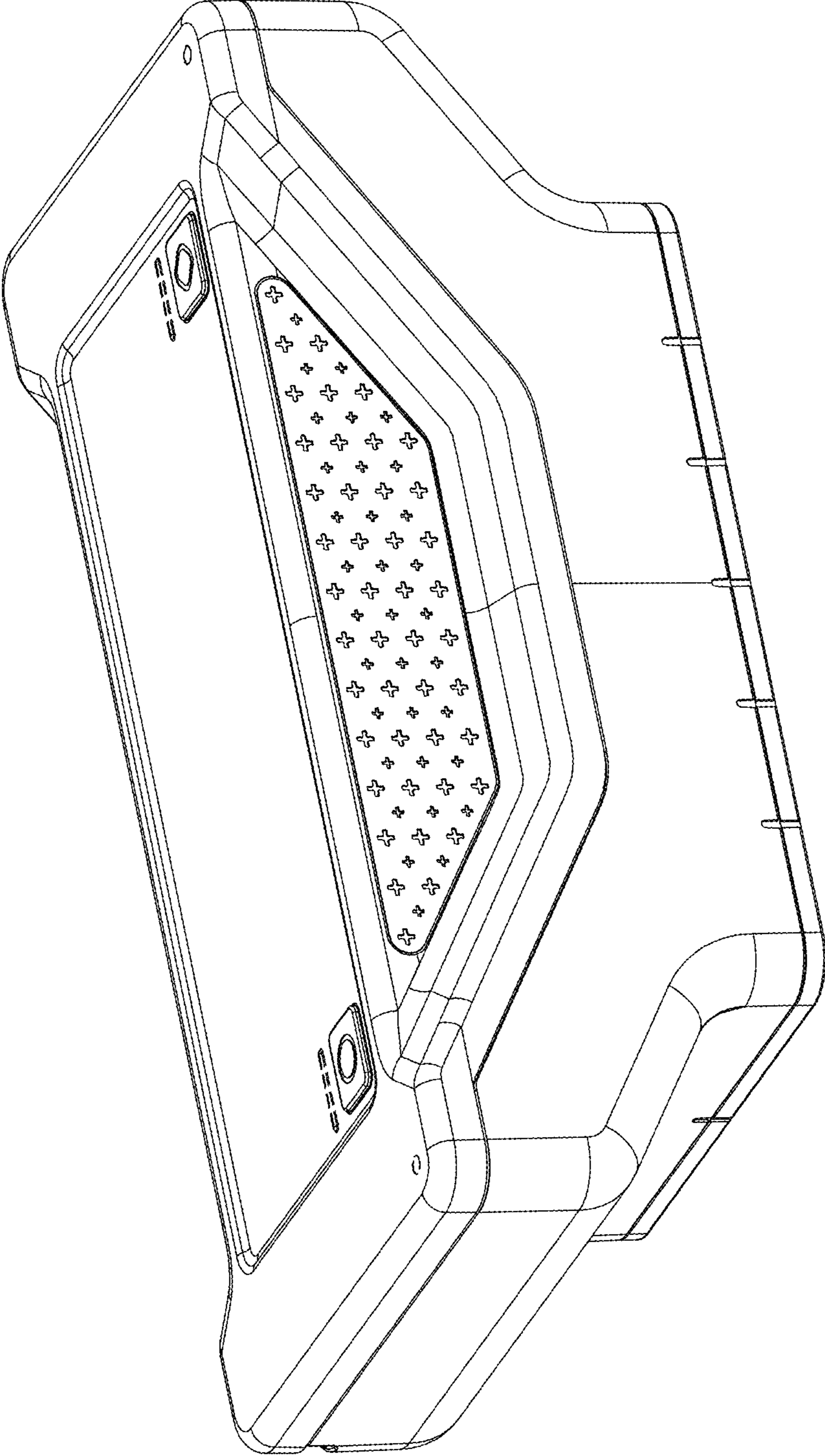


FIG.2

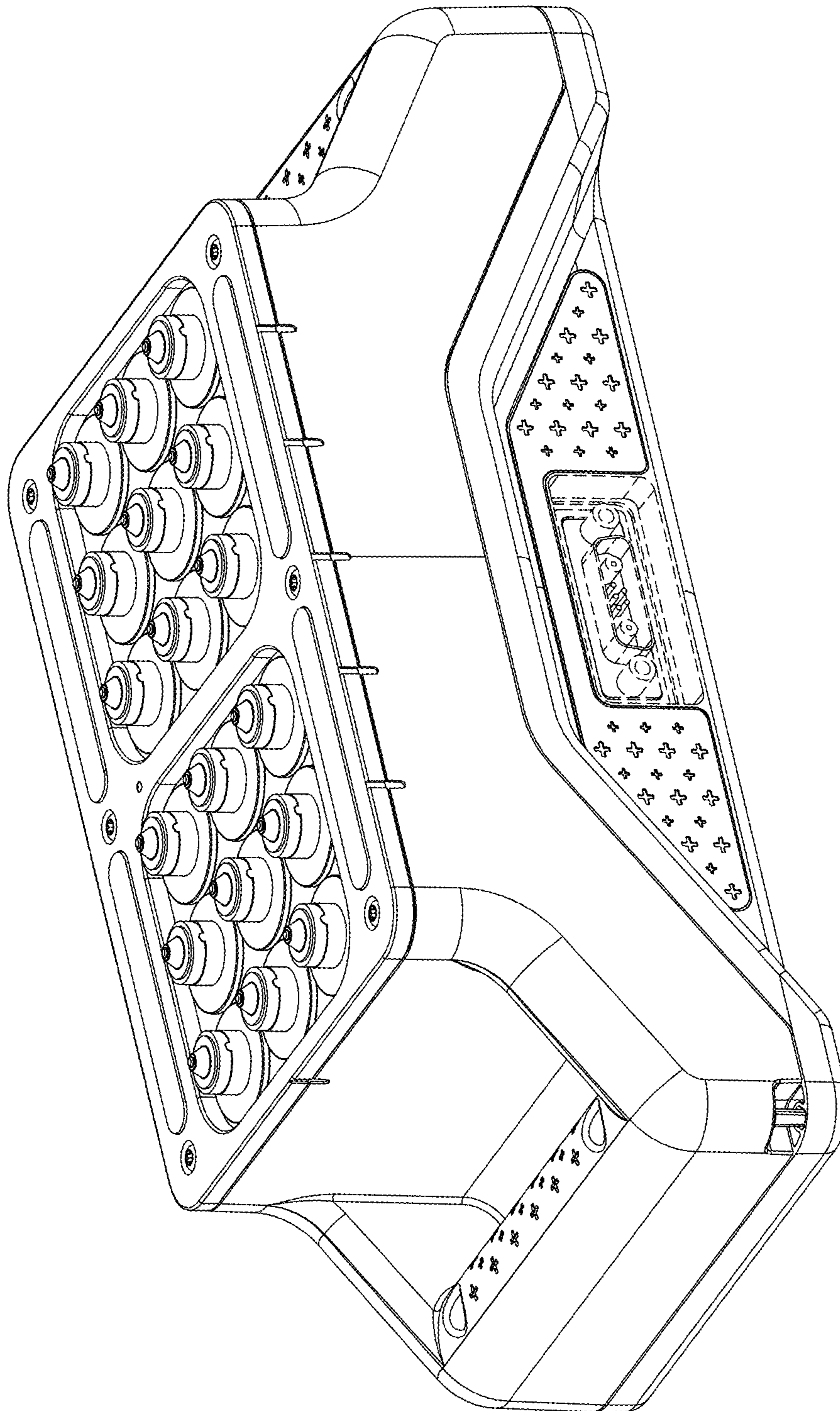


FIG.3

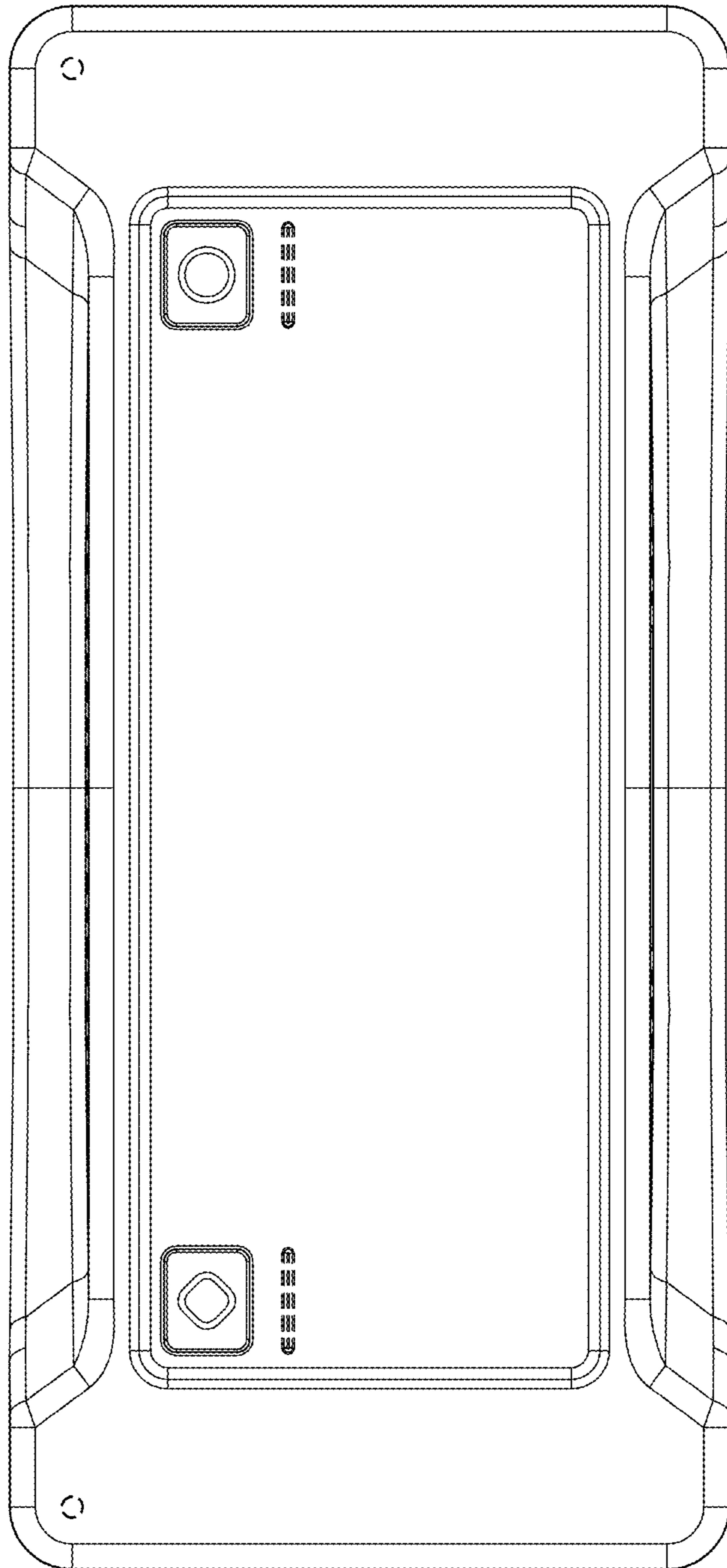


FIG.4

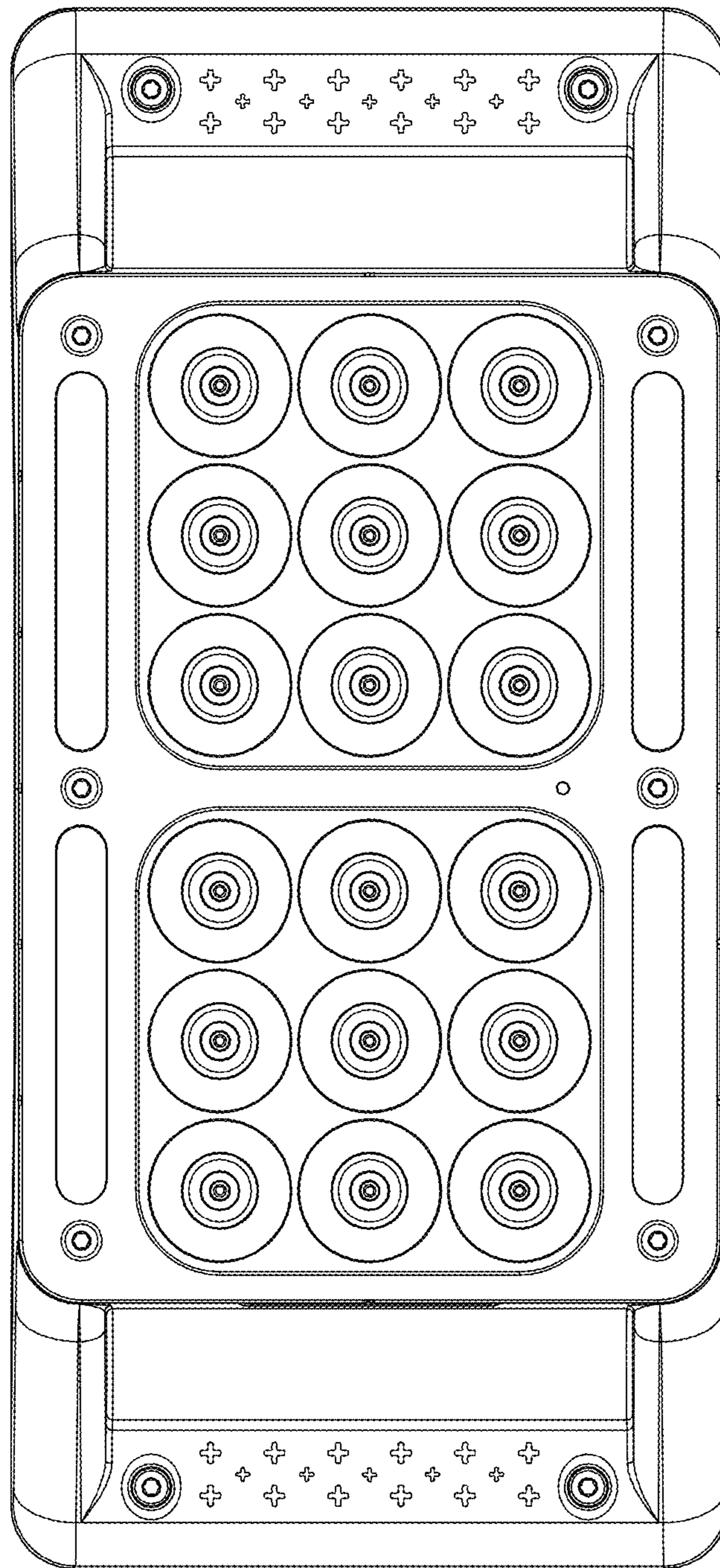


FIG.5

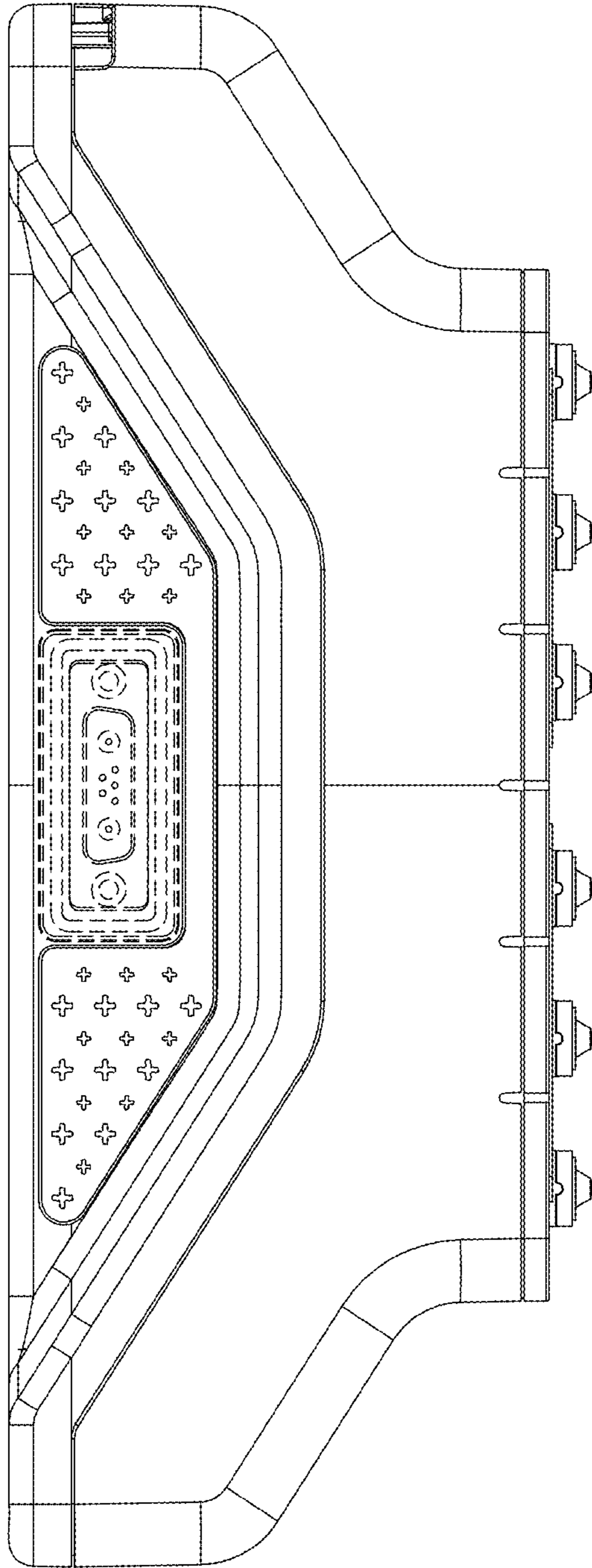


FIG.6

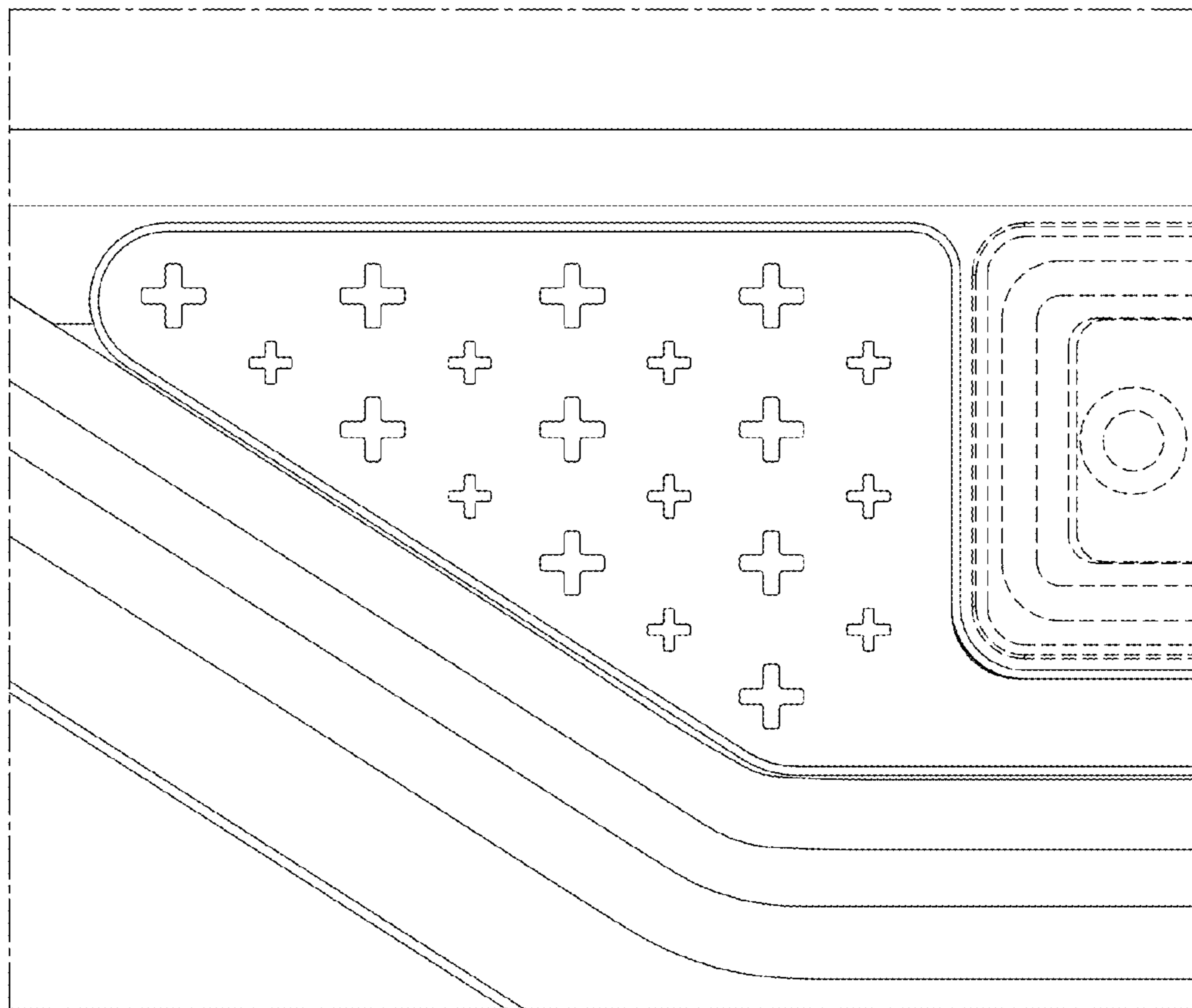


FIG.7

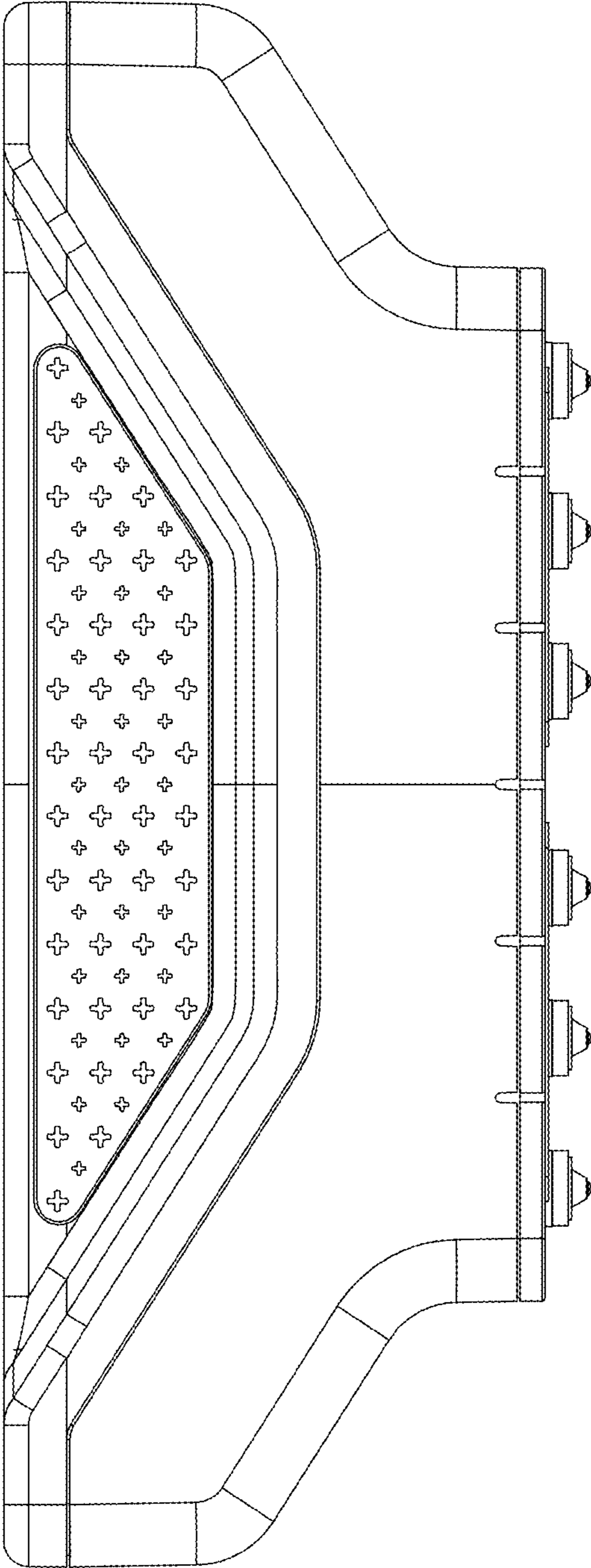


FIG.8

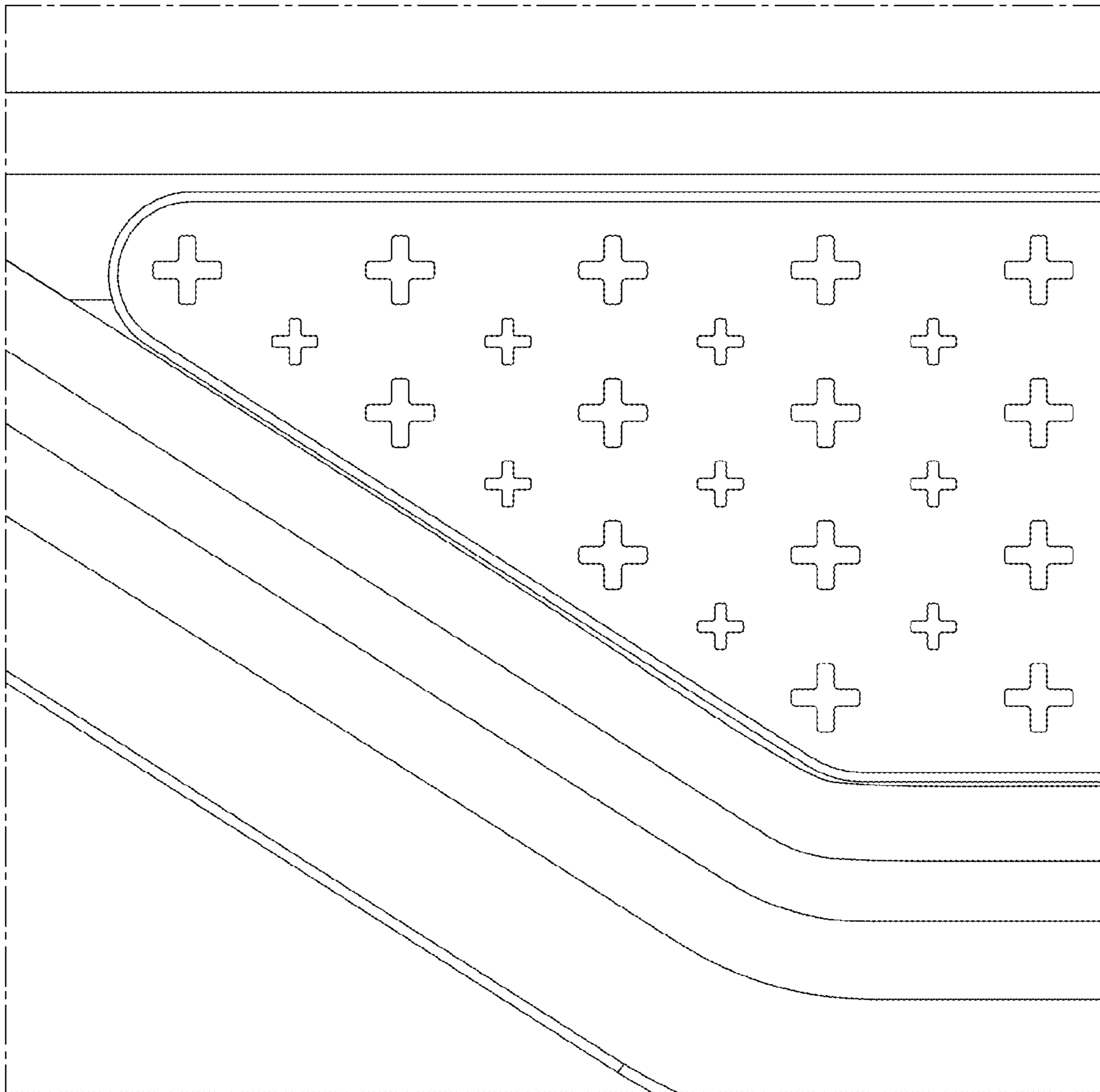


FIG. 9

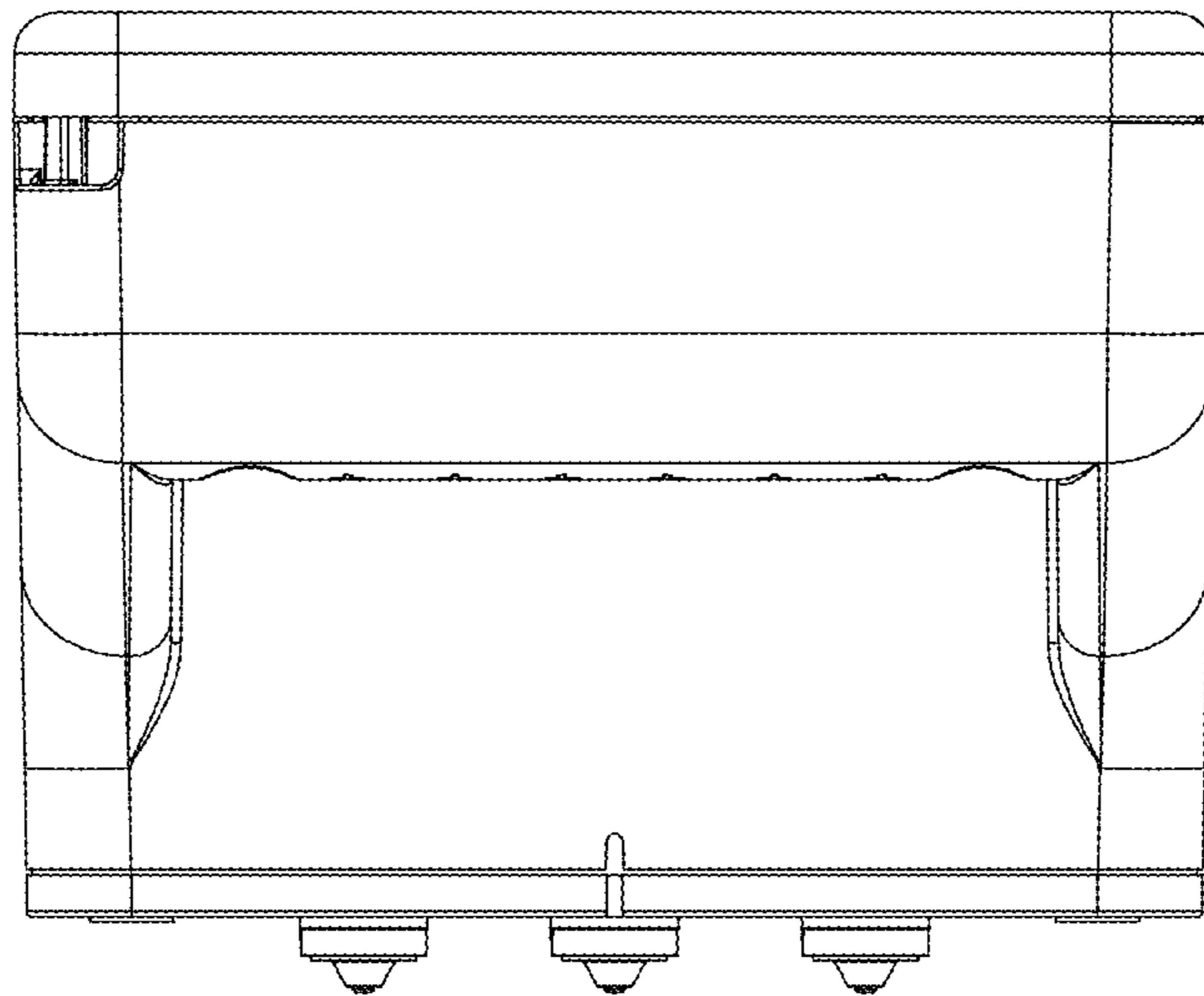


FIG.10

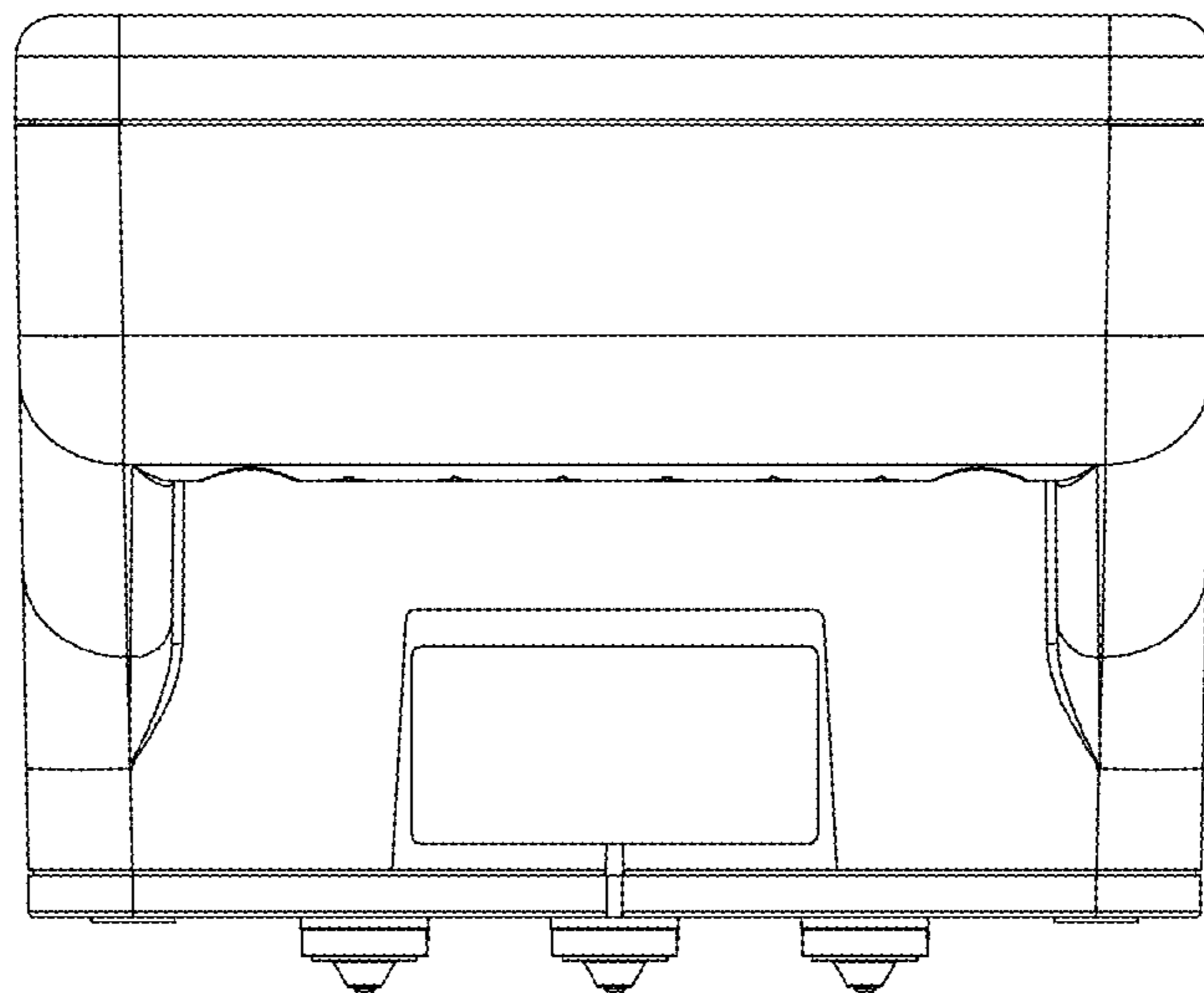


FIG.11