



US00D781733S

(12) **United States Design Patent**  
**Fernandes**

(10) **Patent No.:** **US D781,733 S**  
(45) **Date of Patent:** **\*\* Mar. 21, 2017**

(54) **SMART SWIMMING POOL OR HOT TUB MONITOR**

*Primary Examiner* — Antoine D Davis

(74) *Attorney, Agent, or Firm* — Michael L. Greenberg, Esq.; Greenberg & Lieberman, LLC

(71) Applicant: **CEC—Comunicações e Computadores SA**, Trajouce (PT)

(72) Inventor: **Catarina Saraiva Fernandes**, Lisbon (PT)

(57) **CLAIM**

The ornamental design for a smart swimming pool or hot tub monitor, as shown and described.

(73) Assignee: **CEC—Comunicações e Computadores SA**, Trajouce (PT)

(\*\*) Term: **15 Years**

**DESCRIPTION**

(21) Appl. No.: **29/540,834**

(22) Filed: **Sep. 28, 2015**

(51) **LOC (10) Cl.** ..... **10-04**

(52) **U.S. Cl.**  
USPC ..... **D10/81; D10/102**

(58) **Field of Classification Search**  
USPC ..... **D10/81, 101, 102**  
CPC .... **C02F 1/24; C02F 1/465; C02F 1/66; C02F 9/005; C02F 2103/42; C02F 2209/06; C02F 2307/00; E04H 4/1281**  
See application file for complete search history.

FIG. 1 is a front and right side environmental view of the float of the present invention;  
FIG. 2 is top view of the float of the present invention;  
FIG. 3 is a front view of the float of the present invention;  
FIG. 4 is a bottom view of the float of the present invention;  
FIG. 5 is a back side view of the float of the present invention;  
FIG. 6 is a right side view of the float of the present invention;  
FIG. 7 is a left side view of the float of the present invention;  
FIG. 8 is a front and right side environmental view of the gateway of the present invention;  
FIG. 9 is top view of the gateway of the present invention;  
FIG. 10 is a front view of the gateway of the present invention;  
FIG. 11 is a bottom view of the gateway of the present invention;  
FIG. 12 is a back side view of the gateway of the present invention;  
FIG. 13 is a right side view of the gateway of the present invention; and,  
FIG. 14 is a left side view of the gateway of the present invention.

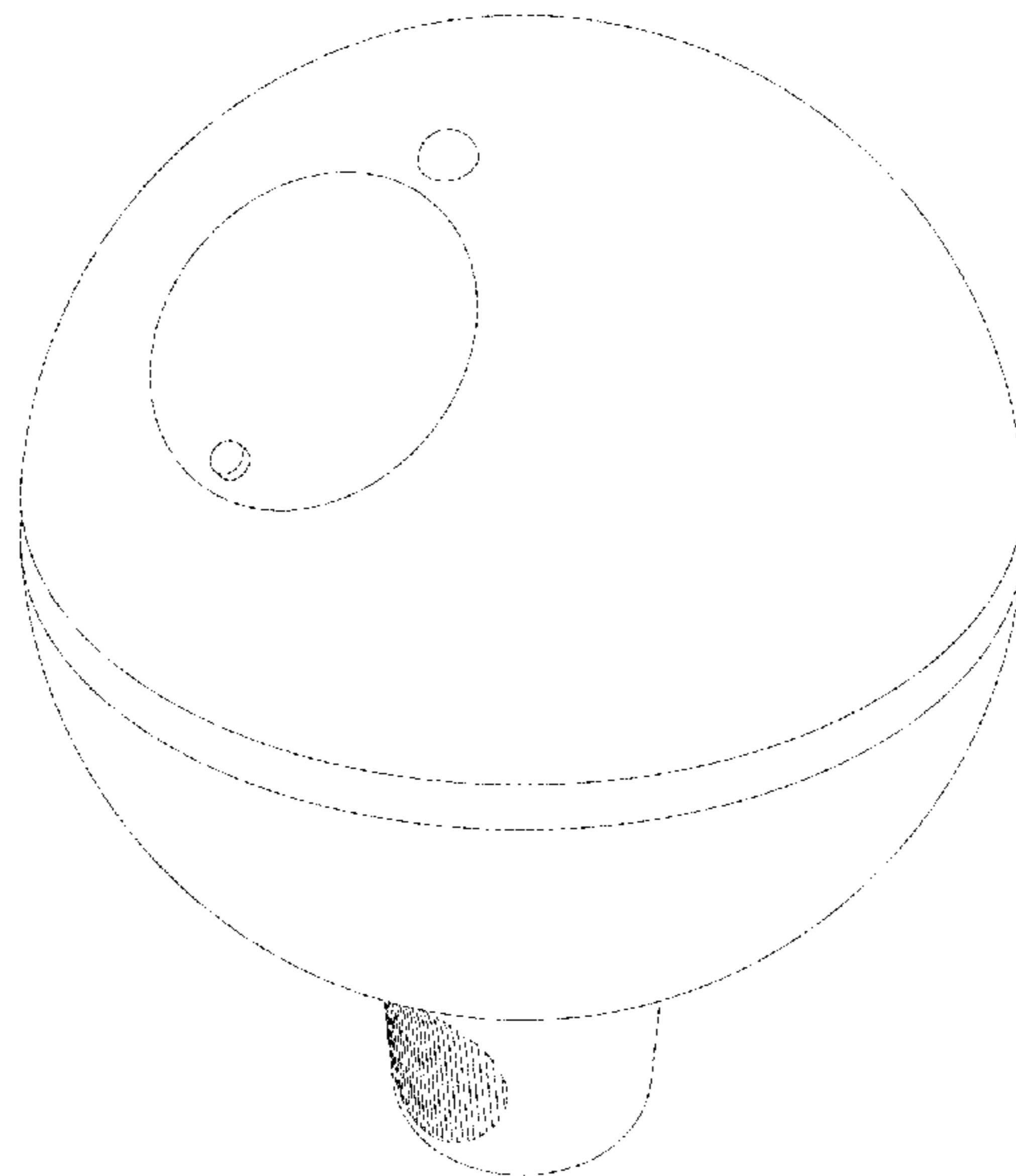
(56) **References Cited**

**U.S. PATENT DOCUMENTS**

6,245,230	B1 *	6/2001	Ricci	.....	C02F 1/705 137/268
6,500,334	B1 *	12/2002	King	.....	B01F 1/0027 210/205
6,958,693	B2 *	10/2005	Rothgeb	.....	A47L 15/4297 134/113
D548,631	S *	8/2007	Roberts	.....	D10/81
9,039,903	B2 *	5/2015	King	.....	C02F 1/688 210/167.11

(Continued)

**1 Claim, 8 Drawing Sheets**



(56)

**References Cited**

U.S. PATENT DOCUMENTS

9,227,164 B2 \* 1/2016 Sherman ..... B01F 13/0049  
D756,819 S \* 5/2016 Dabrowski ..... D10/81

\* cited by examiner

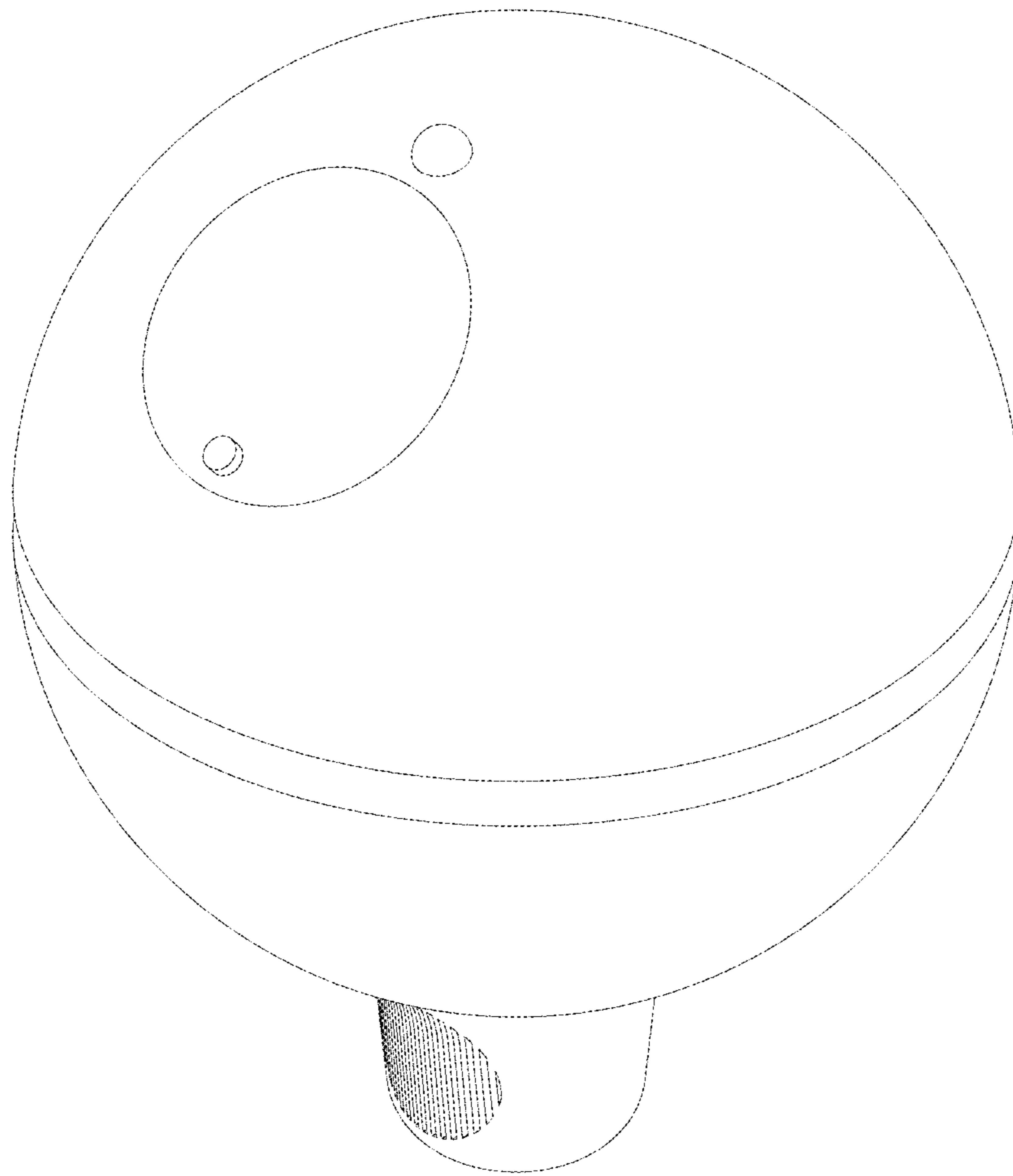


Figure 1

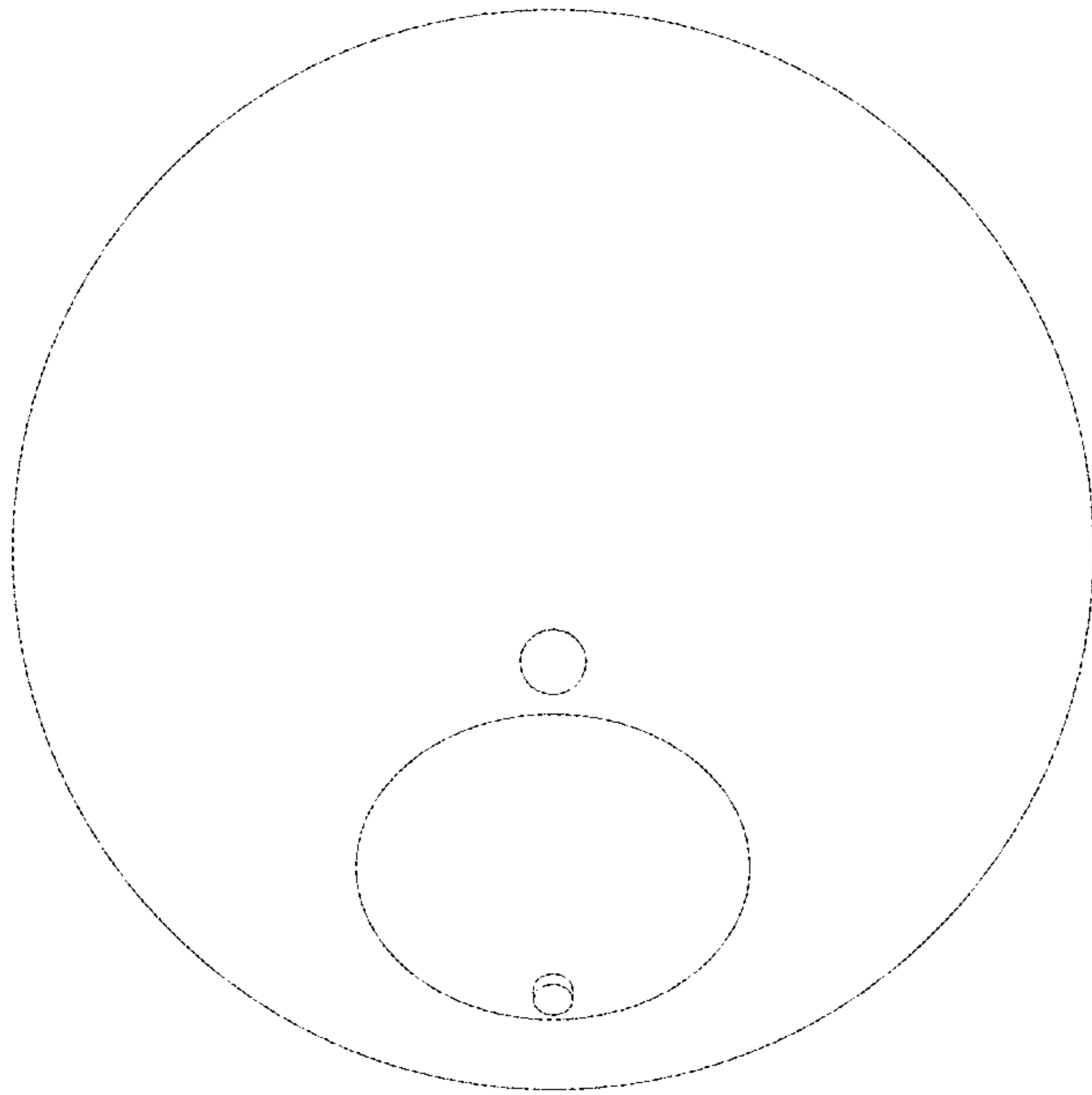


Figure 2

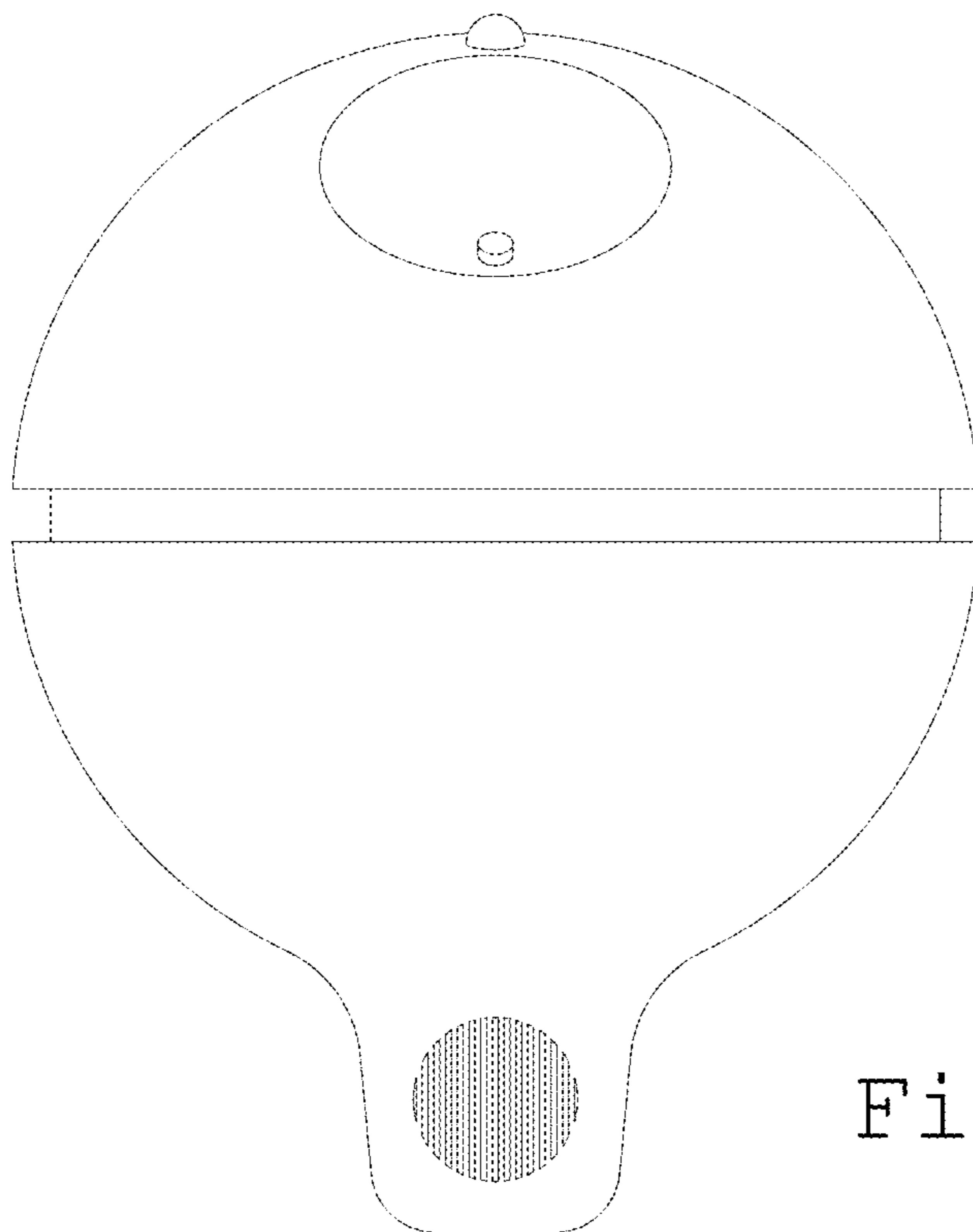


Figure 3

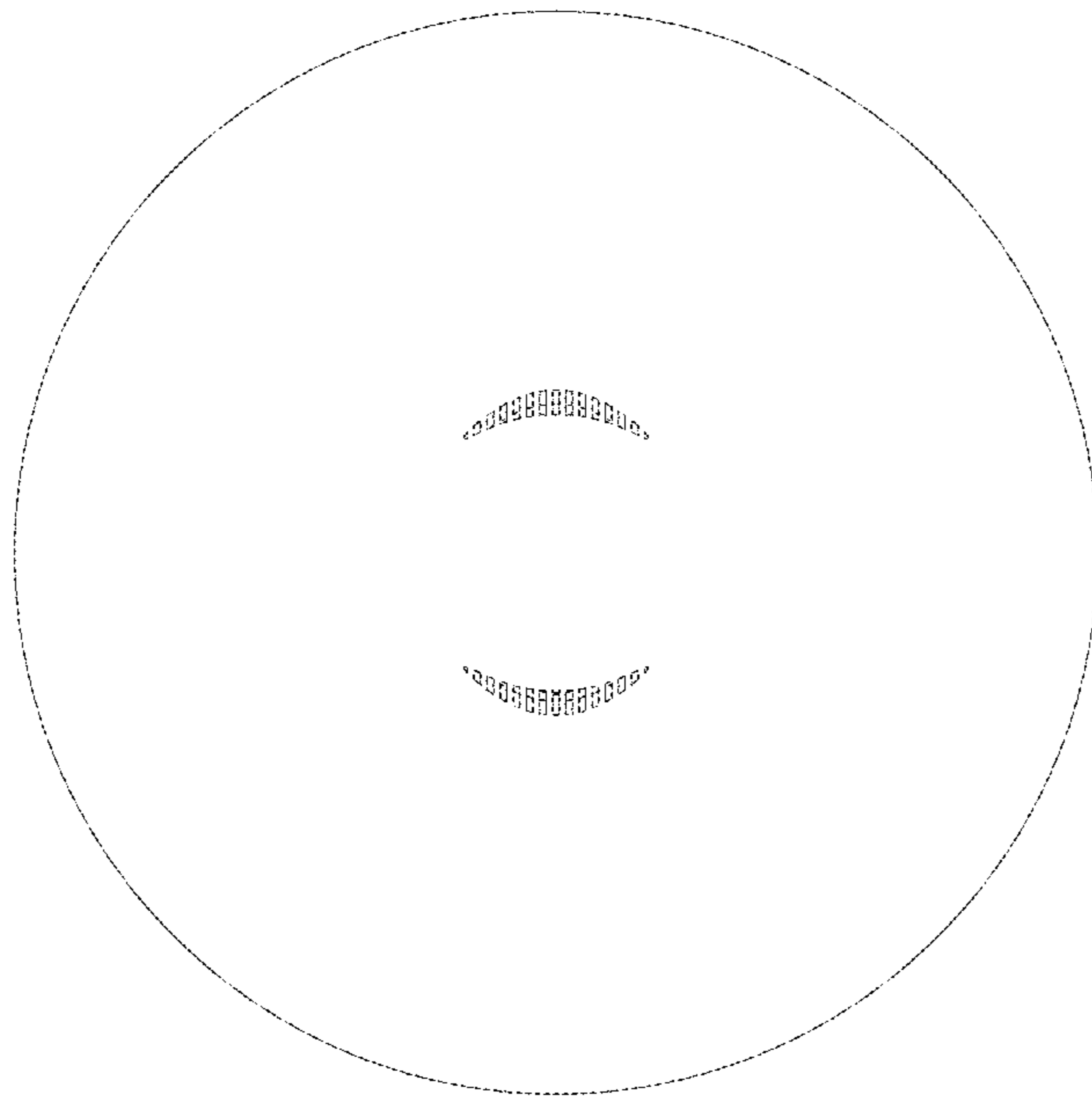


Figure 4

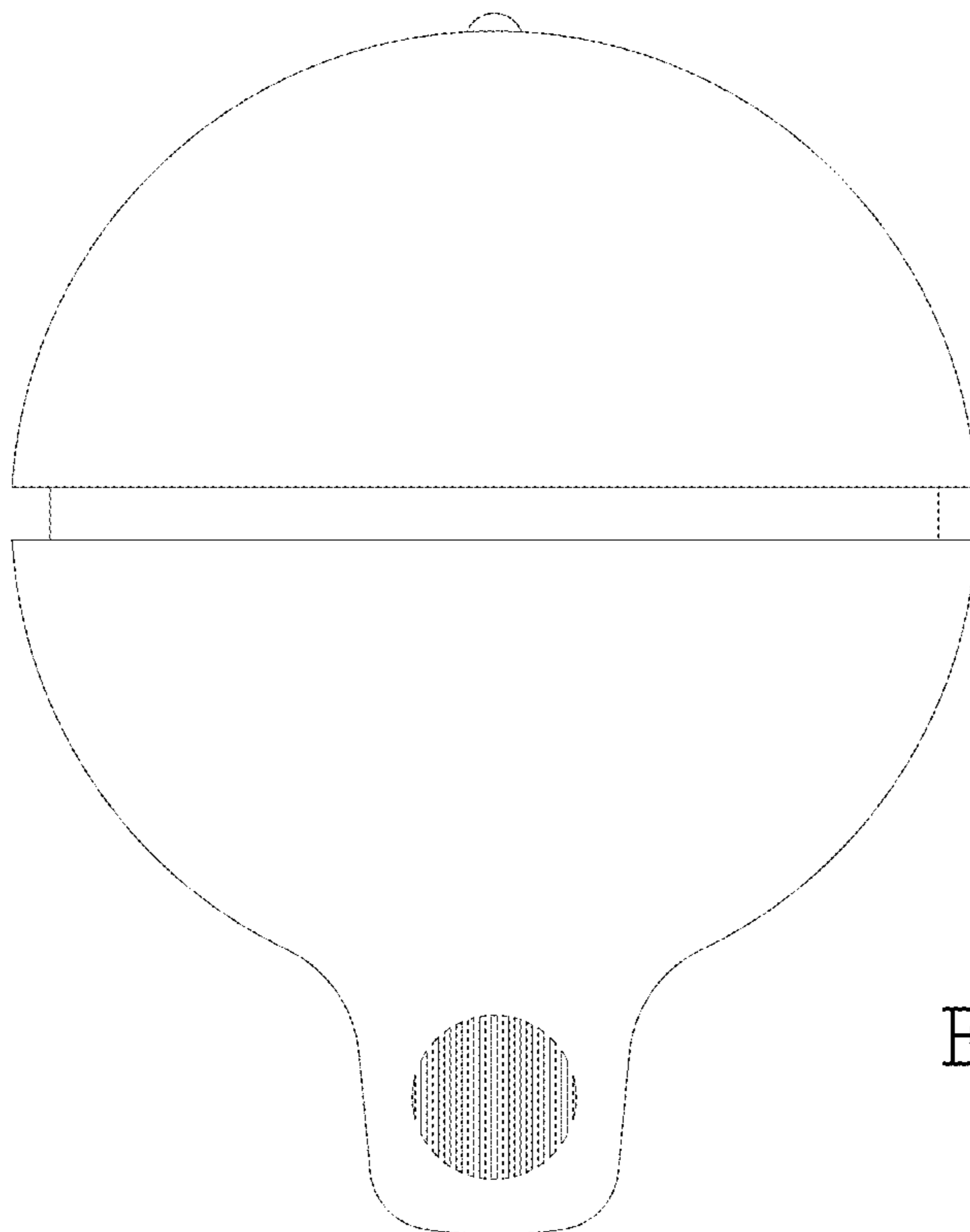


Figure 5

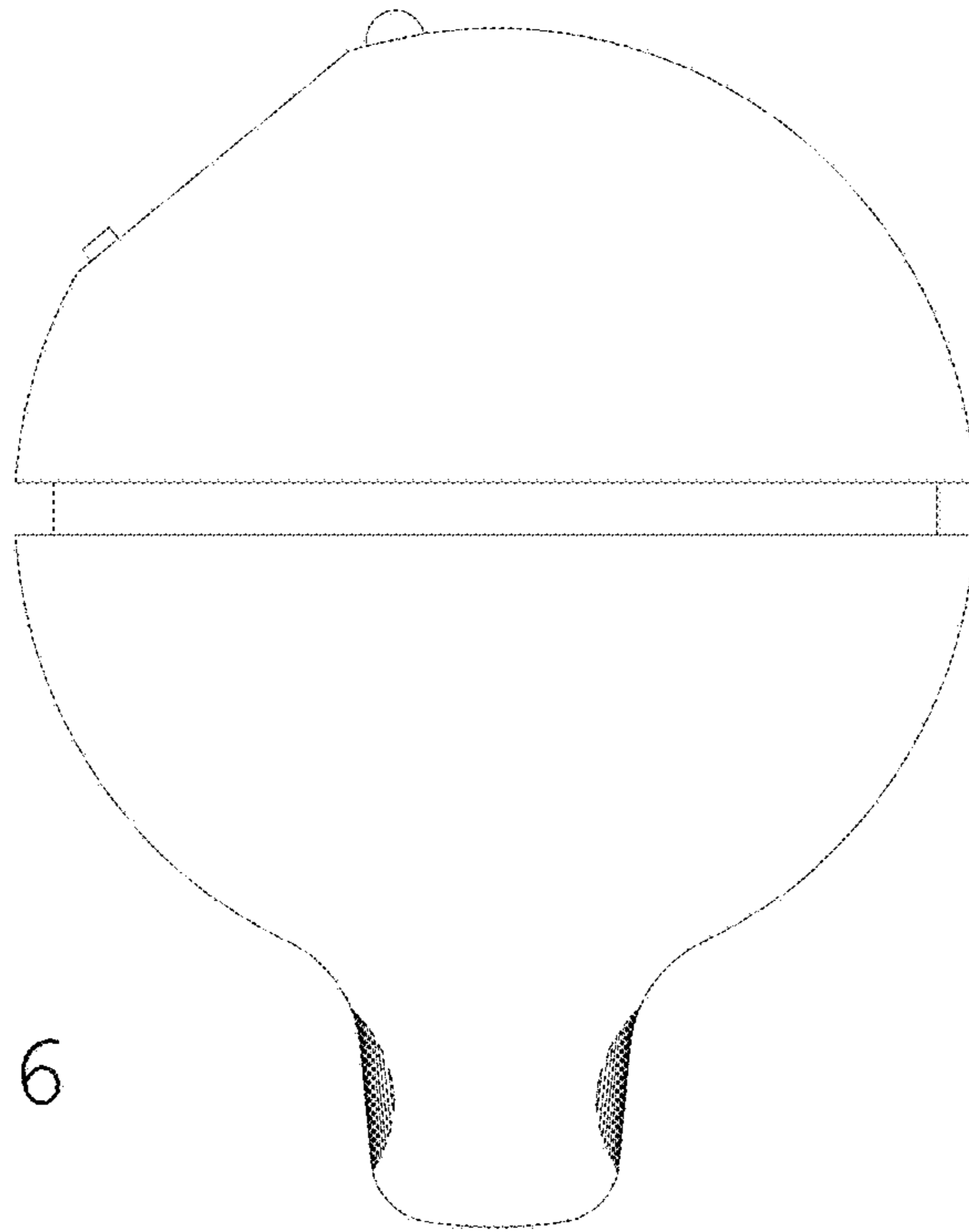


Figure 6

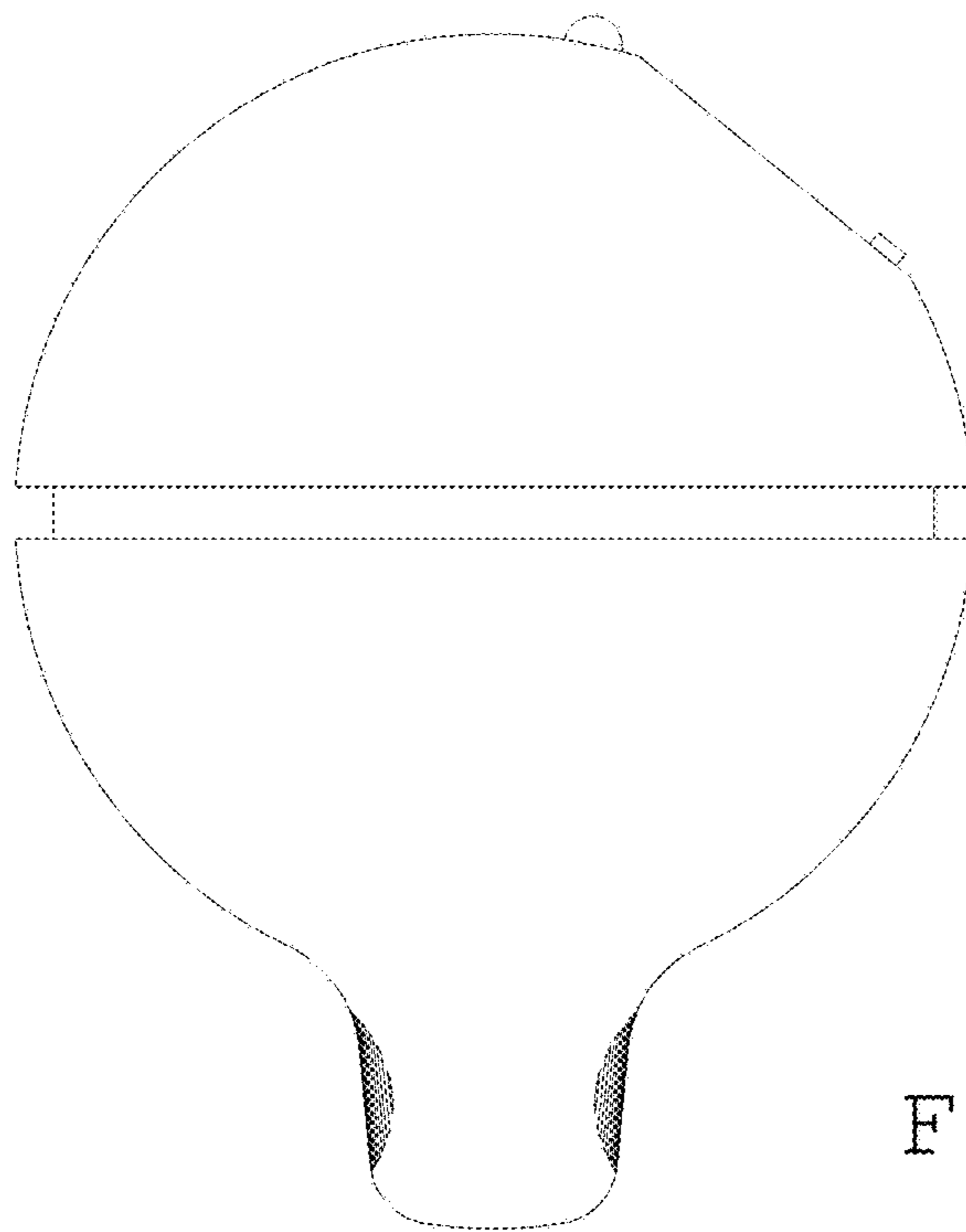


Figure 7

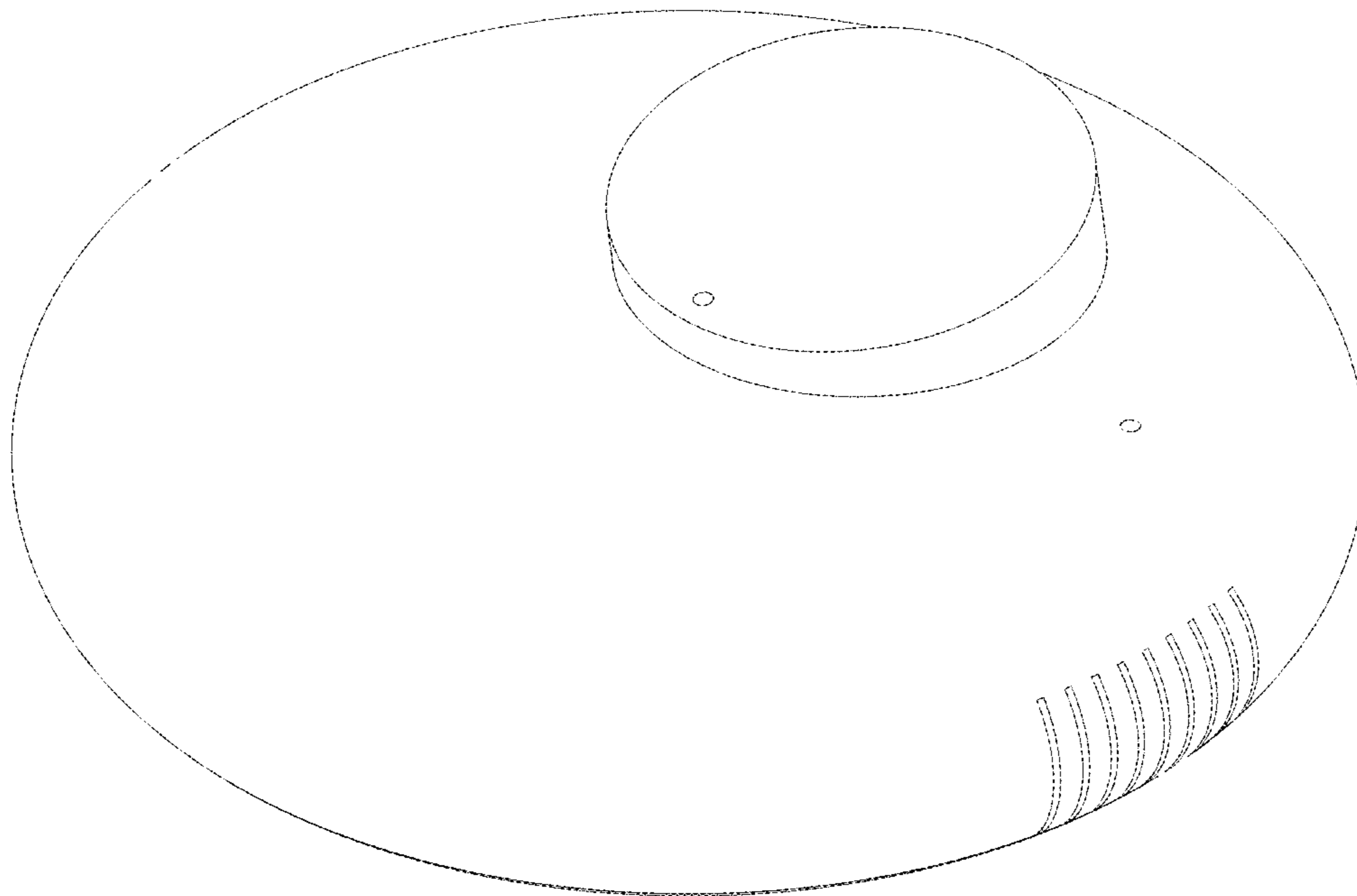


Figure 8

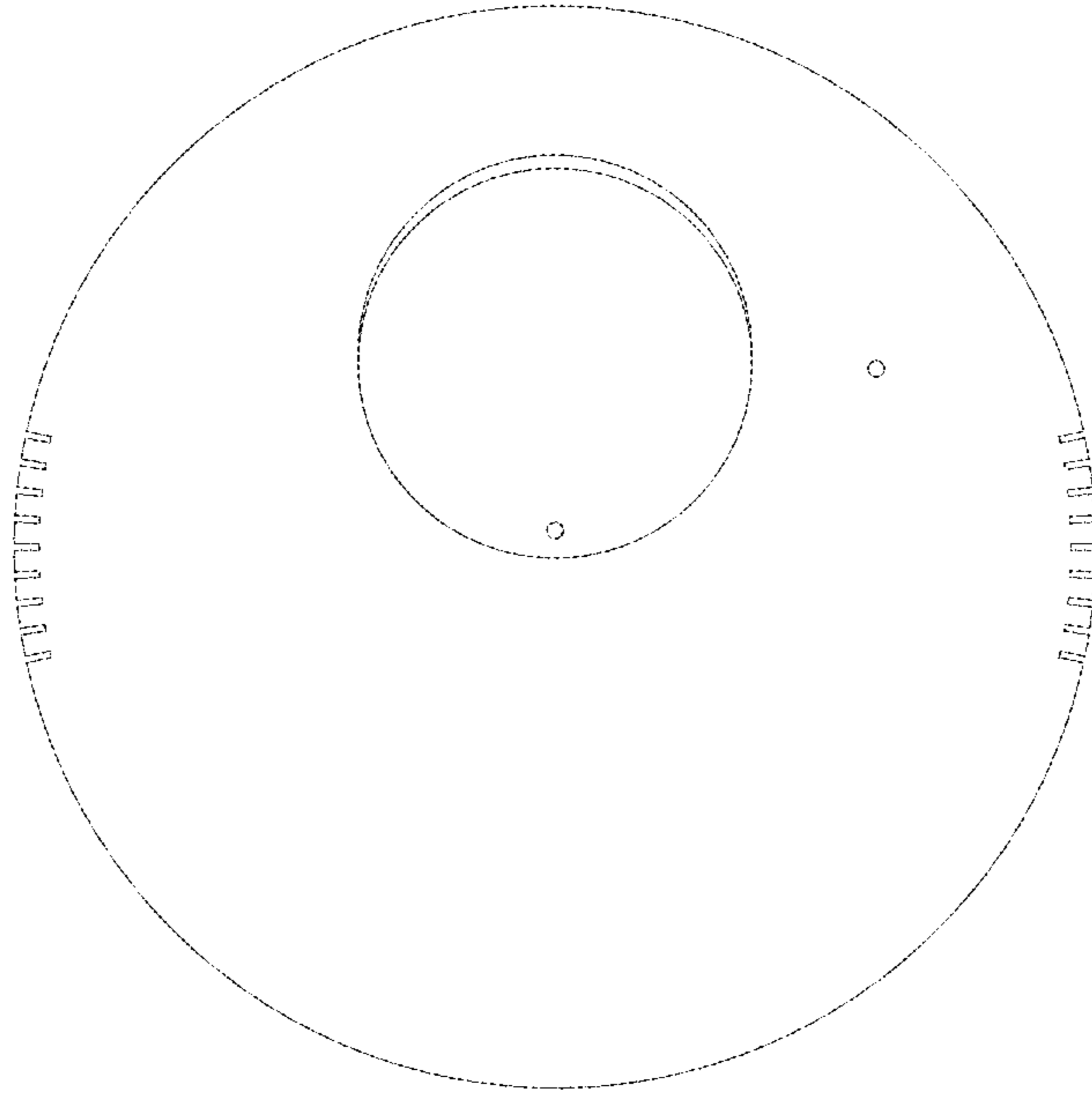


Figure 9

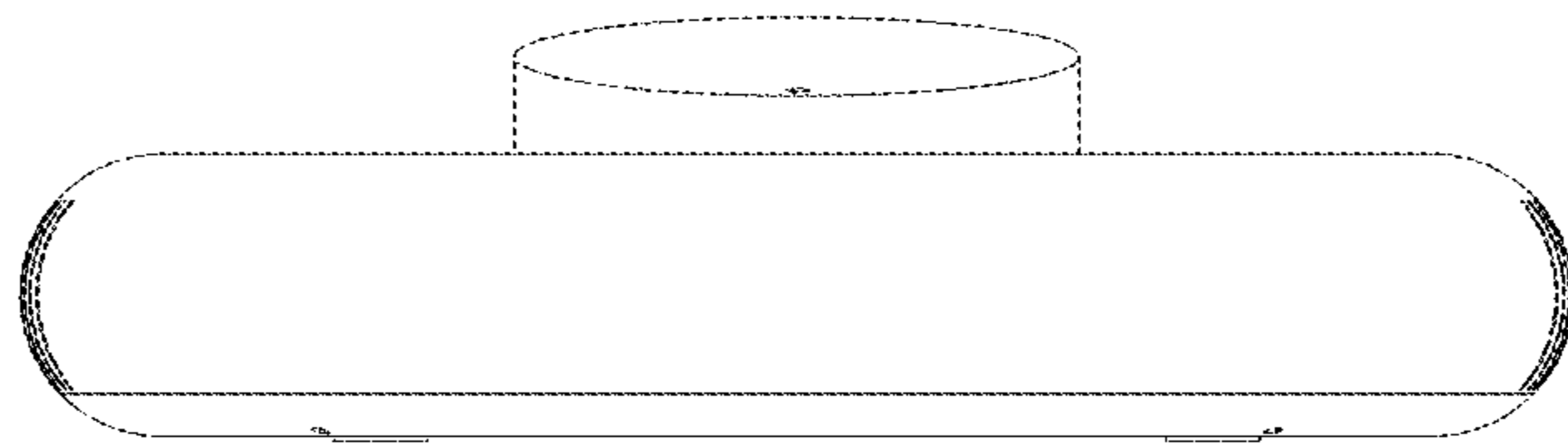


Figure 10



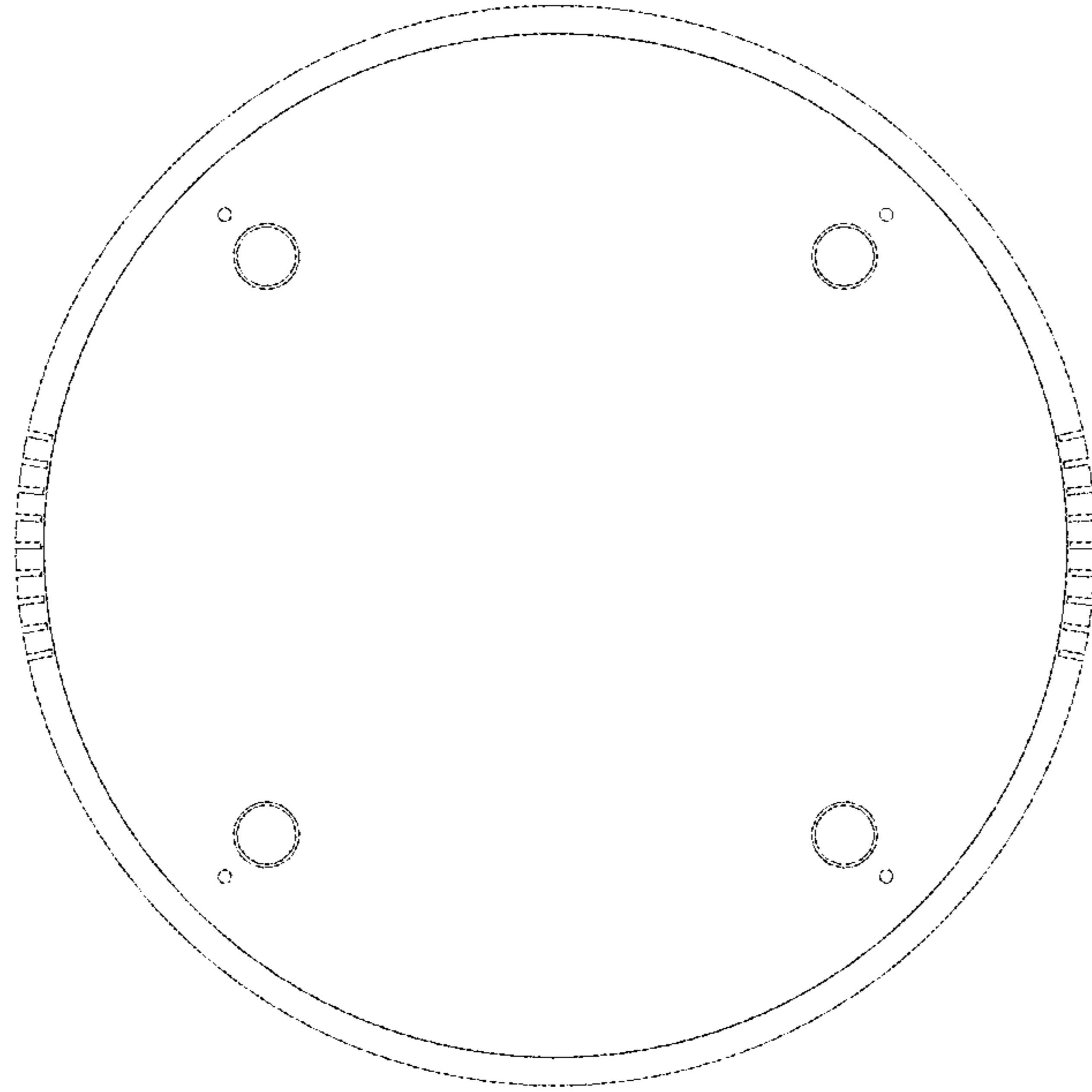


Figure 11

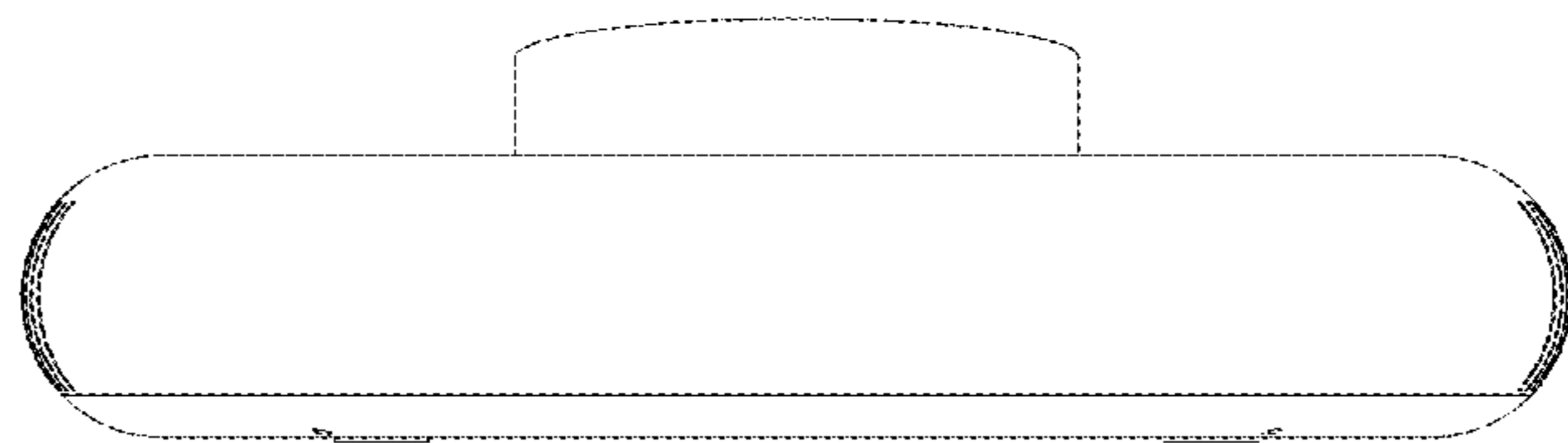


Figure 12

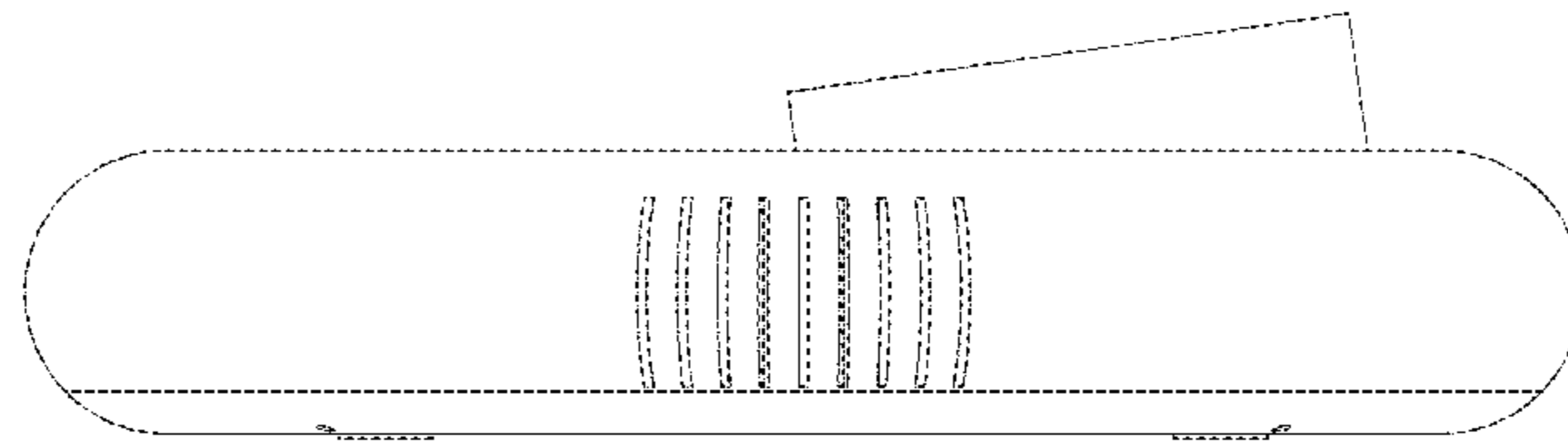


Figure 13

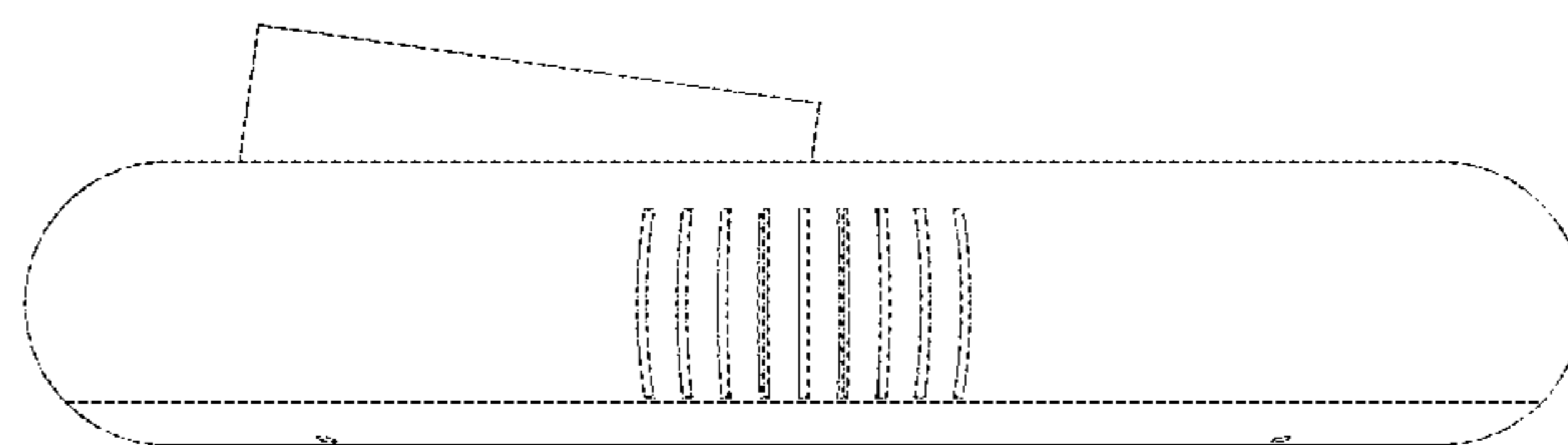


Figure 14