



US00D781728S

(12) **United States Design Patent**  
**Ryu et al.**

(10) **Patent No.:** **US D781,728 S**

(45) **Date of Patent:** **\*\* \*Mar. 21, 2017**

(54) **NAVIGATION DEVICE FOR A VEHICLE WITH AUDIO-VIDEO**

G06F 3/0483; G06F 3/0484; G06F 3/04842; G06F 3/04845; G06F 3/04897; G06F 3/0485

(71) Applicant: **LG ELECTRONICS INC.**, Seoul (KR)

See application file for complete search history.

(72) Inventors: **Daihyung Ryu**, Seoul (KR); **Youngkook Seo**, Seoul (KR); **Jinhee Kim**, Seoul (KR)

(56) **References Cited**

U.S. PATENT DOCUMENTS

(73) Assignee: **LG Electronics Inc.**, Seoul (KR)

D606,428 S \* 12/2009 Vanderbloomen ..... D10/65  
D715,167 S \* 10/2014 Busse ..... D10/65  
D761,138 S \* 7/2016 Manabe ..... D10/65  
D763,107 S \* 8/2016 Nielsen ..... D10/65

(\* ) Notice: This patent is subject to a terminal disclaimer.

\* cited by examiner

(\*\*) Term: **15 Years**

*Primary Examiner* — Antoine D Davis

(21) Appl. No.: **29/546,319**

(74) *Attorney, Agent, or Firm* — Birch, Stewart, Kolasch & Birch, LLP

(22) Filed: **Nov. 20, 2015**

(57) **CLAIM**

The ornamental design for a navigation device for a vehicle with audio-video, as shown and described.

(30) **Foreign Application Priority Data**

**DESCRIPTION**

May 20, 2015 (KR) ..... 30-2015-0025677

(51) **LOC (10) Cl.** ..... **10-04**

(52) **U.S. Cl.**  
USPC ..... **D10/65**

(58) **Field of Classification Search**  
USPC ..... D10/65  
CPC ..... G06F 17/50; G06F 17/2235; G06F 17/30867; G06F 17/30699; G06F 3/048; G06F 3/0481; G06F 3/04812; G06F 3/04815; G06F 3/04817; G06F 3/0482;

FIG. 1 is a front, right side, perspective view of a navigation device for a vehicle with audio-video showing our new design;

FIG. 2 is a front view thereof;  
FIG. 3 is a rear view thereof;  
FIG. 4 is a left side view thereof;  
FIG. 5 is a right side view thereof;  
FIG. 6 is a top view thereof; and,  
FIG. 7 is a bottom view thereof.

**1 Claim, 3 Drawing Sheets**

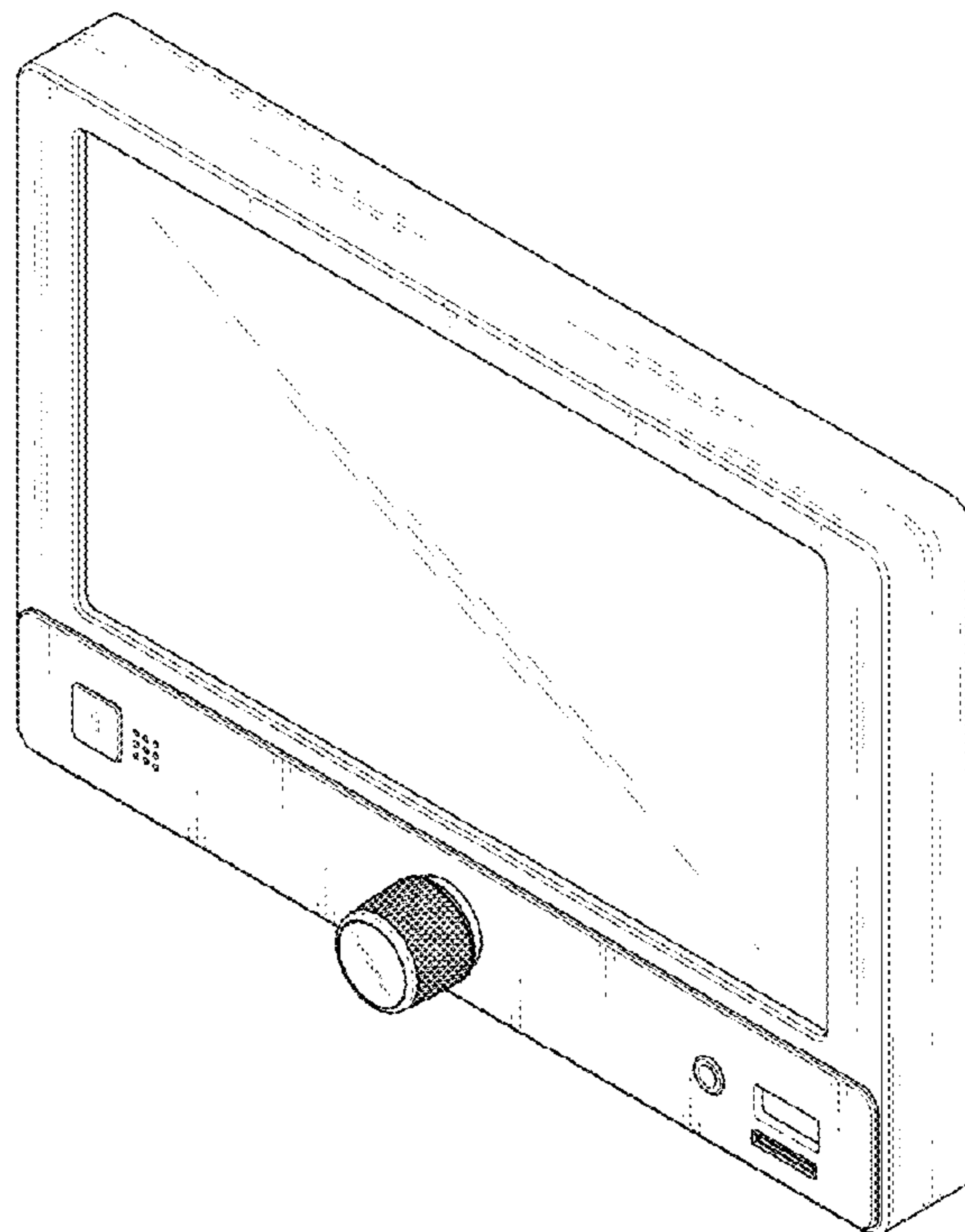


FIG. 1

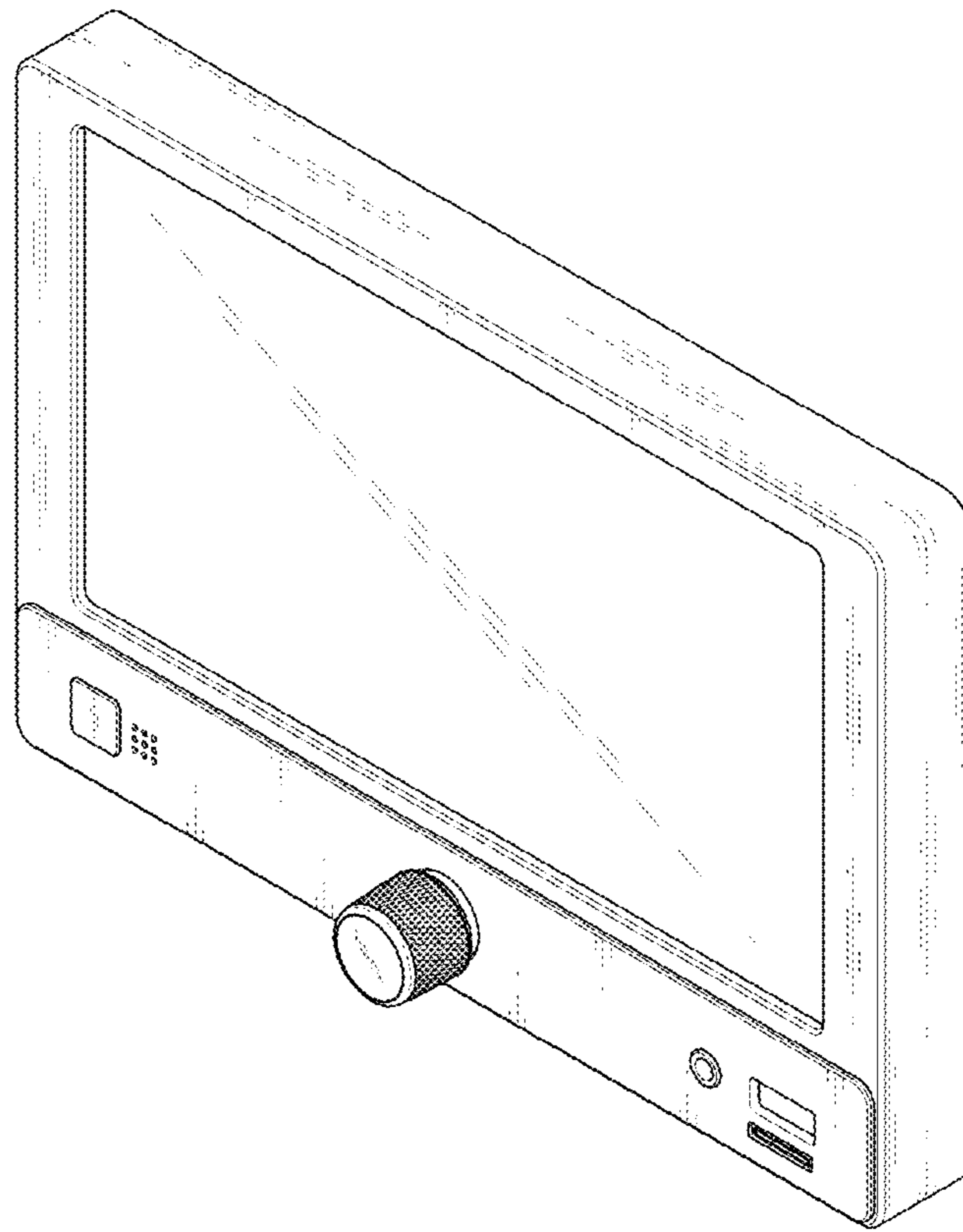


FIG. 2

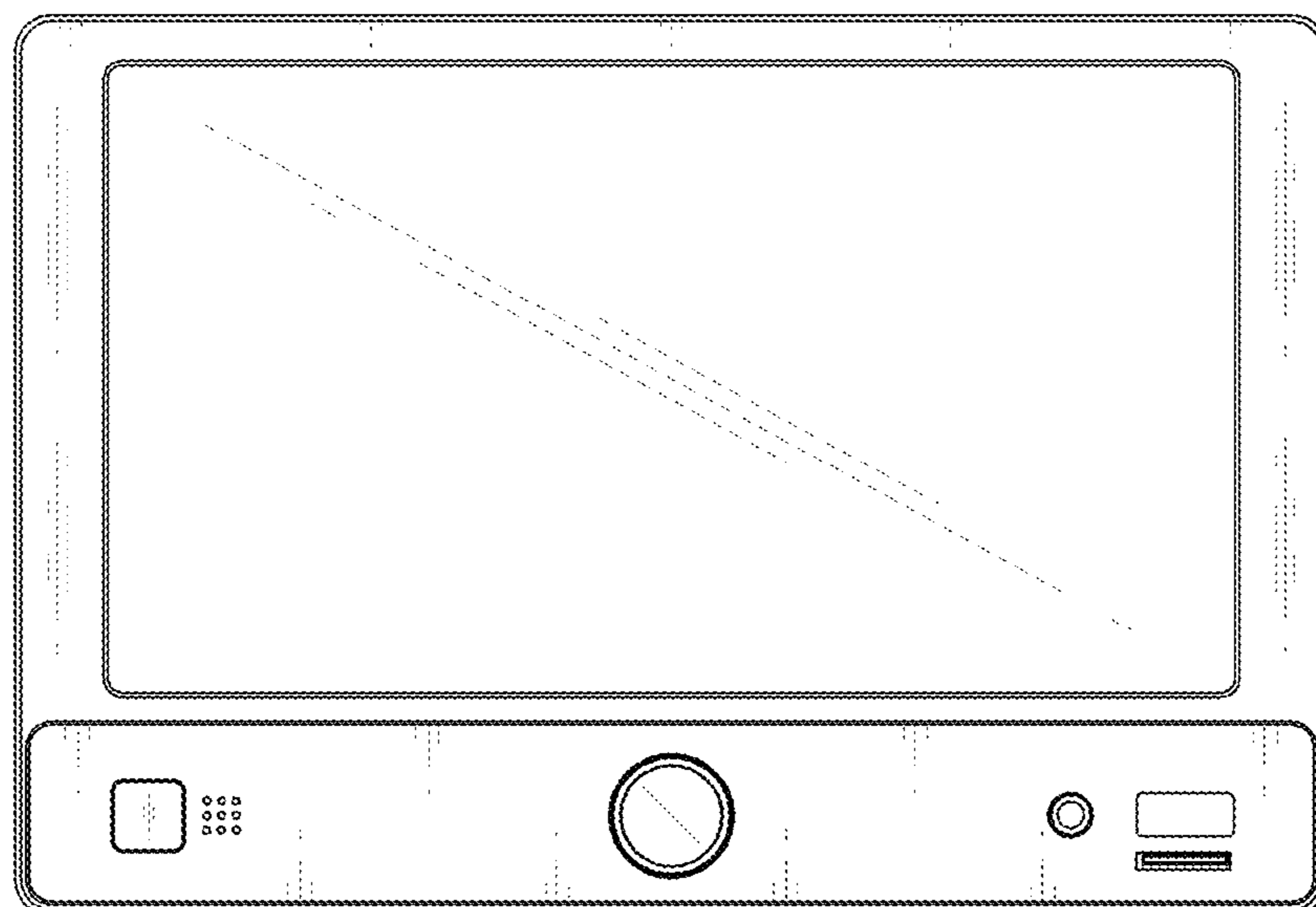


FIG. 3

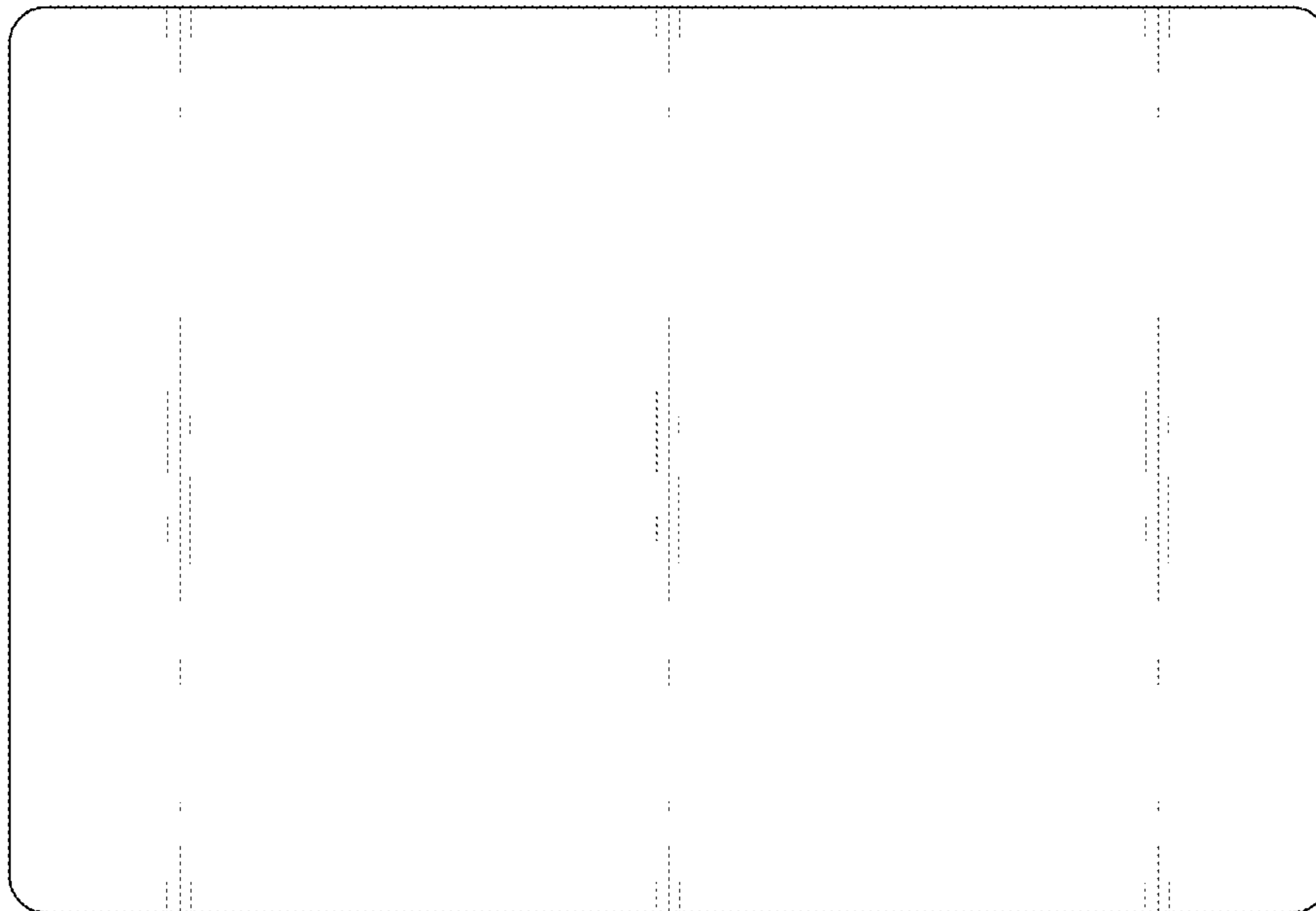


FIG. 4

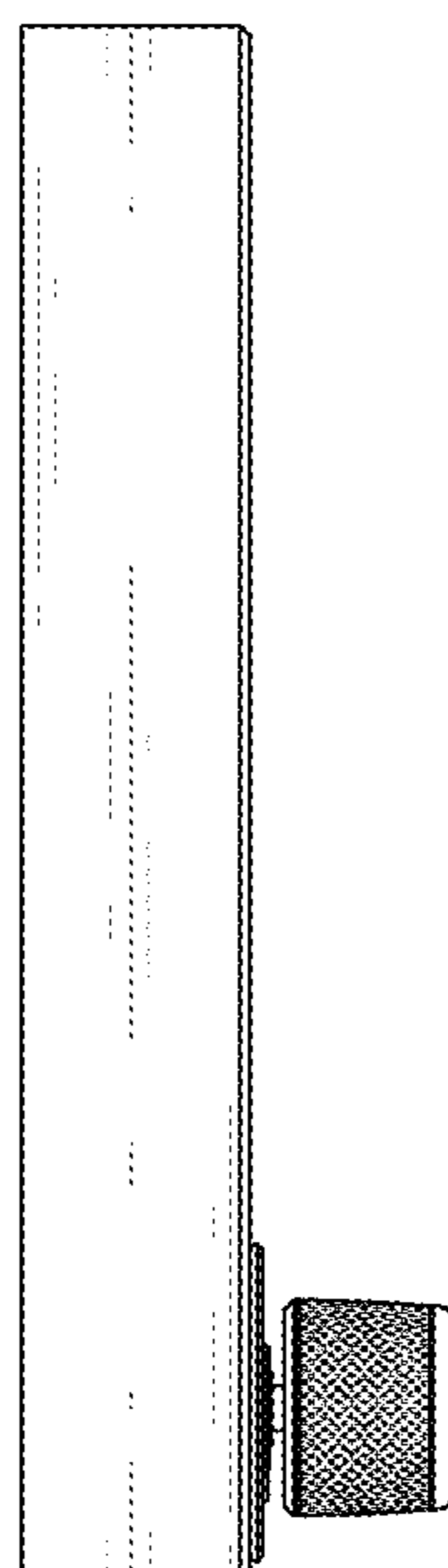


FIG. 5

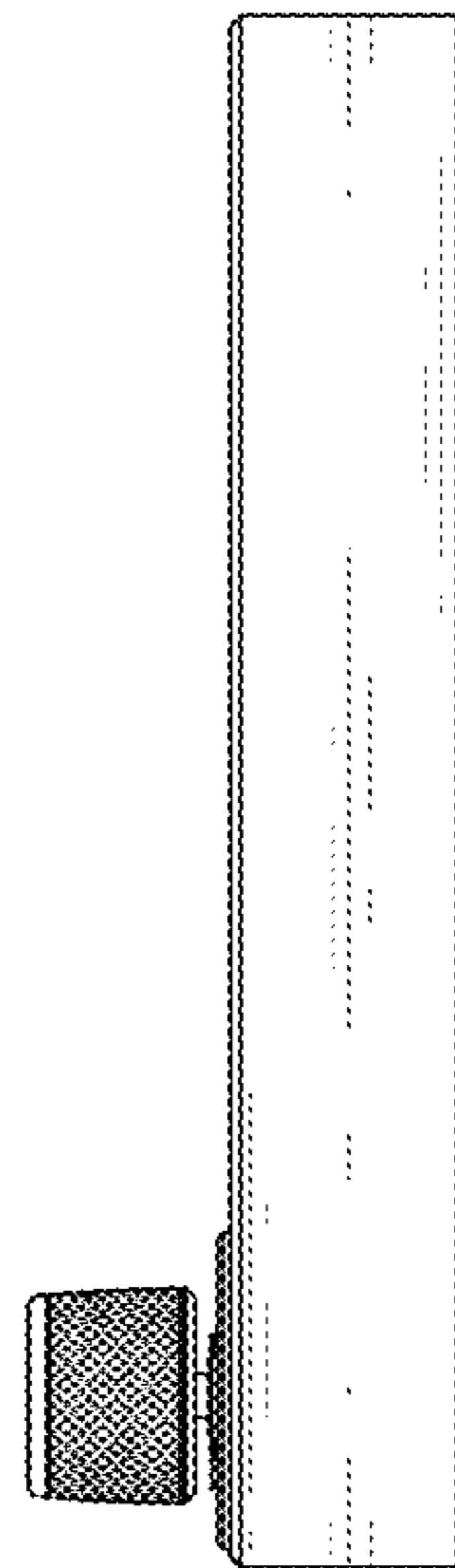


FIG. 6

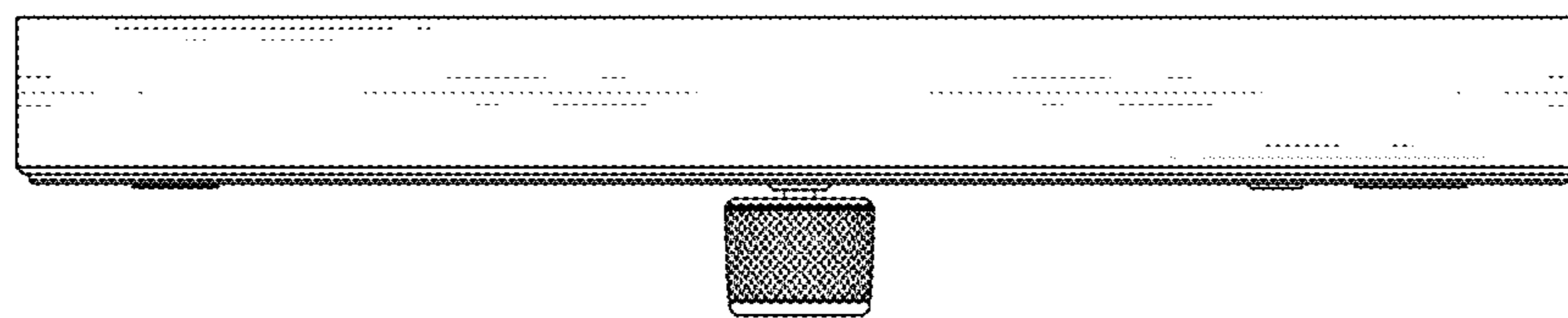


FIG. 7

