



US00D781726S

(12) **United States Design Patent**  
**Zimdahl**

(10) **Patent No.:** **US D781,726 S**  
(45) **Date of Patent:** **\*\* Mar. 21, 2017**

(54) **TEMPLATE DEVICE FOR FITTING DOOR HANDLES**

D455,085 S \* 4/2002 Dawson ..... D10/64  
7,003,889 B1 \* 2/2006 Luciani ..... E05B 17/06  
33/194  
7,530,770 B2 \* 5/2009 Chao ..... B23B 47/287  
408/103

(71) Applicant: **Allen Patrick Zimdahl**, Parkerville (AU)

(72) Inventor: **Allen Patrick Zimdahl**, Parkerville (AU)

(\*\*) Term: **15 Years**

(21) Appl. No.: **29/543,452**

(22) Filed: **Oct. 23, 2015**

(51) **LOC (10) Cl.** ..... **10-04**

(52) **U.S. Cl.**  
USPC ..... **D10/64**

(58) **Field of Classification Search**  
USPC ..... D10/62, 64  
CPC ..... E05D 11/0009; E05B 17/06  
See application file for complete search history.

(56) **References Cited**

**U.S. PATENT DOCUMENTS**

2,634,507 A \* 4/1953 Boatwright ..... E05B 17/06  
33/197  
3,426,418 A \* 2/1969 Maloney ..... E05B 15/0205  
29/283

\* cited by examiner

*Primary Examiner* — Antoine D Davis  
(74) *Attorney, Agent, or Firm* — Tope-McKay & Associates

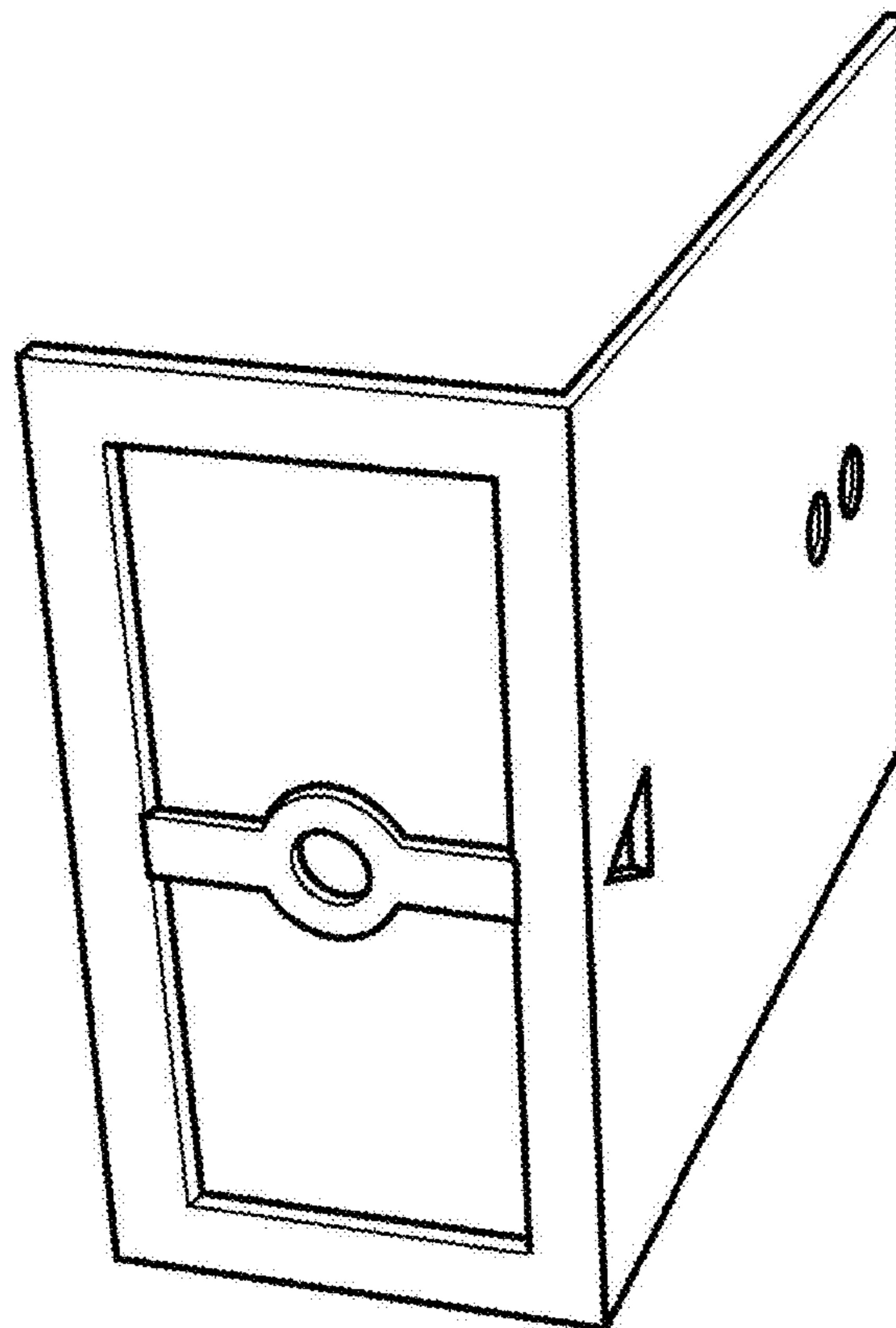
(57) **CLAIM**

The ornamental design for a template device for fitting door handles, as shown.

**DESCRIPTION**

FIG. 1 is a front top perspective view of a template device for fitting door handles in accordance with the new design; FIG. 2 is a rear bottom perspective view thereof; FIG. 3 is a front elevation view thereof; FIG. 4 is a rear elevation view thereof; FIG. 5 is a left side elevation view thereof; FIG. 6 is a right side elevation view thereof; FIG. 7 is a top plan view thereof; and, FIG. 8 is a bottom plan view thereof.

**1 Claim, 8 Drawing Sheets**



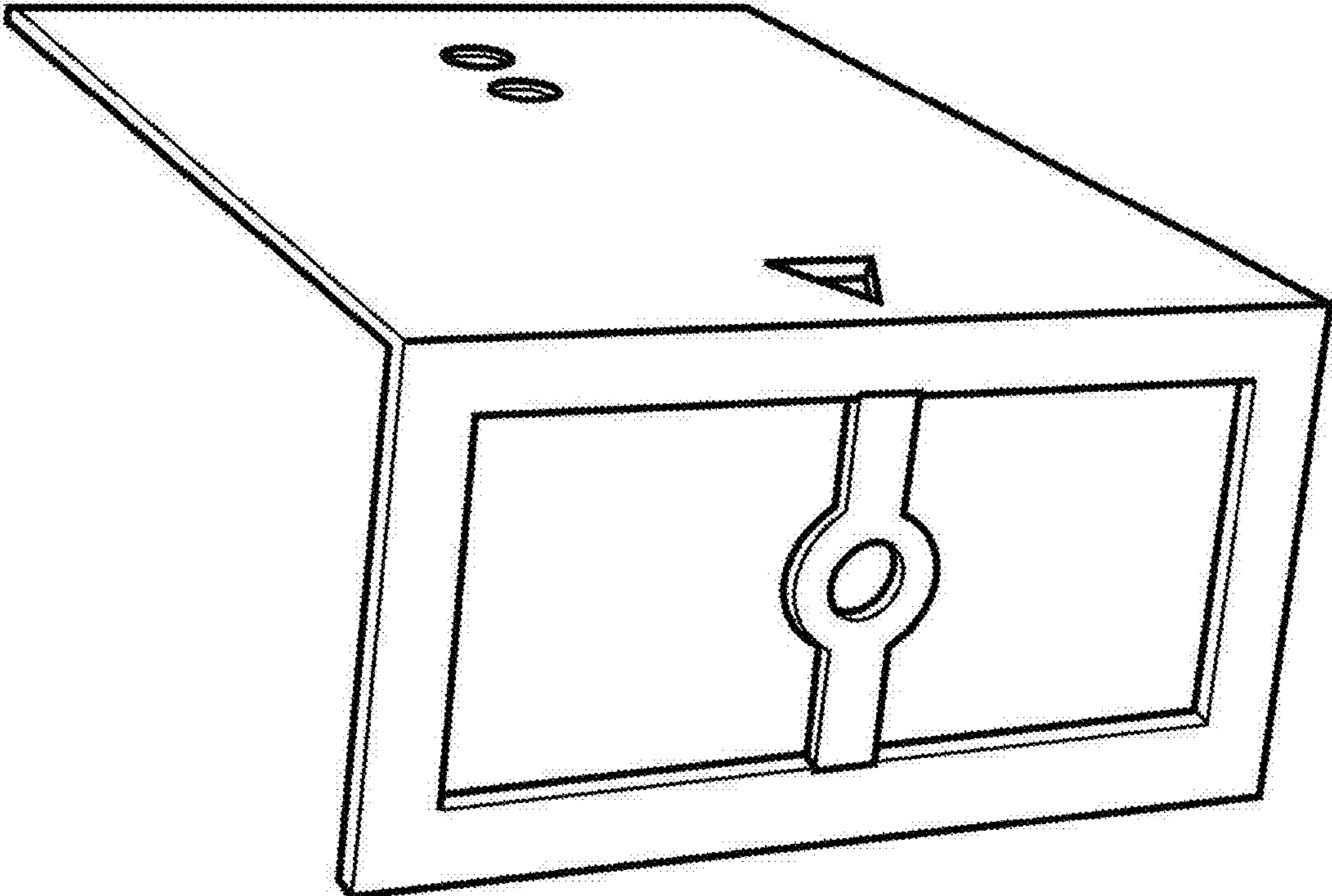


Fig. 1

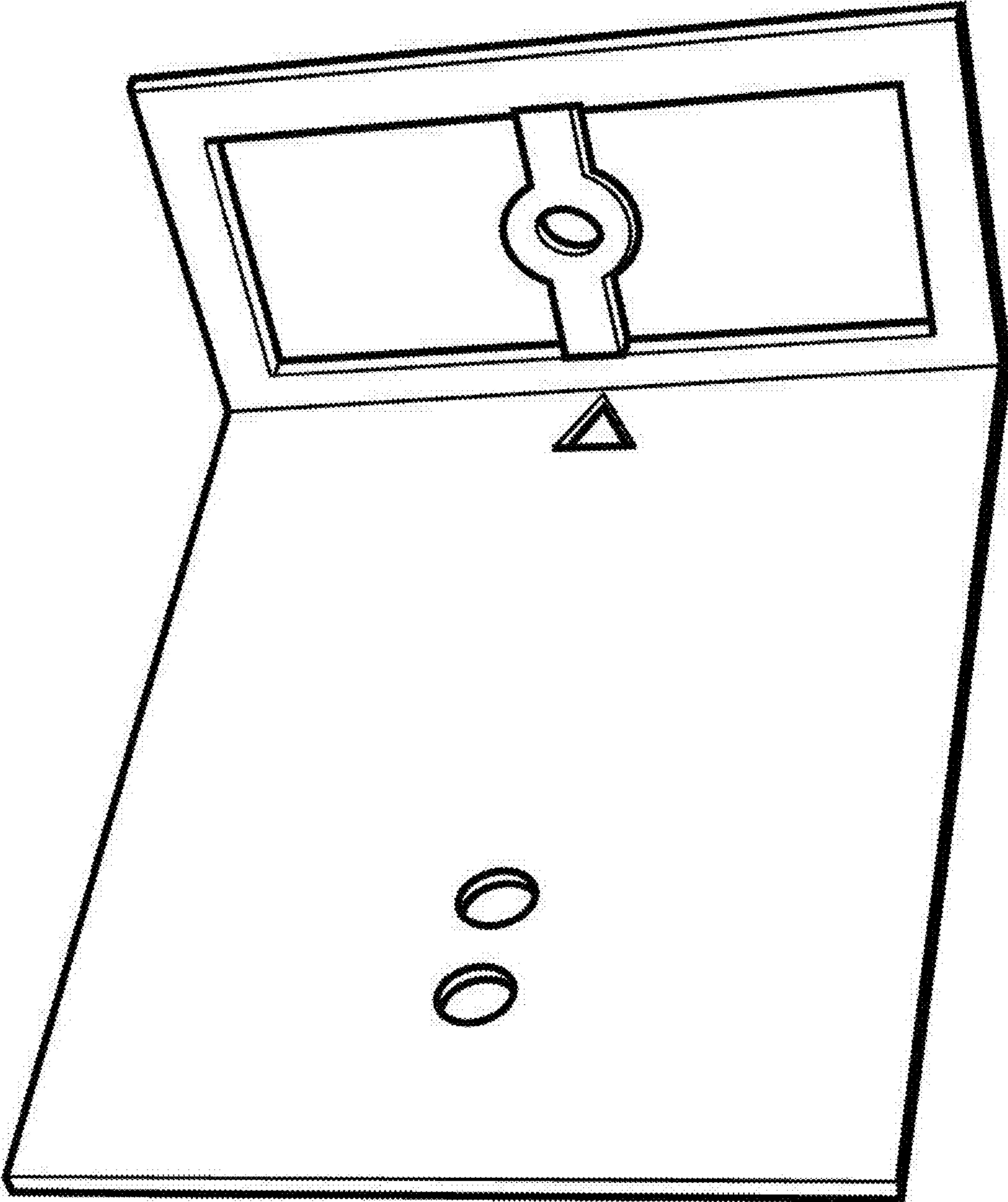


Fig. 2

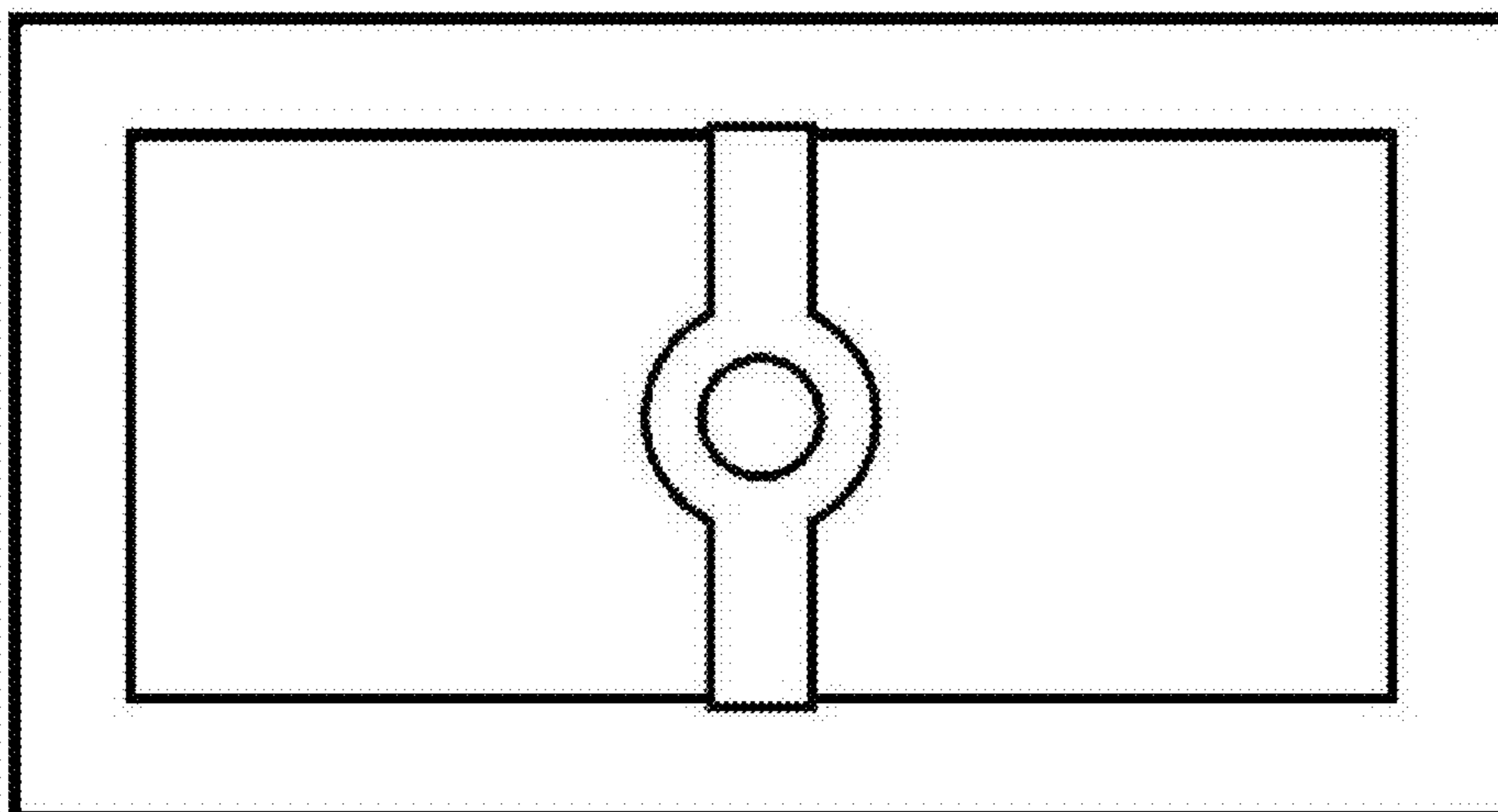


Fig. 3

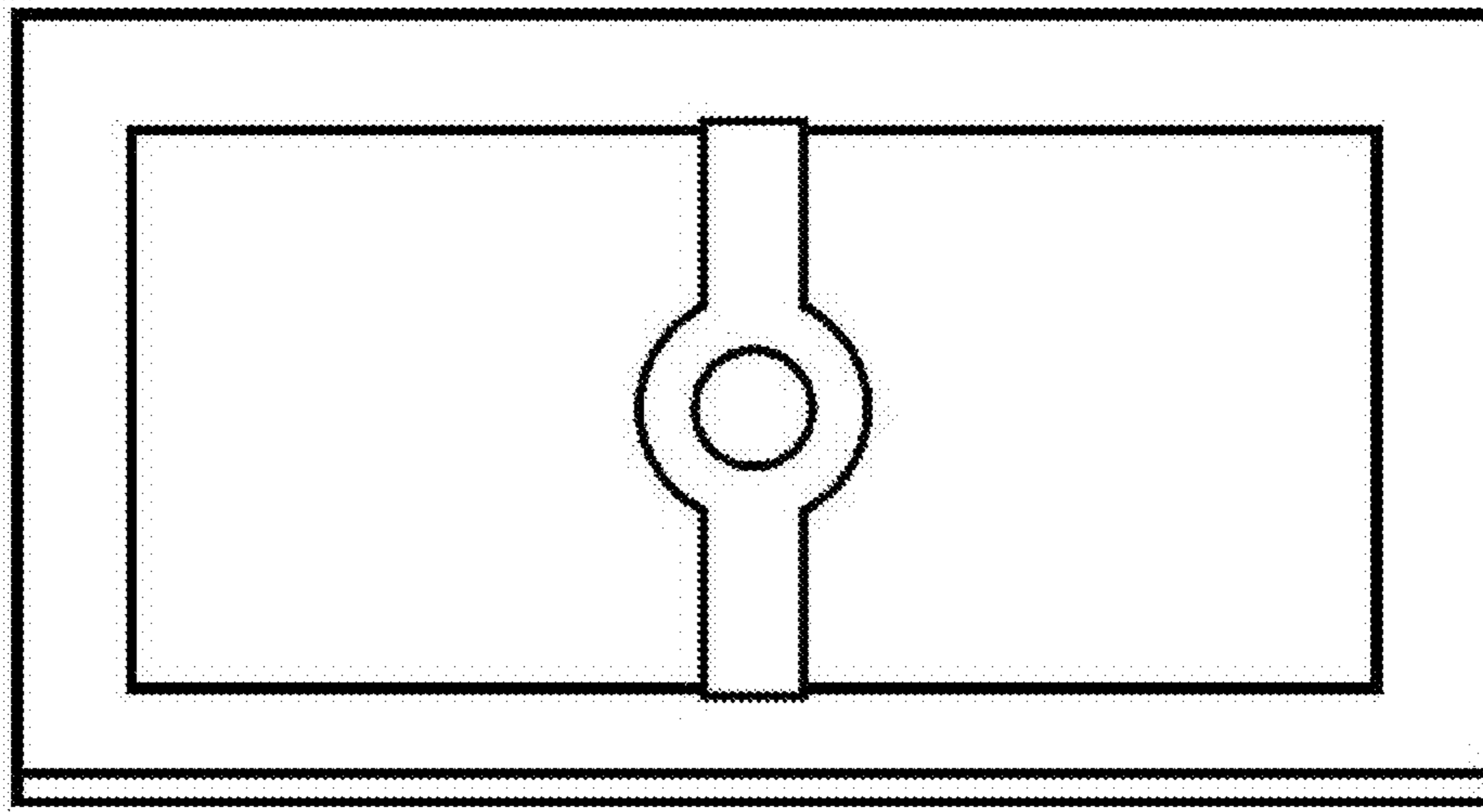


Fig. 4

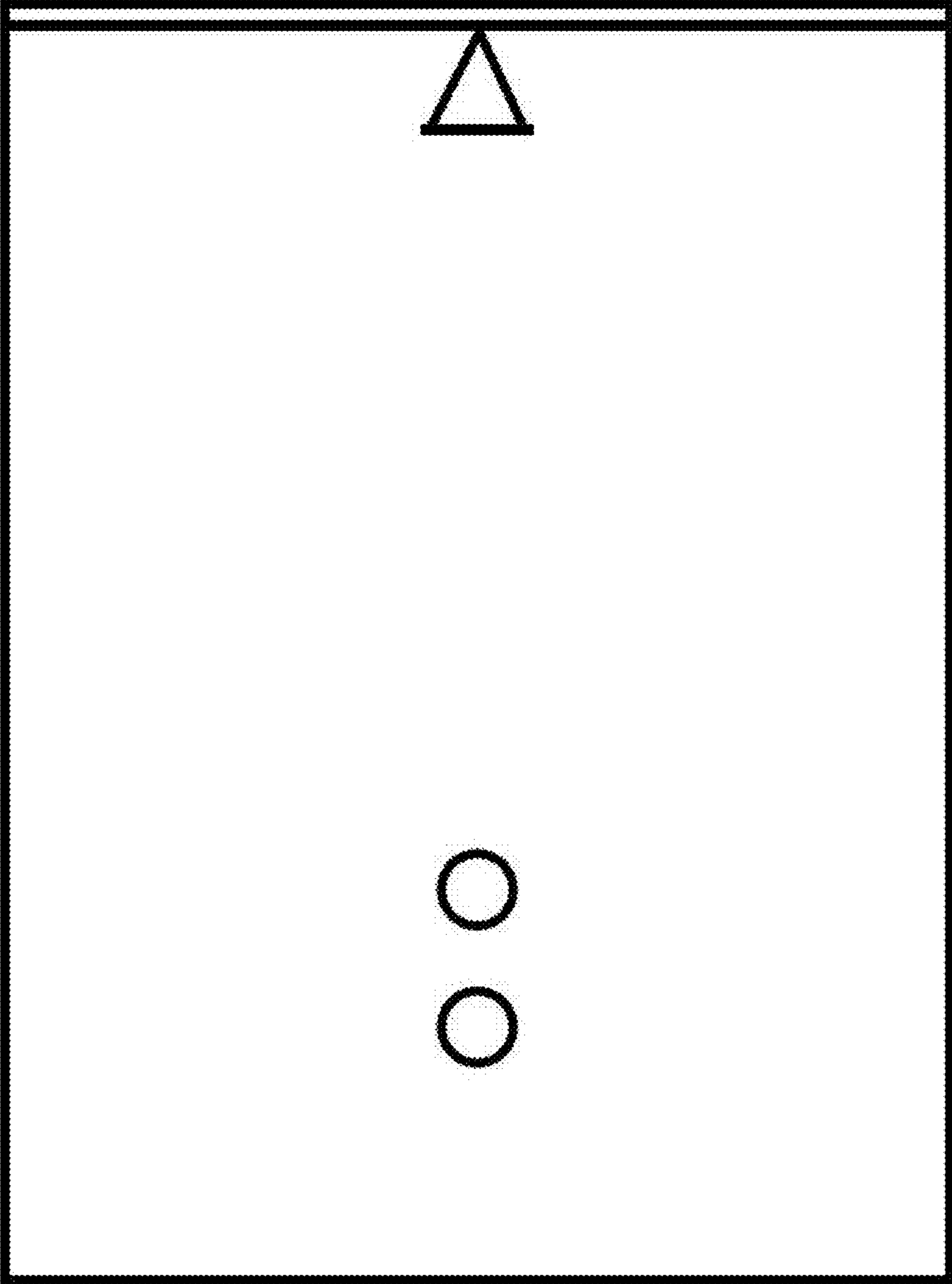


Fig. 5

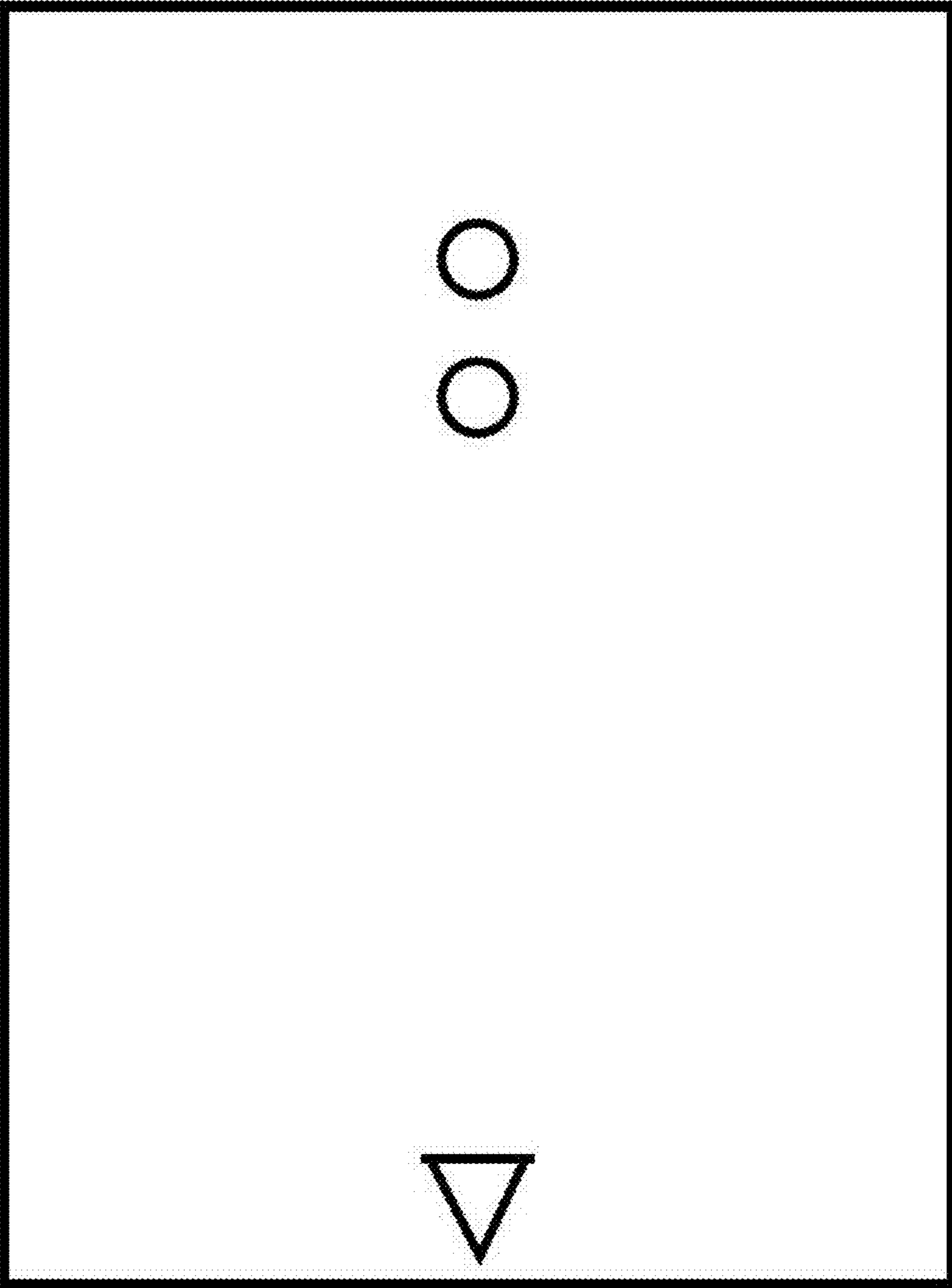


Fig. 6

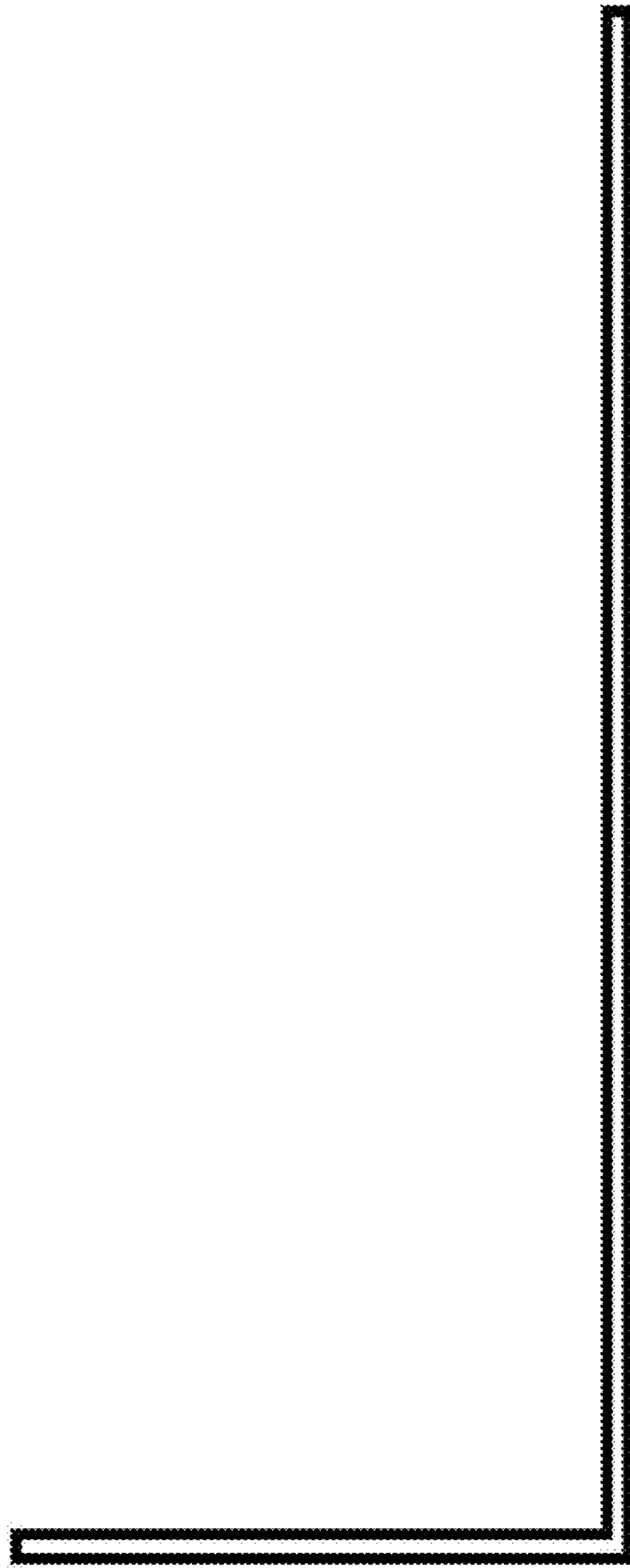


Fig. 7



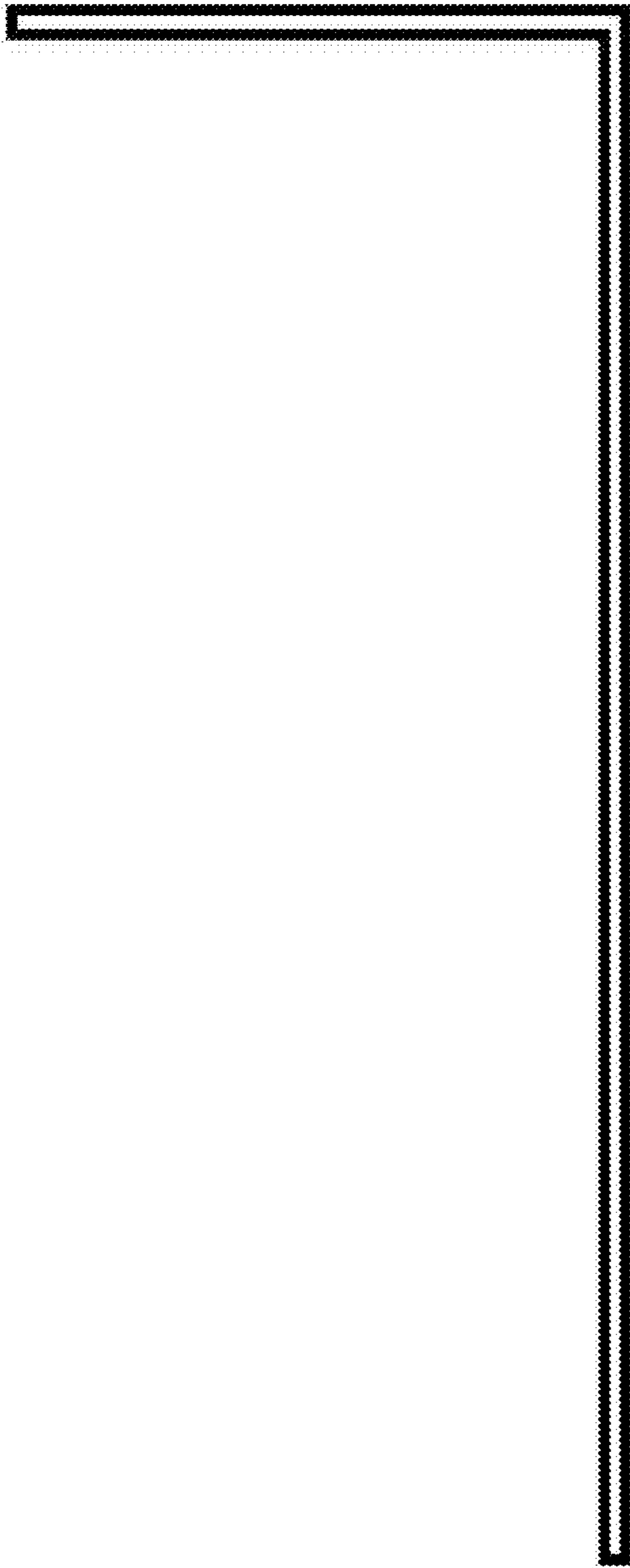


Fig. 8