



US00D781724S

(12) **United States Design Patent** (10) **Patent No.:** **US D781,724 S**
Abdourahim (45) **Date of Patent:** **** Mar. 21, 2017**

(54) **WRISTWATCH CASE**

(71) Applicant: **HARRY WINSTON SA,**
Plan-les-Ouates (CH)

(72) Inventor: **Delphine Abdourahim,** New York, NY
(US)

(73) Assignee: **HARRY WINSTON SA,**
Plan-les-Ouates (CH)

(**) Term: **15 Years**

(21) Appl. No.: **29/538,494**

(22) Filed: **Sep. 3, 2015**

(30) **Foreign Application Priority Data**

Mar. 3, 2015 (WO) DM/085 760

(51) **LOC (10) Cl.** **10-02**

(52) **U.S. Cl.**
USPC **D10/39**

(58) **Field of Classification Search**
USPC D10/132; D14/344, 138 R; 368/294
CPC G04B 19/00; G04B 19/06; G04B 39/00;
G04B 39/002; G04B 39/004; G04B
39/006; G04F 7/06; A01G 25/165; B05B
12/02

See application file for complete search history.

(56) **References Cited**

U.S. PATENT DOCUMENTS

| | | | | |
|--------------|---------|----------|-------|-----------|
| D153,312 S * | 4/1949 | Phillipe | | D11/12 |
| D362,397 S * | 9/1995 | Helleu | | D10/30 |
| D367,820 S * | 3/1996 | Helleu | | 24/265 WS |
| D468,226 S * | 1/2003 | Upton | | D11/11 |
| D469,374 S * | 1/2003 | Calvani | | D11/16 |
| D743,276 S * | 11/2015 | Riviere | | D10/125 |
| D743,277 S * | 11/2015 | Riviere | | D10/125 |
| D758,212 S * | 6/2016 | Candamil | | D10/32 |
| D758,213 S * | 6/2016 | Candamil | | D10/32 |

* cited by examiner

Primary Examiner — Sandra Snapp

(74) *Attorney, Agent, or Firm* — Donald J. Ranft; Collen IP

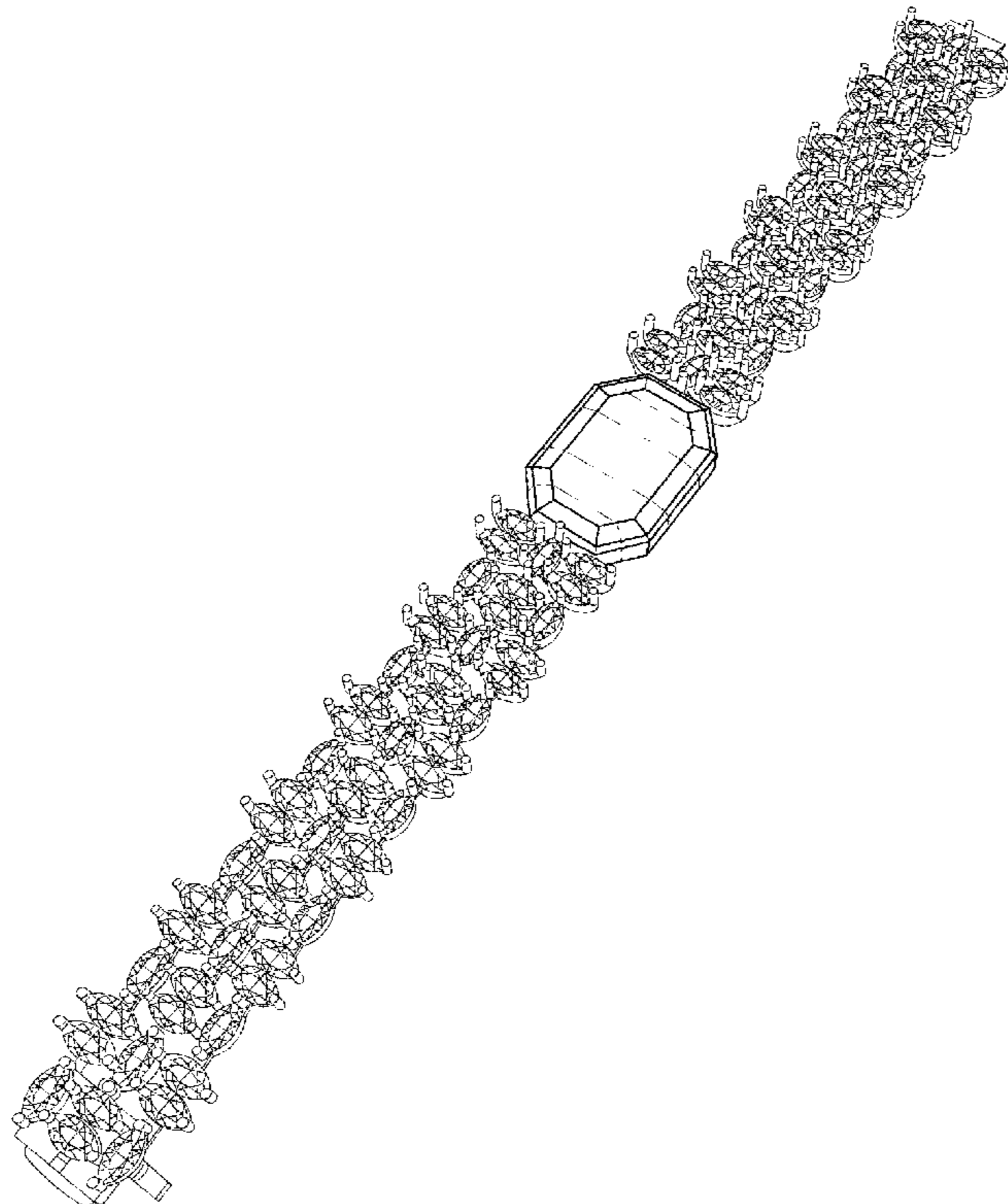
(57) **CLAIM**

The ornamental design for a wristwatch case, as shown.

DESCRIPTION

FIG. 1 is a front right perspective view of a wristwatch case showing my new design;
 FIG. 2 is a front view thereof;
 FIG. 3 is a rear view thereof;
 FIG. 4 is a rear left perspective view thereof;
 FIG. 5 is a right side view thereof;
 FIG. 6 is a left side view thereof;
 FIG. 7 is a bottom view thereof; and,
 FIG. 8 is a top thereof.

1 Claim, 5 Drawing Sheets



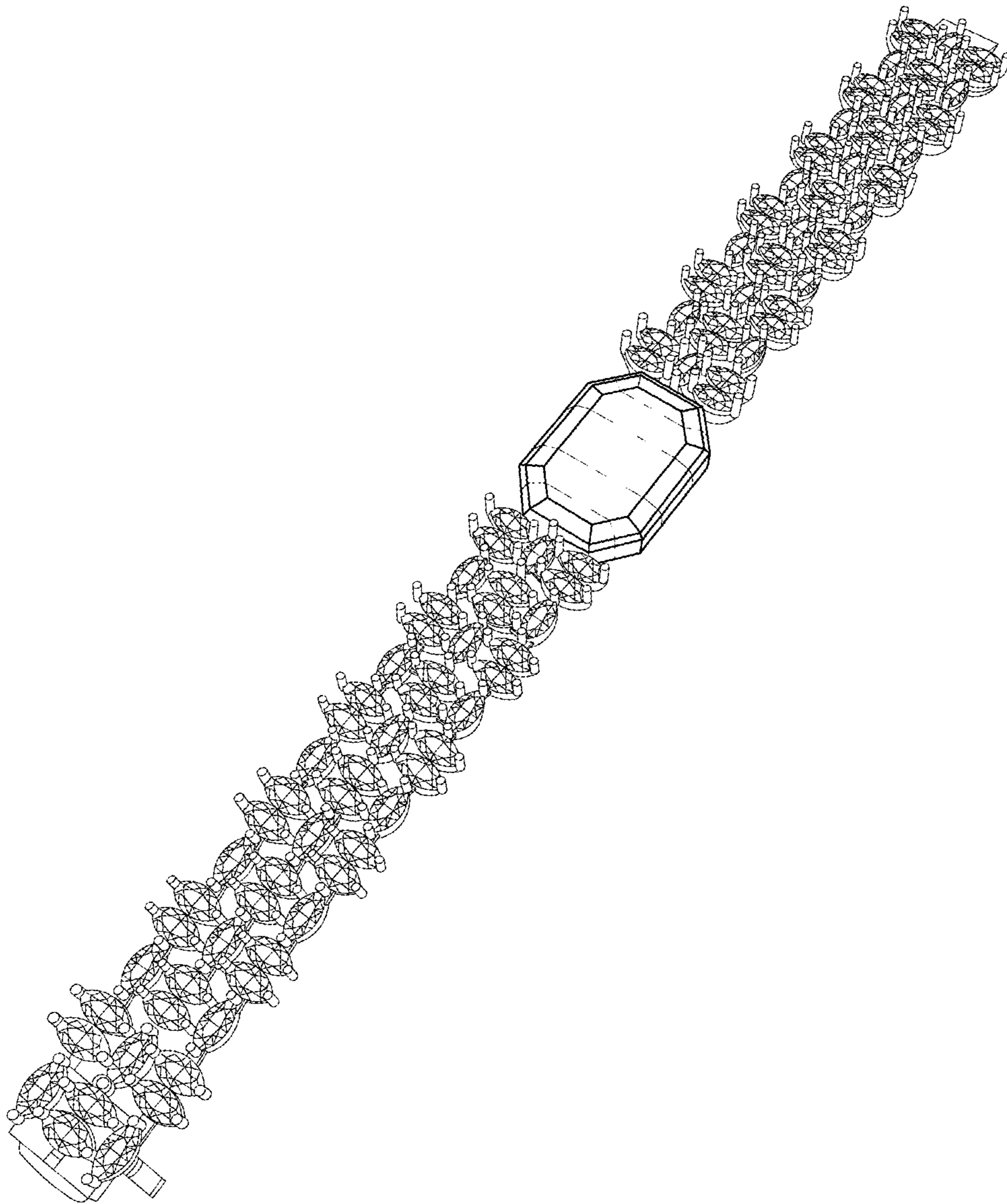


Figure 1

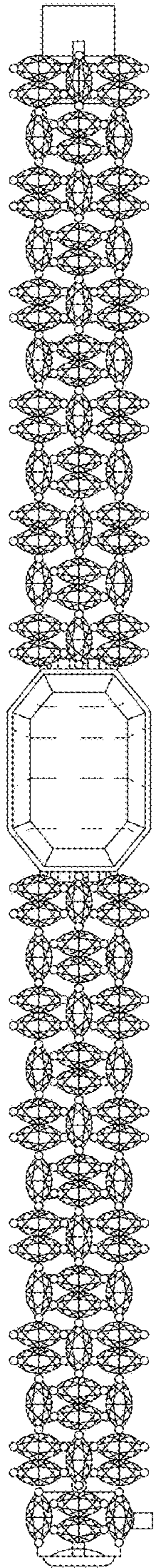


Figure 2

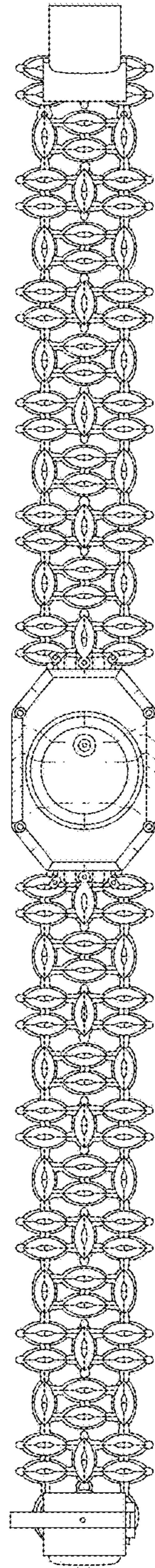


Figure 3

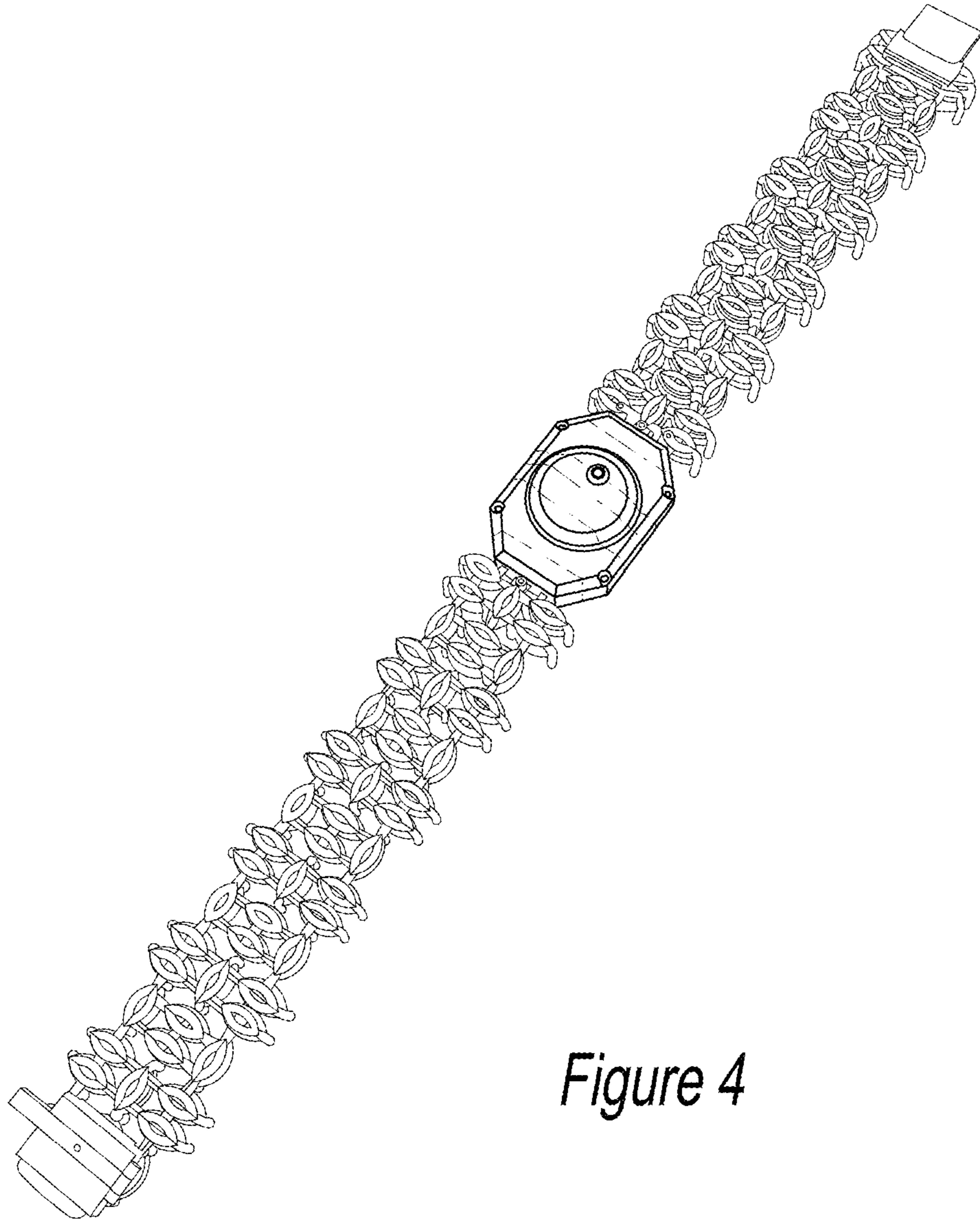


Figure 4

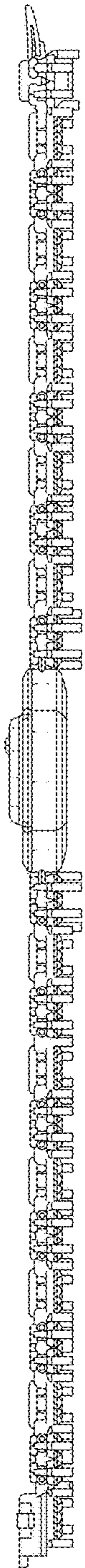


Figure 5



Figure 6

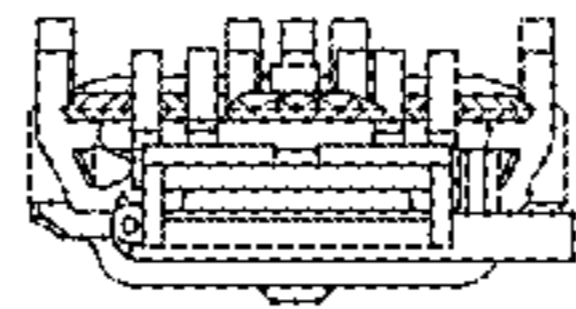


Figure 7

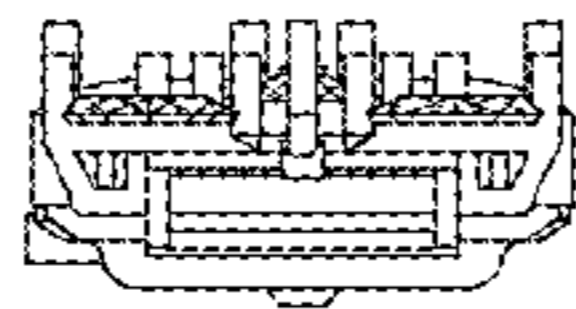


Figure 8